



US00D329835S

United States Patent [19]

Scheinrock

[11] Patent Number: Des. 329,835

[45] Date of Patent: ** Sep. 29, 1992

[54] **BABY'S WALKER TRAY**

[75] Inventor: **Jeffrey I. Scheinrock**, Sherman Oaks, Calif.

[73] Assignee: **Phoenix Prams, Inc.**, Woodland Hills, Calif.

[**] Term: **14 Years**

[21] Appl. No.: **678,632**

[22] Filed: **Apr. 1, 1991**

[52] U.S. Cl. **D12/133**

[58] Field of Search **D12/133, 130; D21/63, D21/62**

D. 297,550 9/1988 Chuk-Sun D21/63
 D. 302,988 8/1989 Zinter-Chahin D21/63
 D. 308,657 6/1990 Hu D12/130

Primary Examiner—Kay H. Chin
Attorney, Agent, or Firm—Lewis Anten

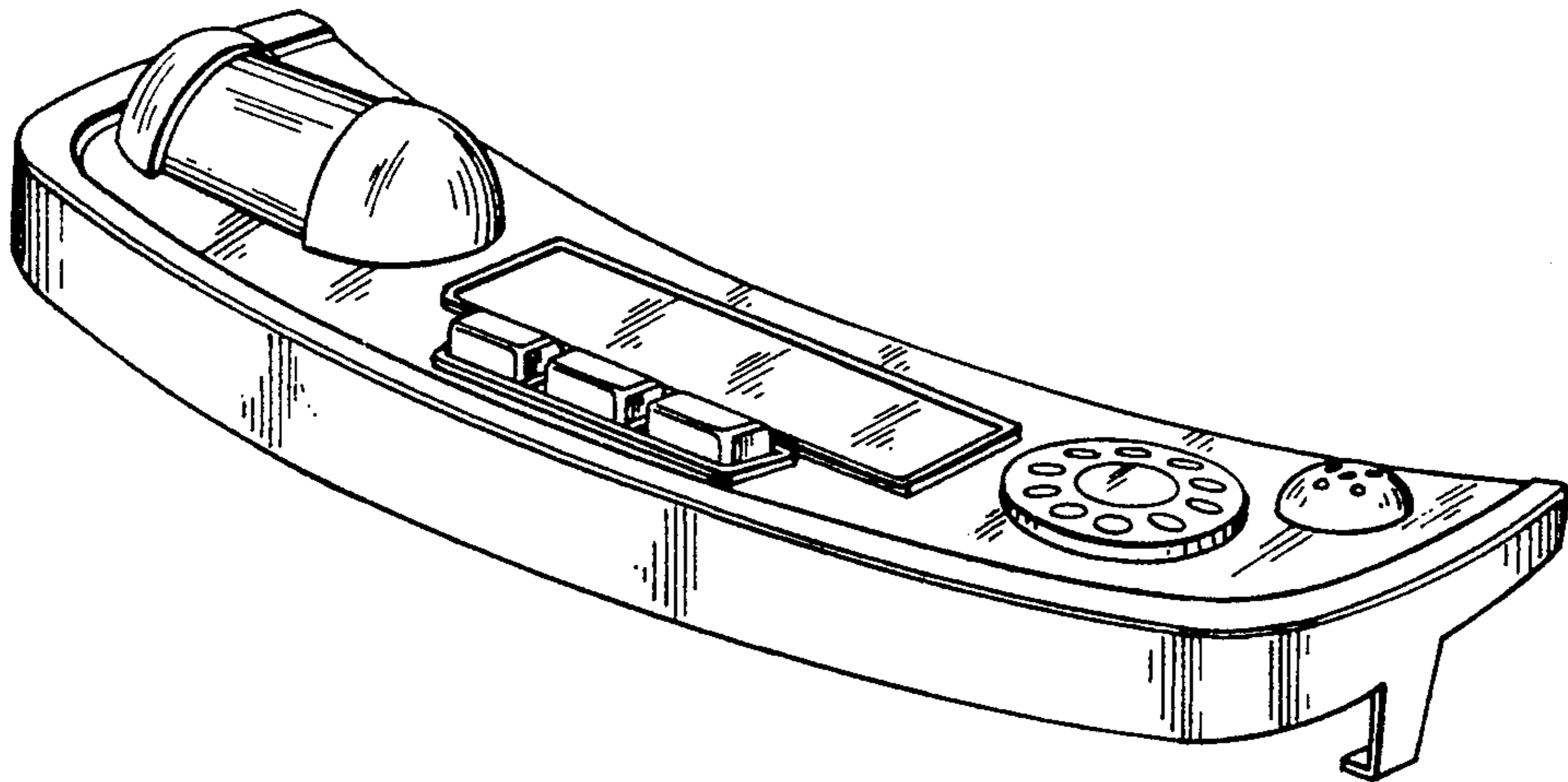
[57] CLAIM

The ornamental design for a baby's walker tray, as shown.

DESCRIPTION

FIG. 1 is a top perspective view of a baby's walker tray showing my new design;
 FIG. 2 is a top plan view thereof;
 FIG. 3 is a front elevational view thereof;
 FIG. 4 is a left side elevational view thereof;
 FIG. 5 is a right side elevational view thereof;
 FIG. 6 is a rear elevational view thereof; and,
 FIG. 7 is a bottom plan view thereof.

[56] **References Cited**
U.S. PATENT DOCUMENTS
 D. 281,516 11/1985 Wong D21/63



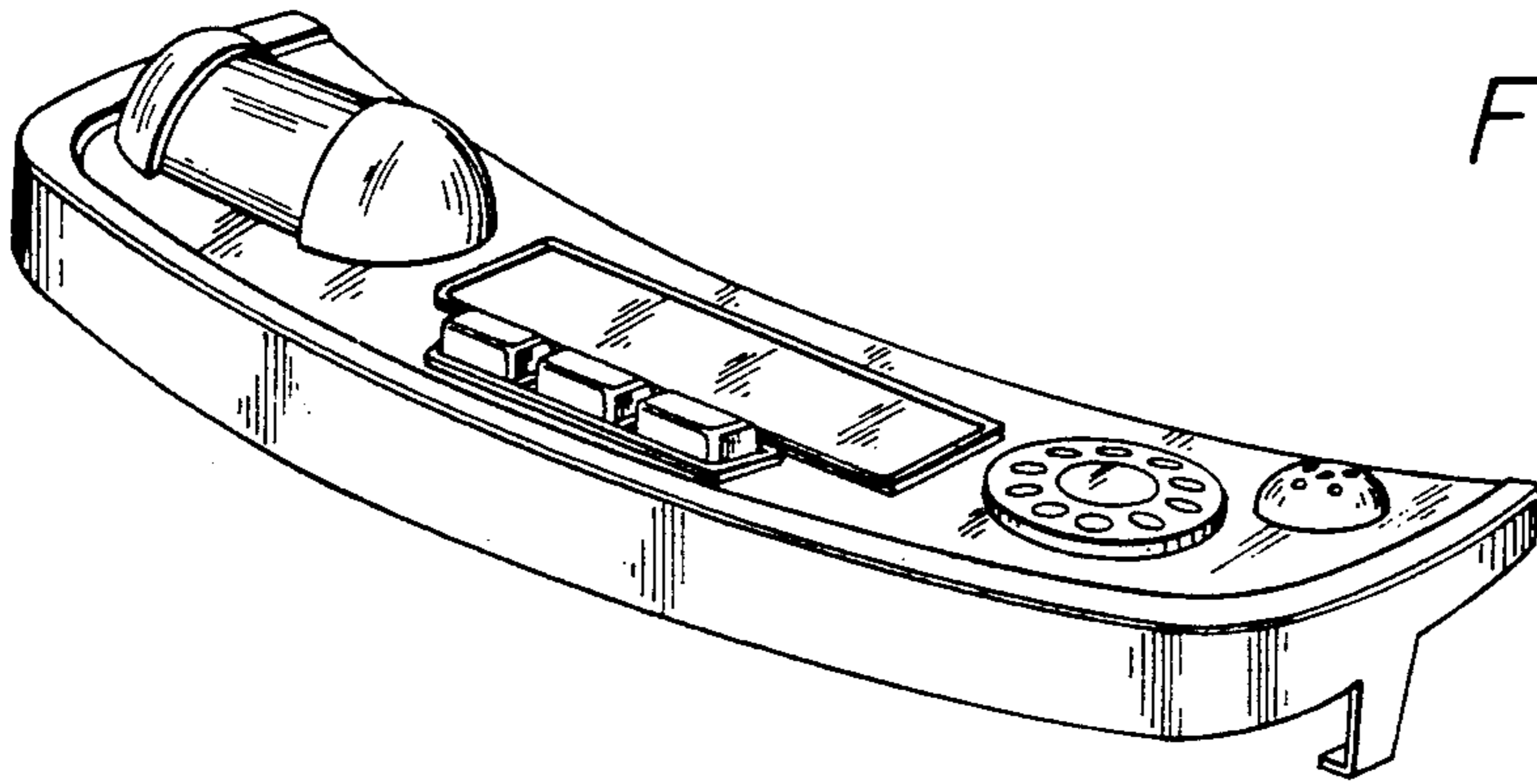


FIG. 1

FIG. 2

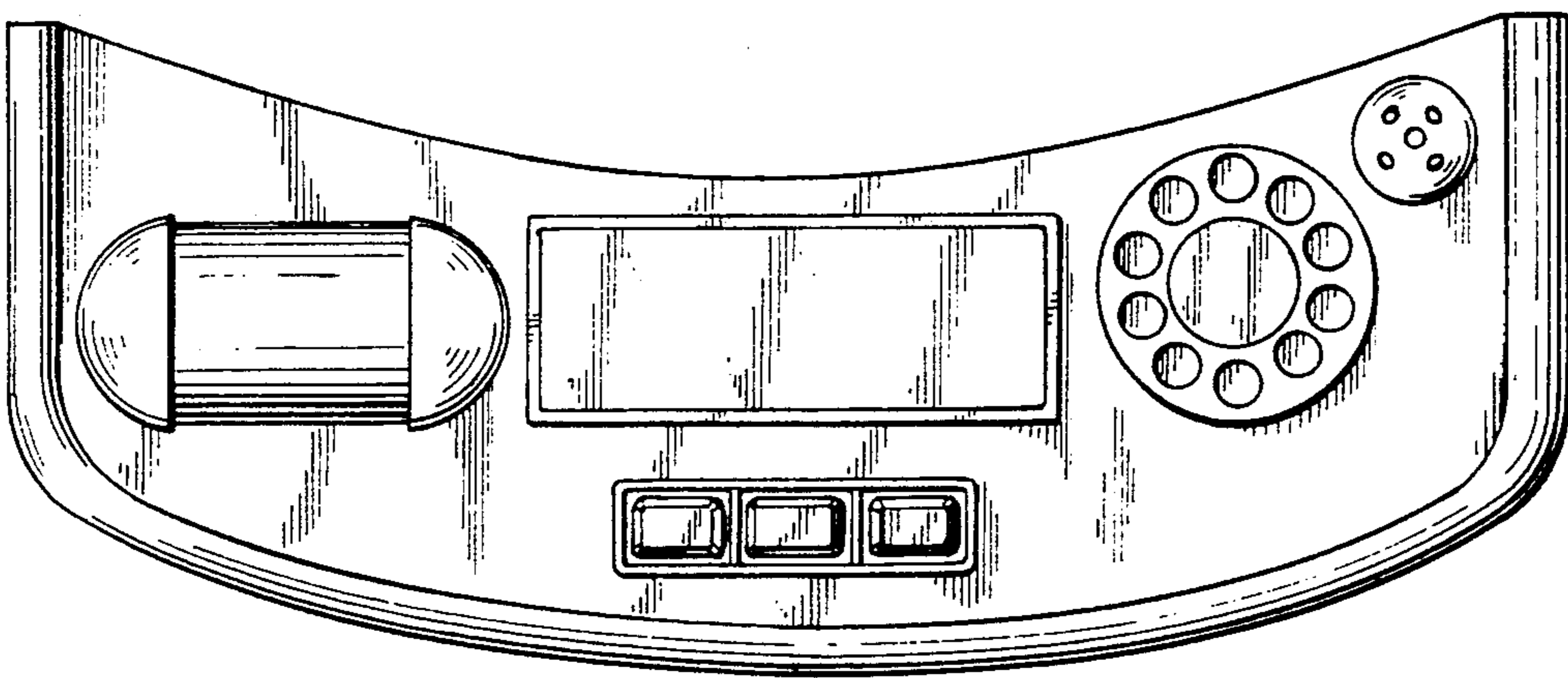
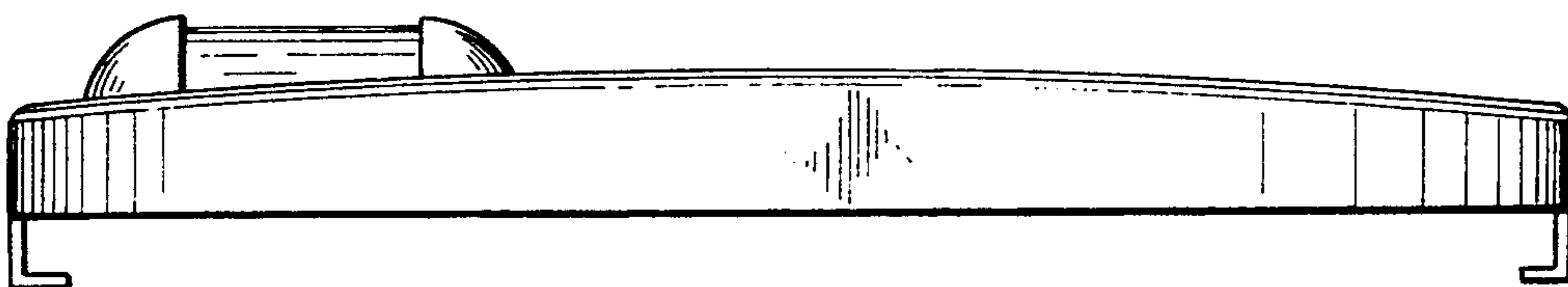


FIG. 3



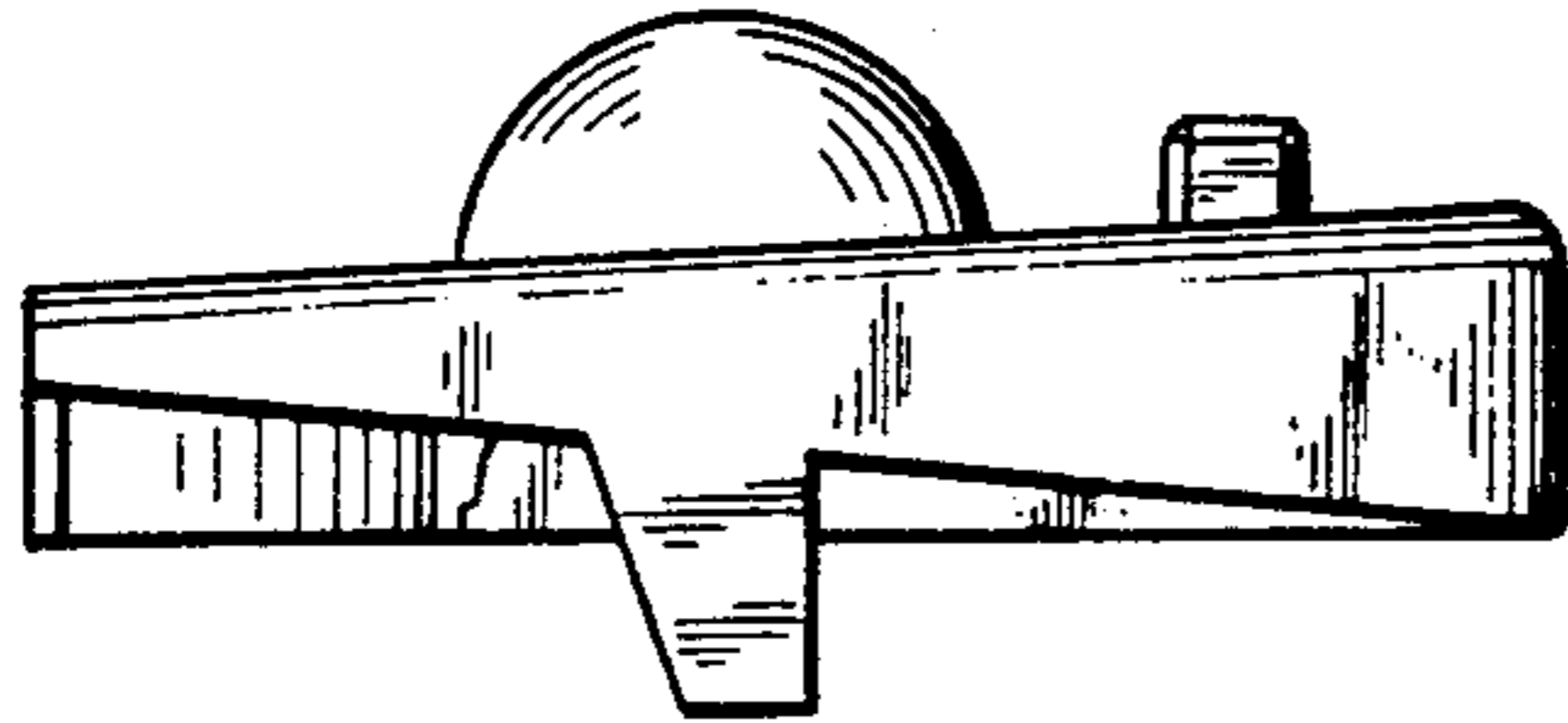


FIG. 4

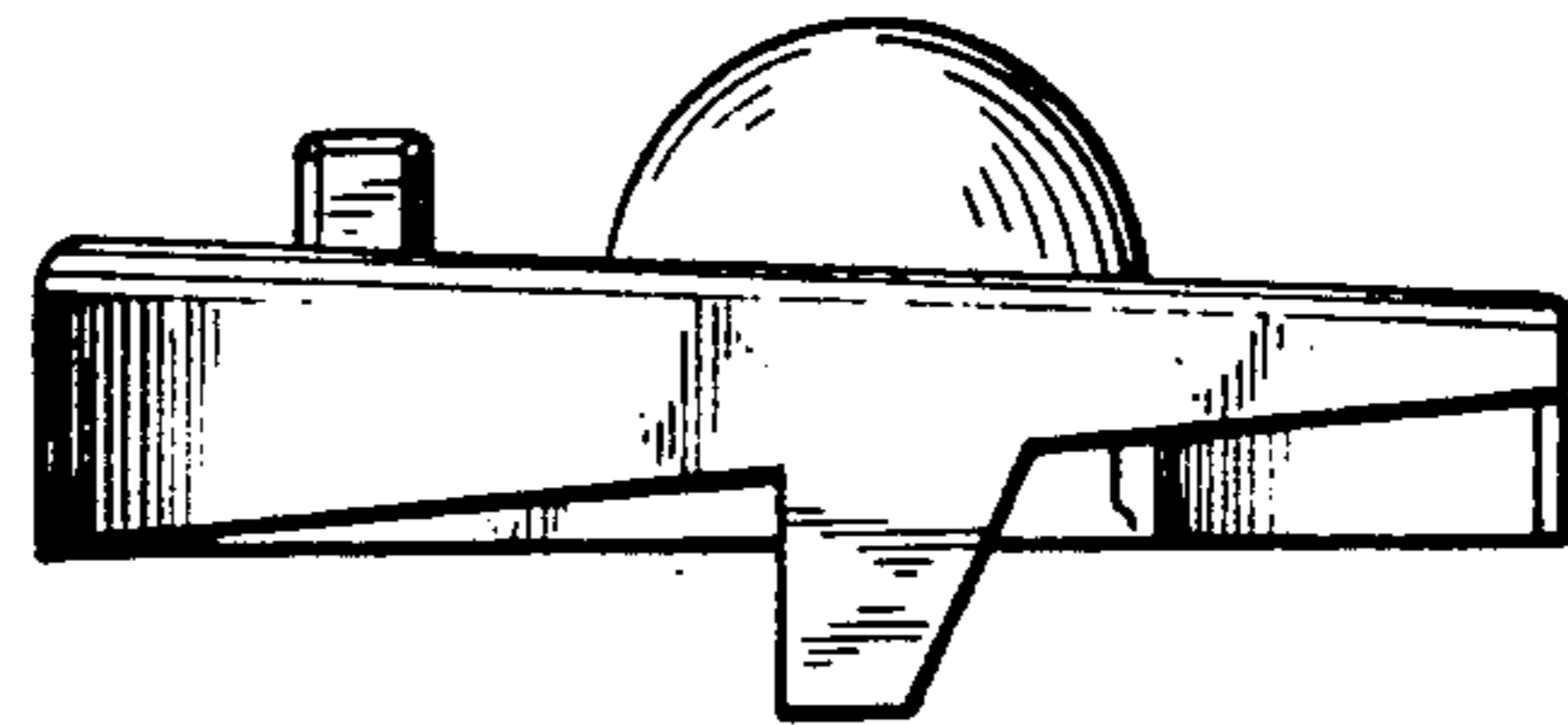


FIG. 5

FIG. 6

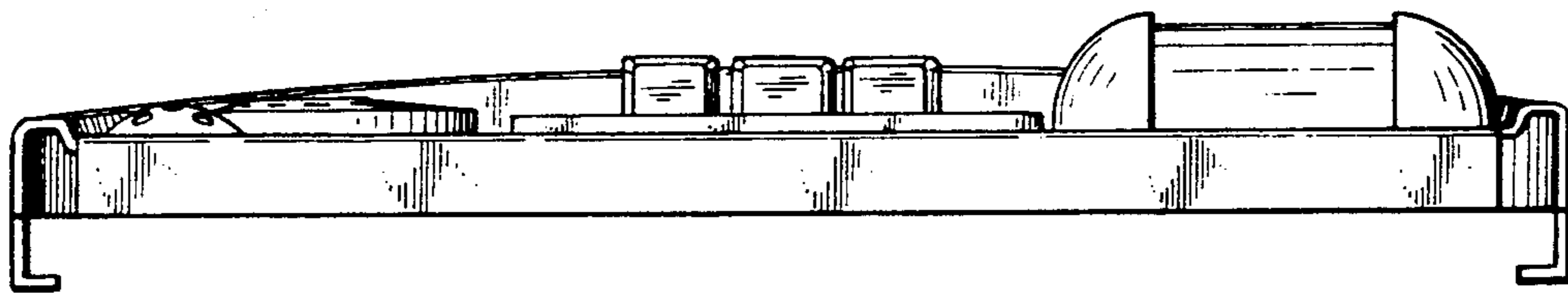


FIG. 7

