



US00D329829S

United States Patent [19]

[11] Patent Number: **Des. 329,829**

Mangino et al.

[45] Date of Patent: **** Sep. 29, 1992**

[54] **RECYCLING UNIT FOR WASTE COLLECTION VEHICLE**

[76] Inventors: **Rudolfo Mangino; Rudolfo Mangino, Jr.; Virgil Collins**, all of 53-24 98th St., Corona, Queens, N.Y. 11368

[**] Term: **14 Years**

[21] Appl. No.: **569,462**

[22] Filed: **Aug. 20, 1990**

[52] U.S. Cl. **D12/15**

[58] Field of Search **D12/15; 414/406-411, 414/498, 546, 552, 555; 296/184, 56**

[56] **References Cited**

U.S. PATENT DOCUMENTS

4,979,866	12/1990	Croy	396/184
5,018,929	5/1991	Carson	414/408
5,059,081	10/1991	Brown et al.	414/555
5,074,740	12/1991	Weigel	414/555

Primary Examiner—Wallace R. Burke
Assistant Examiner—Melody Brown
Attorney, Agent, or Firm—Mark T. Basseches; Paula T. Basseches

[57] **CLAIM**

The ornamental design for a recycling unit for waste collection vehicle, as shown and described.

DESCRIPTION

FIG. 1 is a top plan view of a recycling unit for waste collection vehicle showing our new design; FIG. 2 is a right side elevational view thereof; FIG. 3 is a front elevational view thereof; FIG. 4 is a rear elevational view thereof; FIG. 5 is a left side elevation viewed thereof; FIG. 6 is a bottom plan view thereof; and, FIG. 7 is a left side perspective view thereof, is being understood that the broken lines are for illustrative purposes only and form no part of the claimed design.

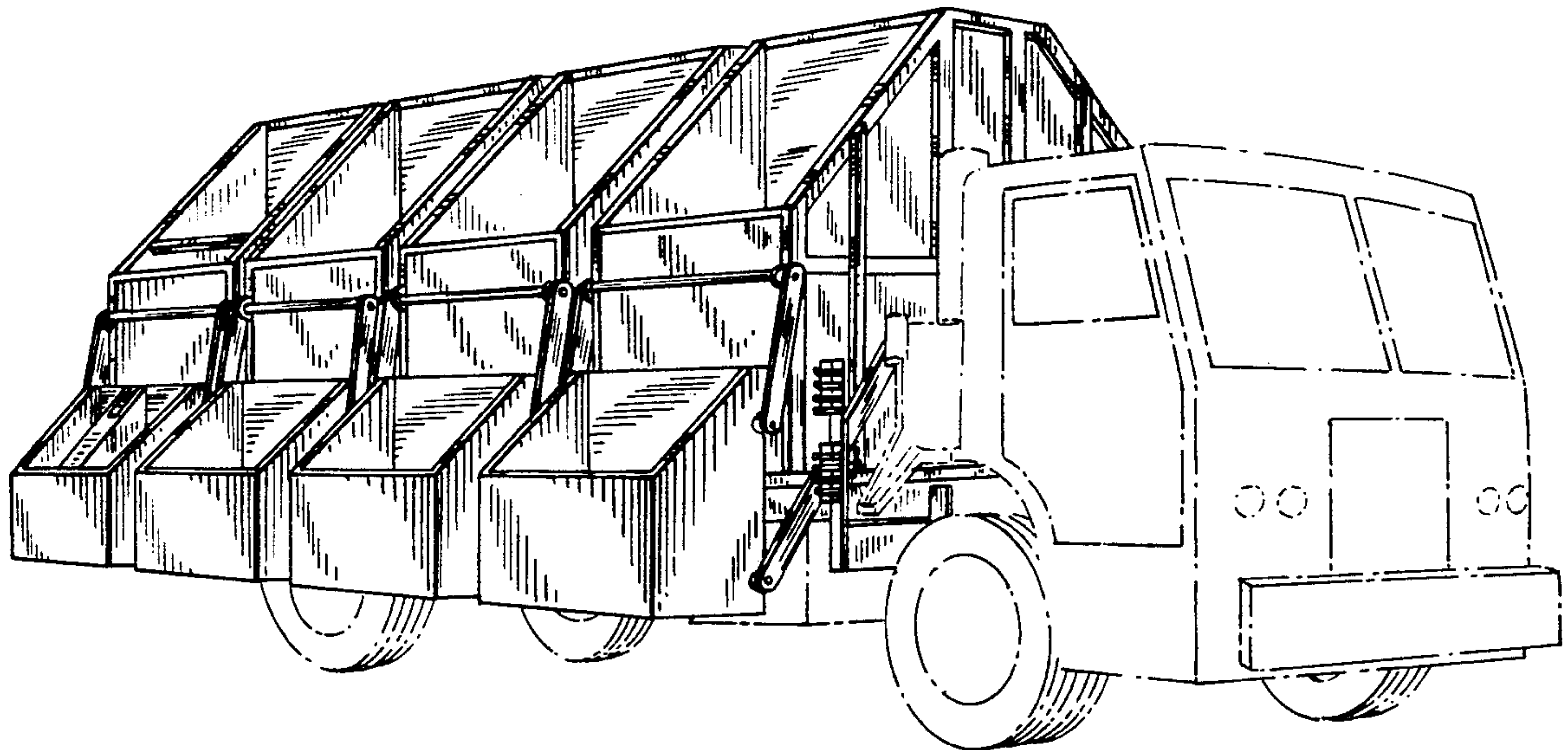


FIG. 1

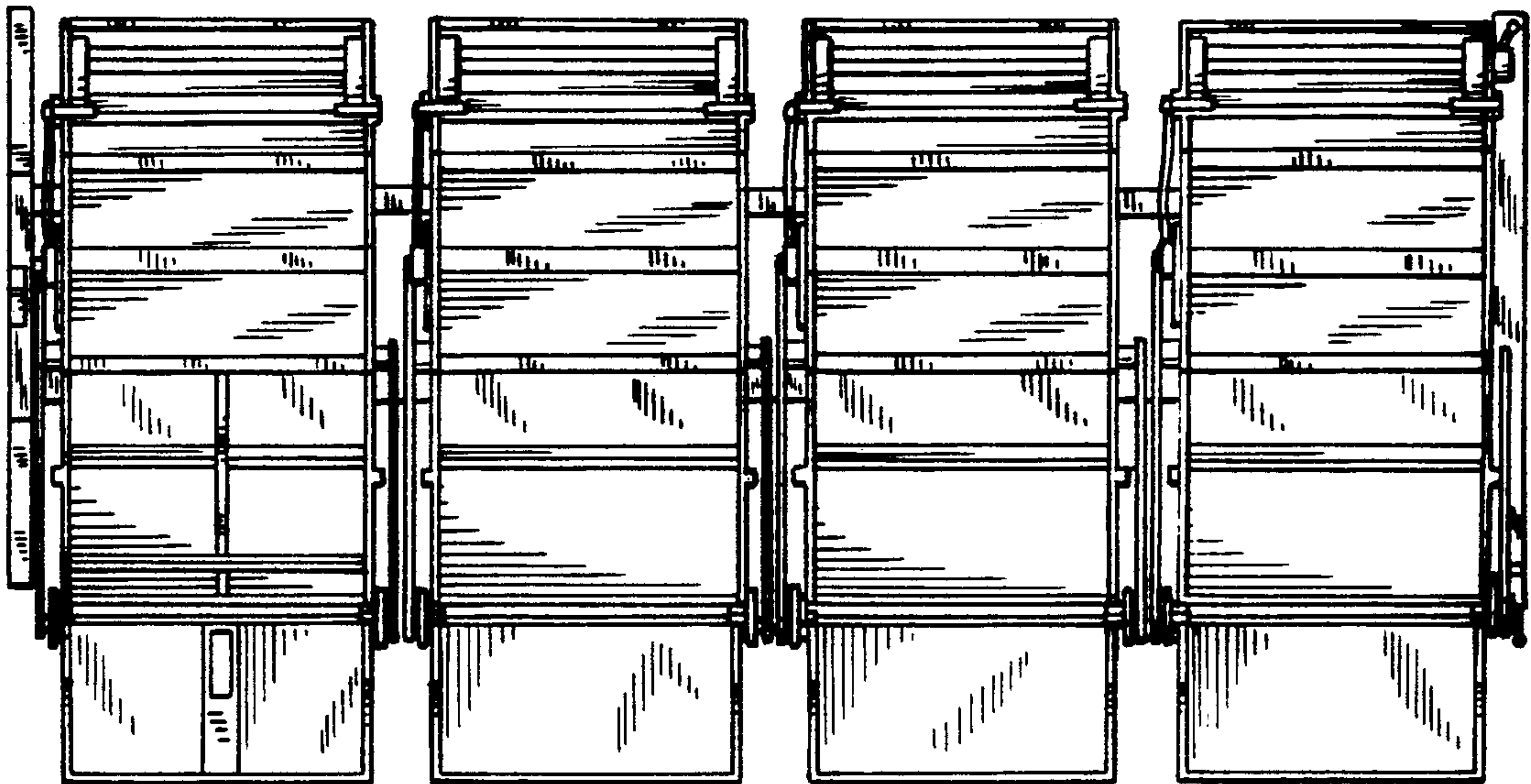


FIG. 2

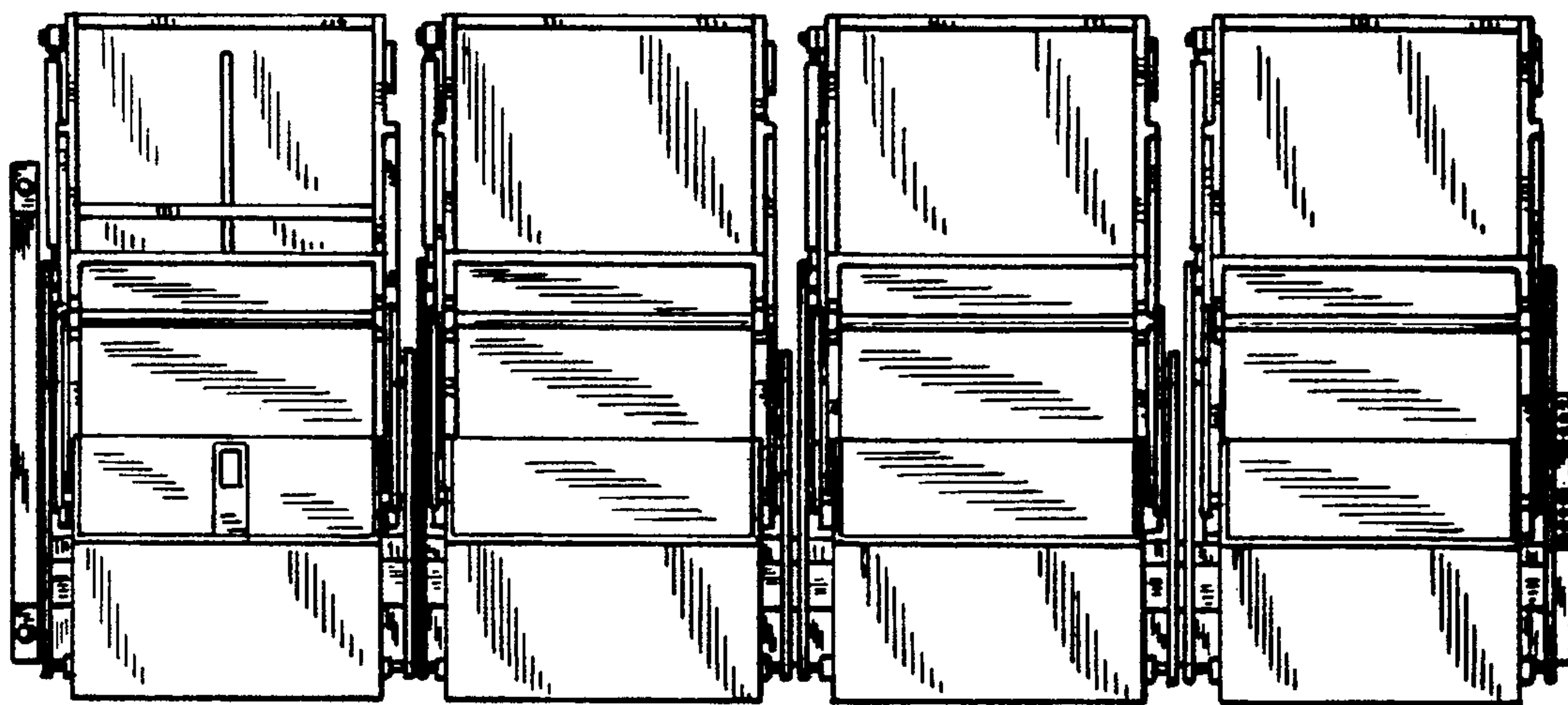


FIG. 3

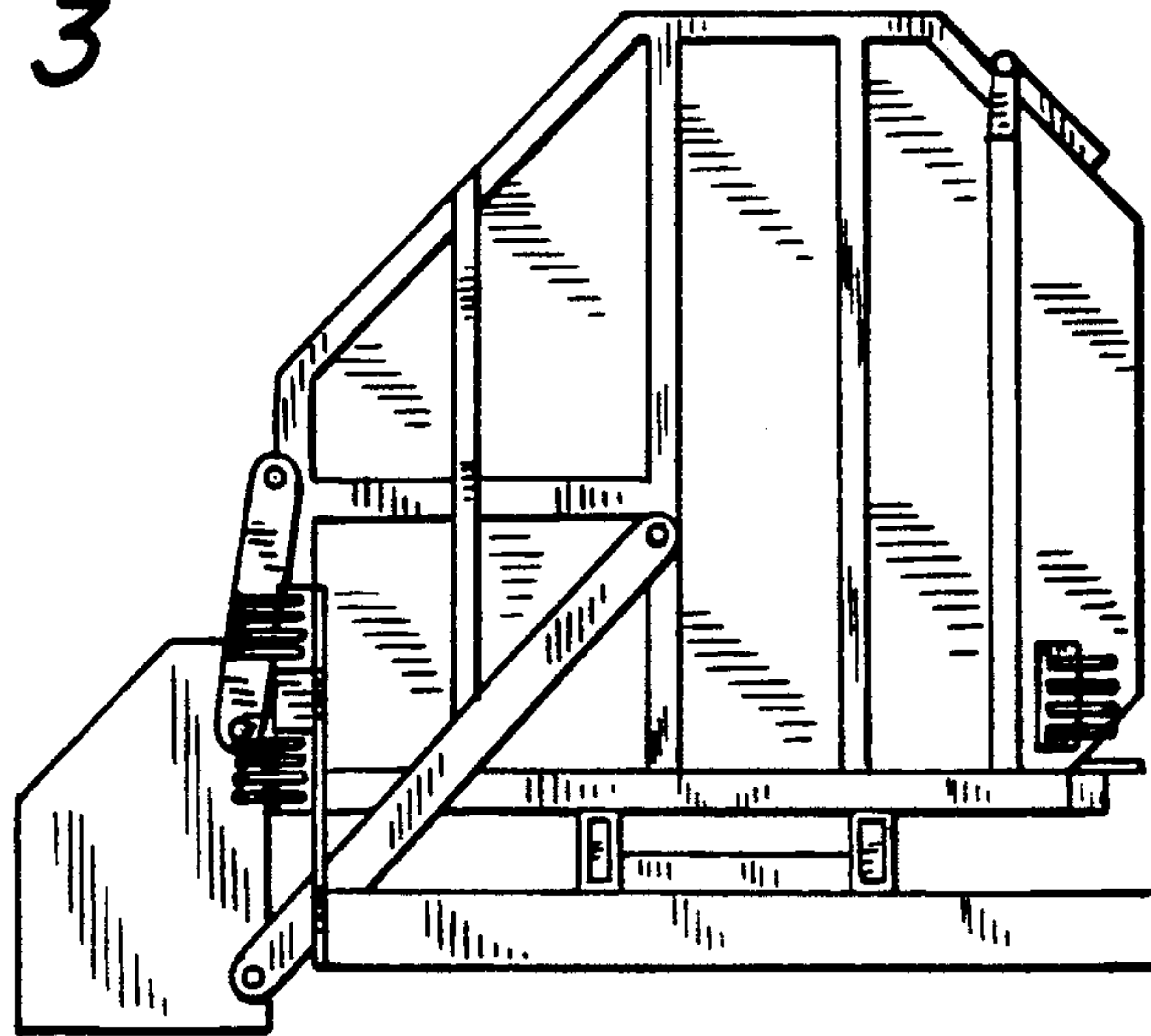


FIG. 4

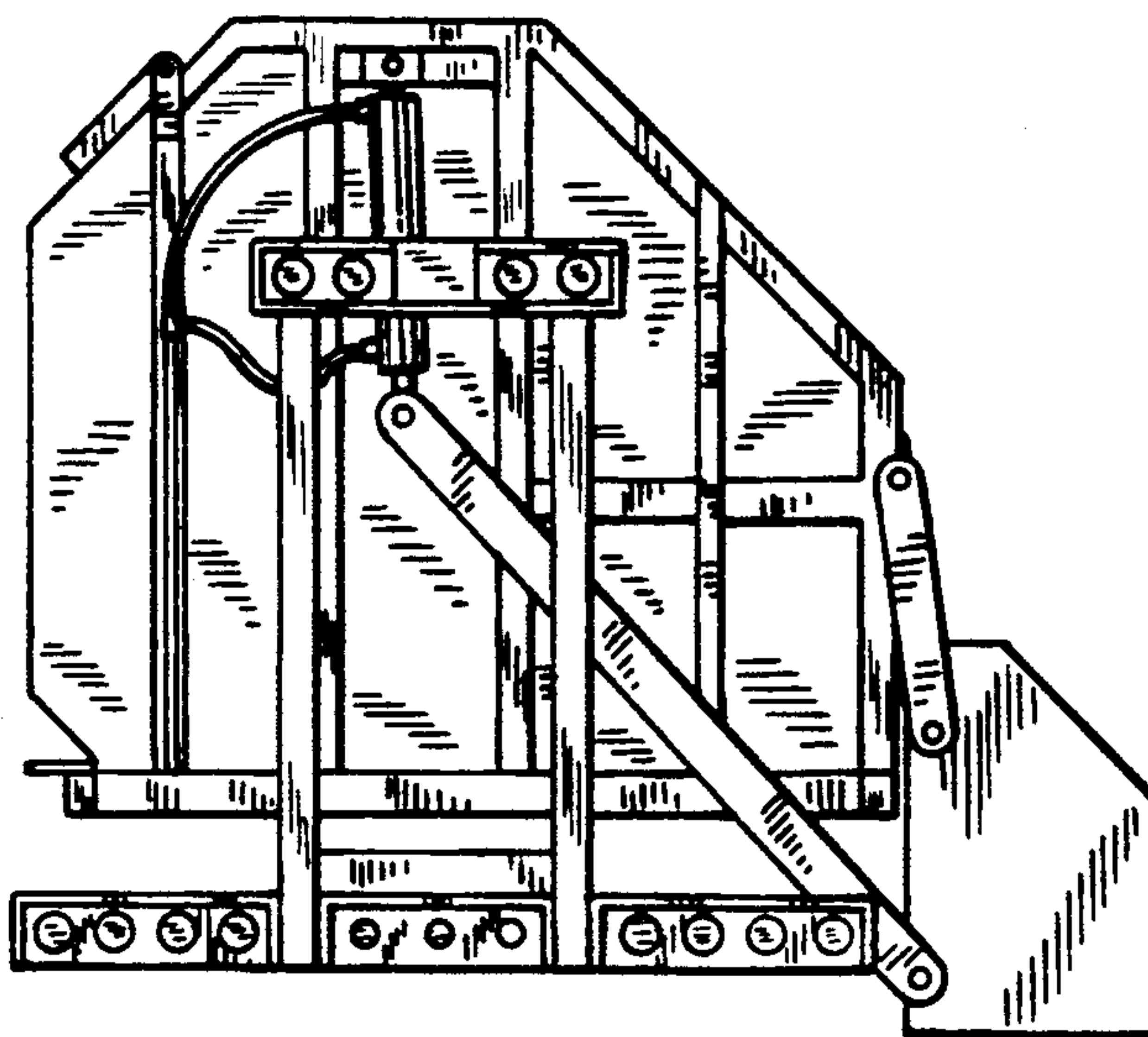


FIG. 5

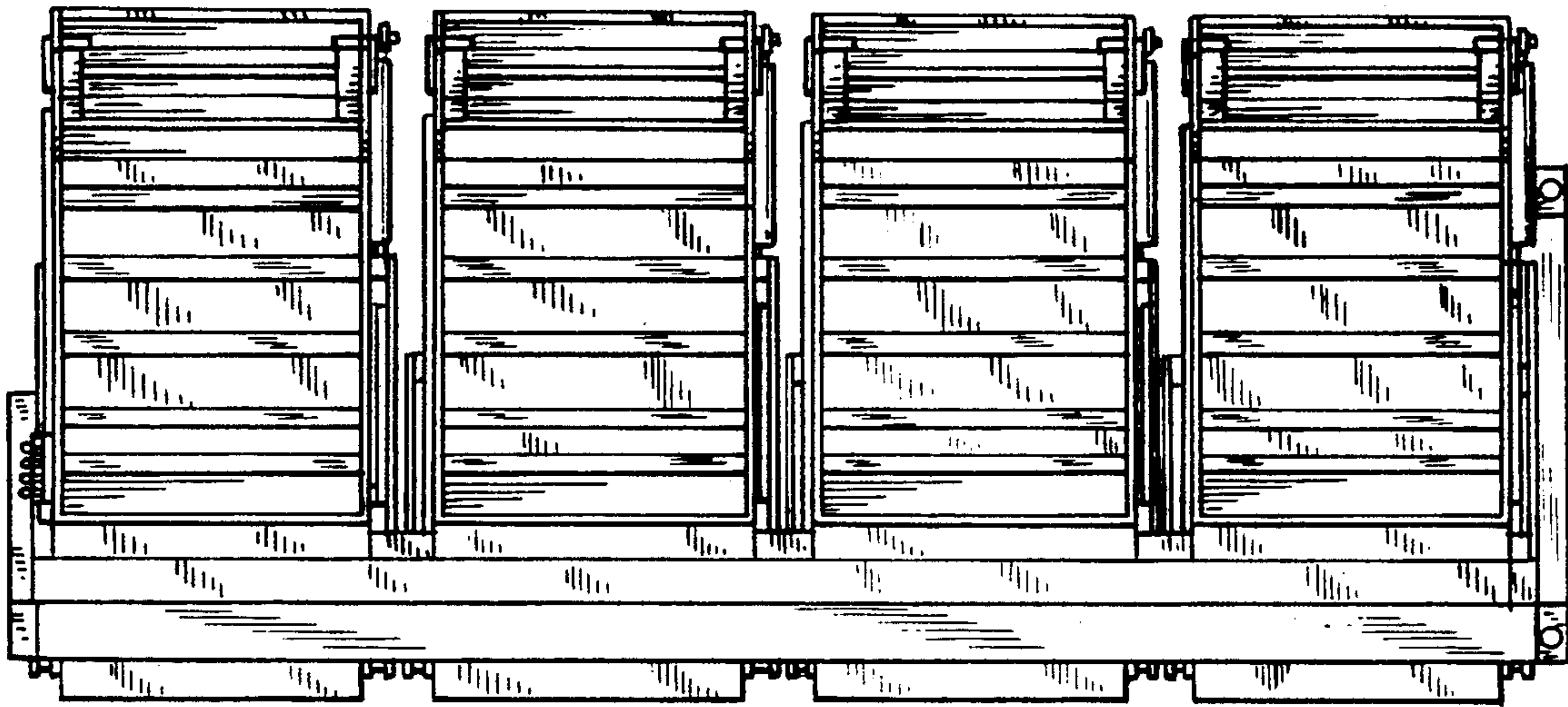


FIG. 6

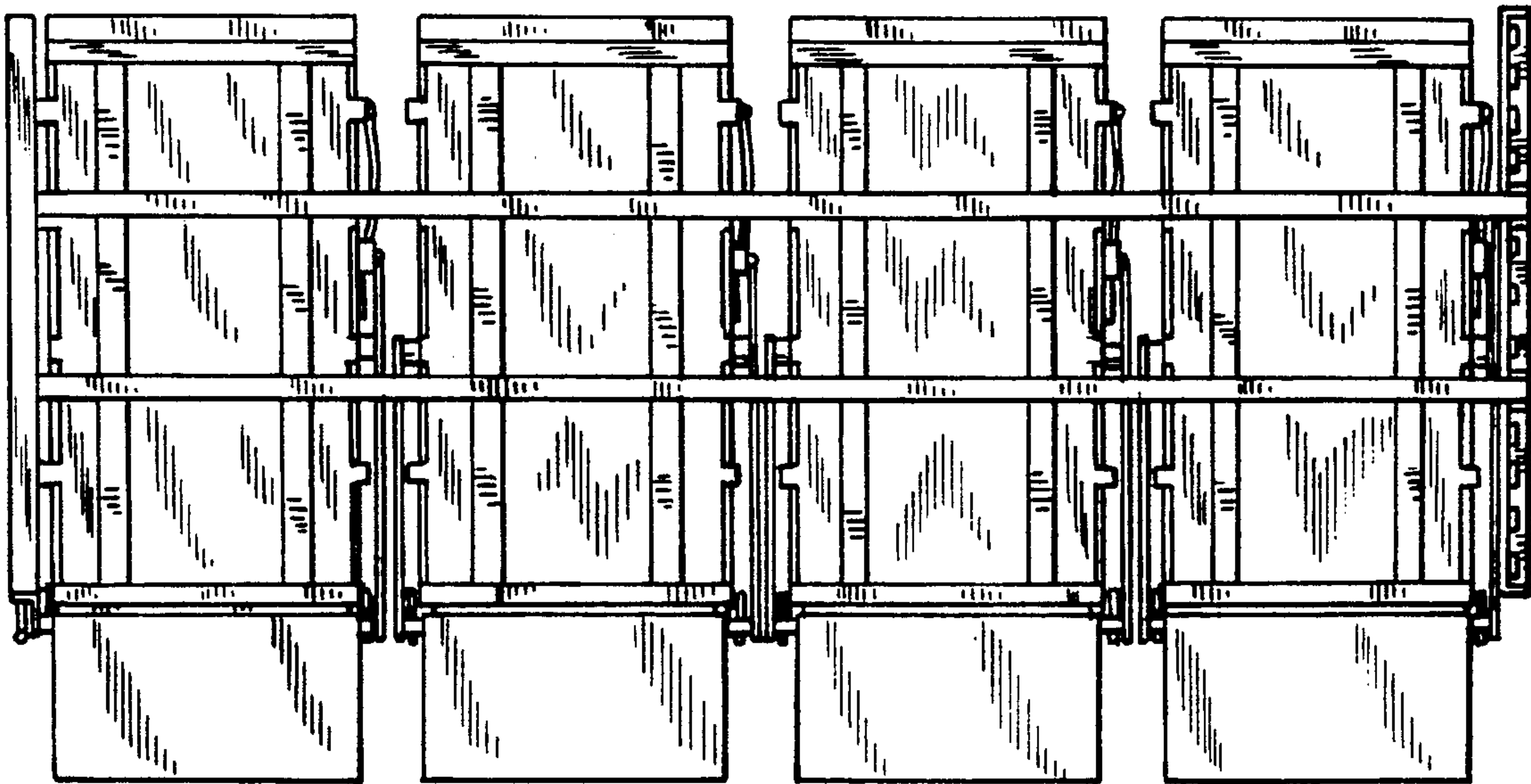


FIG. 7

