



US00D329826S

United States Patent [19]

[11] Patent Number: **Des. 329,826**

Taylor

[45] Date of Patent: **** Sep. 29, 1992**

[54] **LIGHTED TREE ORNAMENT**

[76] Inventor: **Thomas G. Taylor**, Box 486, Liberty, Mo. 64068

2,334,492 11/1943 Janowitz D11/125 X
2,535,219 12/1950 Margolis et al. 362/121
3,400,263 9/1968 Yakim 362/121

[**] Term: **14 Years**

Primary Examiner—Bernard Ansher
Assistant Examiner—Dominic Simone
Attorney, Agent, or Firm—Shook, Hardy & Bacon

[21] Appl. No.: **630,945**

[22] Filed: **Dec. 20, 1990**

[57] **CLAIM**

[52] U.S. Cl. **D11/124**

The ornamental design for a lighted tree ornament, as shown and described.

[58] Field of Search D11/121, 124, 125;
D26/73, 94; 362/121, 807

DESCRIPTION

[56] **References Cited**

U.S. PATENT DOCUMENTS

D. 153,642	5/1949	Silverman	D11/124
D. 244,795	6/1977	O'Hara	D11/125
2,085,343	6/1937	Steeple	D11/125 X
2,145,737	1/1939	Sadacca	362/121
2,153,395	4/1939	Sodoca	362/807 X
2,199,435	5/1940	Koonz	362/121

FIG. 1 is a front elevational view of a lighted tree ornament showing my new design;
FIG. 2 is a left side elevational view thereof, the right side being a mirror image;
FIG. 3 is a rear elevational view thereof;
FIG. 4 is a top plan view thereof;
FIG. 5 is a bottom plan view thereof; and,
FIG. 6 is a perspective view thereof.

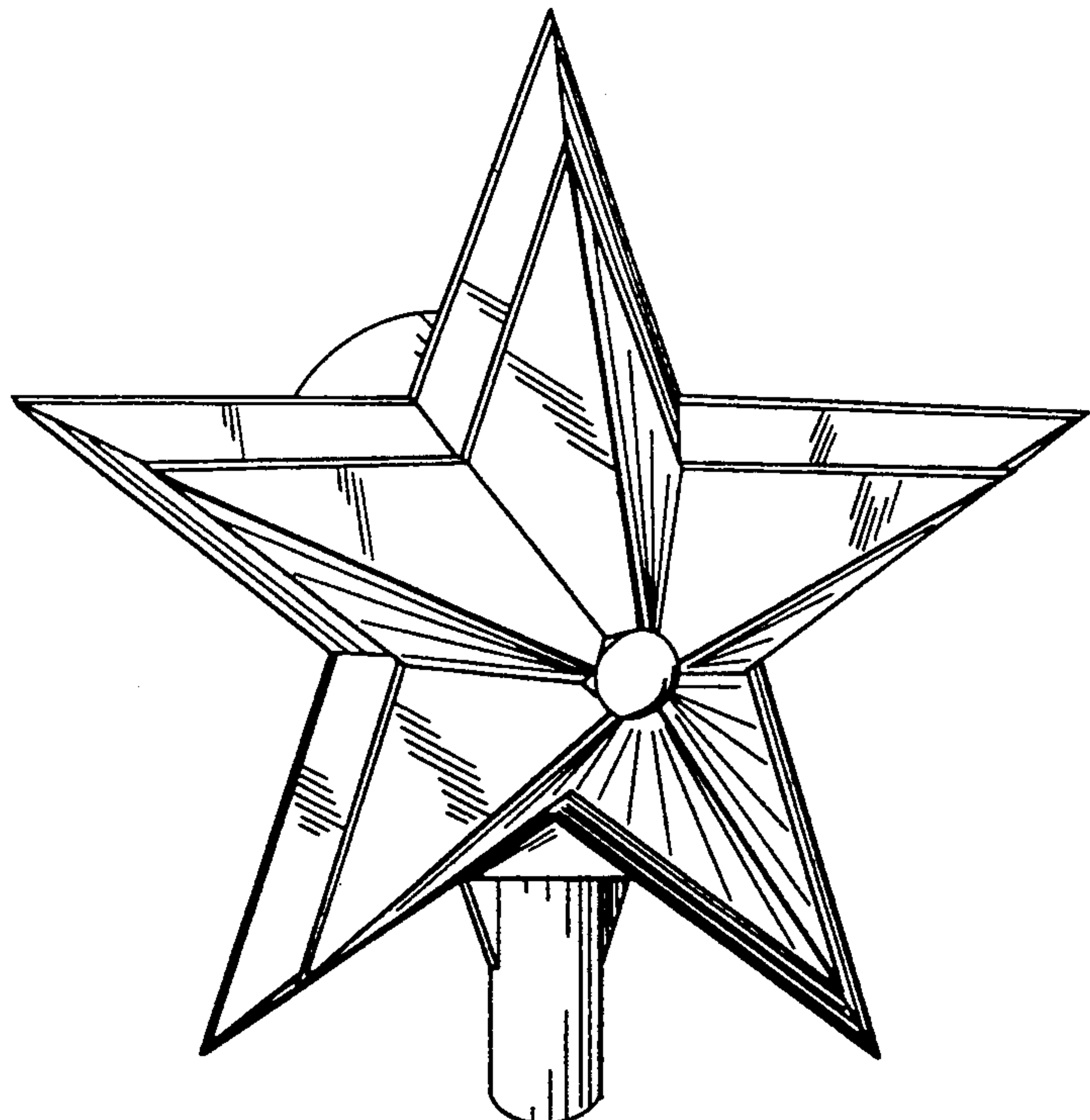
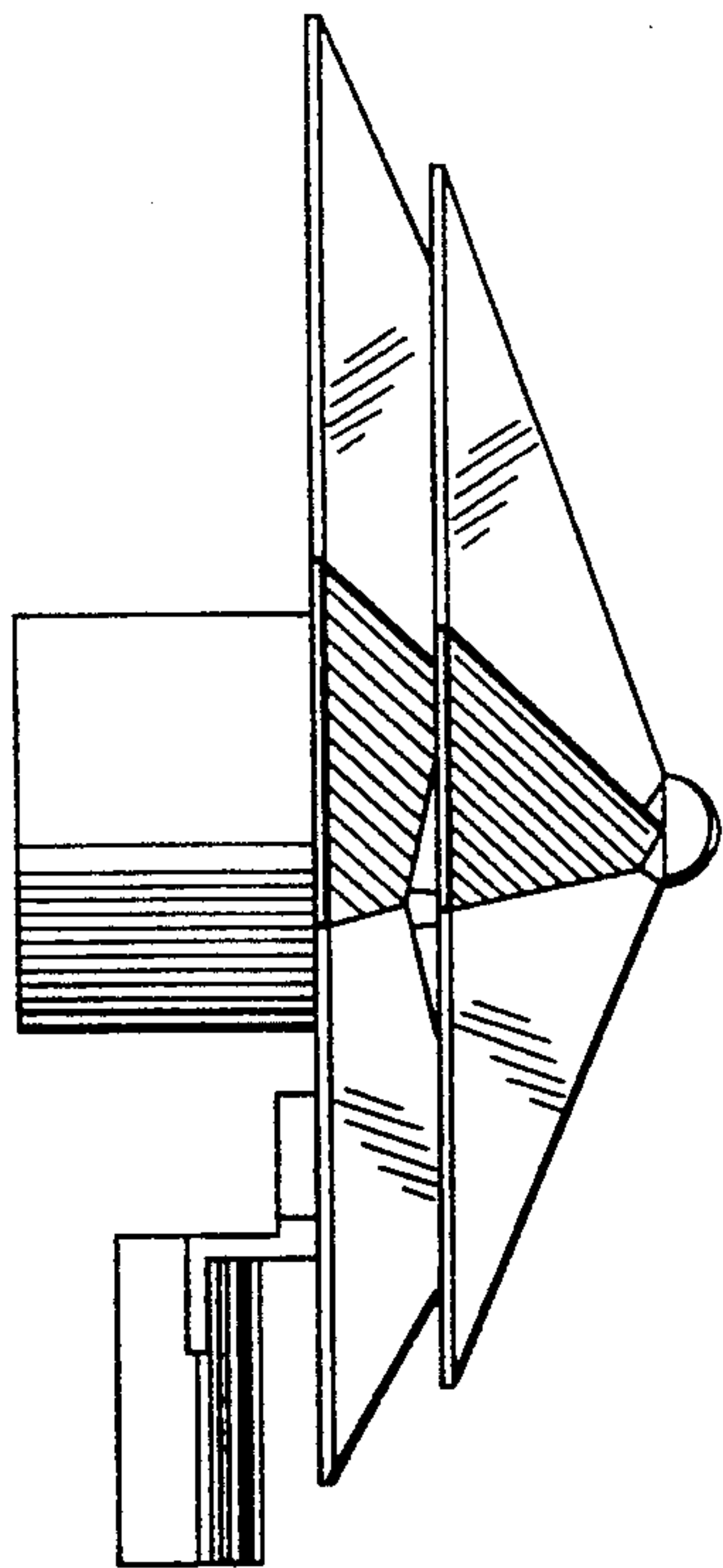


Fig. 1

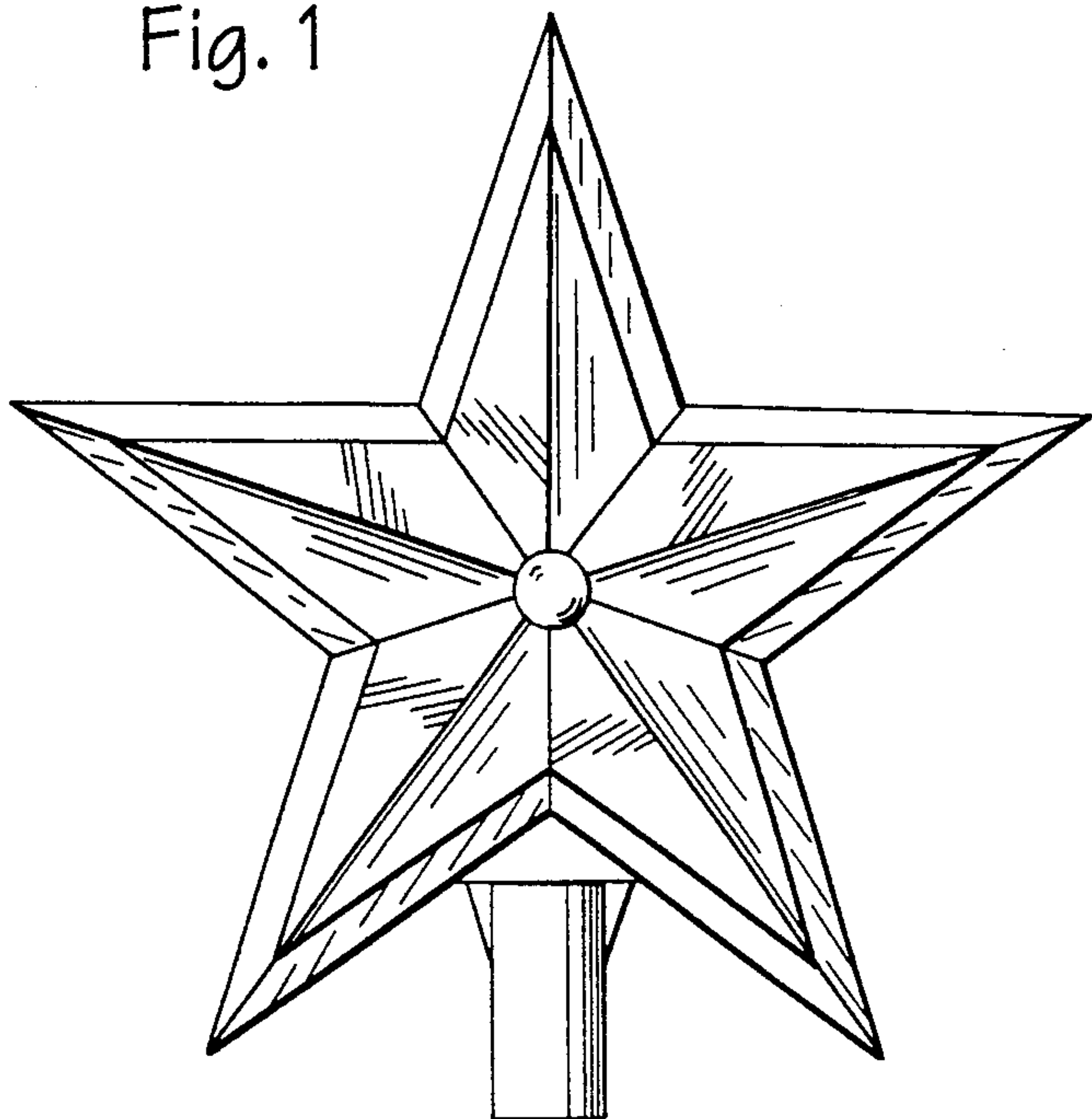


Fig. 2

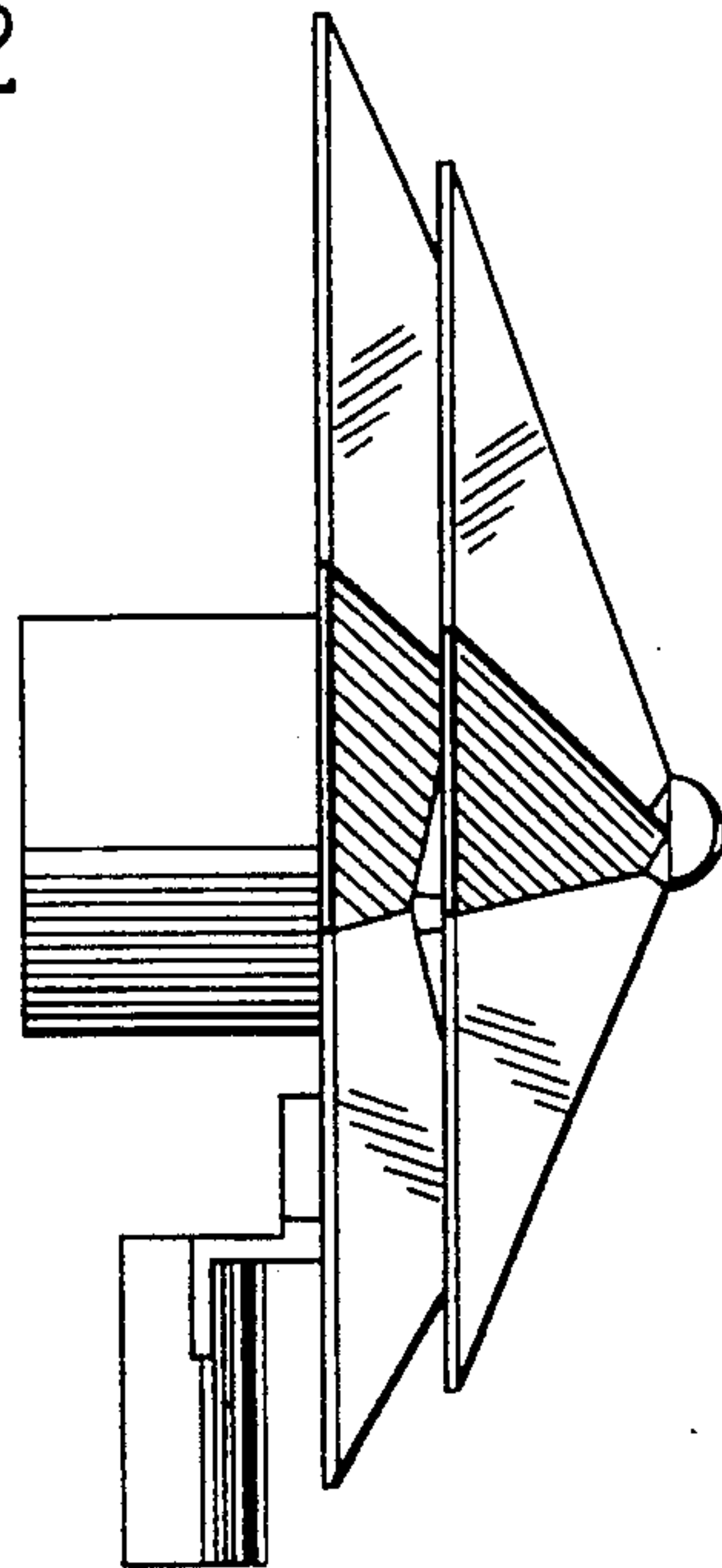


Fig. 3

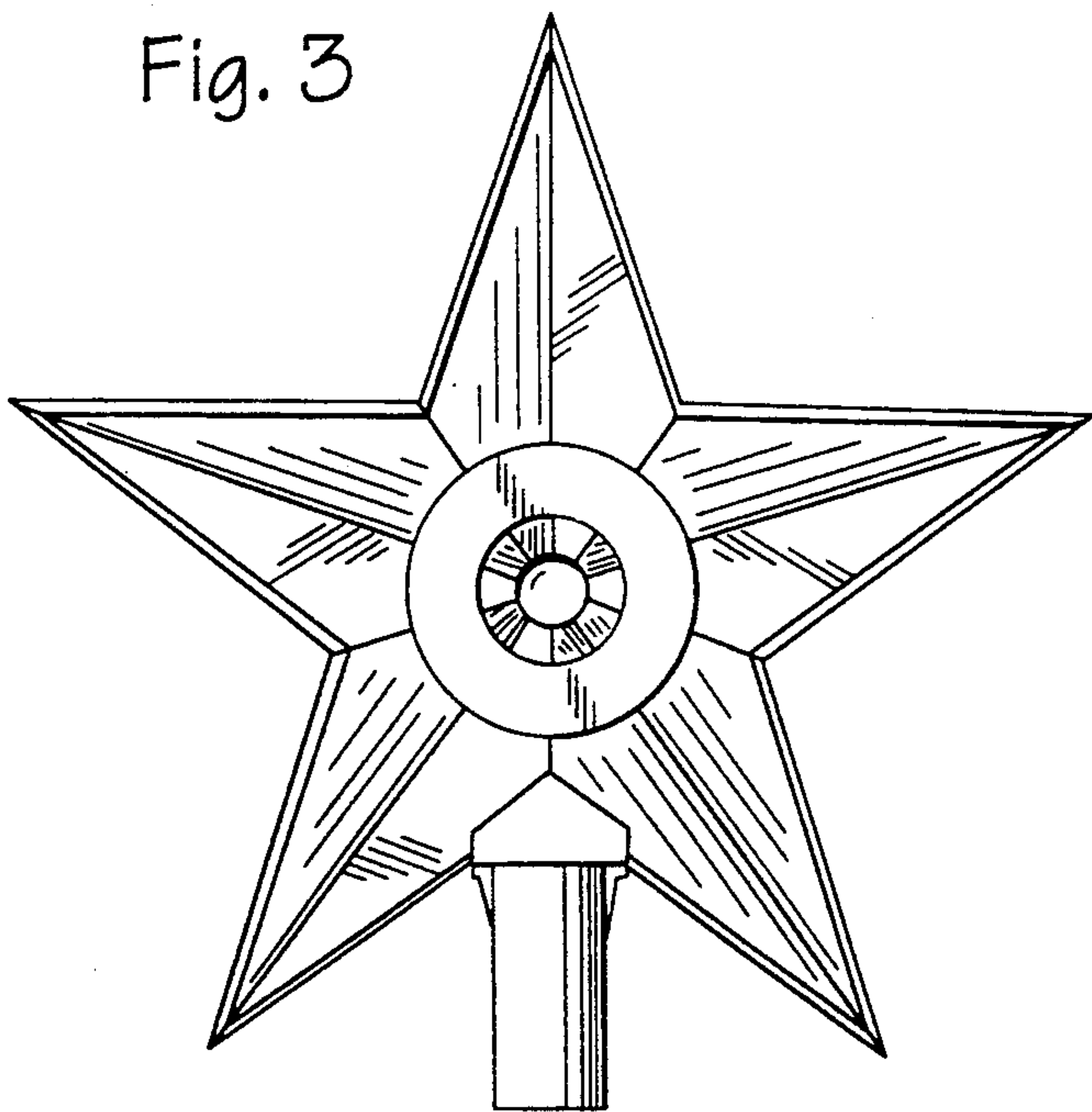
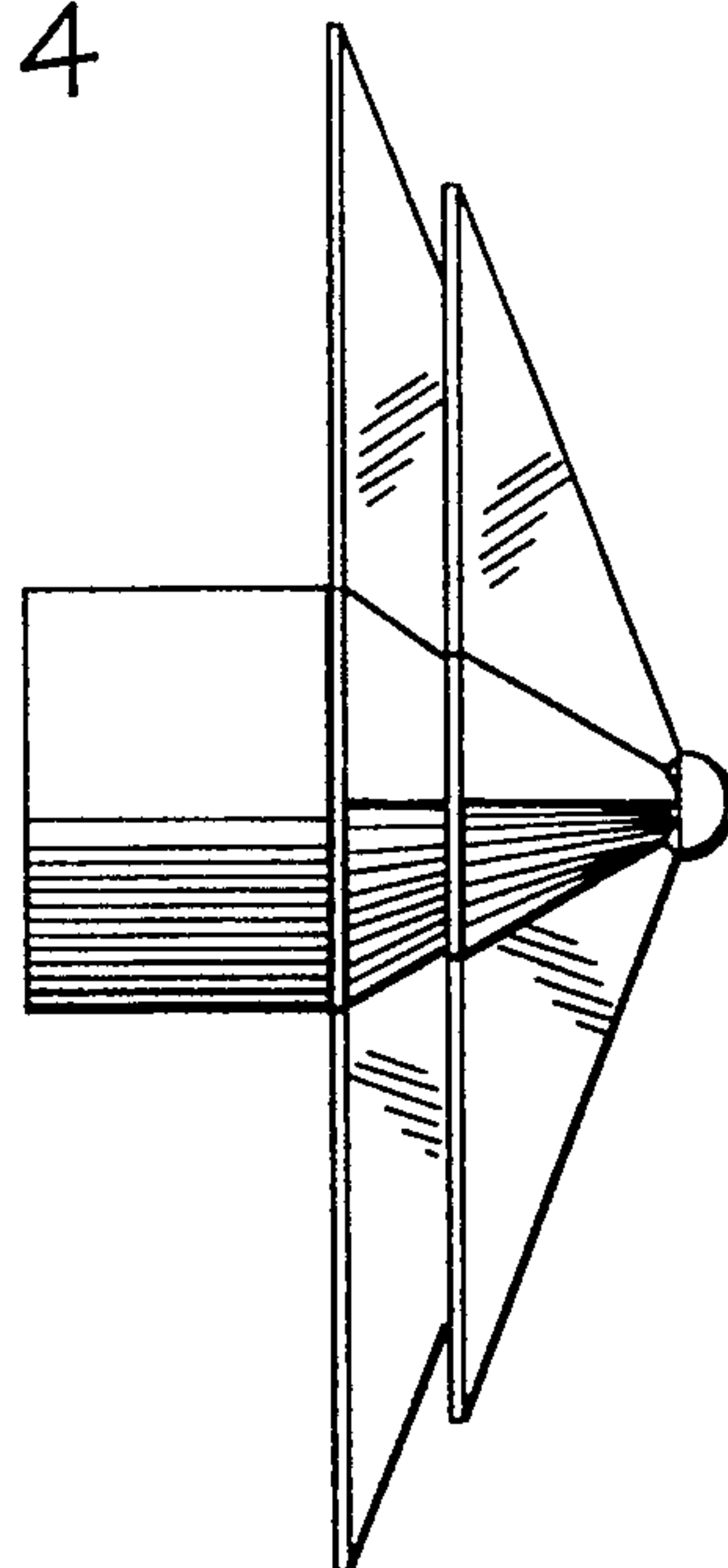


Fig. 4



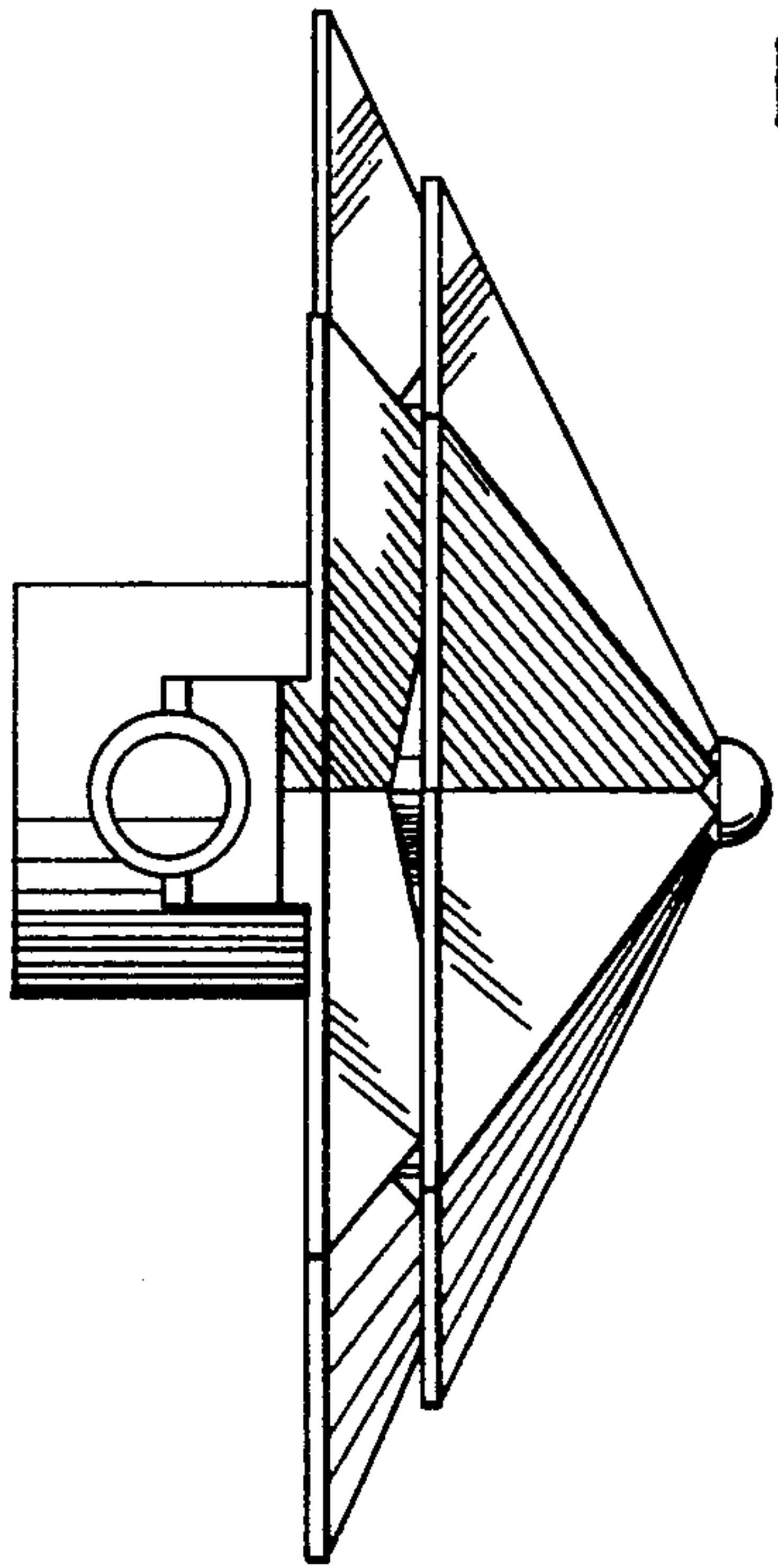


Fig. 5

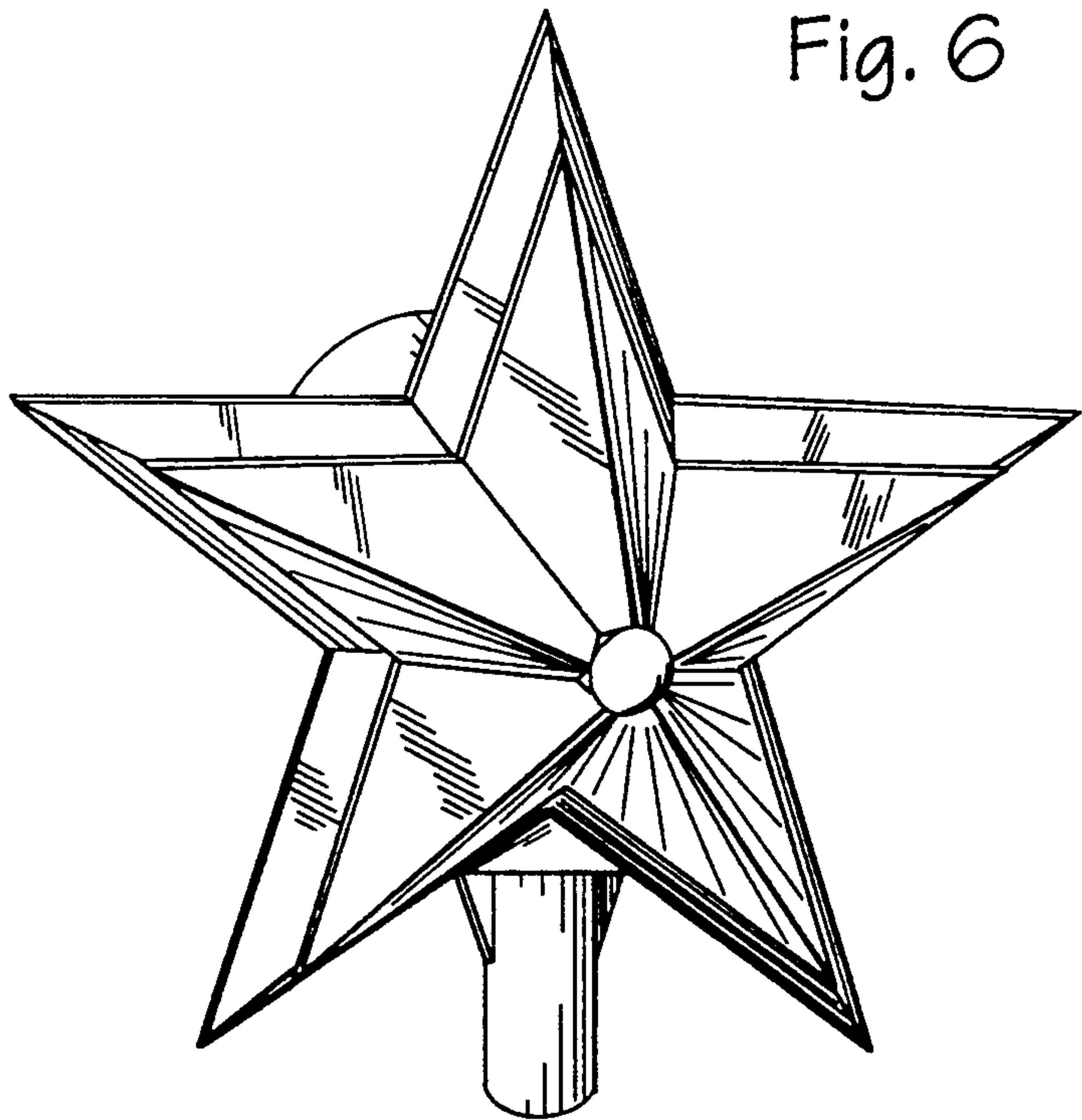


Fig. 6