



US00D329825S

United States Patent [19]

[11] Patent Number: **Des. 329,825**

Taylor et al.

[45] Date of Patent: **** Sep. 29, 1992**

[54] **LONG JUMP FOOT FAULT DETECTOR**

Attorney, Agent, or Firm—Gerlach & O'Brien

[75] Inventors: **Michael C. Taylor**, 229 N. Lancaster, Bolingbrook, Ill. 60439; **Martin Thaler**, Chicago, Ill.

[57] **CLAIM**

The ornamental design for long jump foot fault detector, as shown and described.

[73] Assignee: **Michael C. Taylor**, Bolingbrook, Ill.

DESCRIPTION

[**] Term: **14 Years**

FIG. 1 is a top perspective view of a long jump foot fault detector showing our new design;

[21] Appl. No.: **566,491**

FIG. 2 is a top plan view thereof;

[22] Filed: **Aug. 13, 1990**

FIG. 3 is a bottom plan view thereof;

[52] U.S. Cl. **D10/106; D10/70**

FIG. 4 is a front elevational view thereof;

[58] Field of Search **D10/70, 104, 106, 121; 340/551, 552, 545, 561, 565, 547**

FIG. 5 is a rear elevational view thereof;

FIG. 6 is a left side elevational view thereof;

FIG. 7 is a right side elevational view thereof; FIG. 8 is a top perspective view of a second embodiment thereof;

[56] **References Cited**

U.S. PATENT DOCUMENTS

D. 281.766	12/1985	Denton et al.	D10/106
D. 319.599	9/1991	Jackman et al.	D10/106
4,664,376	5/1987	Gray	340/551

FIG. 9 is a top plan view thereof, with the bottom being the same as shown in FIG. 3;

FIG. 10 is a rear elevational view thereof, with the front being the same as shown in FIG. 4; and,

FIG. 11 is a left side elevational view thereof, with the right side being the same as shown in FIG. 7, except for the omission of the light elements.

Primary Examiner—Wallace R. Burke

Assistant Examiner—Marcus Jackson

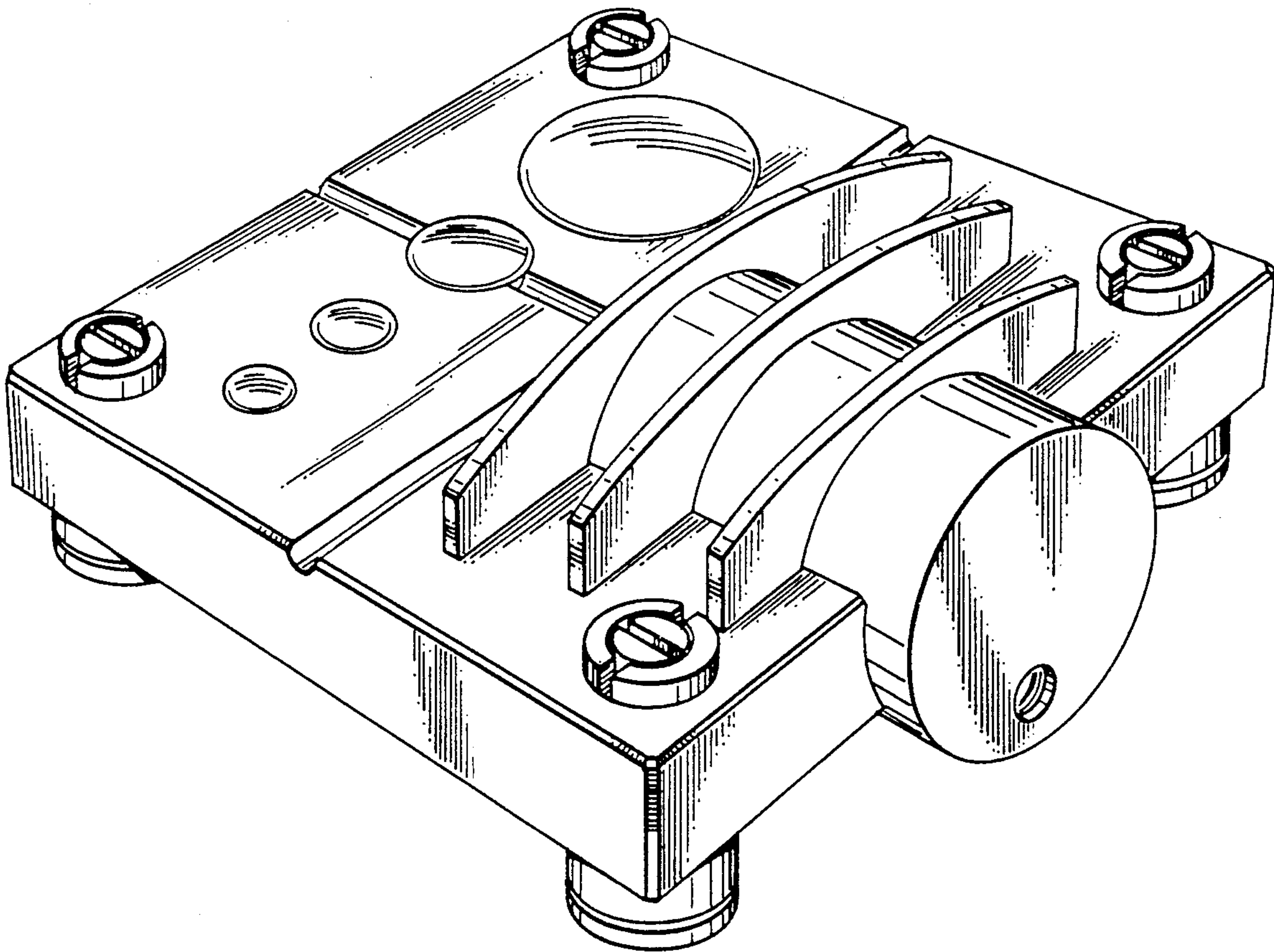


FIG. 1

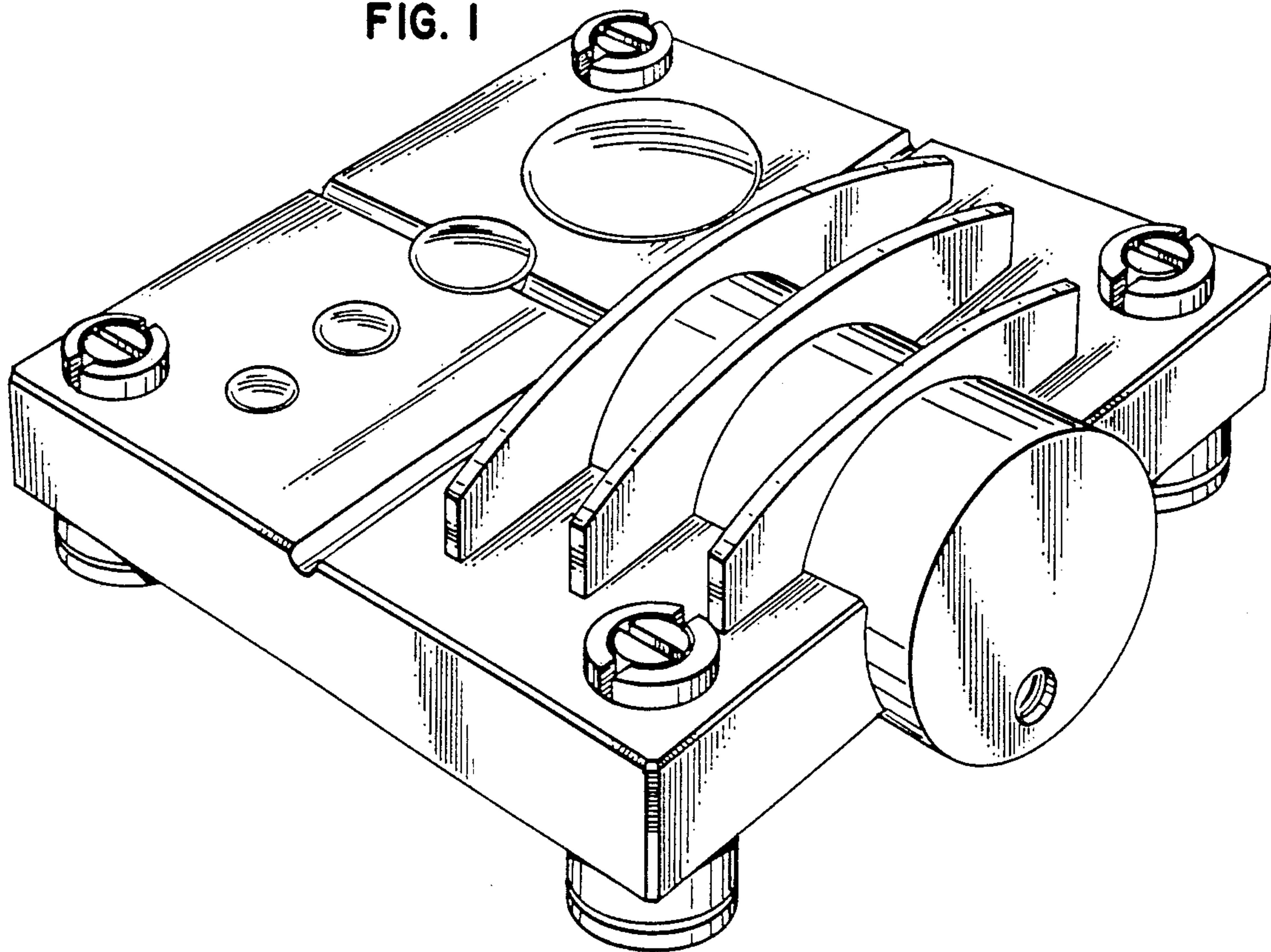


FIG. 2

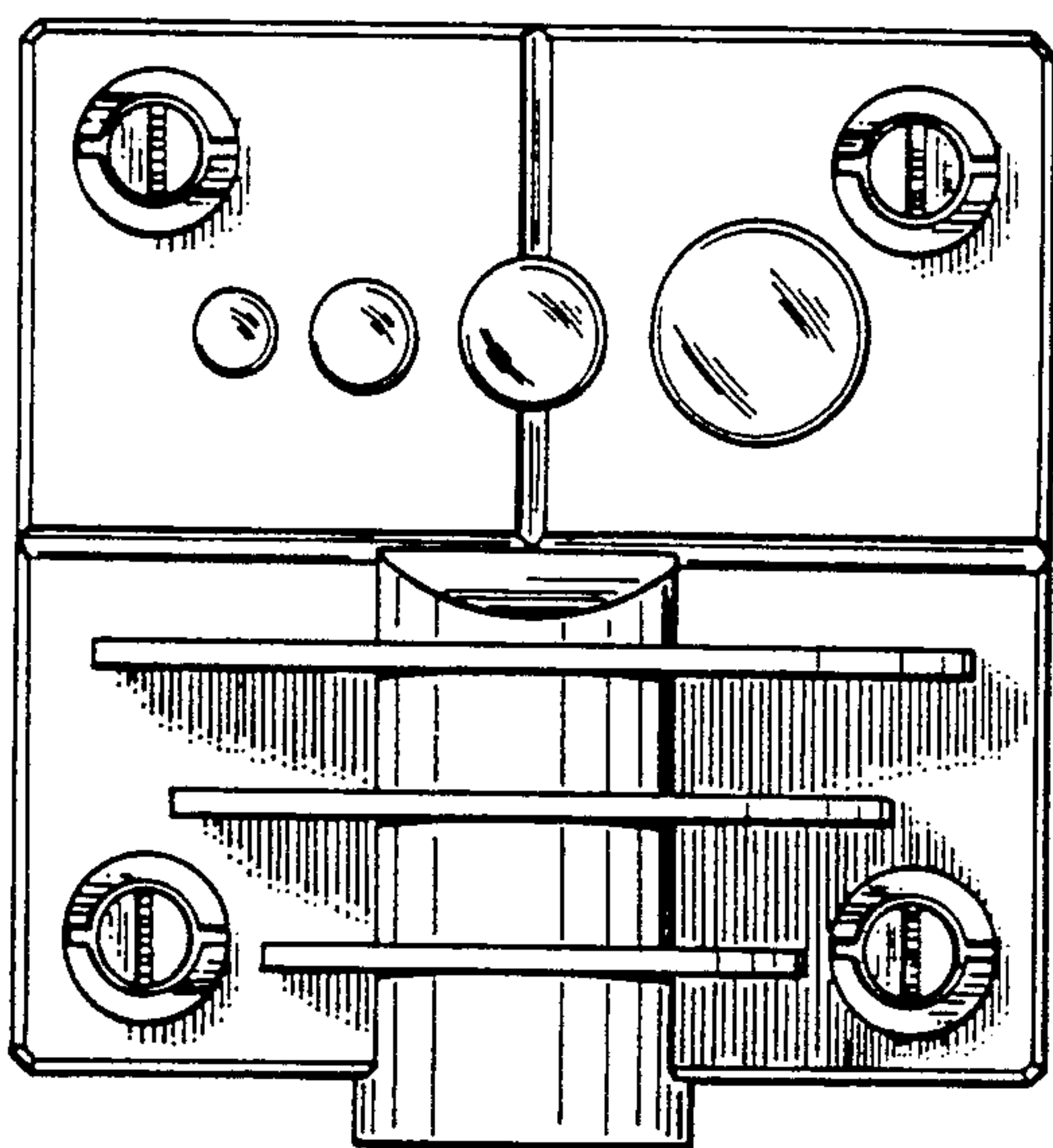


FIG. 3

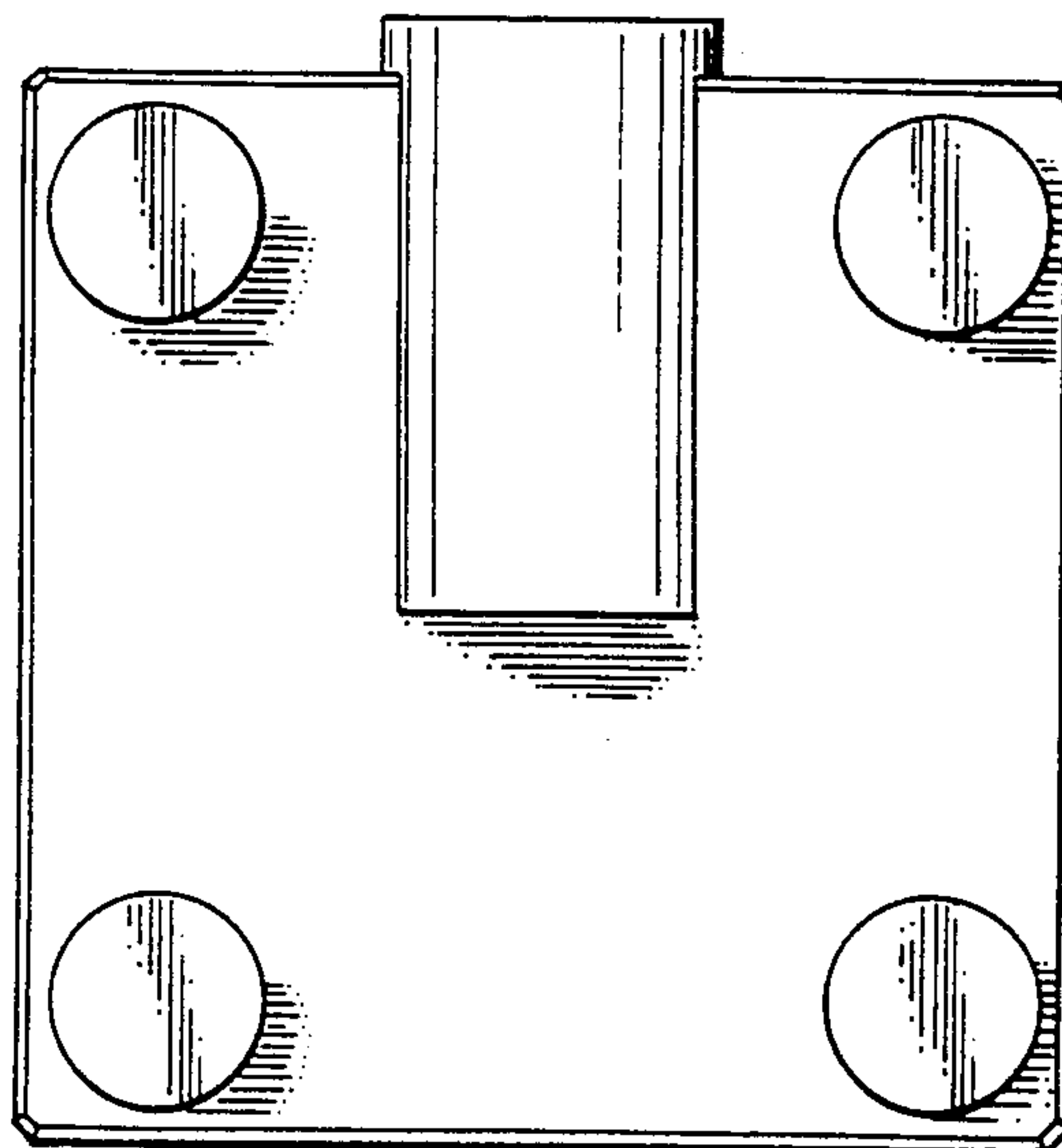


FIG. 4

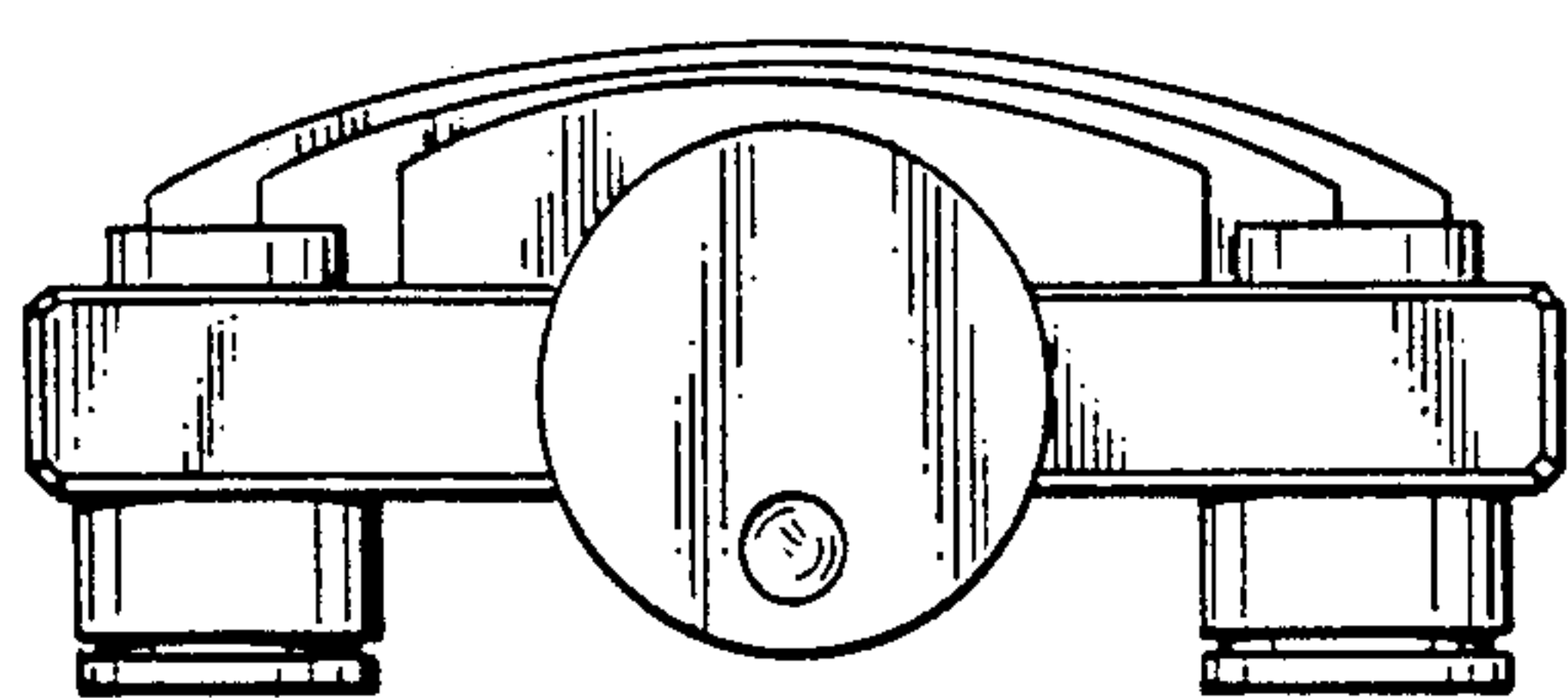


FIG. 5

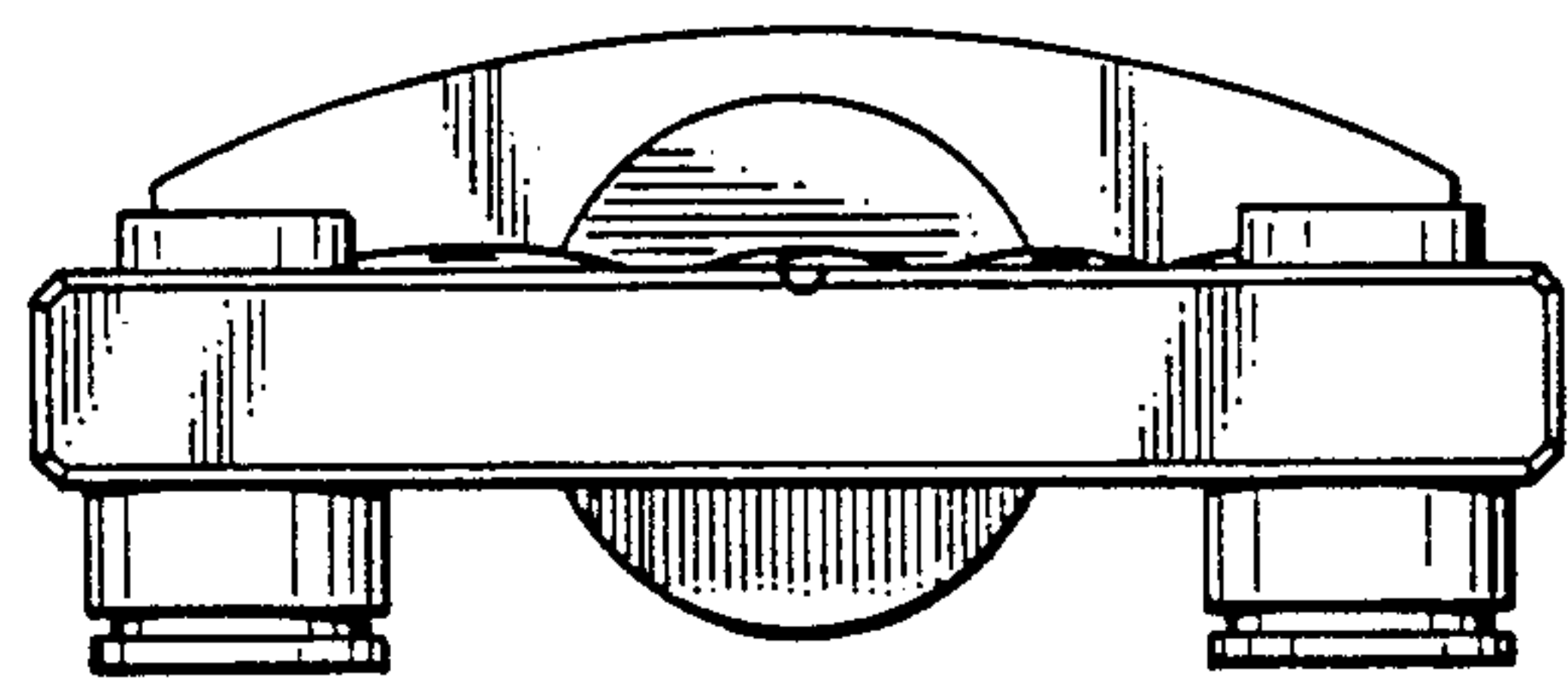


FIG. 6

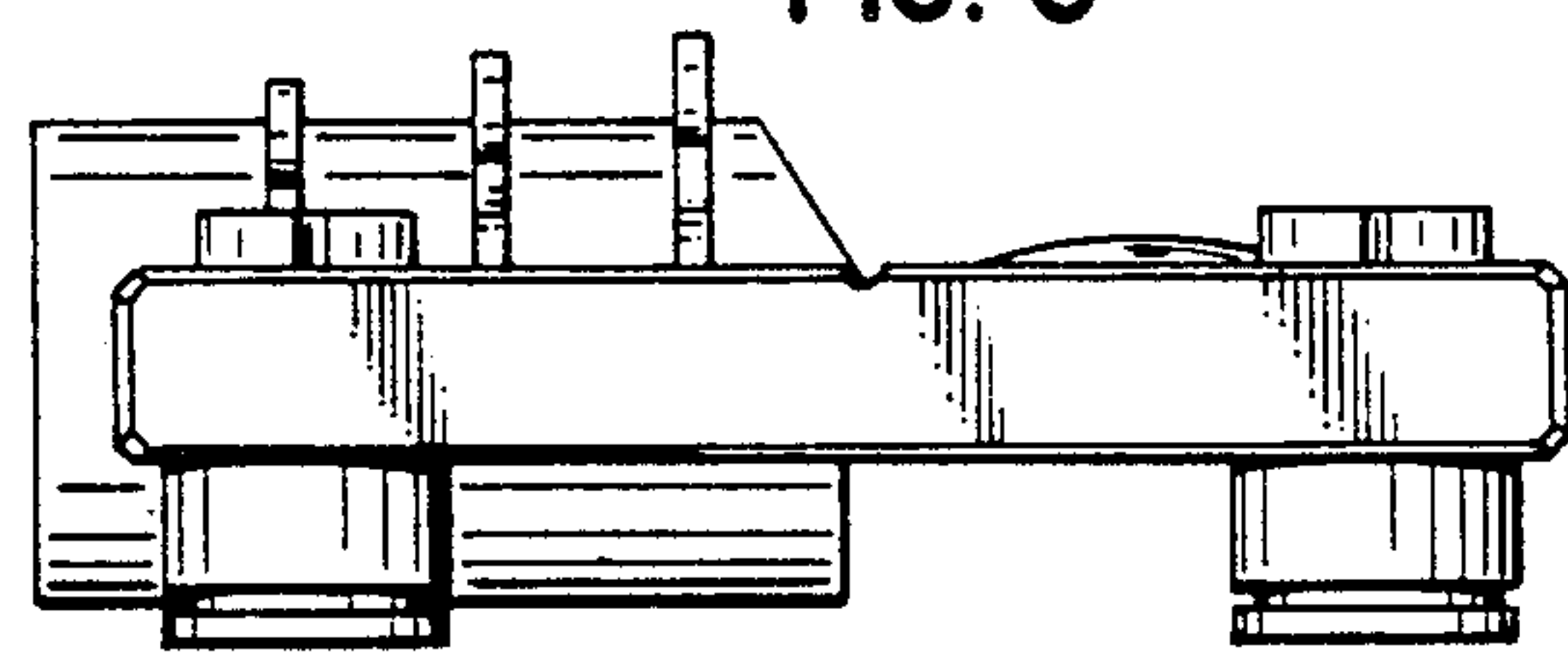


FIG. 7

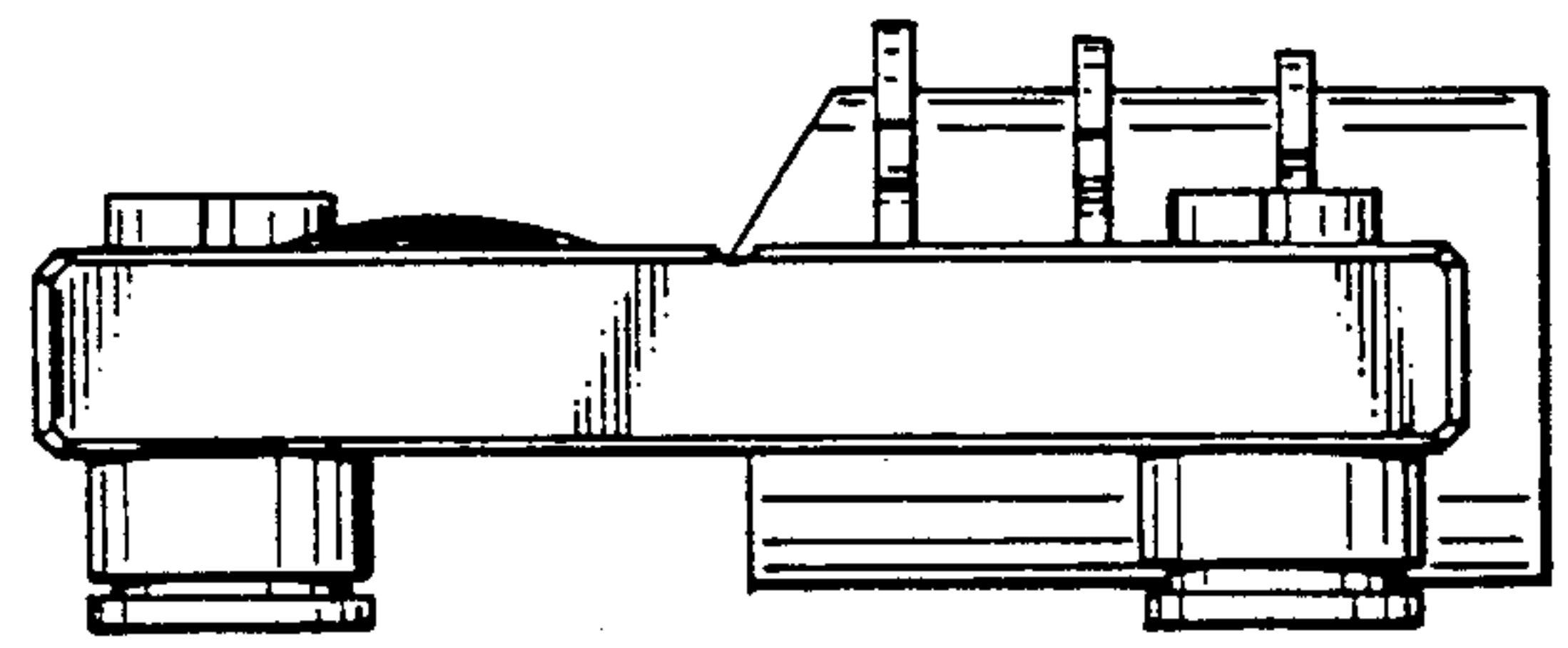


FIG. 8

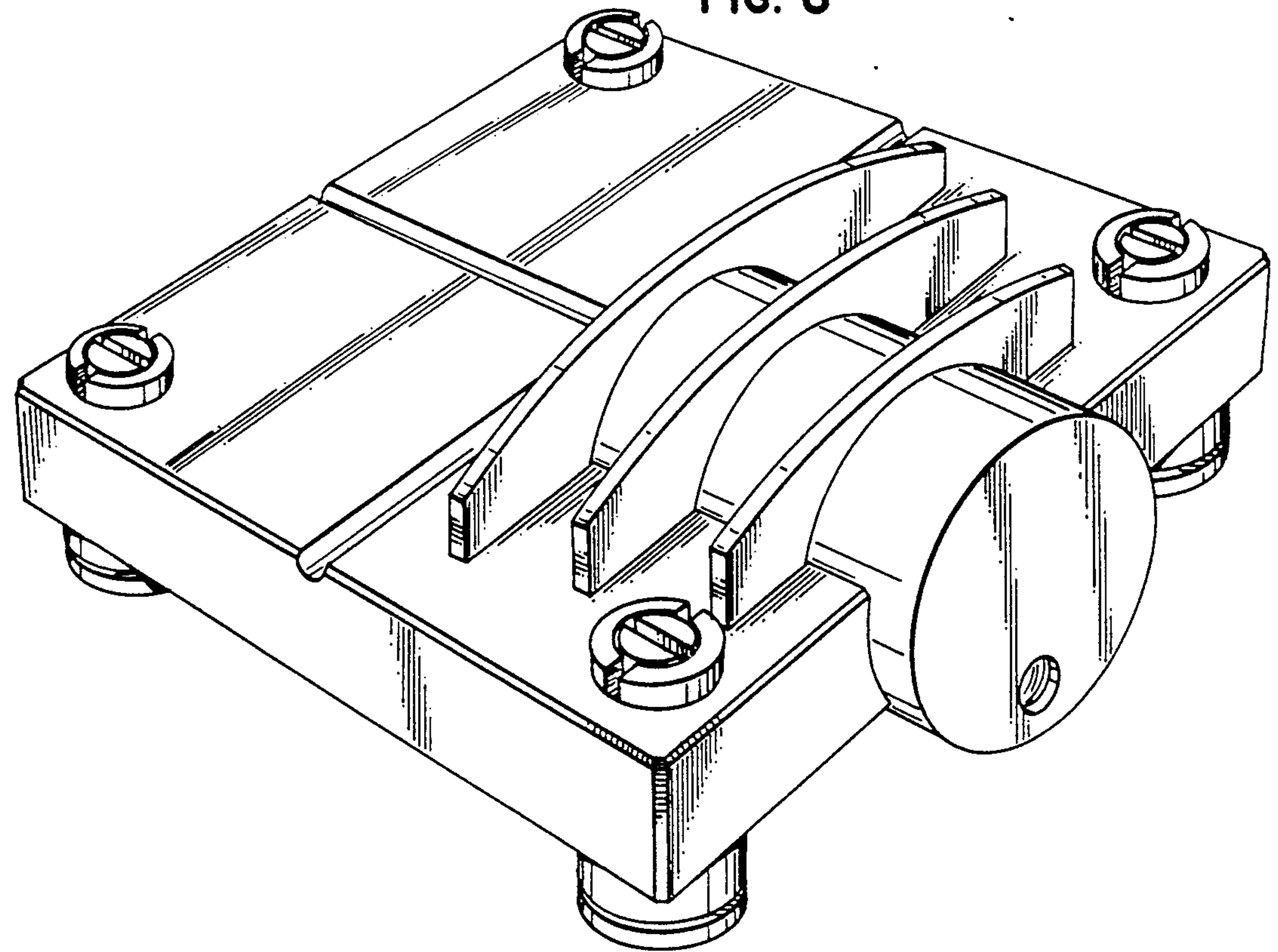


FIG. 9

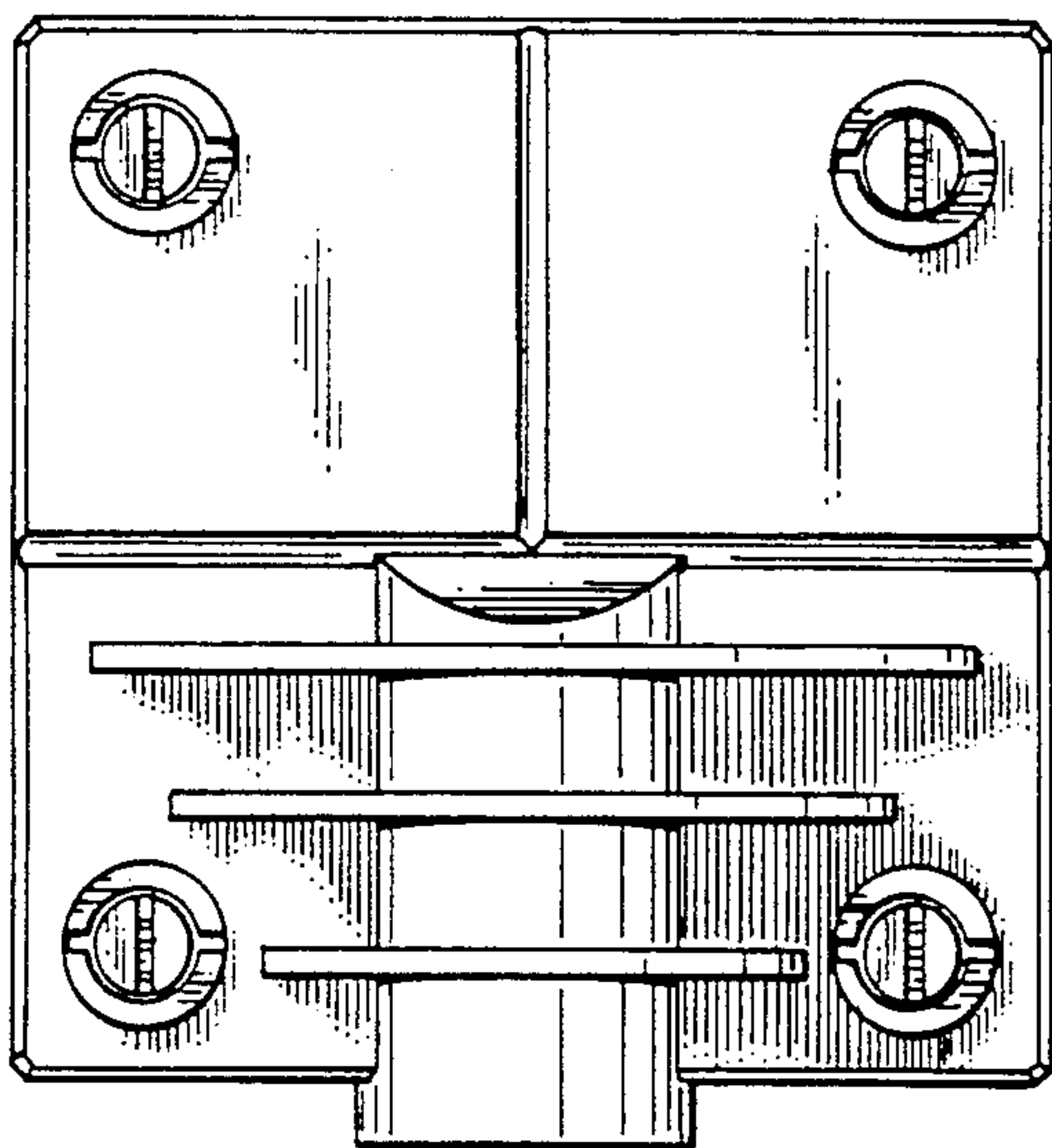


FIG. 10

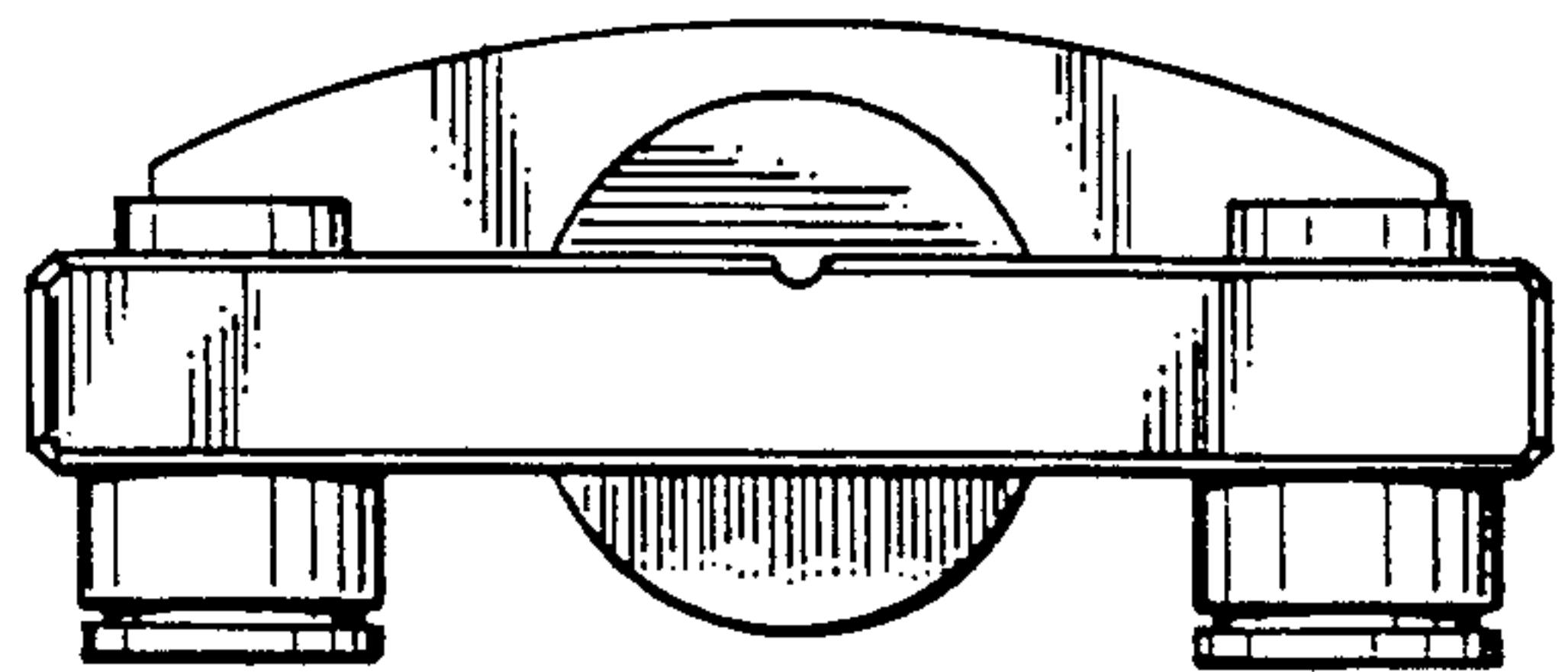


FIG. 11

