



US00D329821S

# United States Patent [19]

[11] Patent Number: **Des. 329,821**

Wyatt et al.

[45] Date of Patent: **\*\* Sep. 29, 1992**

[54] APPARATUS FOR THE MEASUREMENT OF FINE PARTICLES IN LIQUID SUSPENSION BY THE LIGHT SCATTERING PROCEDURE

[56] **References Cited**

**U.S. PATENT DOCUMENTS**

- 4,616,927 10/1986 Phillips et al. .... 356/338
- 4,641,969 2/1987 Lundberg et al. .... 356/343
- 4,648,715 3/1987 Ford, Jr. et al. .... 356/343 X

[75] Inventors: **Philip J. Wyatt, Santa Barbara; Richard F. Shuck, Goleta, both of Calif.**

*Primary Examiner*—Susan J. Lucas  
*Attorney, Agent, or Firm*—Hawes & Fischer

[73] Assignee: **Wyatt Technology Corporation, Santa Barbara, Calif.**

[57] **CLAIM**

The ornamental design for apparatus for the measurement of fine particles in liquid suspension by the light scattering procedure, as shown and described.

[\*\*] Term: **14 Years**

**DESCRIPTION**

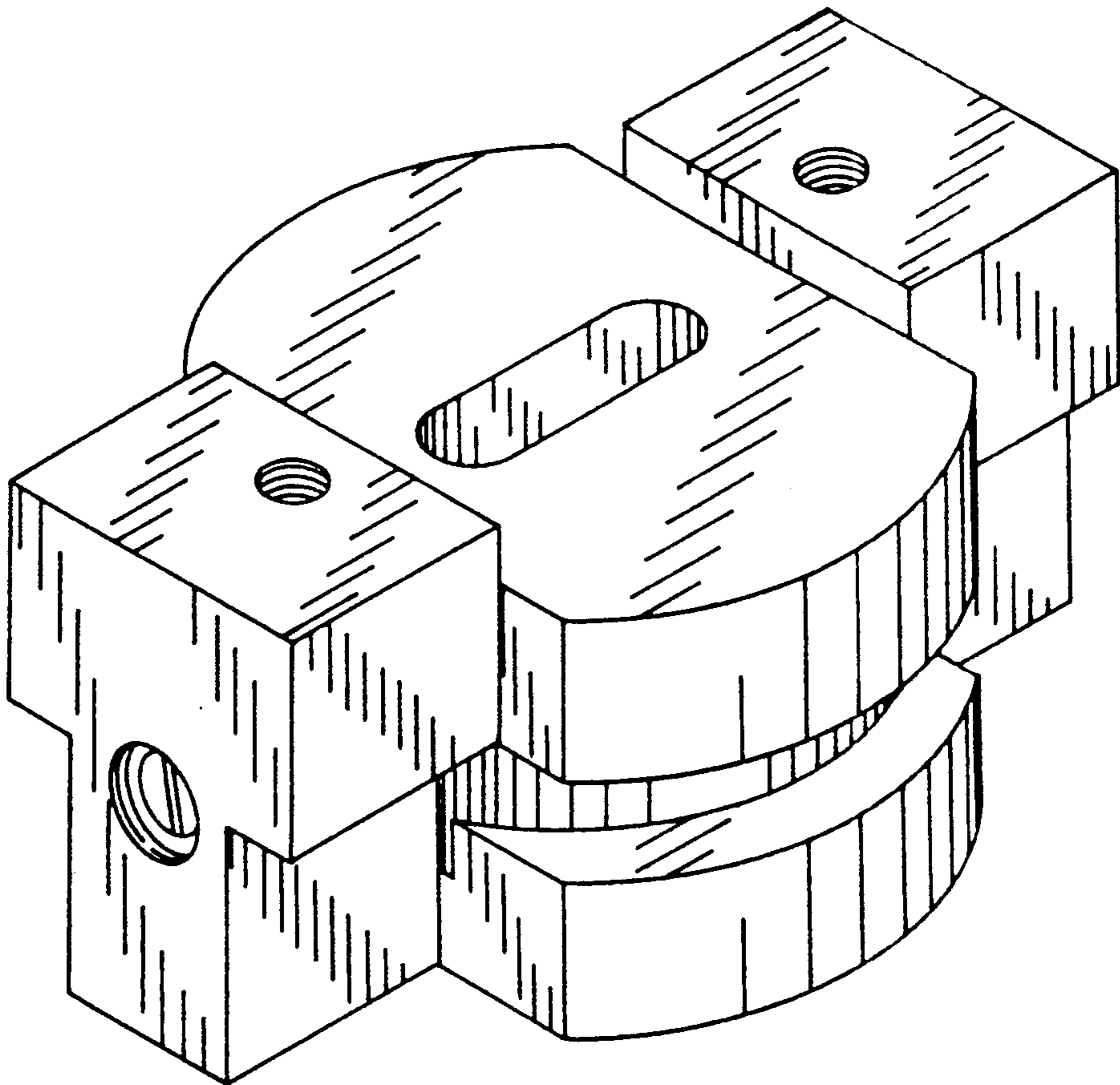
[21] Appl. No.: **380,551**

FIG. 1 is a top perspective view of the apparatus for the measurement of fine particles in liquid suspension by the light scattering procedure showing our new design; FIG. 2 is a side elevational view thereof; FIG. 3 is a top plan view thereof; FIG. 4 is a bottom plan view thereof; FIG. 5 is an opposite side elevational view thereof; FIG. 6 is an end elevational view thereof; and, FIG. 7 is an opposite end elevational view thereof.

[22] Filed: **Feb. 21, 1989**

[52] U.S. Cl. .... **D10/103**

[58] Field of Search ..... 356/338, 342, 343; D10/46, 60, 83, 103



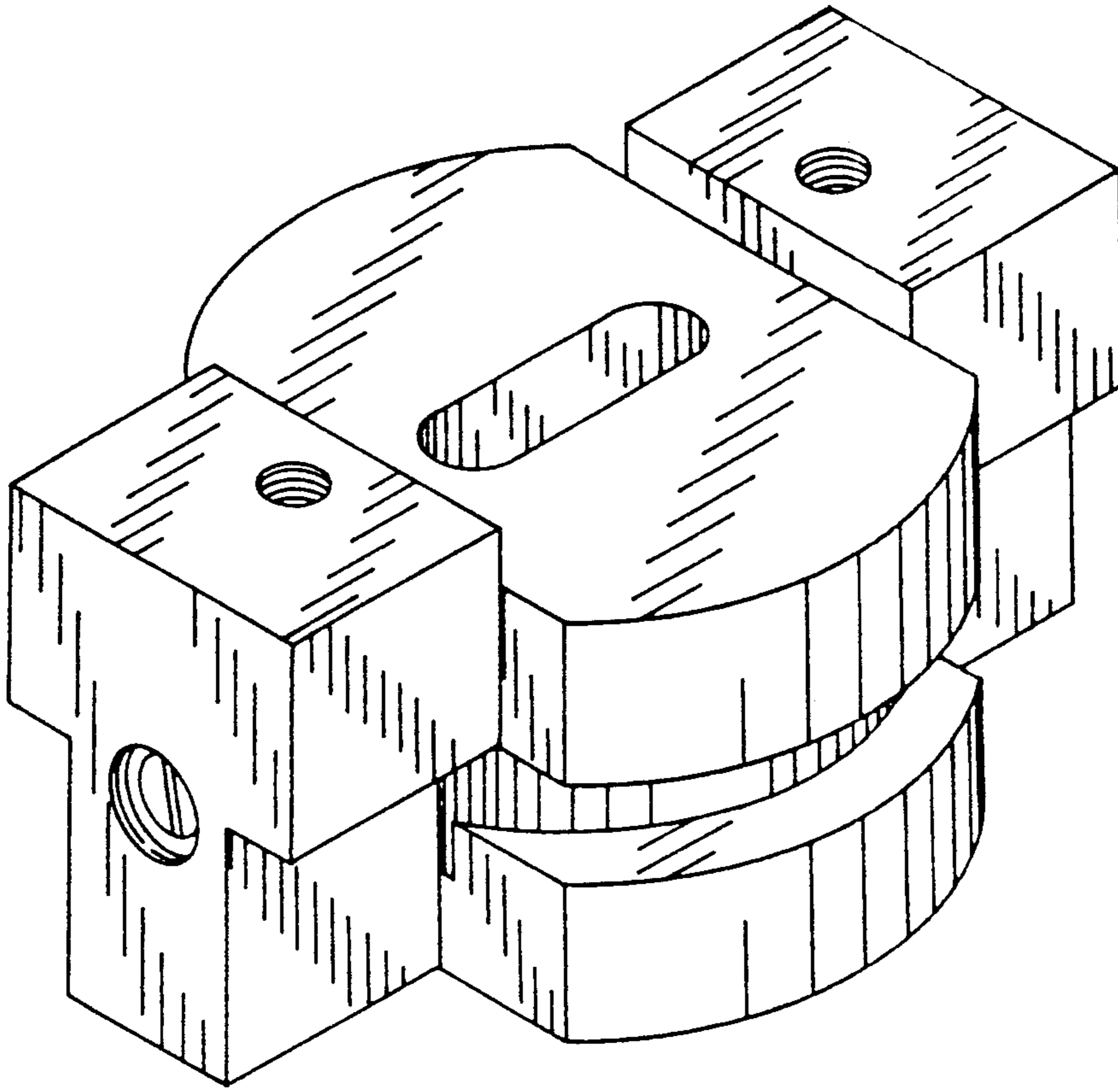


FIG. 1

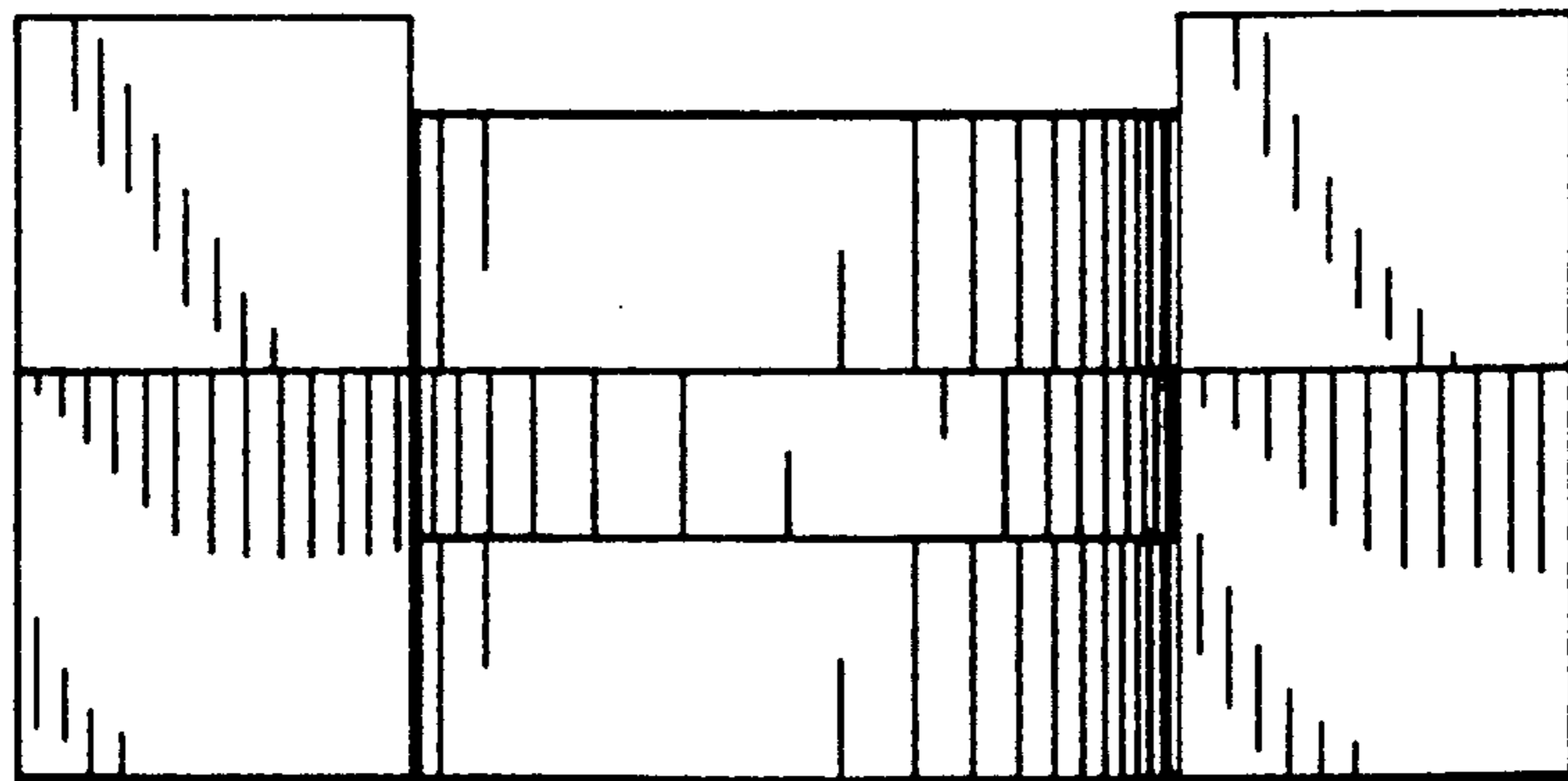


FIG. 2

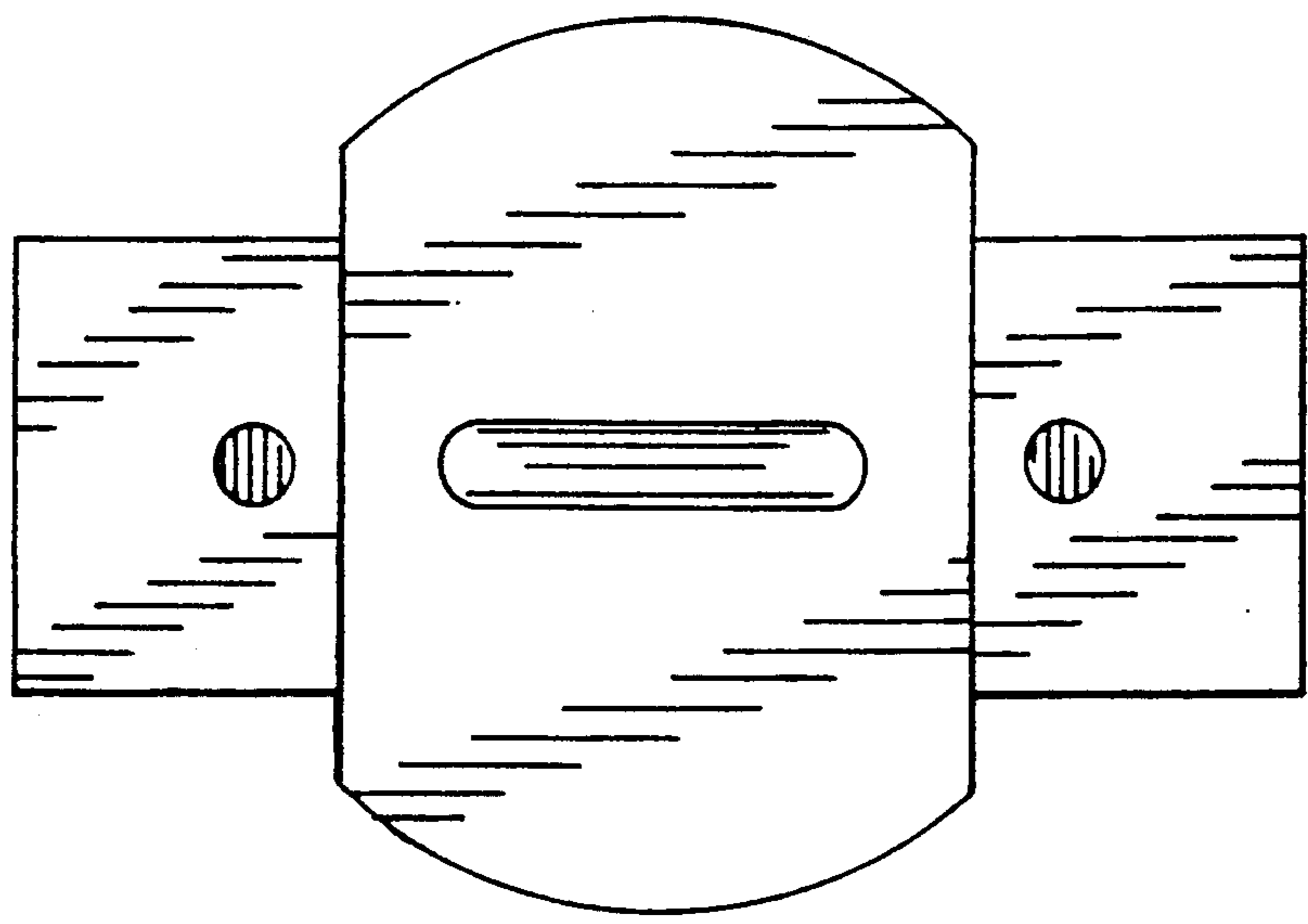


FIG. 3

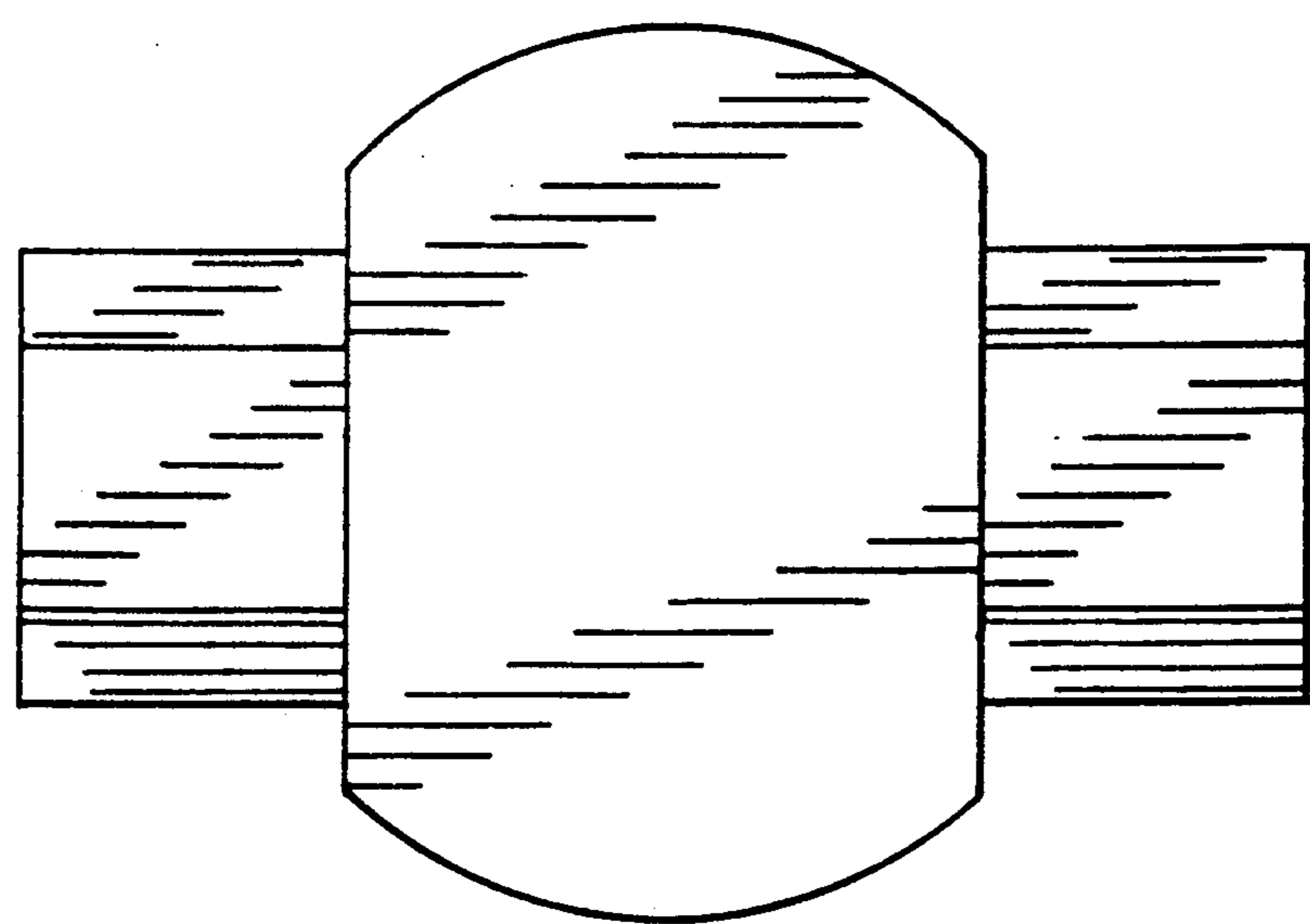


FIG. 4

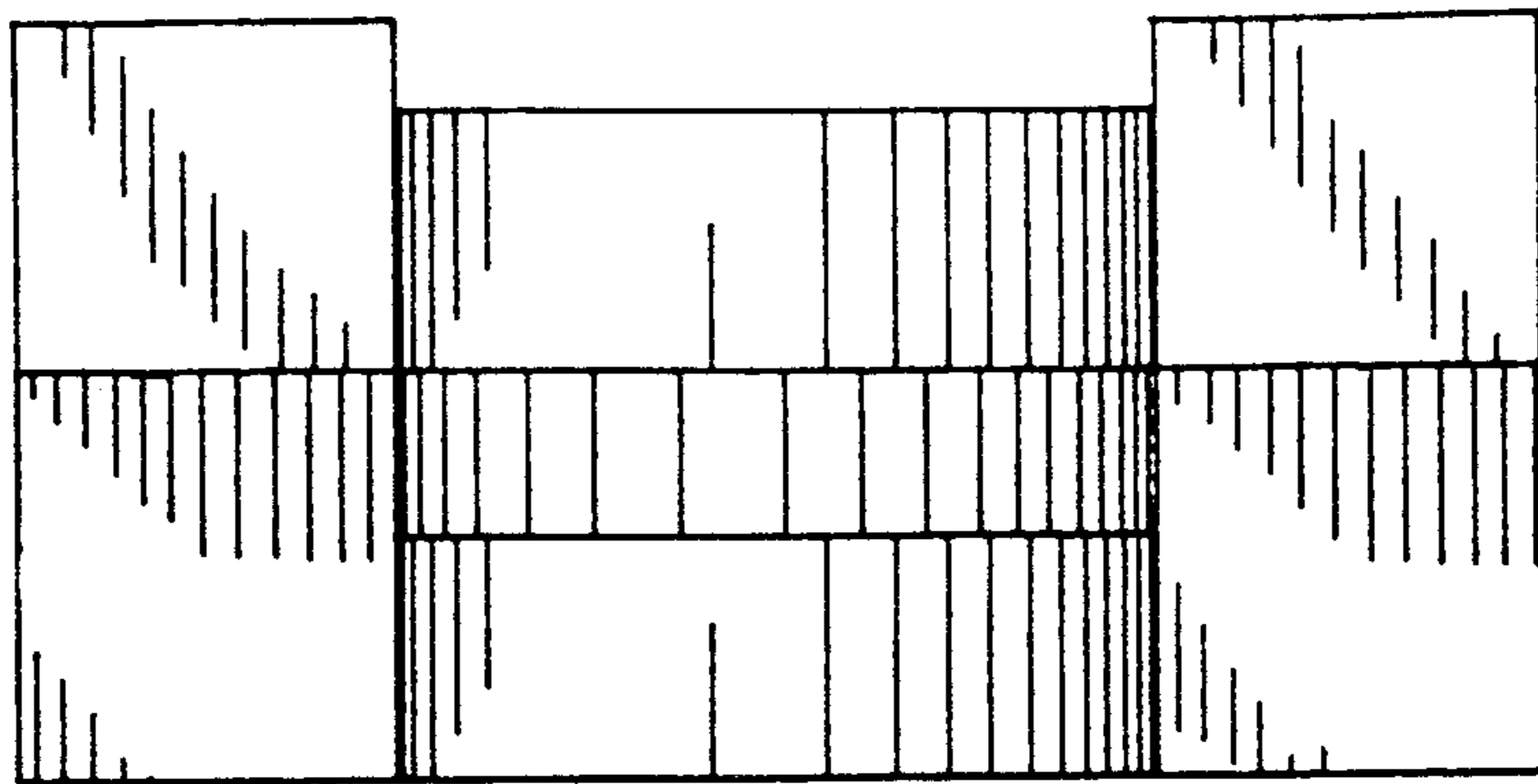


FIG. 5

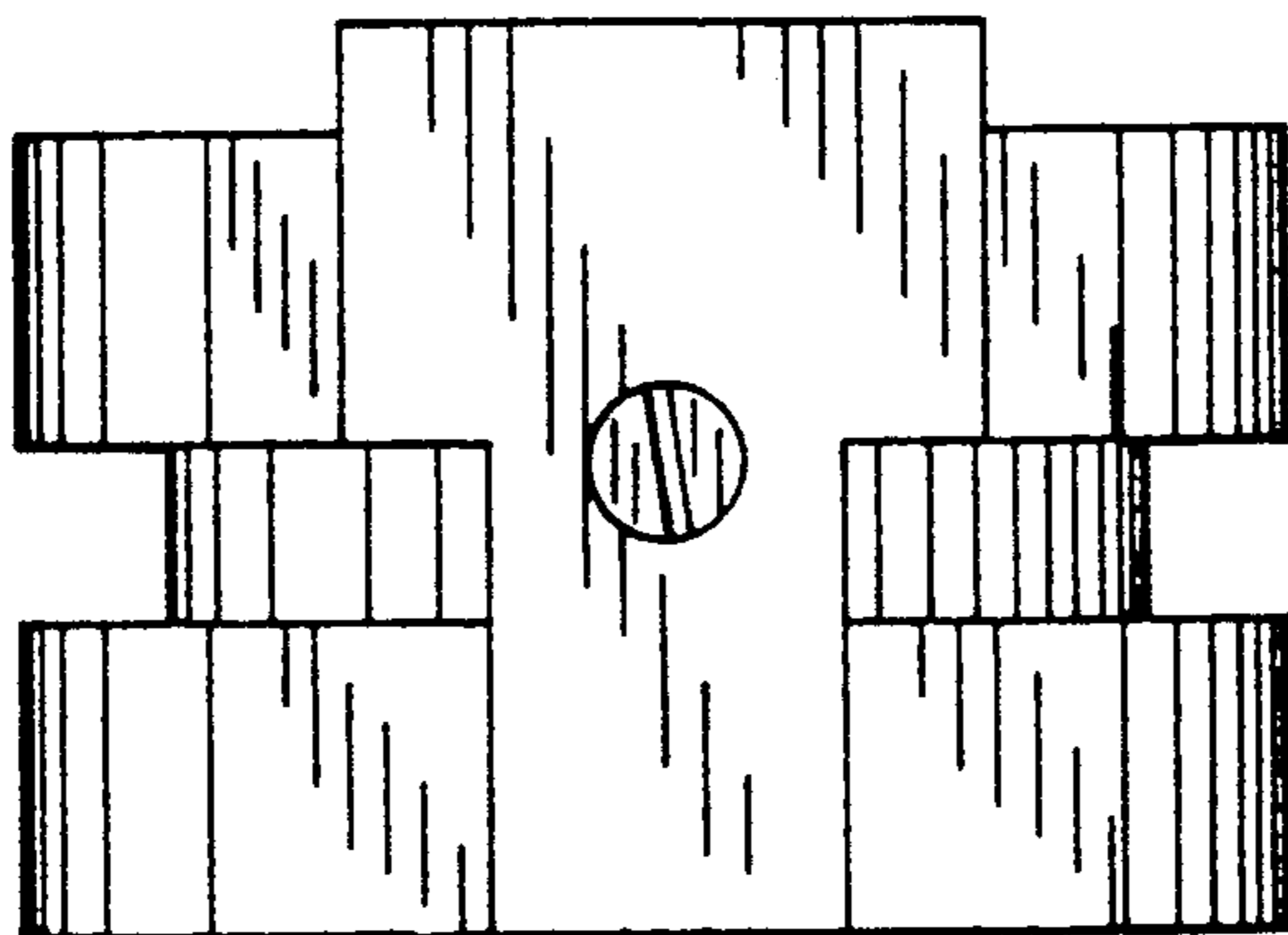


FIG. 6

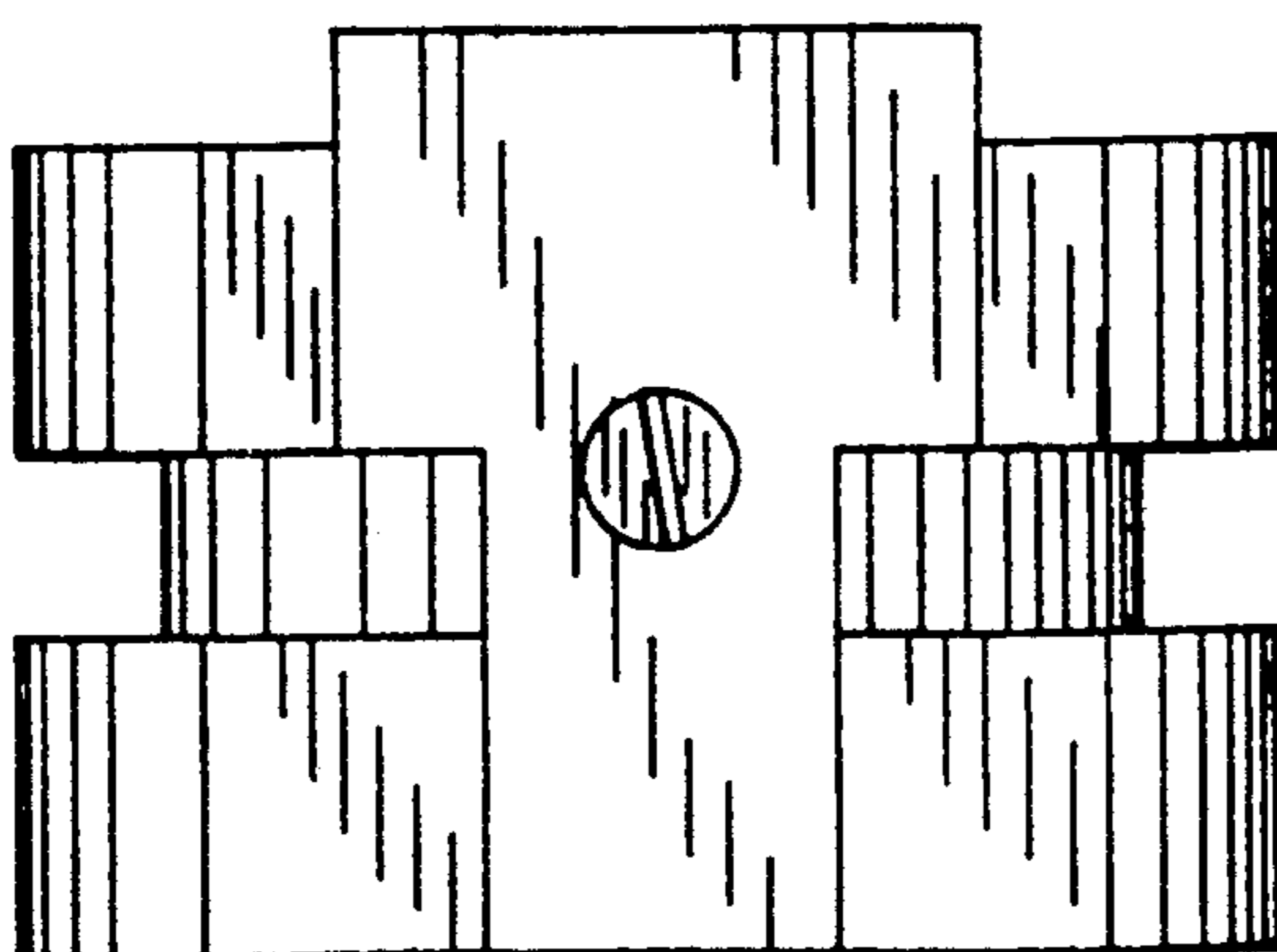


FIG. 7