



US00D329820S

United States Patent [19]

[11] Patent Number: **Des. 329,820**

Lawlor

[45] Date of Patent: **** Sep. 29, 1992**

[54] **COMBINATION RING TIMER AND LAP COUNTER**

[76] Inventor: **Sally Lawlor, 23 Henry St., Bergenfield, N.J. 07621**

[**] Term: **14 Years**

[21] Appl. No.: **795,088**

[22] Filed: **Nov. 20, 1991**

[52] U.S. Cl. **D10/97; D11/2; D10/31; D10/32; D10/40**

[58] Field of Search **D10/97, 30, 31, 32, D10/2, 40; D11/2, 3, 26; 63/1.1, 2, 3, 15; 235/105; 368/10, 45, 278, 279**

[56] **References Cited**

U.S. PATENT DOCUMENTS

D. 266,312	9/1982	Lin	D11/26 X
D. 323,787	2/1992	Moorman	D10/97
902,606	11/1908	Robbins	63/1.1 X
1,718,113	6/1929	Cohen et al.	63/15
1,740,060	12/1929	Baum	63/15 X
1,743,563	1/1930	Montuori	D11/2 X
1,935,479	11/1933	Maurette	63/15 X
2,074,643	3/1937	Domenege	D11/26 X
3,019,635	2/1962	Kling	63/1.1 X

FOREIGN PATENT DOCUMENTS

1514537 6/1978 United Kingdom 63/1.1

OTHER PUBLICATIONS

Swimming World Sep. 1991, pp. 41-42 Hammecker Schlemmer Summer 1992 Catalog.

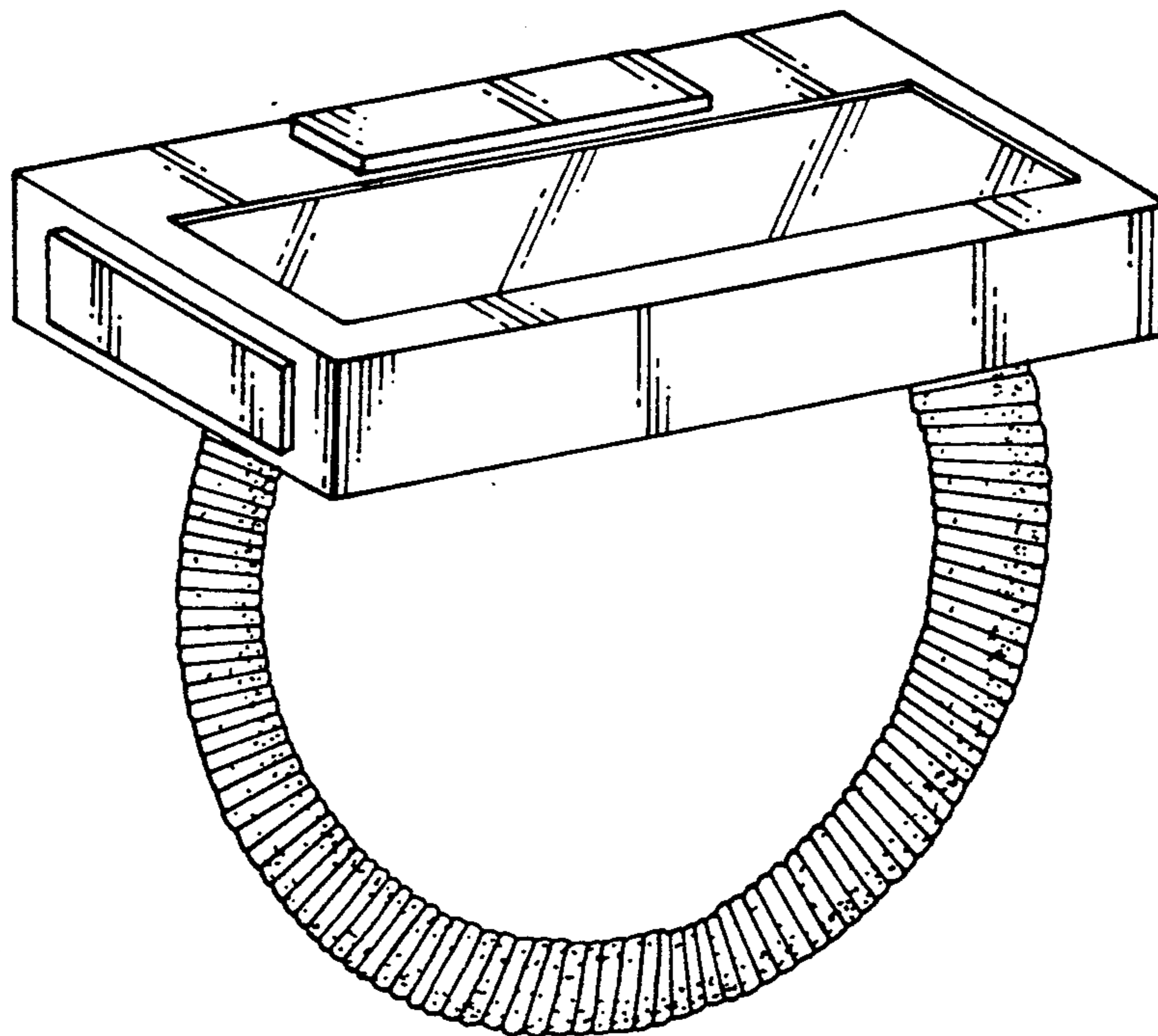
Primary Examiner—Nelson C. Holtje
Assistant Examiner—Antoine D. Davis
Attorney, Agent, or Firm—Klauber & Jackson

[57] **CLAIM**

The ornamental design for a combination ring timer and lap counter, as shown and described.

DESCRIPTION

FIG. 1 is a top, front and left side perspective view of a combination ring timer and lap counter showing my new design;
FIG. 2 is a front elevational view;
FIG. 3 is a rear elevational view;
FIG. 4 is a left side elevational view;
FIG. 5 is a right side elevational view;
FIG. 6 is a top plan view; and,
FIG. 7 is a bottom plan view thereof.
FIG. 1 has been drawn on a slightly enlarged scale with respect to FIGS. 2-7.



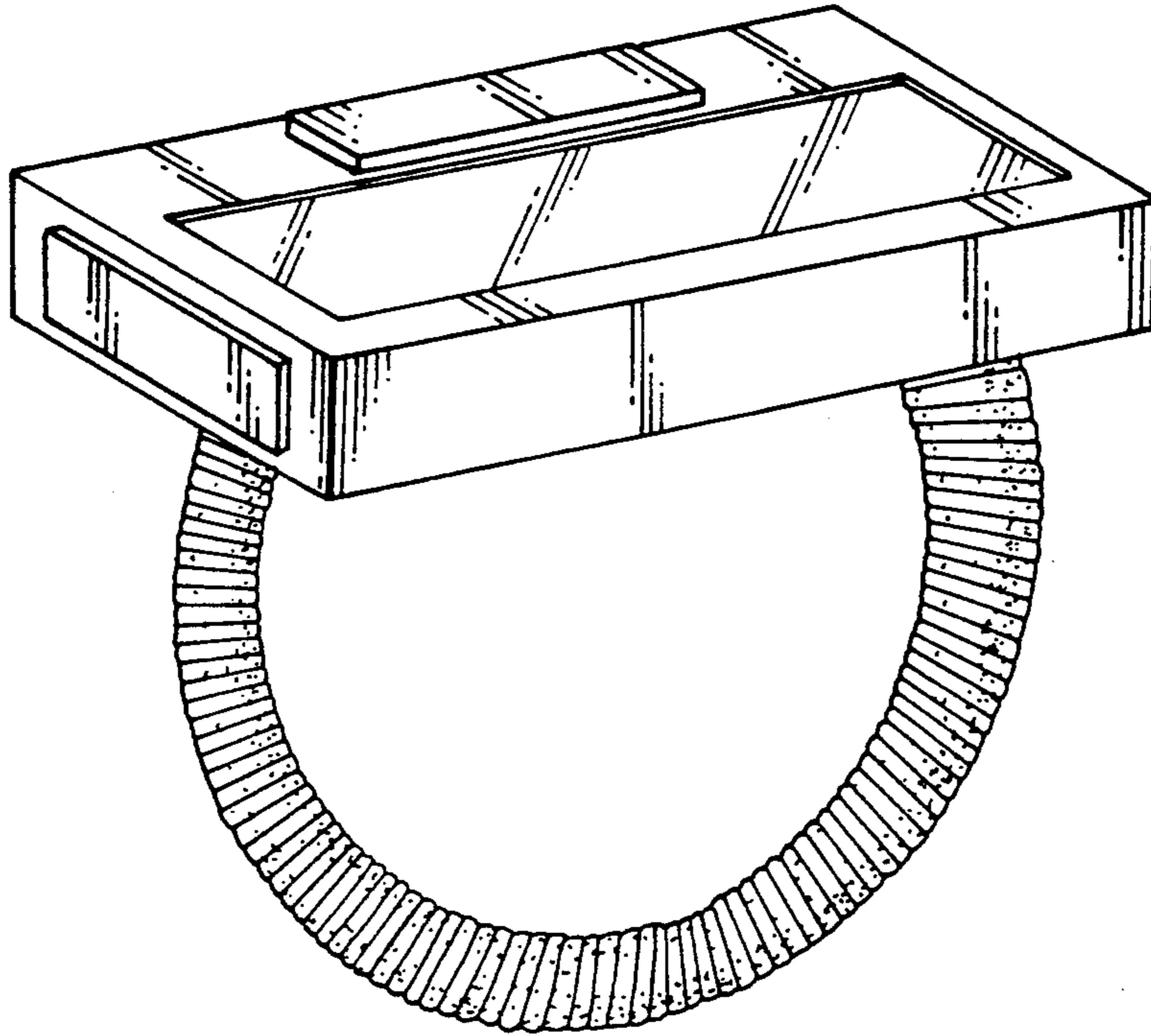


FIG. 1

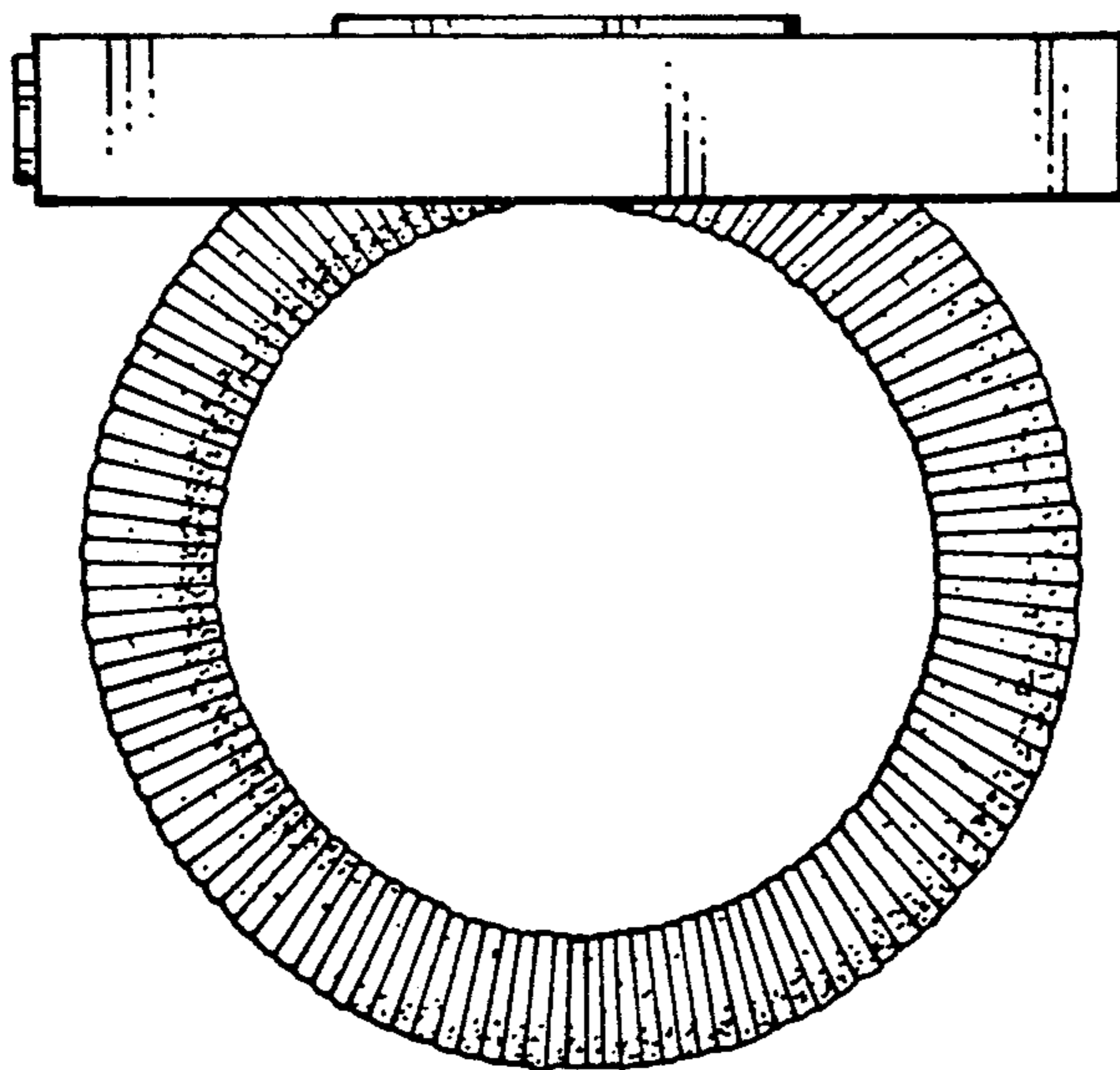


FIG. 2

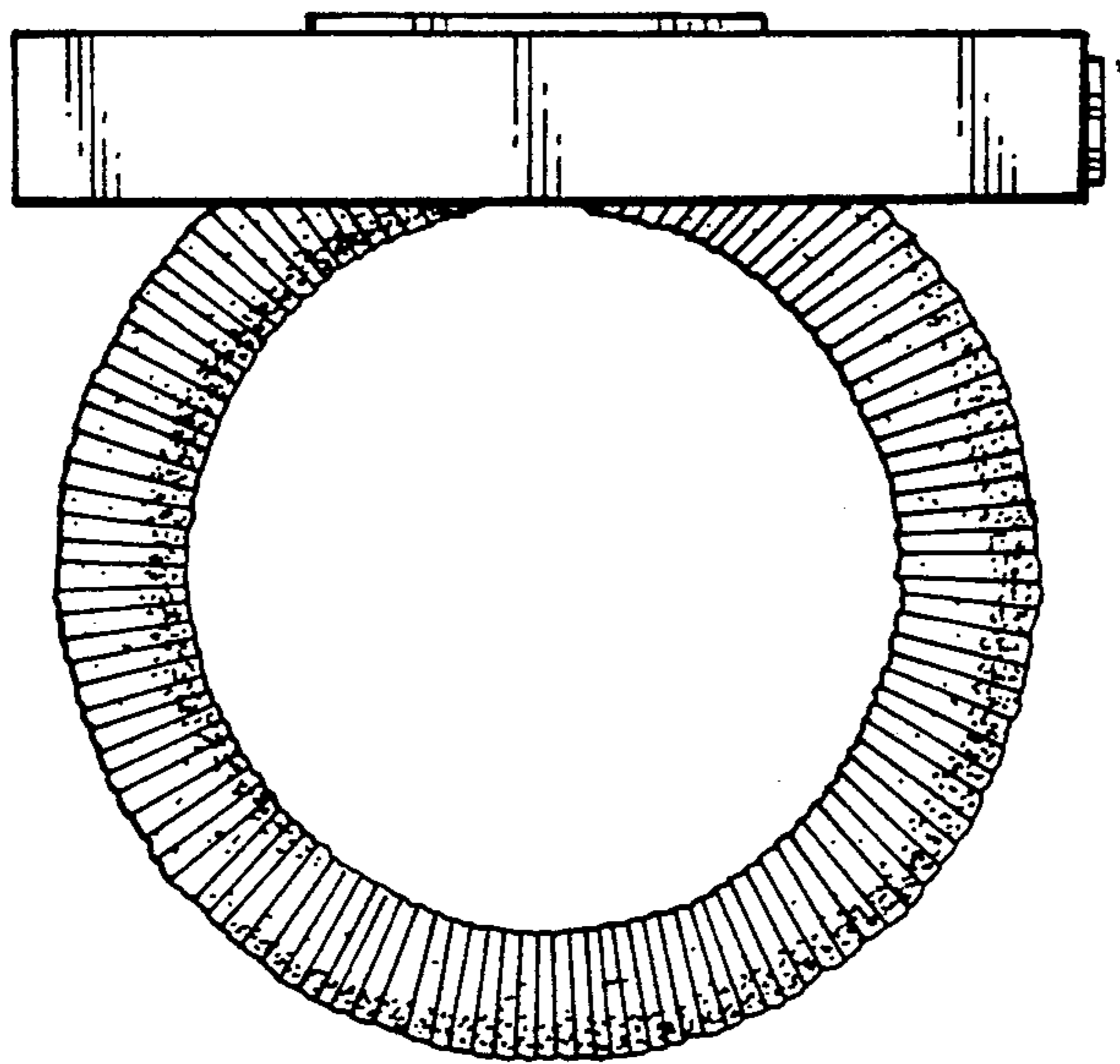


FIG. 3

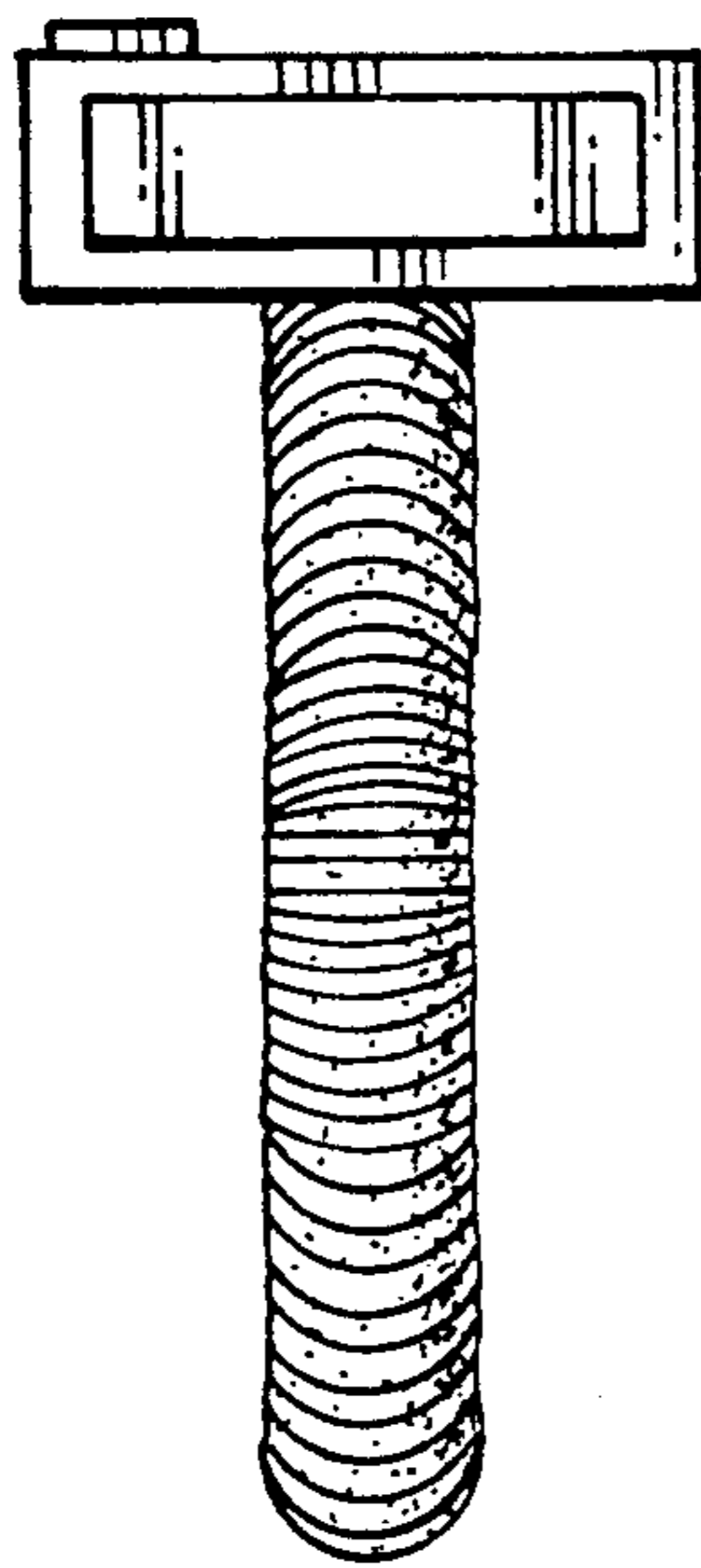


FIG. 4

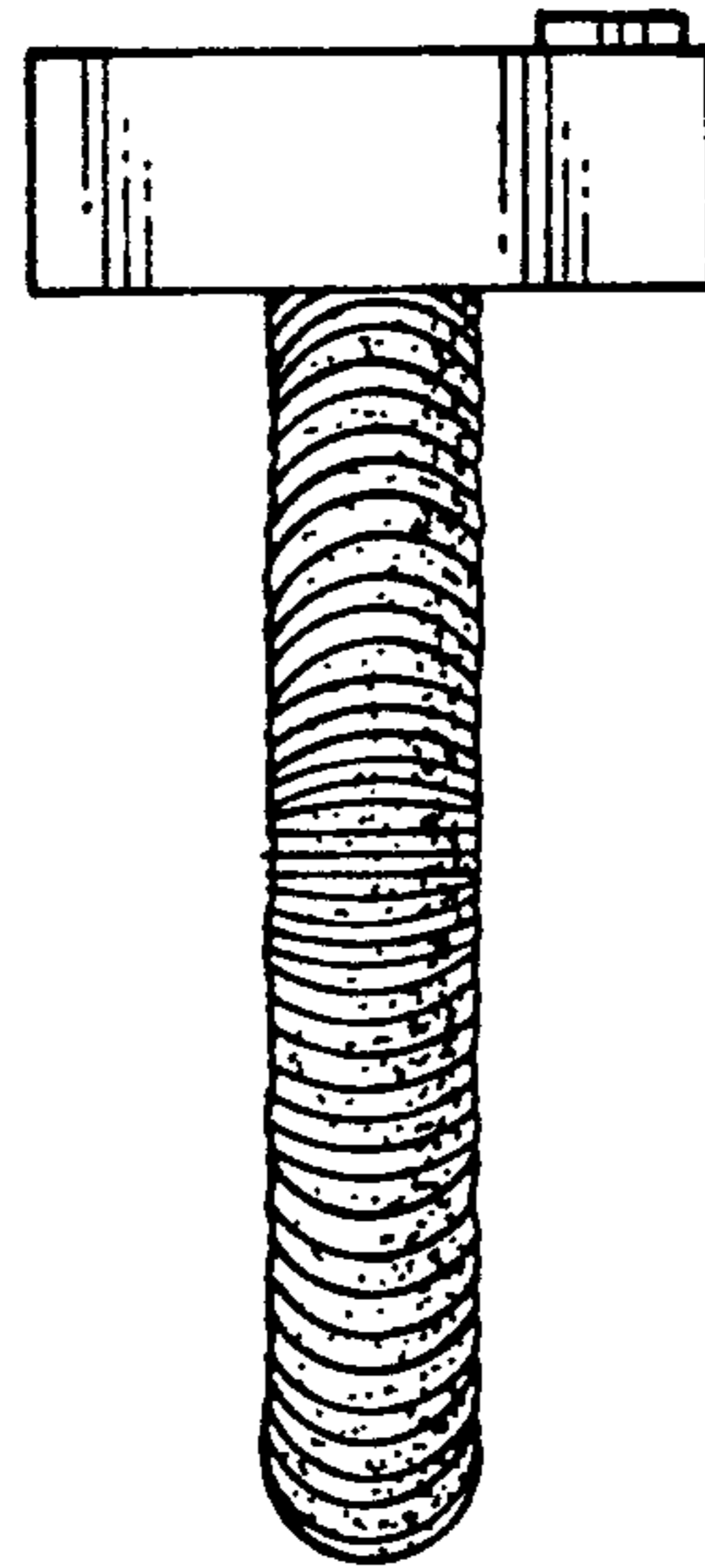


FIG. 5

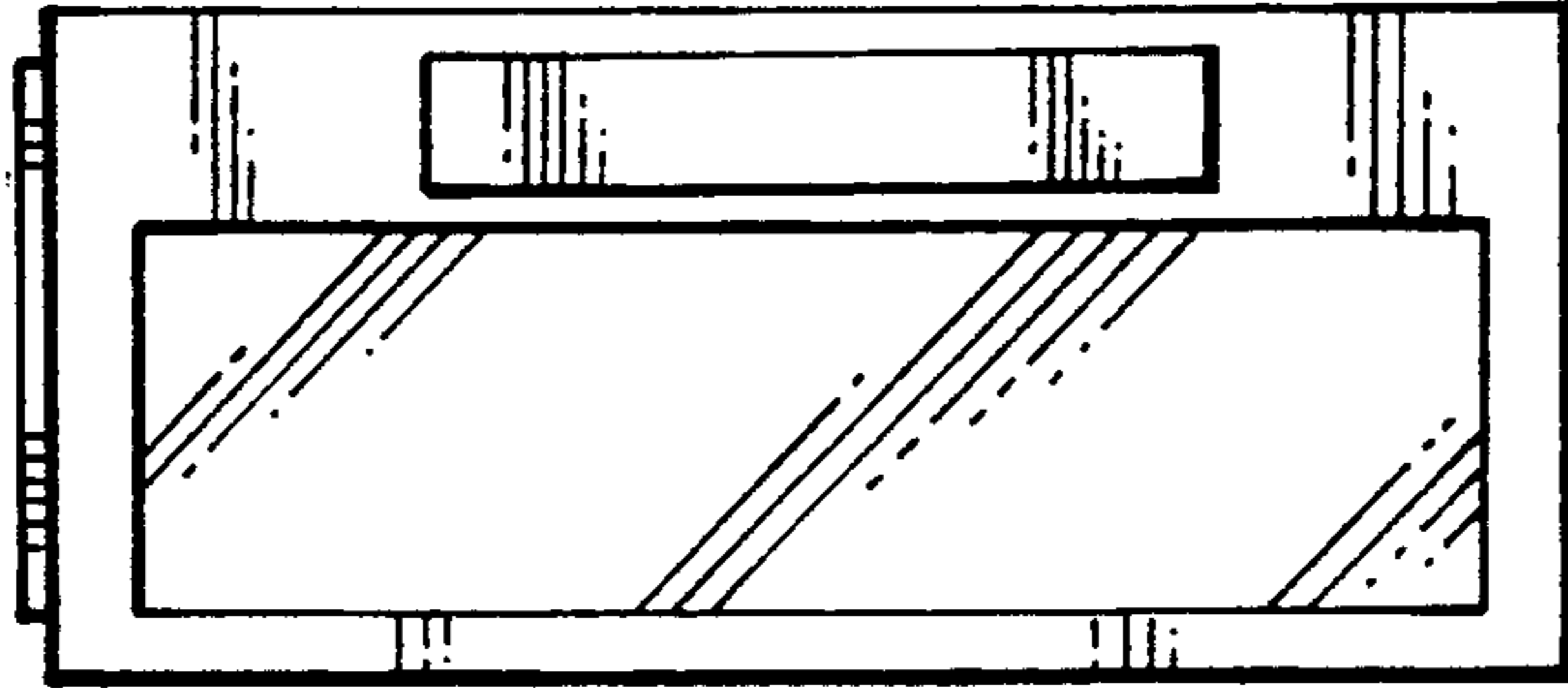


FIG. 6

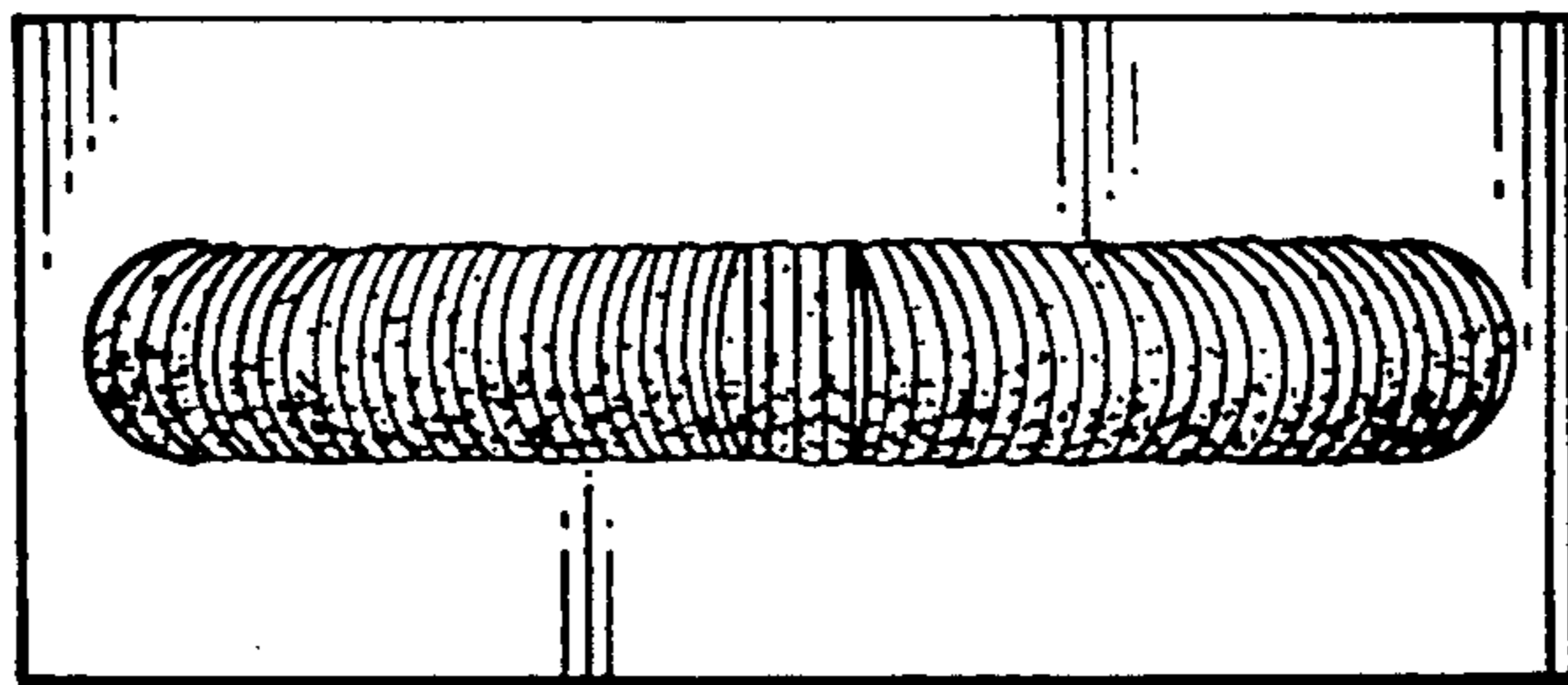


FIG. 7