



US00D329819S

# United States Patent [19]

[11] Patent Number: **Des. 329,819**

**Bottcher et al.**

[45] Date of Patent: **\*\* Sep. 29, 1992**

[54] **AUTOMOTIVE DIAGNOSTIC SYSTEM**

4,796,206 1/1989 Boscove et al. .... 364/551.01

[75] Inventors: **Thomas D. Bottcher**, Boynton Beach;  
**William E. Bratton**, Boca Raton,  
both of Fla.

*Primary Examiner*—Donald P. Walsh  
*Assistant Examiner*—Antoine D. Davis  
*Attorney, Agent, or Firm*—Richard A. Tomlin

[73] Assignee: **International Business Machines Corporation**, Armonk, N.Y.

[57] **CLAIM**

[\*\*] Term: **14 Years**

The ornamental design for an automotive diagnostic system, as shown and described.

[21] Appl. No.: **471,989**

**DESCRIPTION**

[22] Filed: **Jan. 29, 1990**

[52] U.S. Cl. .... **D10/75; D10/46**

[58] Field of Search ..... **D10/46, 75; D14/100, D14/107, 114; D24/11, 17; 324/378, 379, 402, 156; 364/130, 424.1, 424.3, 424.4, 481**

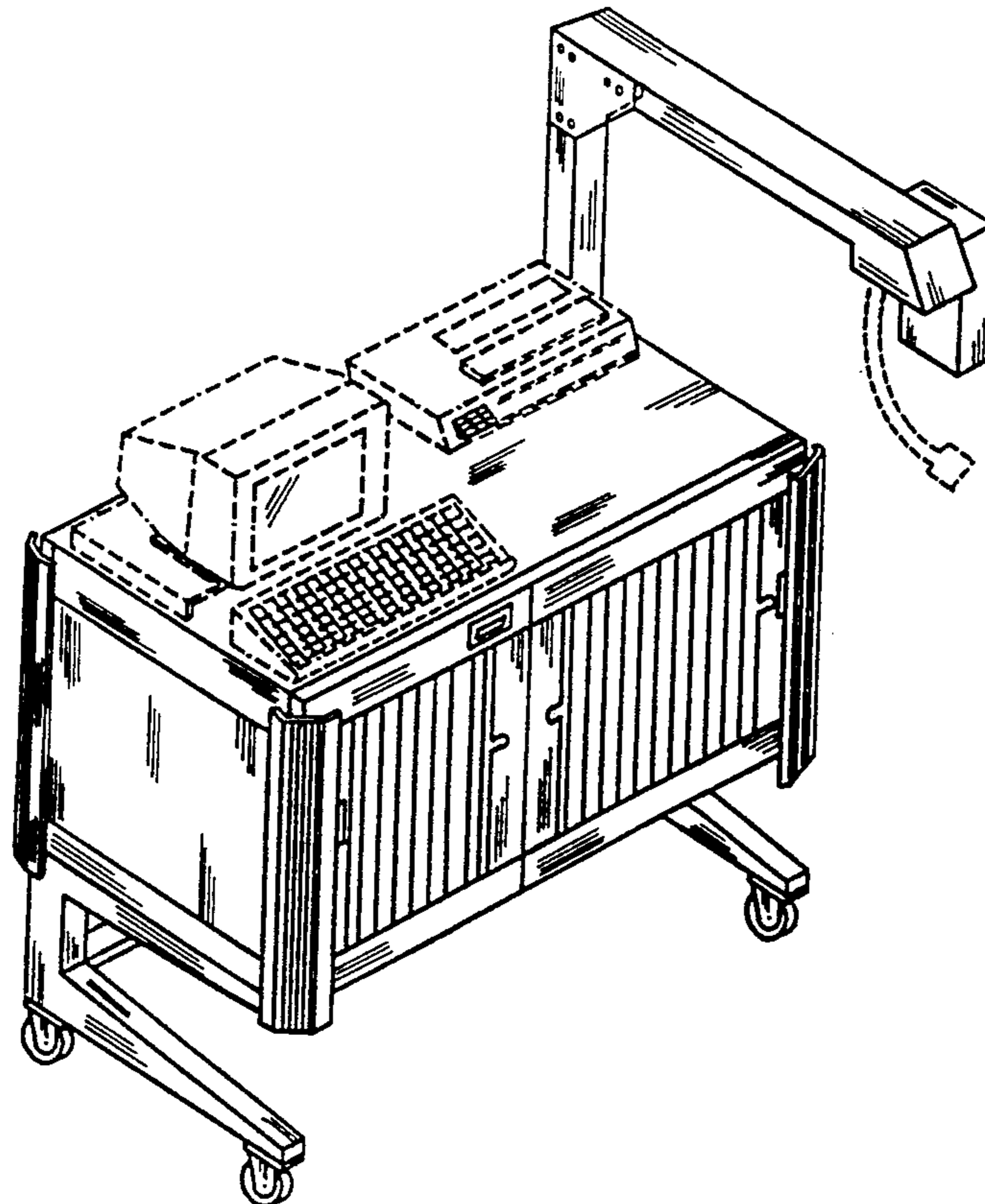
FIG. 1 is a perspective view of an automotive diagnostic system showing our new design; FIG. 2 is a front elevational view; FIG. 3 is a rear elevational view; FIG. 4 is a left side elevational view; FIG. 5 is a right side elevational view; FIG. 6 is a top plan view; FIG. 7 is a bottom plan view; FIG. 8 is a perspective view; FIG. 9 is a front elevational view; FIG. 10 is a rear elevational view; FIG. 11 is a left side elevational view; FIG. 12 is a right side elevational view; FIG. 13 is a top plan view; and, FIG. 14 is a bottom plan view thereof.

[56] **References Cited**

**U.S. PATENT DOCUMENTS**

D. 178,036	6/1956	Brown	.....	D26/5
D. 253,235	10/1979	Schick	.....	D14/43
D. 267,553	1/1983	Bressler et al.	.....	D10/75
D. 299,345	1/1989	Foy et al.	.....	D14/102
D. 310,494	9/1990	Rzadzki et al.	.....	D10/75
D. 313,764	1/1991	Shaffer et al.	.....	D10/75
D. 313,947	1/1991	Shaffer et al.	.....	D10/75
1,659,041	2/1928	Morgan	.....	324/378
4,337,515	6/1982	Kroft	.....	D10/75 X
4,470,016	9/1984	Palmer	.....	324/402
4,757,463	7/1988	Ballou et al.	.....	364/551

FIGS. 1-7 have been drawn on a reduced scale with respect to FIGS. 8-15. Also, the broken line showing of a computer, a keyboard and printer are environmental only and form no part of the claimed design.



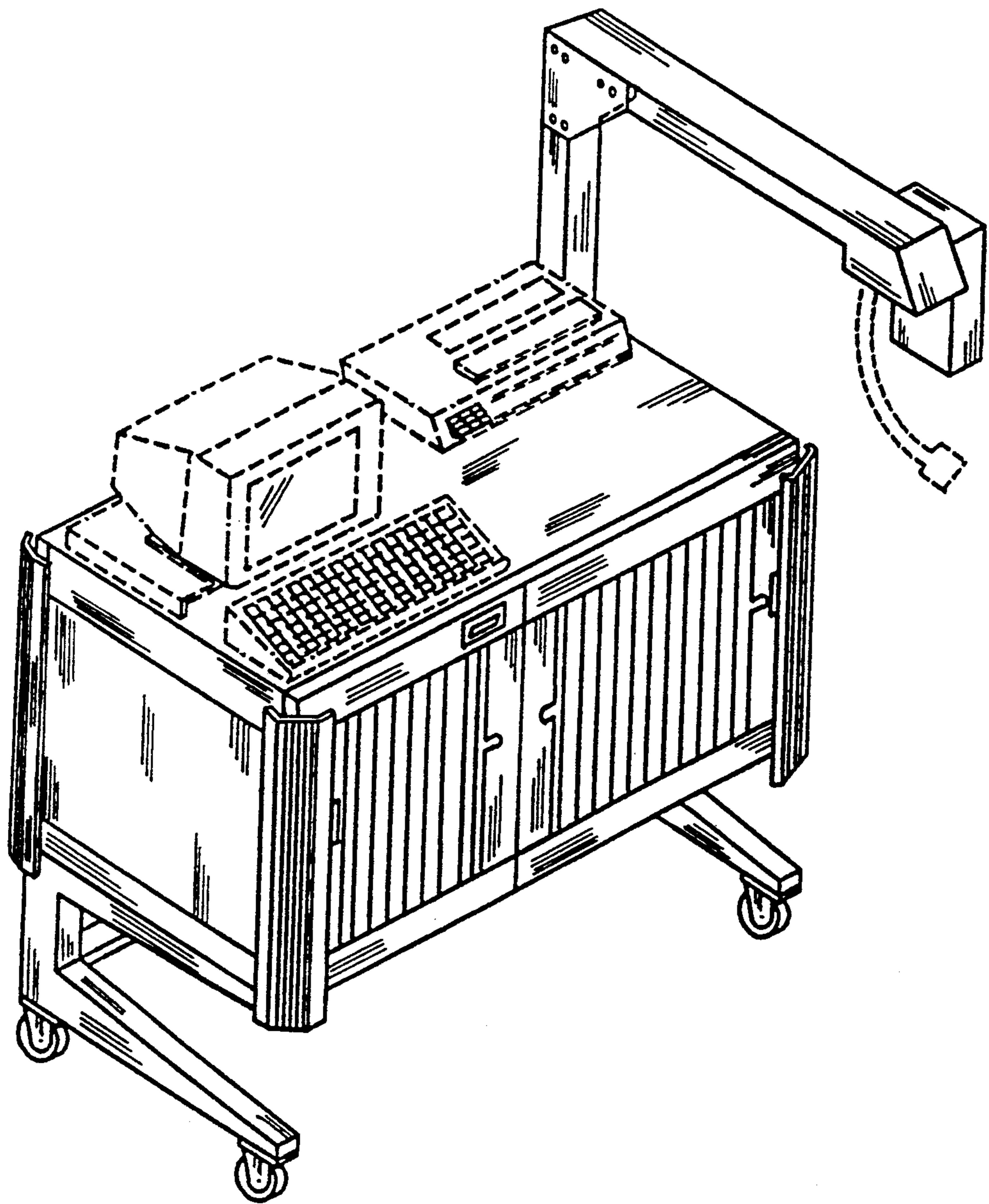


FIG. 1

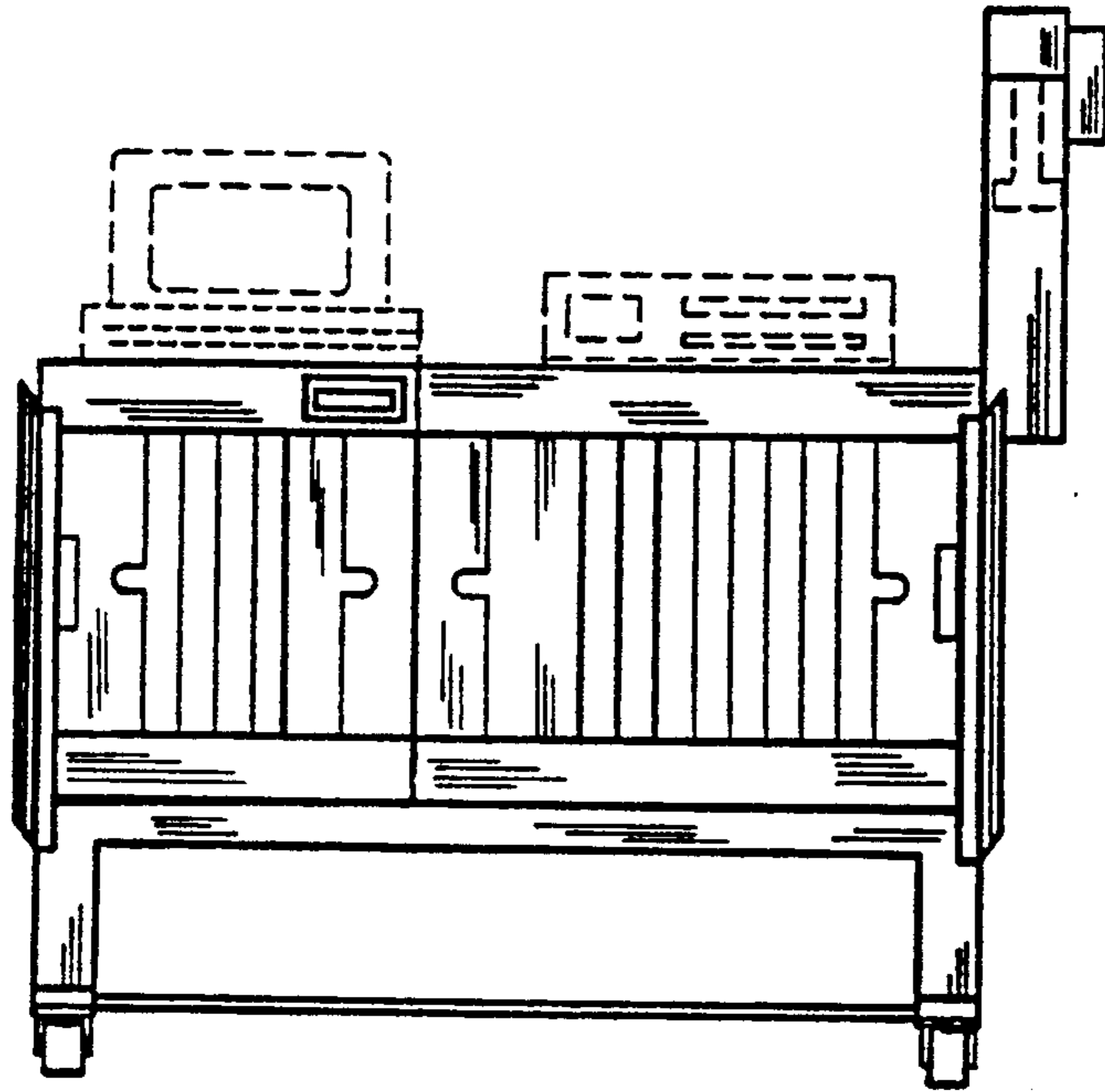


FIG. 2

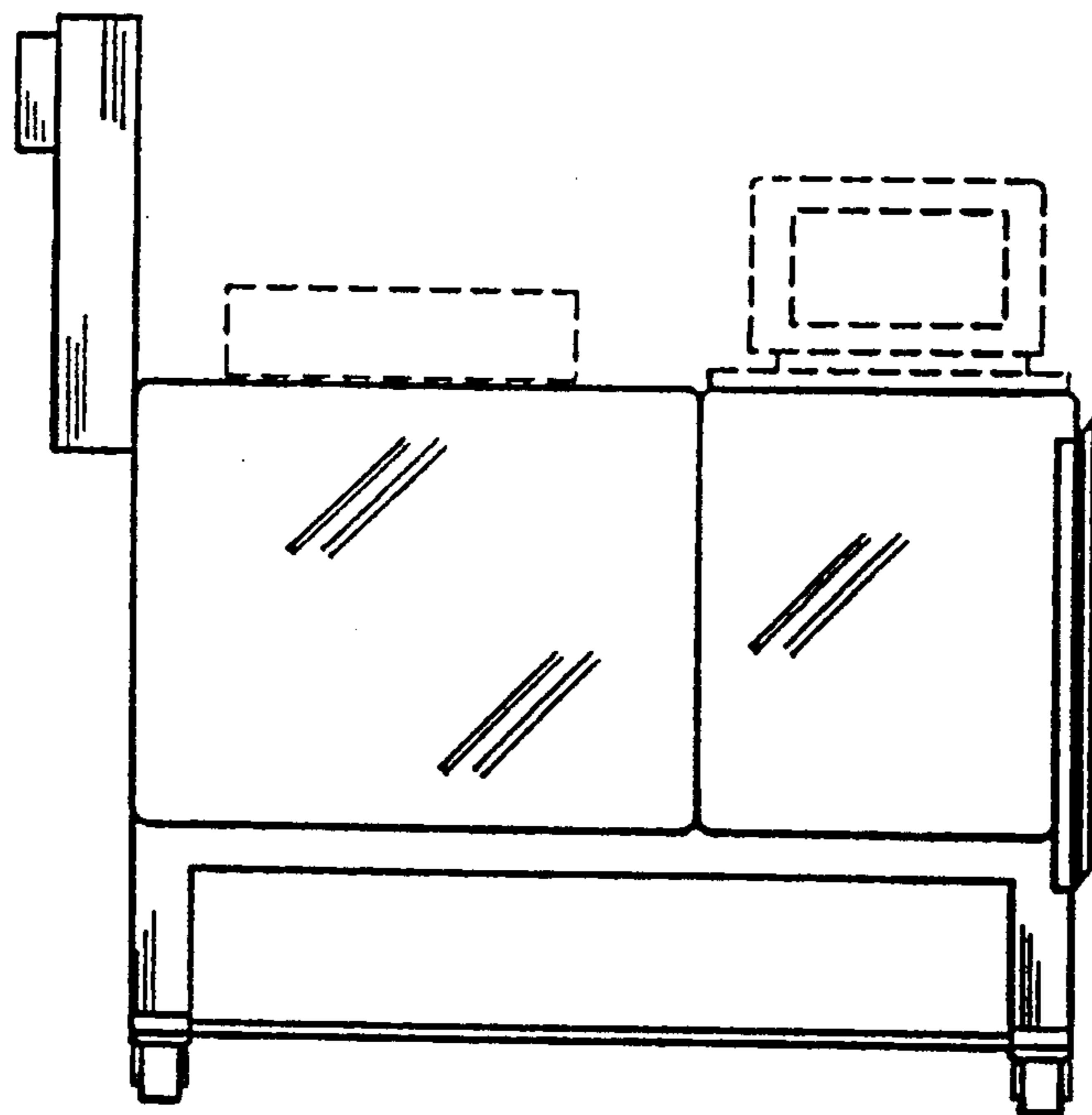


FIG. 3

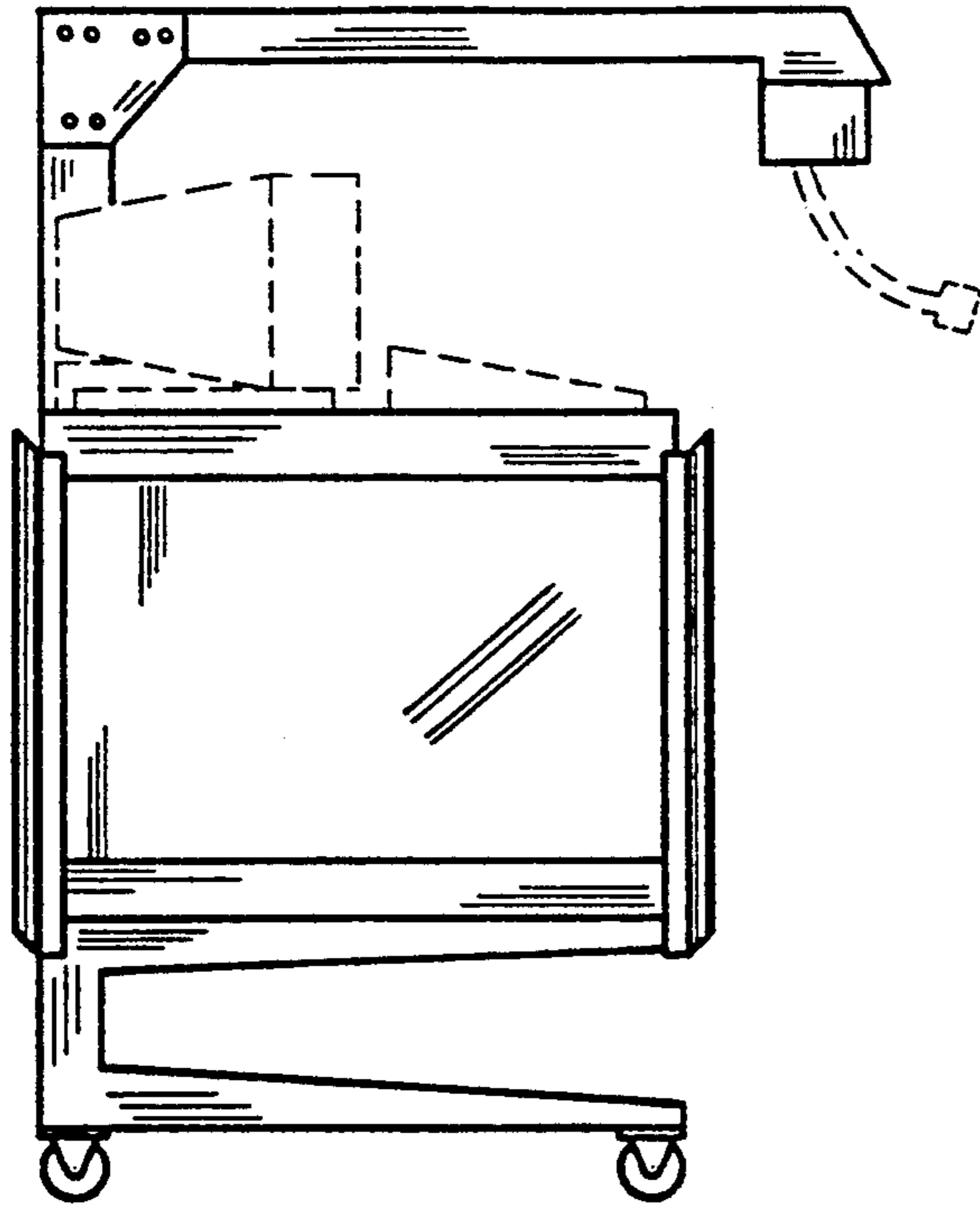


FIG. 4

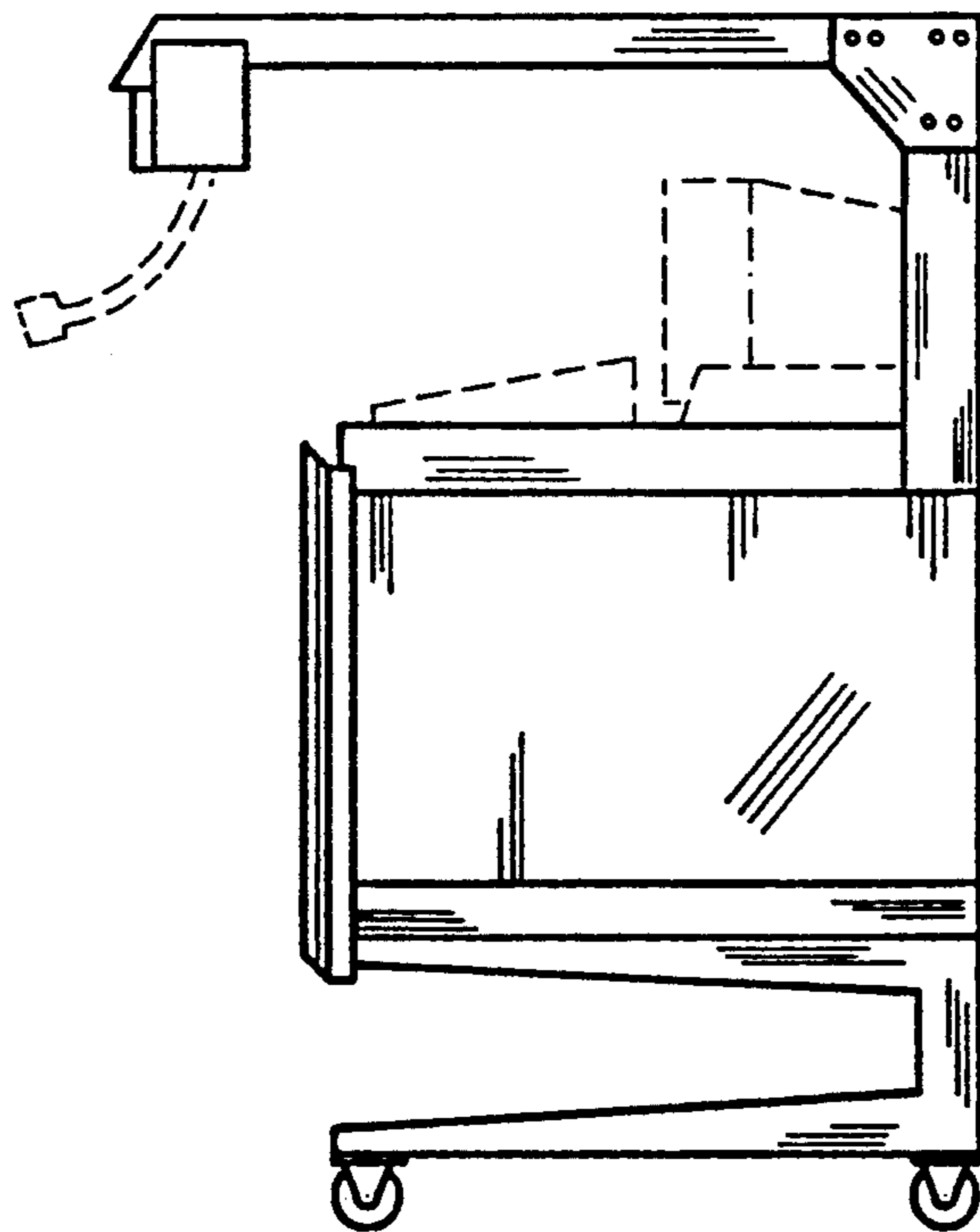


FIG. 5

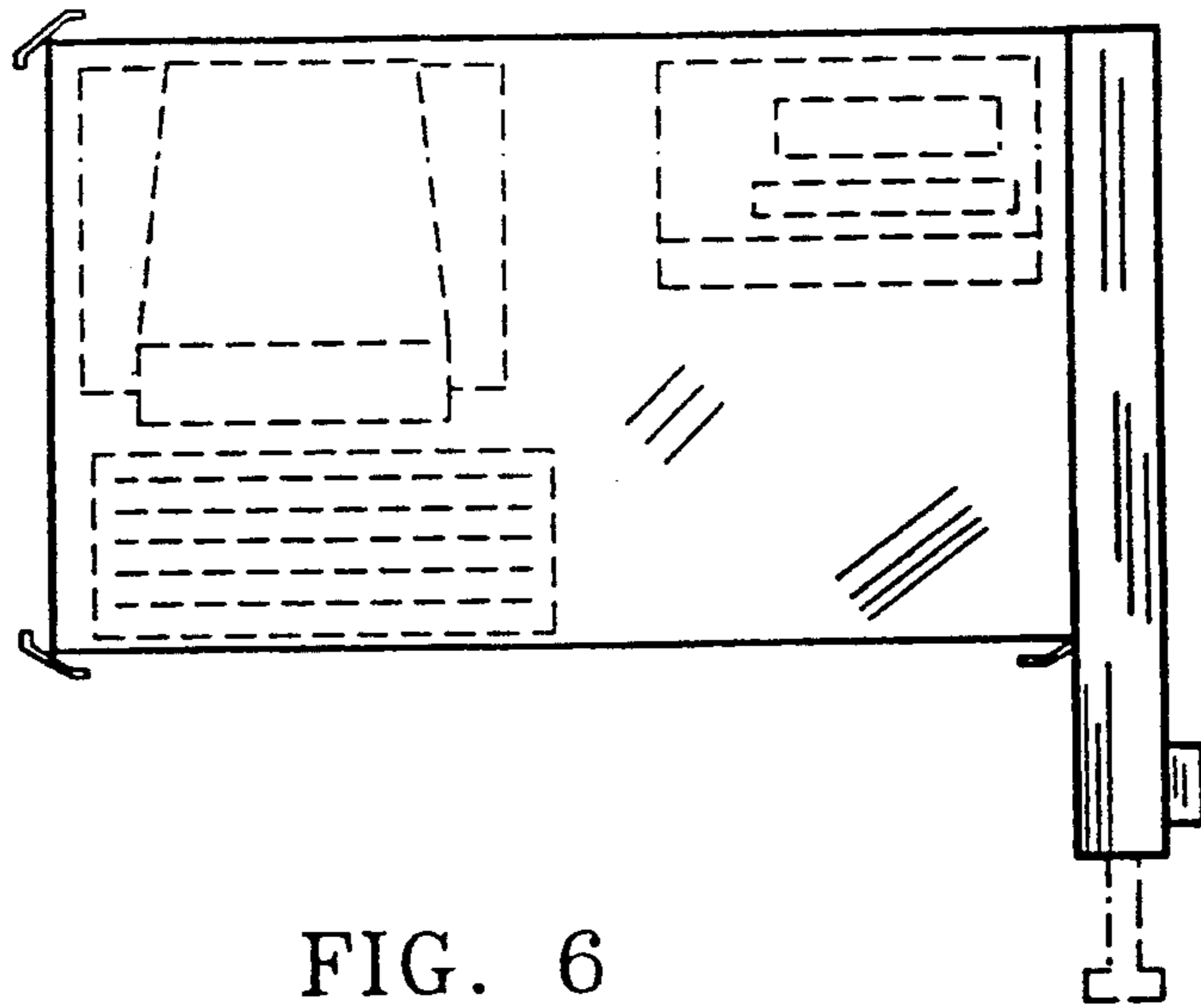


FIG. 6

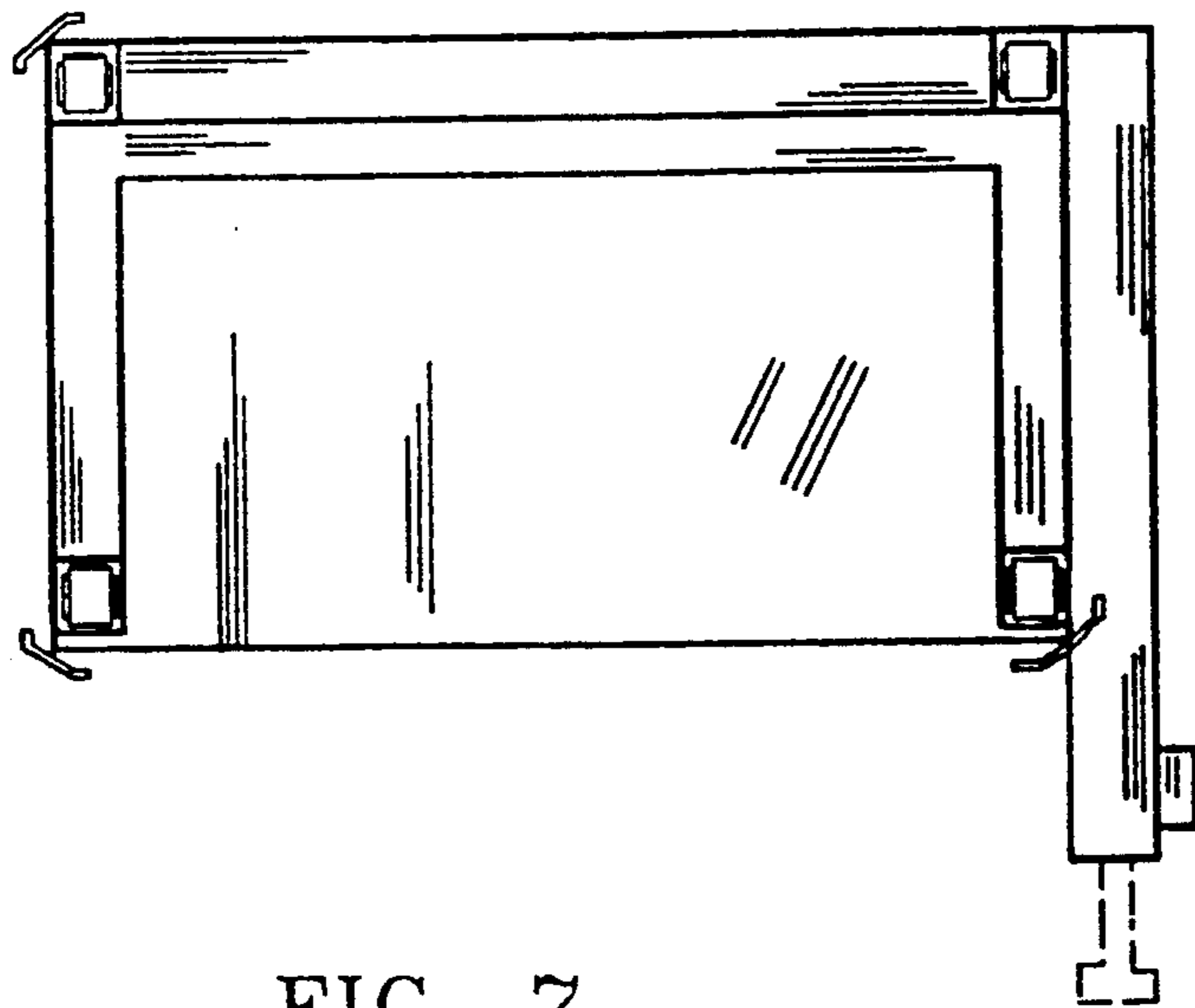


FIG. 7

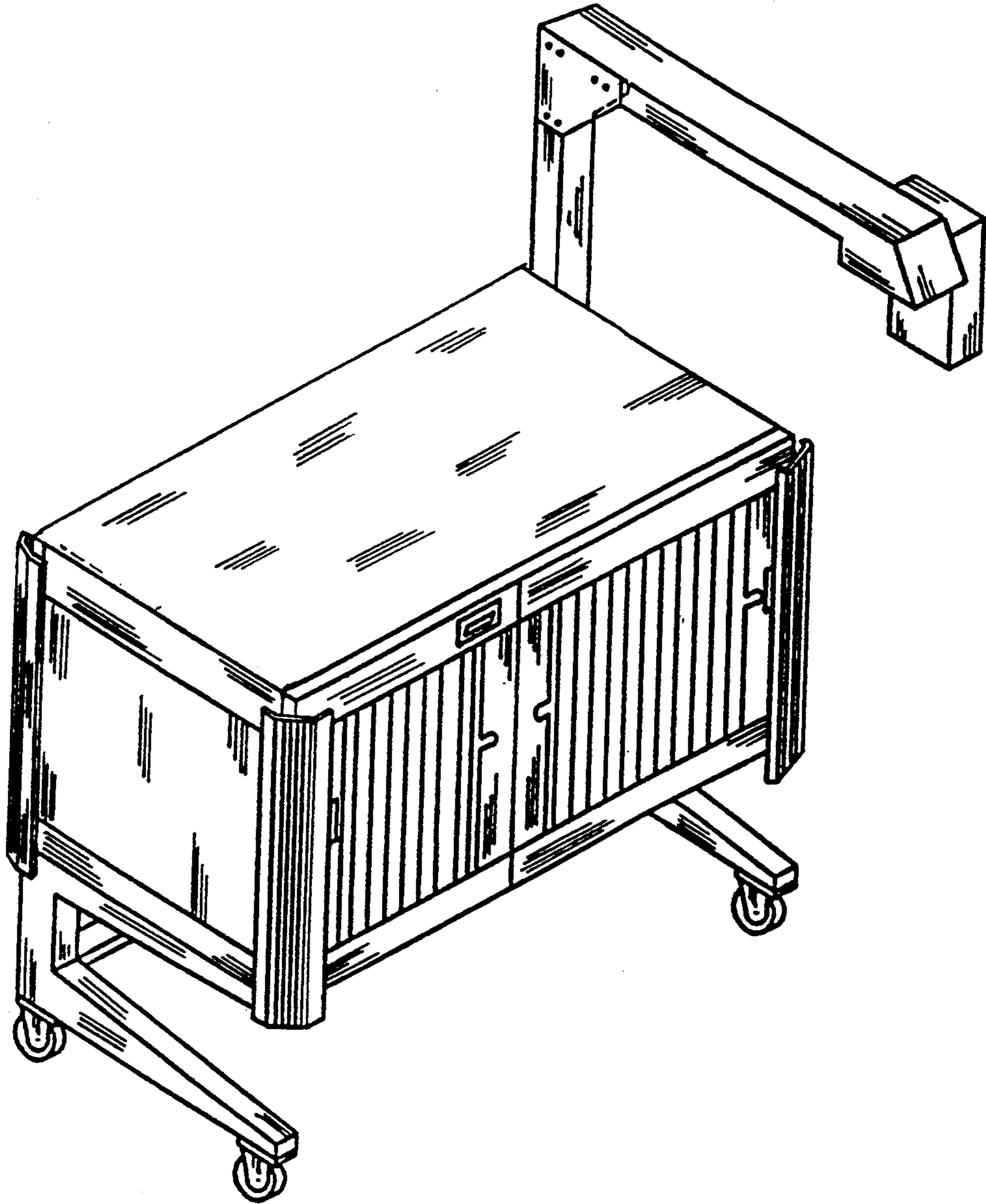


FIG. 8

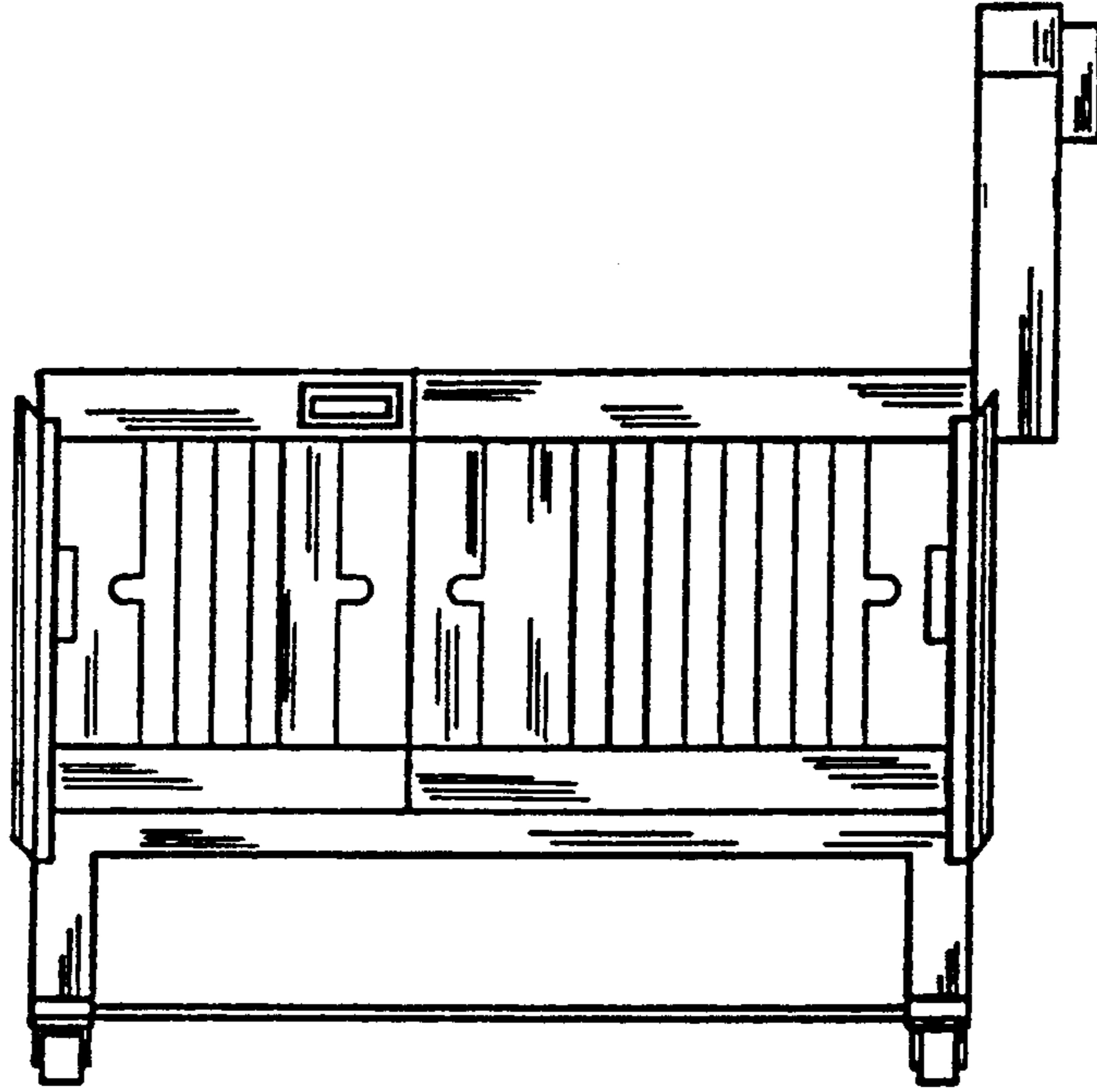


FIG. 9

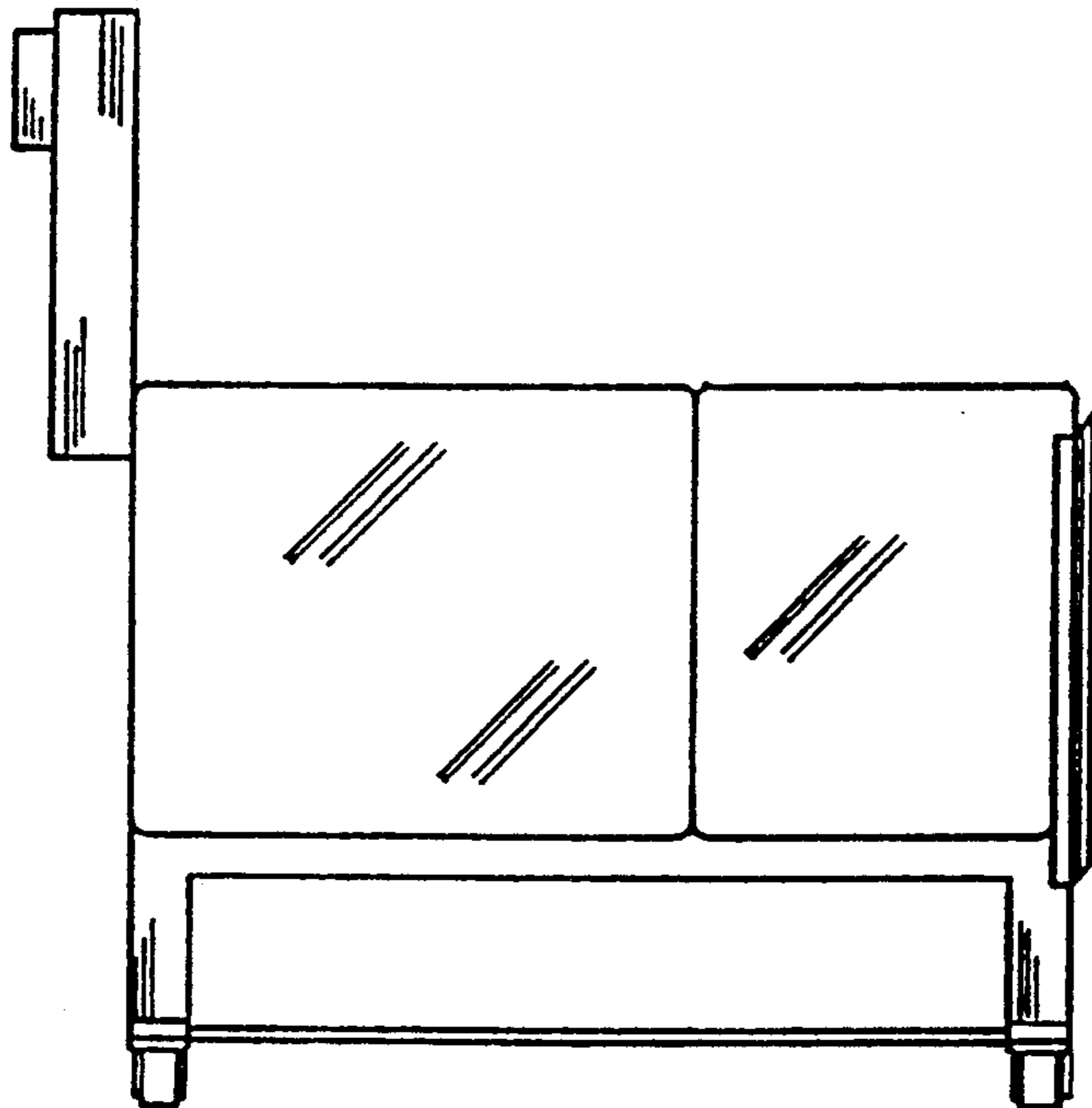


FIG. 10

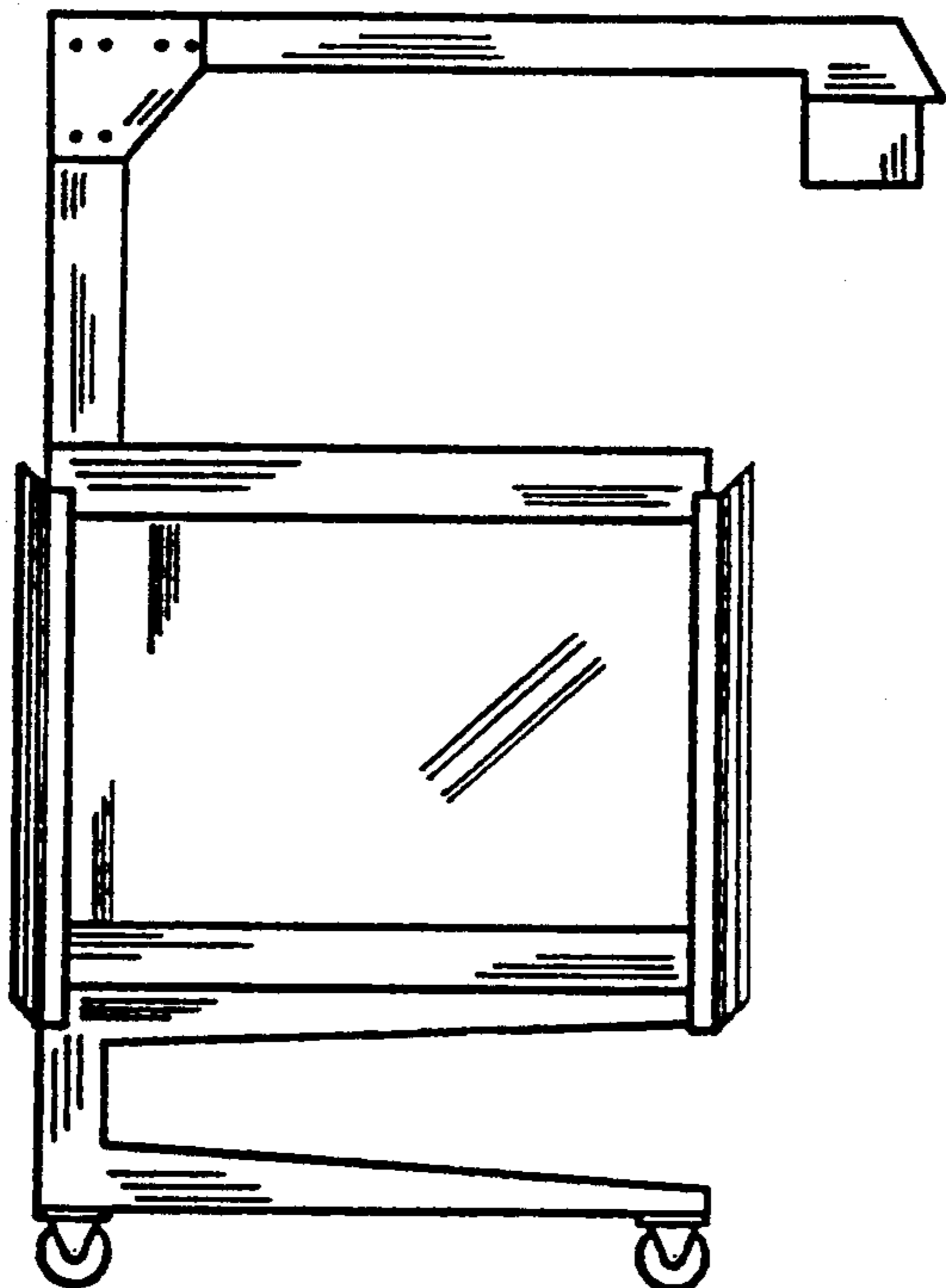


FIG. 11

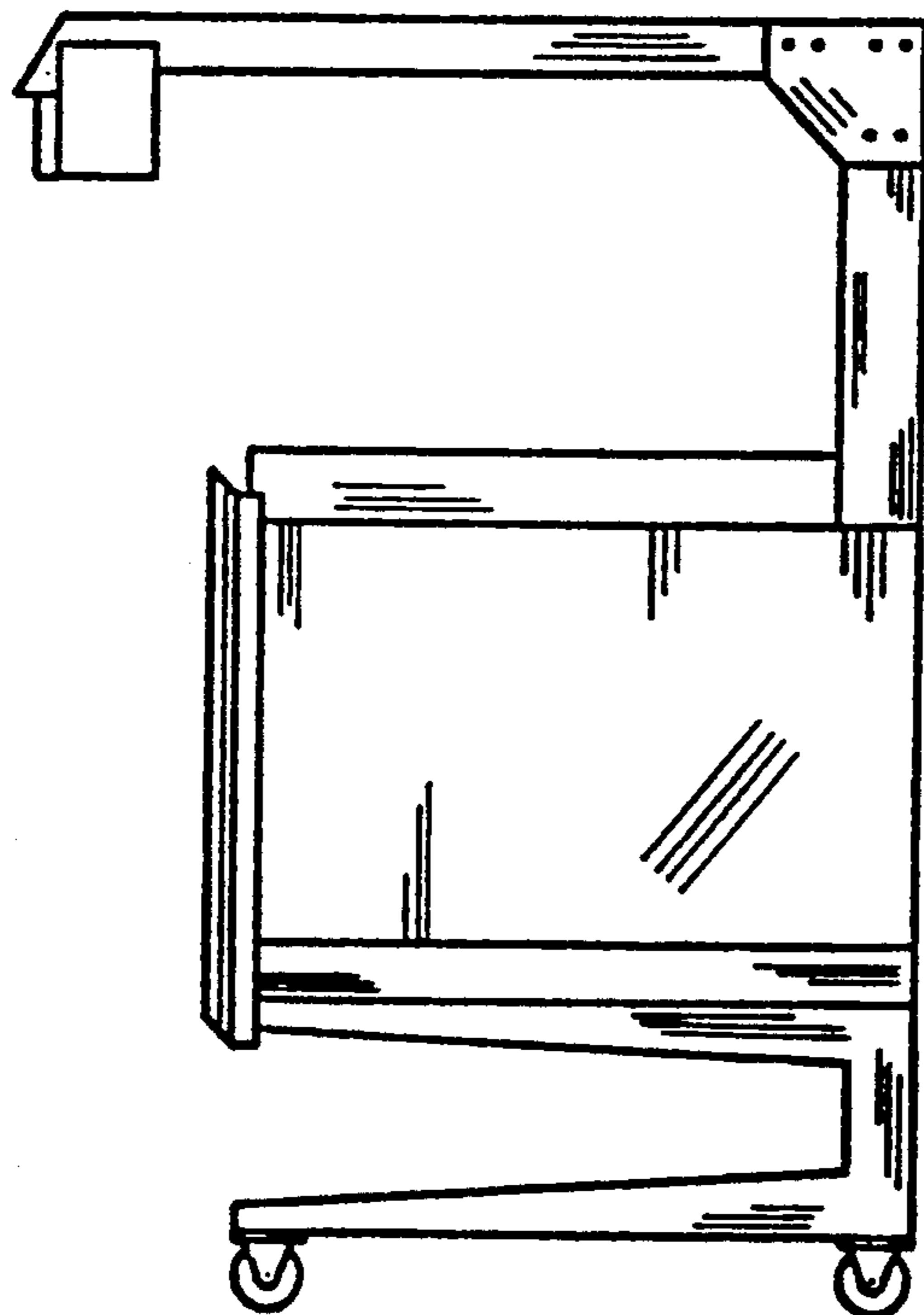


FIG. 12



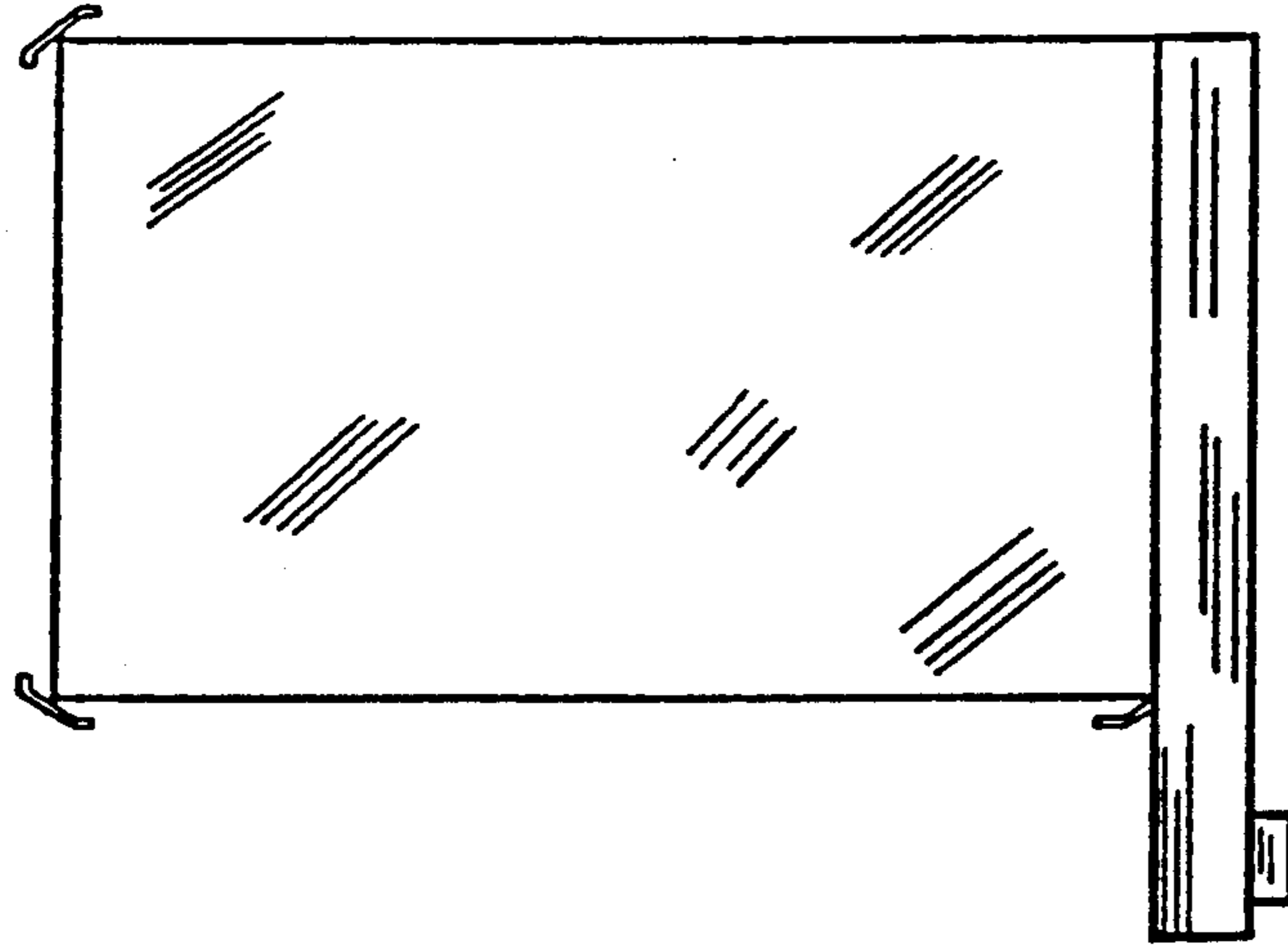


FIG. 13

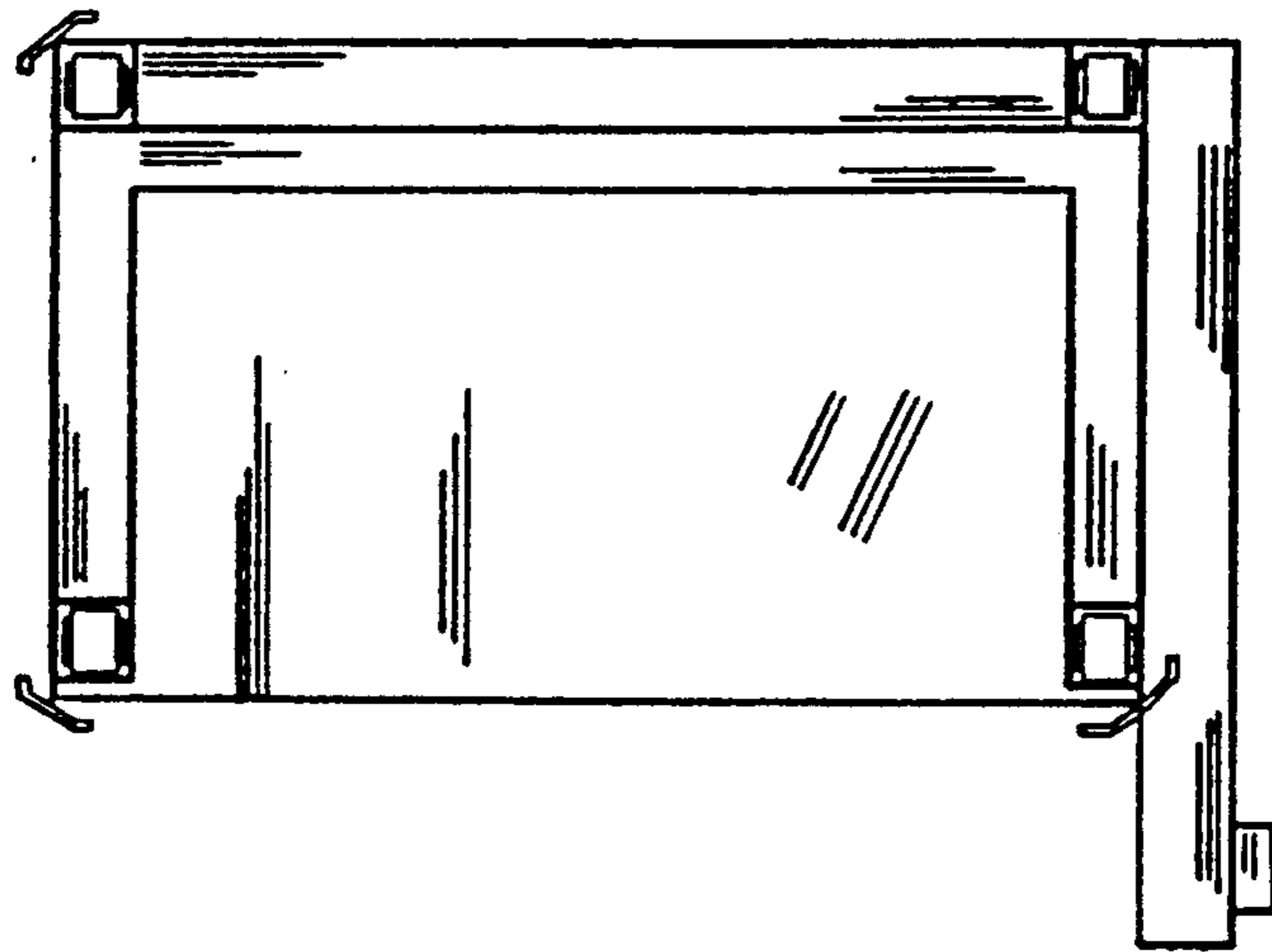


FIG. 14