



US00D329818S

United States Patent [19] Lam

[11] Patent Number: **Des. 329,818**

[45] Date of Patent: **** Sep. 29, 1992**

[54] WRISTWATCH WITH COVER

[76] Inventor: **Leslie Lam**, 502 Join-in Hang Sing Centre, 71-75 Container Port Road, Kwai Chung N.T., Hong Kong

[**] Term: **14 Years**

[21] Appl. No.: **557,662**

[22] Filed: **Jul. 25, 1990**

[52] U.S. Cl. **D10/39; D10/30; D10/18**

[58] Field of Search **D10/1-40, D10/122-132; 368/276-277, 280-282, 285**

[56] References Cited

U.S. PATENT DOCUMENTS

D. 66,781	3/1925	Tworski	D10/31
D. 115,072	5/1939	Shillaber	D10/31
D. 150,129	7/1948	Geduldig	D10/38 X
D. 157,607	3/1950	Lachman	D10/38

OTHER PUBLICATIONS

Jeweler's Circular-Keystone—Jan. 1964, p. 21 watch at center.

Swiss Watch & Jewelry Journal—Jun. 1982, p. 671—watch.

Primary Examiner—Nelson C. Holtje

Attorney, Agent, or Firm—Dennison, Meserole, Pollack & Scheiner

[57] CLAIM

The ornamental design for a wristwatch with cover, as shown and described.

DESCRIPTION

FIG. 1 is a top, front and left side perspective views of a wristwatch with cover showing my new design;

FIG. 2 is a bottom and right rear perspective view thereof;

FIG. 3 is a rear elevational view thereof; and,

FIG. 4 is a top front perspective view thereof with the cover open and watch extended.

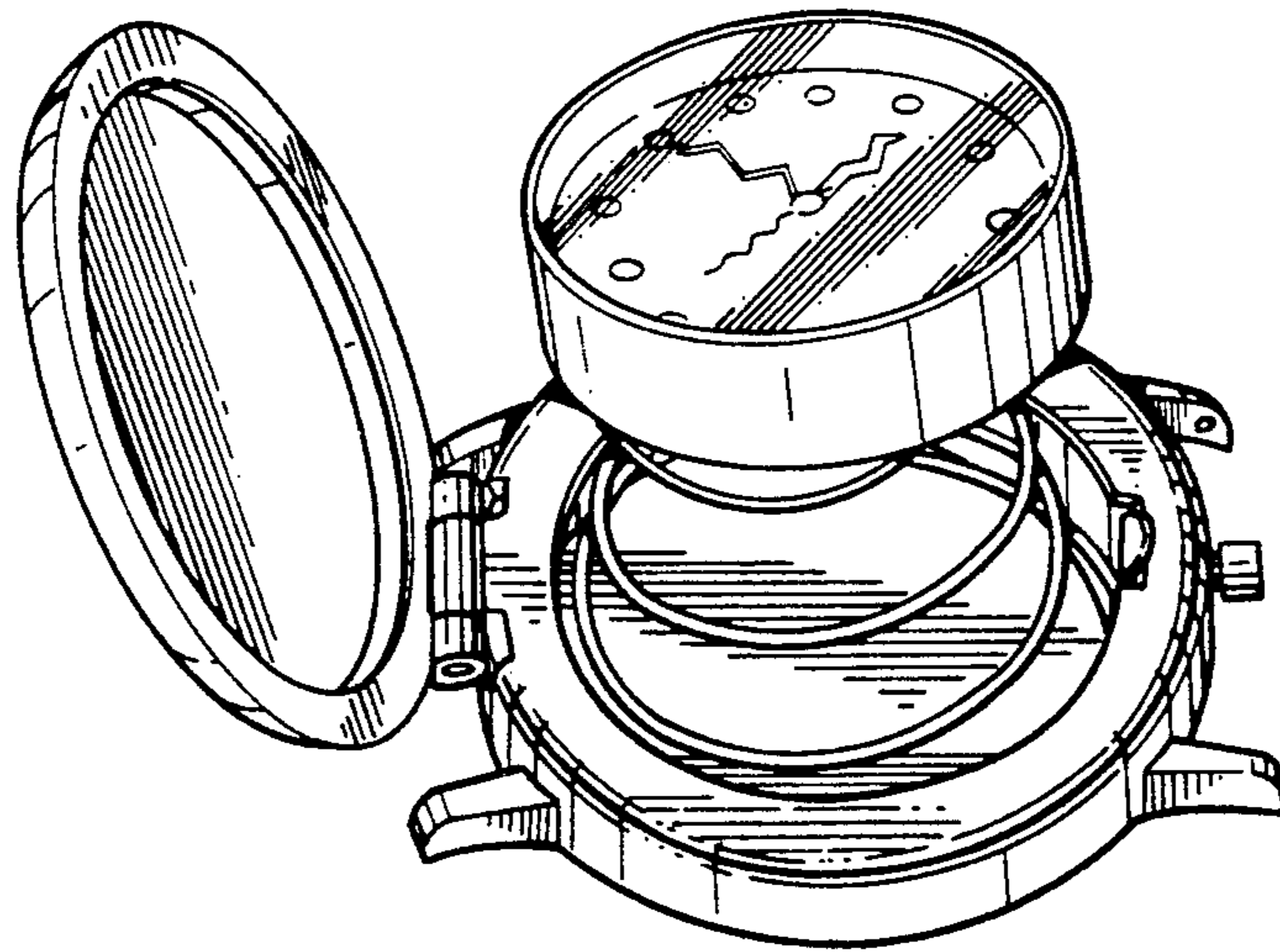


FIG. 1

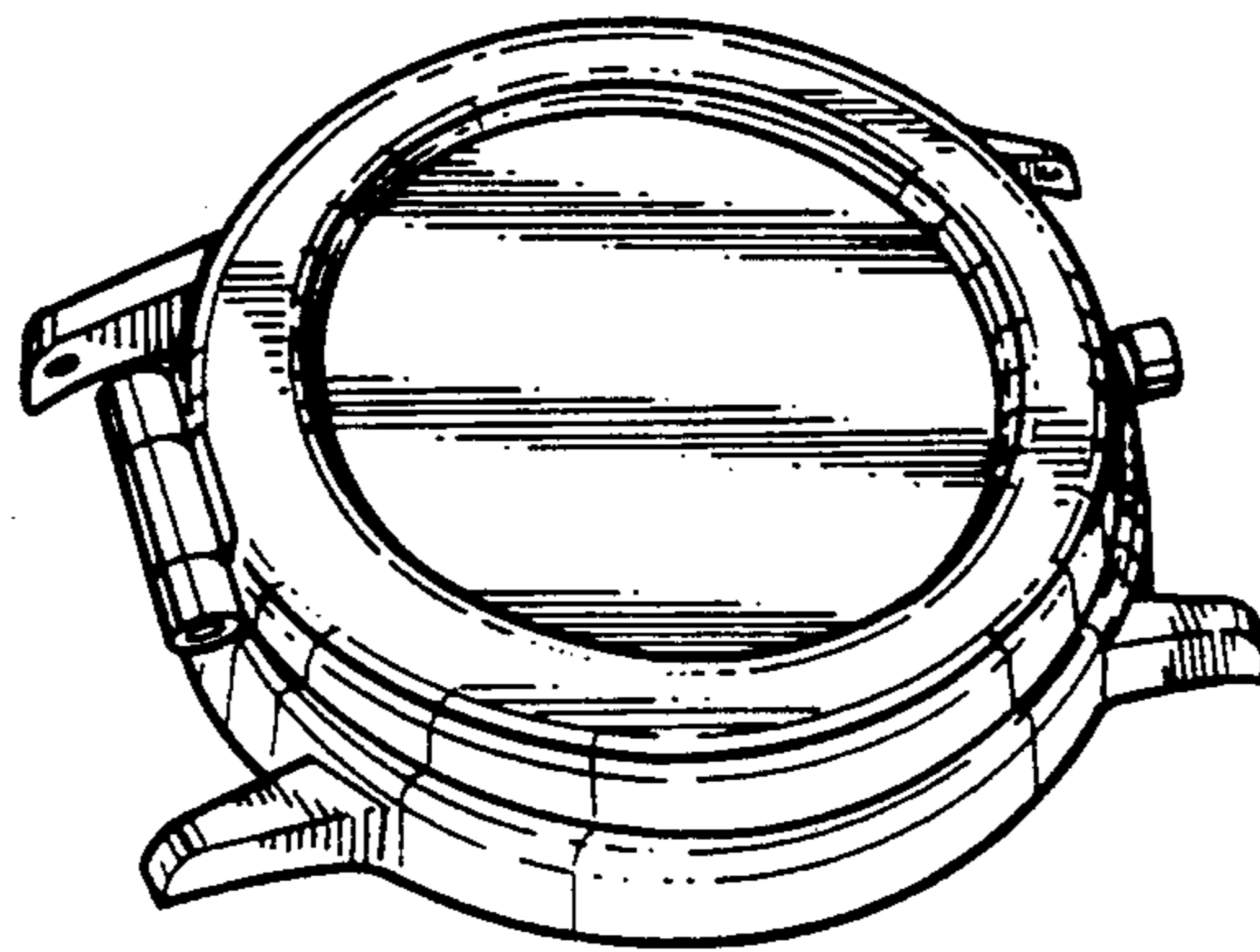


FIG. 2

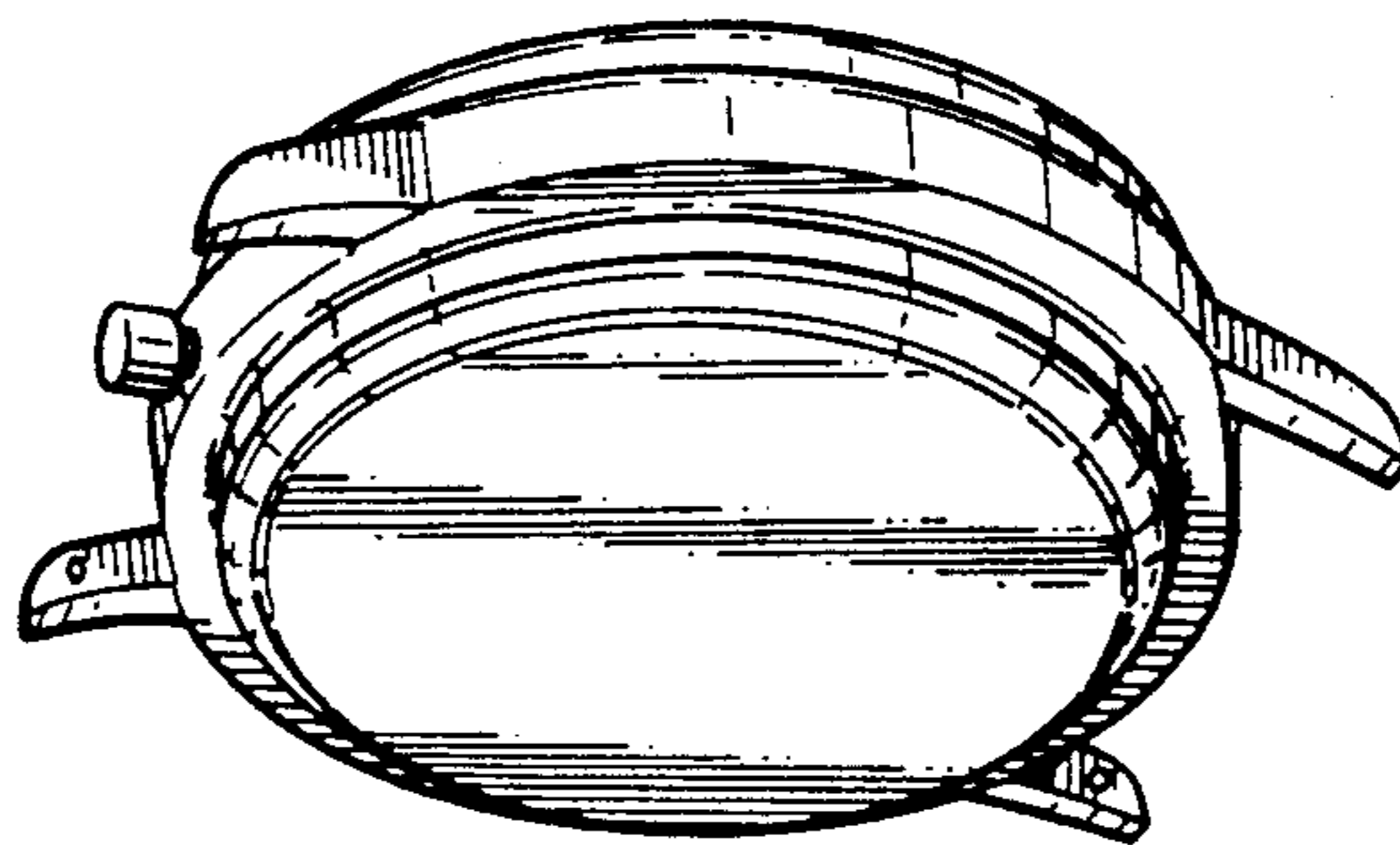


FIG. 3

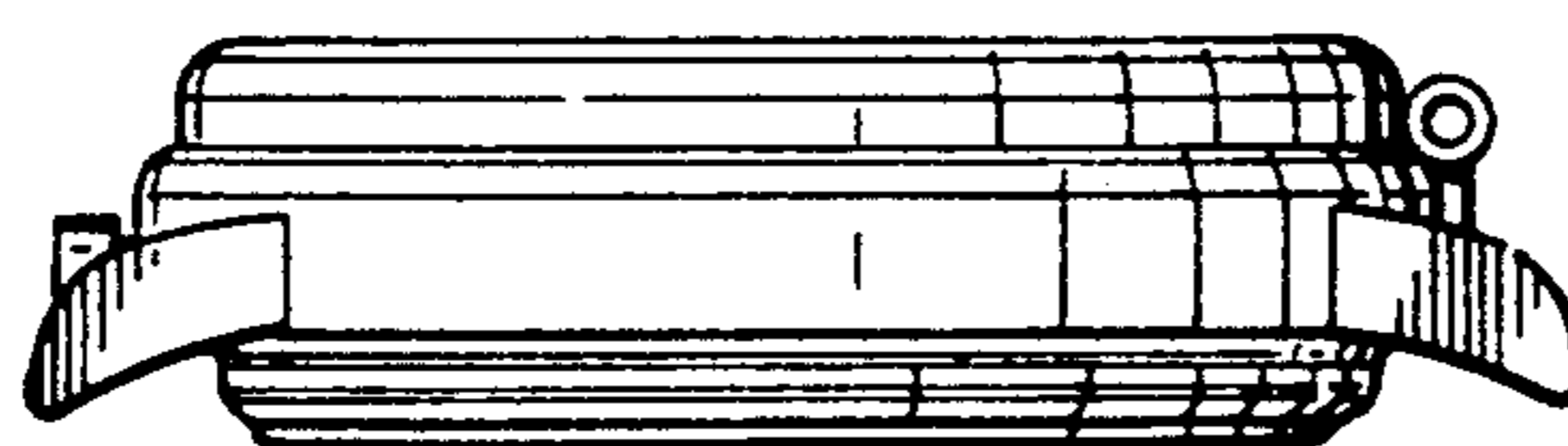


FIG. 4

