



US00D329813S

United States Patent [19]

[11] Patent Number: **Des. 329,813**

Richter et al.

[45] Date of Patent: **** Sep. 29, 1992**

[54] **CONTAINER**

[75] Inventors: **Simon J. Richter, Marietta, Ga.;**
Frank G. Hohmann, Tenafly, N.J.

[73] Assignee: **The Coca-Cola Company, Atlanta, Ga.**

[**] Term: **14 Years**

[21] Appl. No.: **831,761**

[22] Filed: **Feb. 5, 1992**

D. 284,641 7/1986 Jones D9/376 X
D. 305,981 2/1990 Levee D9/374
D. 321,650 11/1991 Braginetz D9/374

Primary Examiner—Bernard Ansher
Assistant Examiner—Lucy Lieberman
Attorney, Agent, or Firm—Lynne R. O'Brien; Eduardo M. Carreras; W. Dexter Brooks

[57] **CLAIM**

The ornamental design for a container, as shown.

DESCRIPTION

FIG. 1 is a perspective view of a container showing our new design;
FIG. 2 is a side elevational view thereof;
FIG. 3 is a side elevational view thereof rotated clockwise from FIG. 2;
FIG. 4 is a side elevational view thereof rotated clockwise from FIG. 3;
FIG. 5 is a rear elevational view thereof rotate clockwise from FIG. 4;
FIG. 6 is a top plan view thereof;
FIG. 7 is a bottom plan view thereof;
FIG. 8 is a vertical cross-sectional view taken on lines 8—8 of FIG. 6; and,
FIG. 9 is a horizontal cross-section taken on lines 9—9 of FIG. 2.

Related U.S. Application Data

[63] Continuation-in-part of Ser. No. 429,339, Oct. 31, 1989, abandoned.

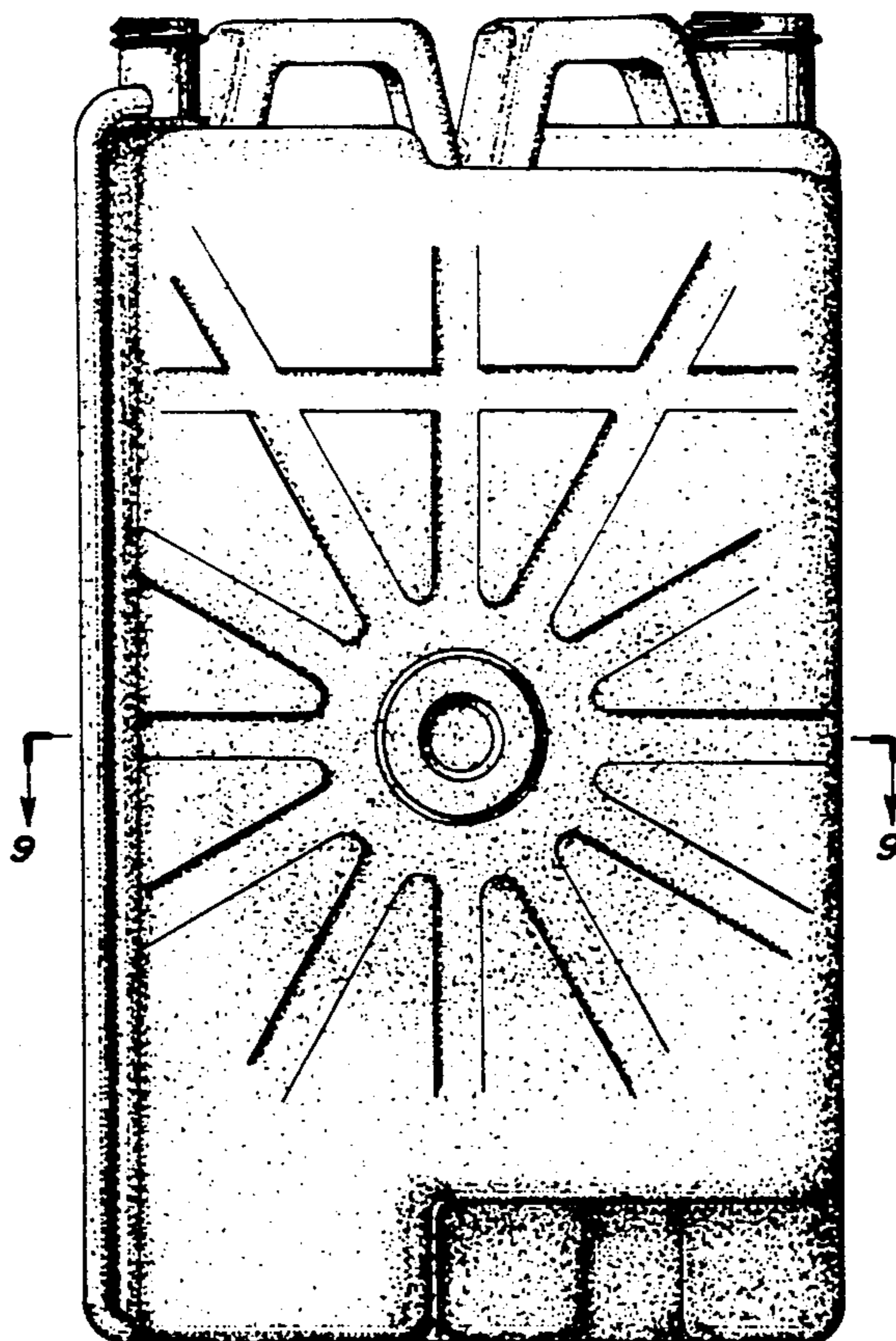
[52] U.S. Cl. **D9/524; D9/528; D9/533**

[58] Field of Search **D9/376, 374, 375, 373, D9/370, 380, 330, 331, 403-413; D7/313, 315; 215/1 R, 1 C, 100 A**

[56] **References Cited**

U.S. PATENT DOCUMENTS

D. 202,382 9/1965 Heisler D9/380
D. 252,257 7/1979 Dobbs et al. D9/376
D. 277,552 2/1985 Küng D9/376
D. 280,384 9/1985 Poore D9/370



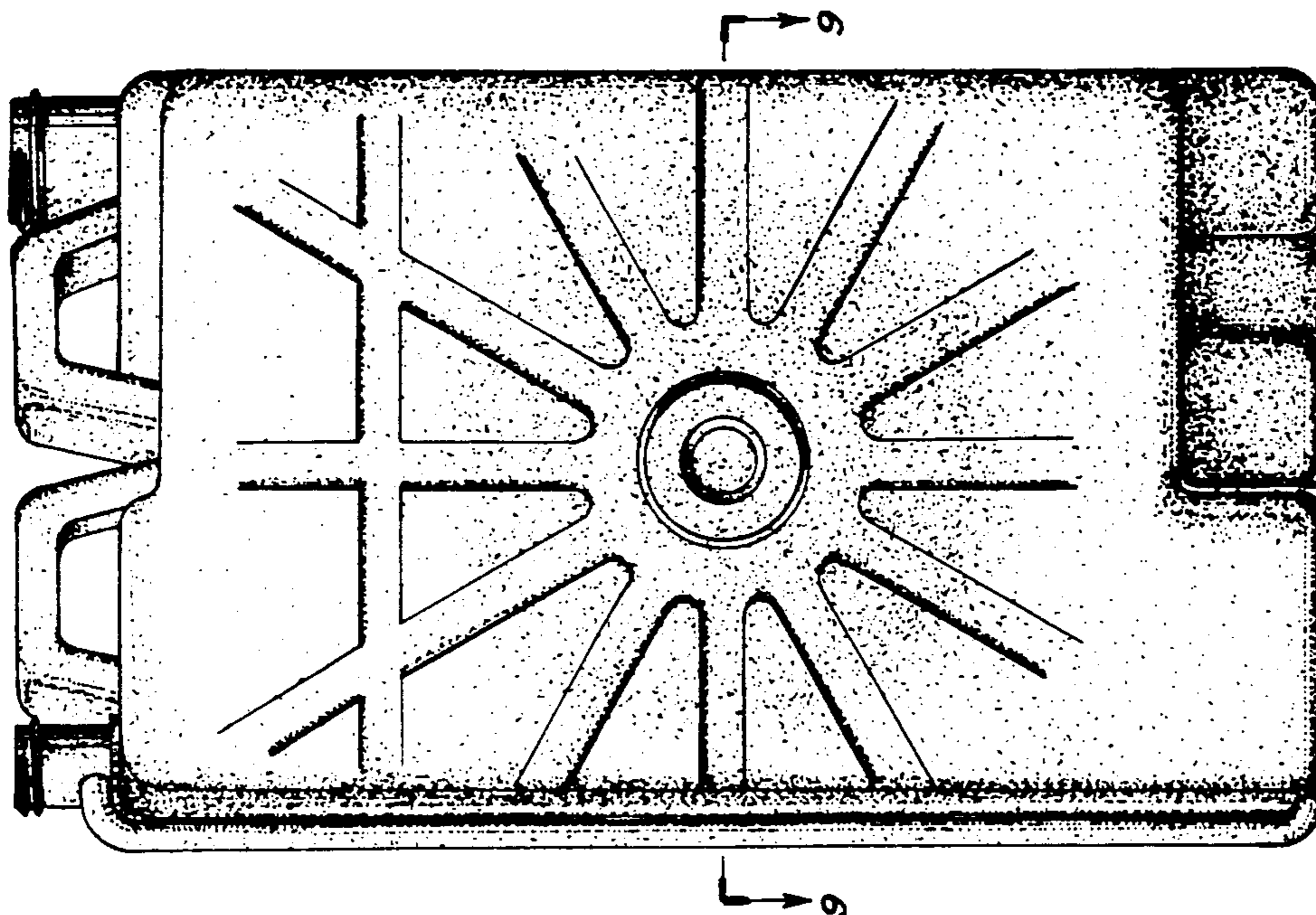


FIG. 1

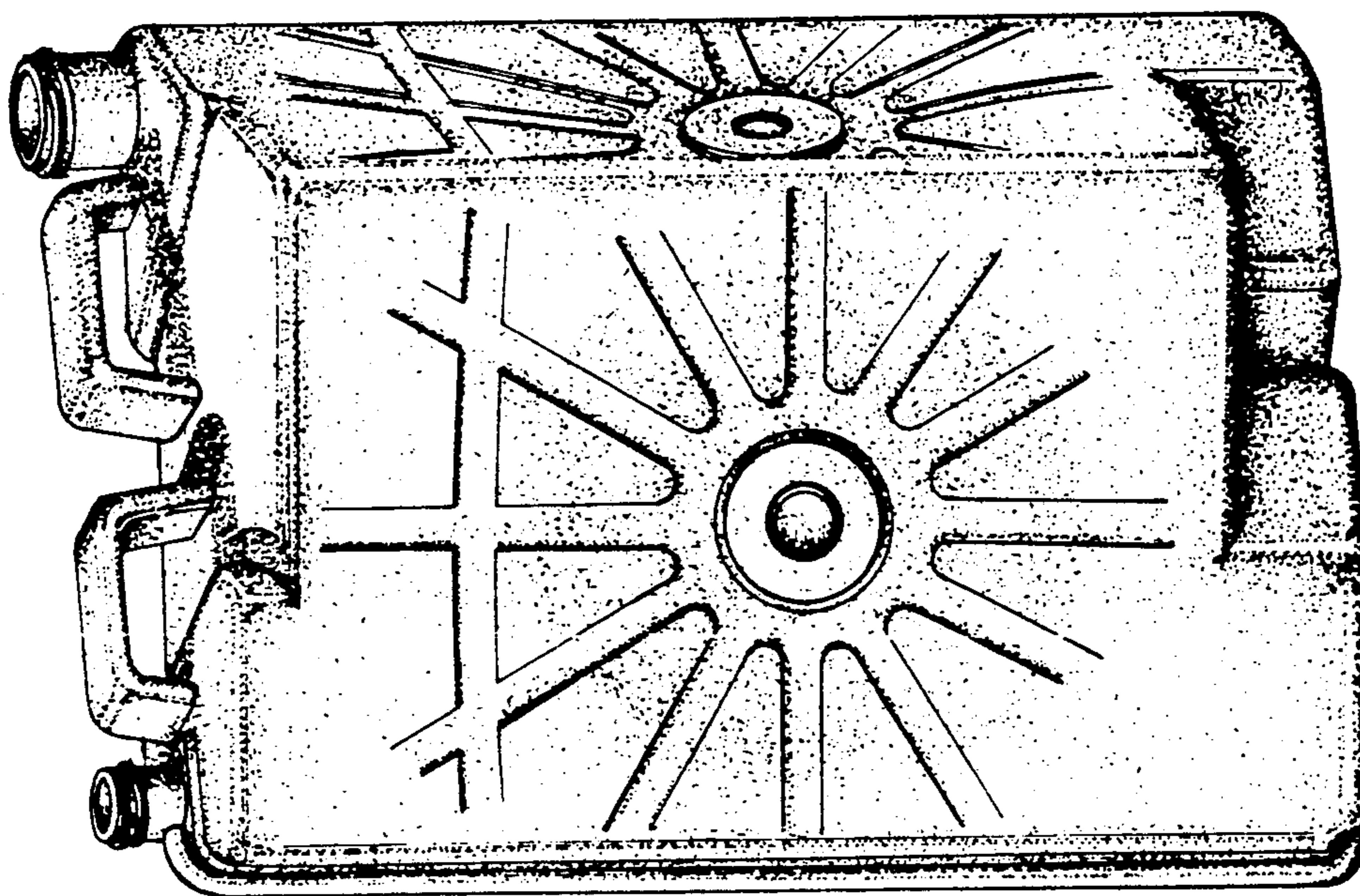


FIG. 2

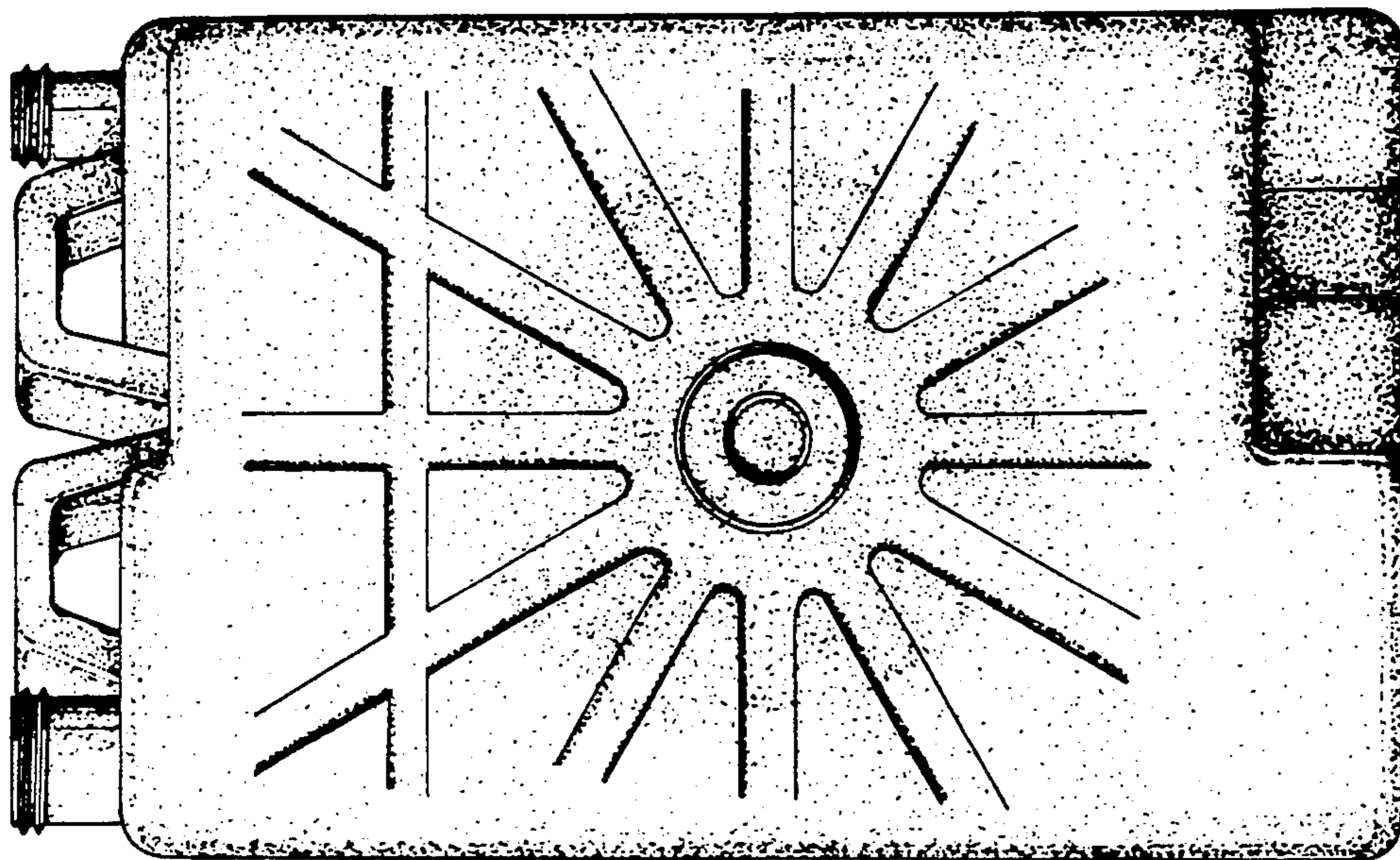


FIG. 4

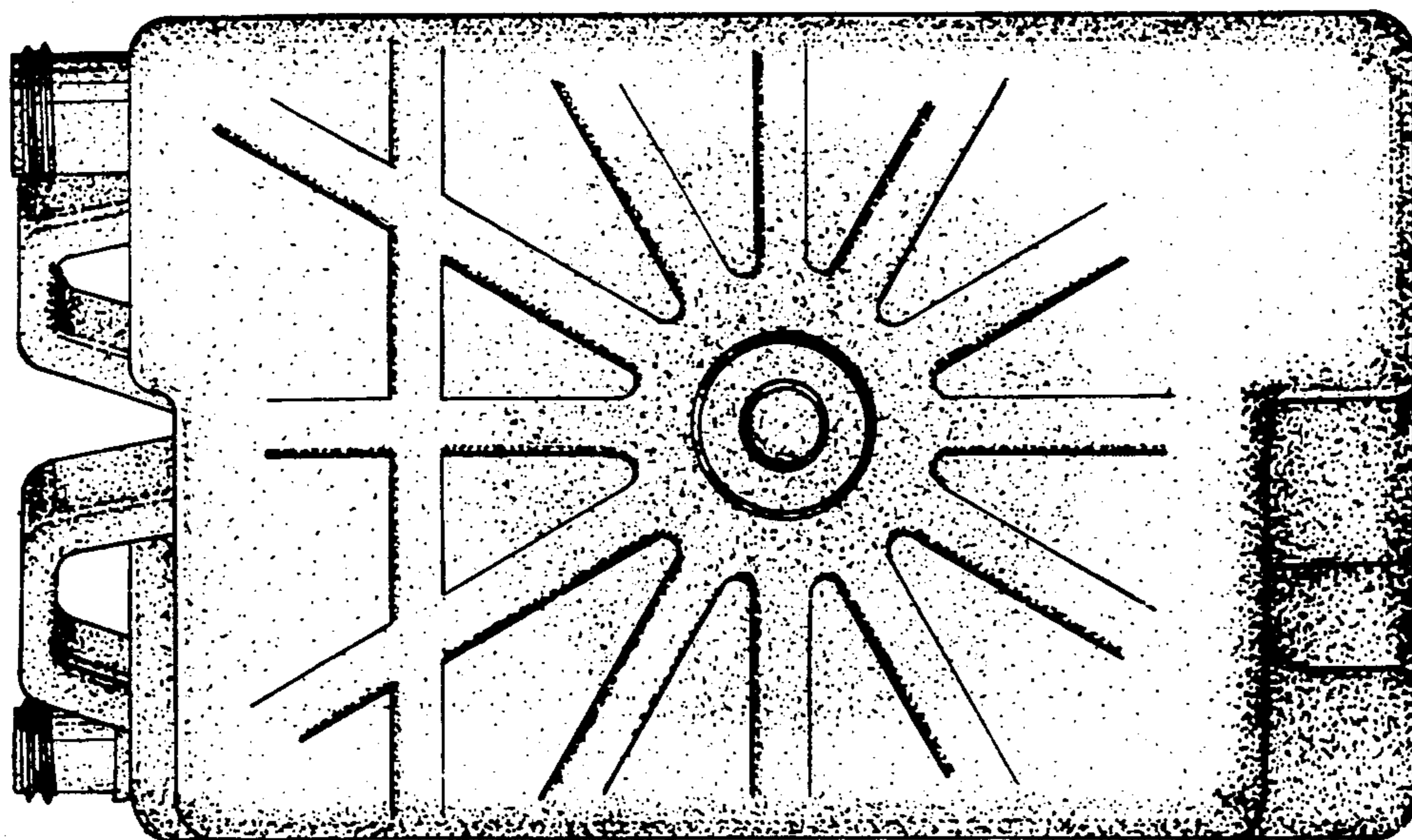


FIG. 3

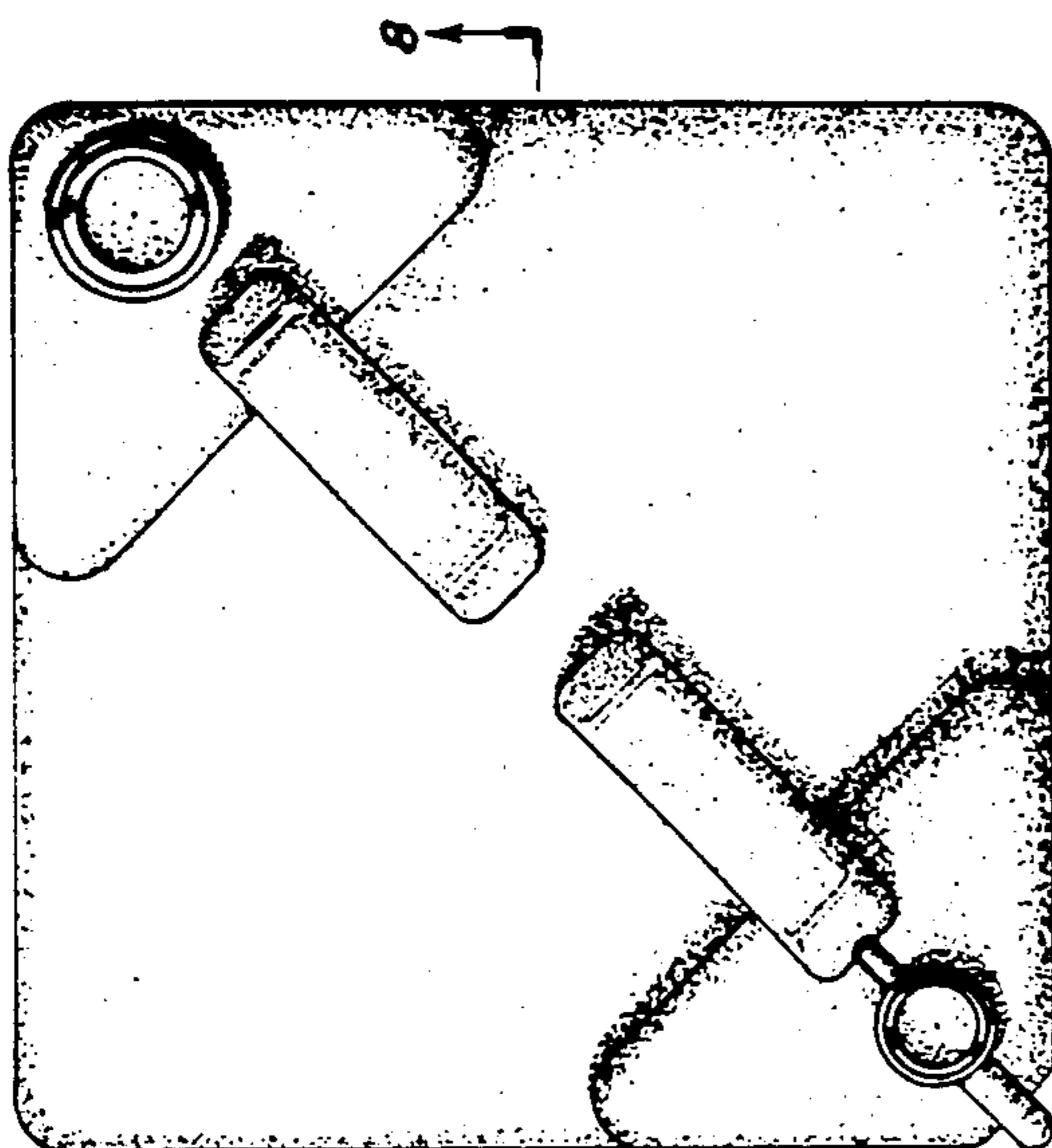


FIG. 6

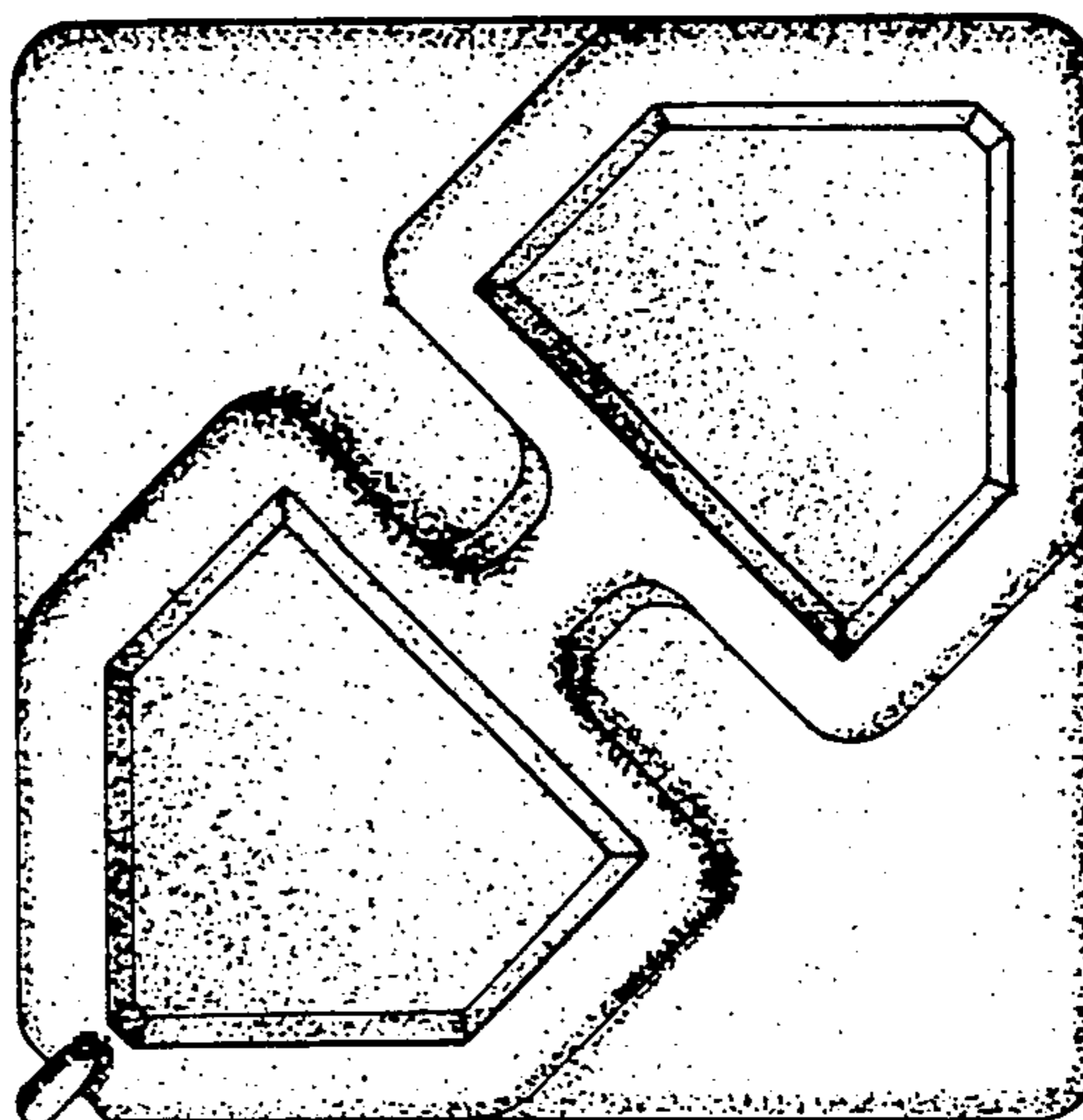


FIG. 7

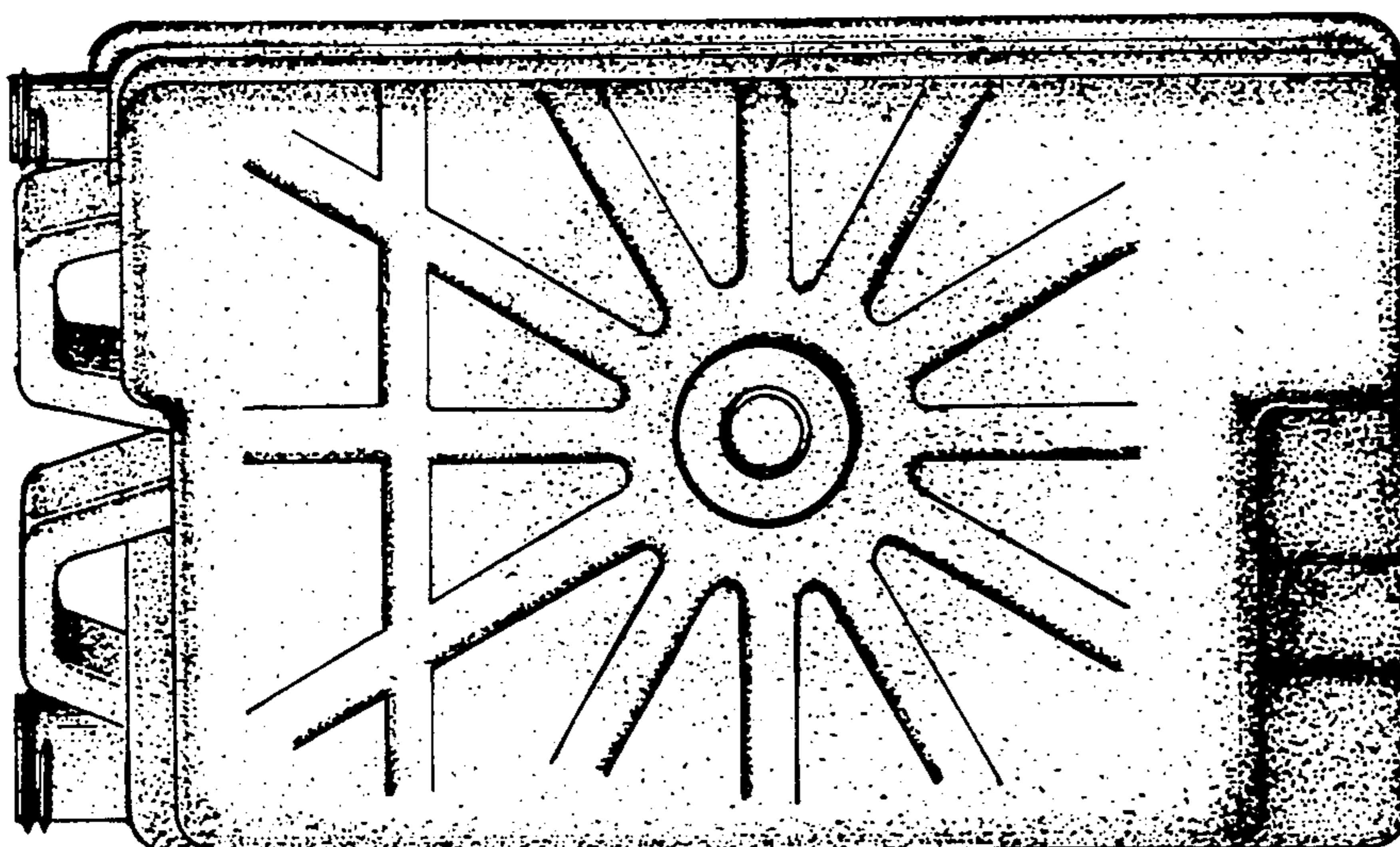


FIG. 5

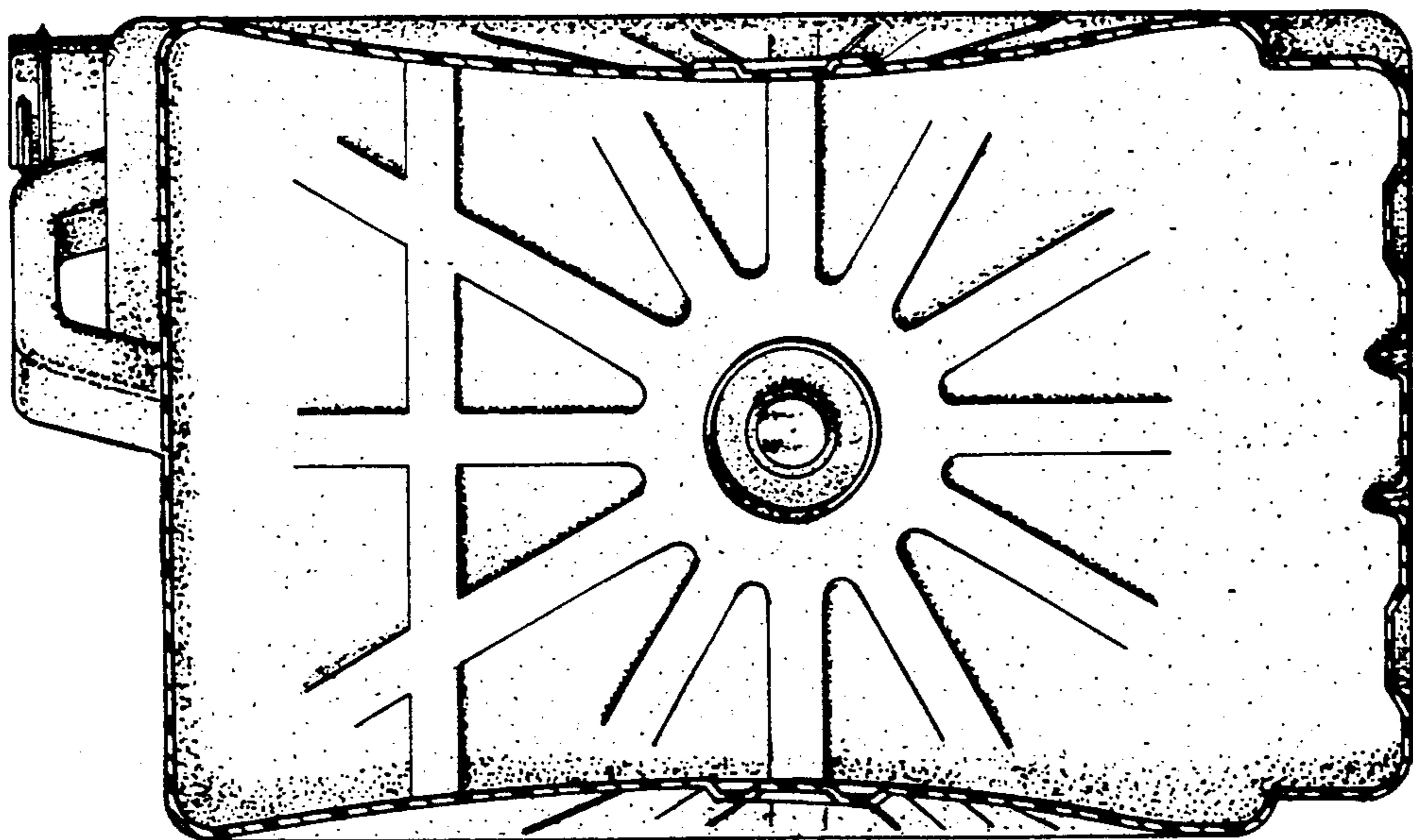


FIG. 8

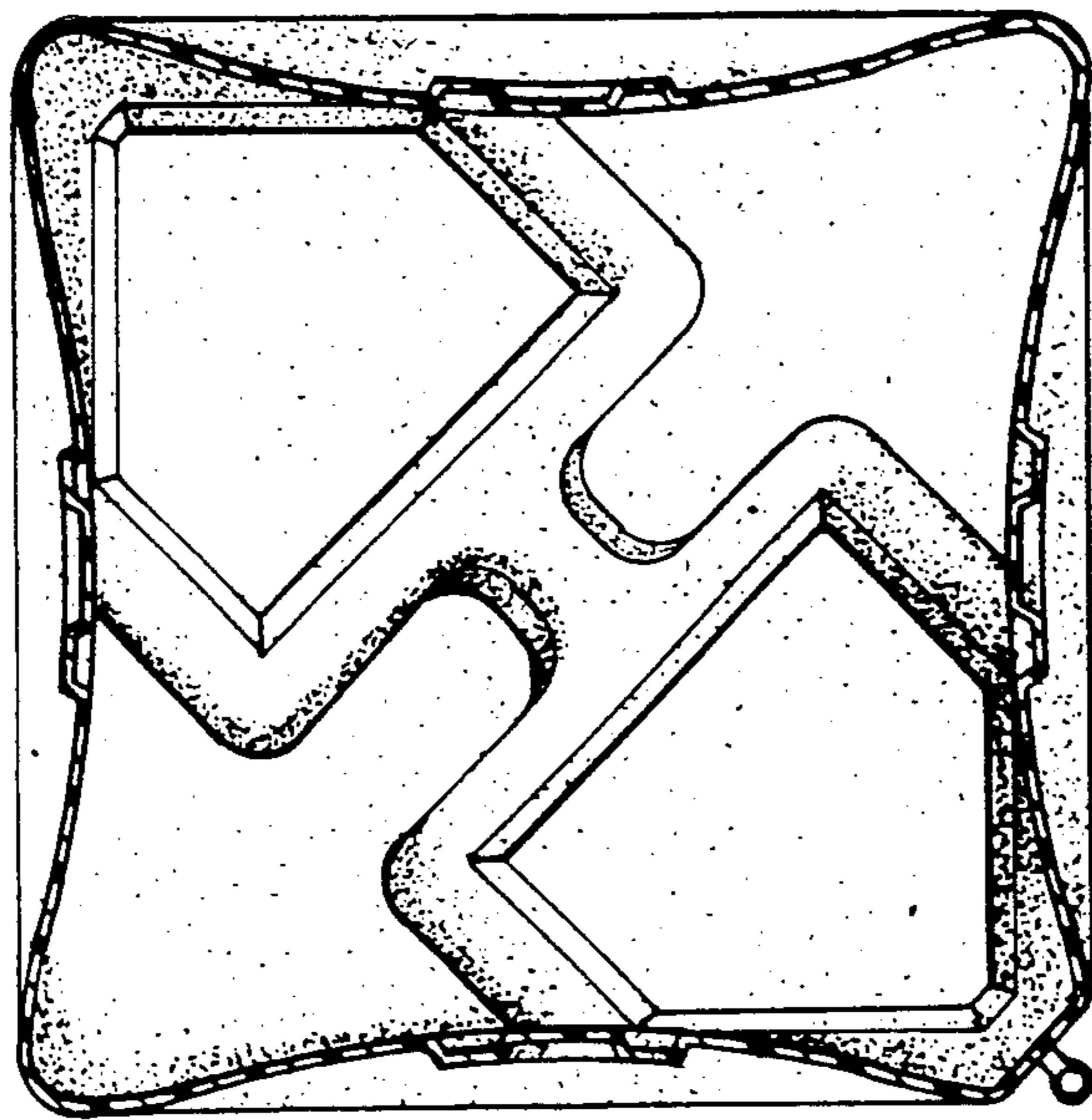


FIG. 9