



US00D329811S

# United States Patent [19]

[11] Patent Number: **Des. 329,811**

**Tether**

[45] Date of Patent: **\*\* Sep. 29, 1992**

[54] **LOOSE PACKING MATERIAL**

[76] Inventor: **Russell W. Tether**, 6258 Woodcrest,  
Dallas, Tex. 75214

[\*\*] Term: **14 Years**

[21] Appl. No.: **653,104**

[22] Filed: **Feb. 11, 1991**

[52] U.S. Cl. .... **D9/456; D9/434**

[58] Field of Search ..... **D9/434, 456; 206/523,**  
**206/524, 584; 410/121, 155, 154**

4,215,166 7/1980 Bussey, Jr. .... 206/584 X

4,272,572 6/1981 Netherly ..... 206/584 X

4,514,453 4/1985 Bussey, Jr. .

4,606,965 8/1986 Bussey ..... 206/584 X

4,621,022 11/1986 Kohaut et al. .

*Primary Examiner*—Bernard Ansher  
*Assistant Examiner*—Dominic Simone  
*Attorney, Agent, or Firm*—Richards, Medlock &  
Andrews

[56] **References Cited**  
**U.S. PATENT DOCUMENTS**

3,074,543 1/1963 Stanley .

3,559,866 2/1971 Olson .

3,894,632 7/1975 Sieffert .

3,951,730 4/1976 Wennberg et al. .

4,120,443 10/1978 Gardner et al. .

4,169,179 9/1979 Bussey, Jr. .

[57] **CLAIM**

The ornamental design for a loose packing material, as shown and described.

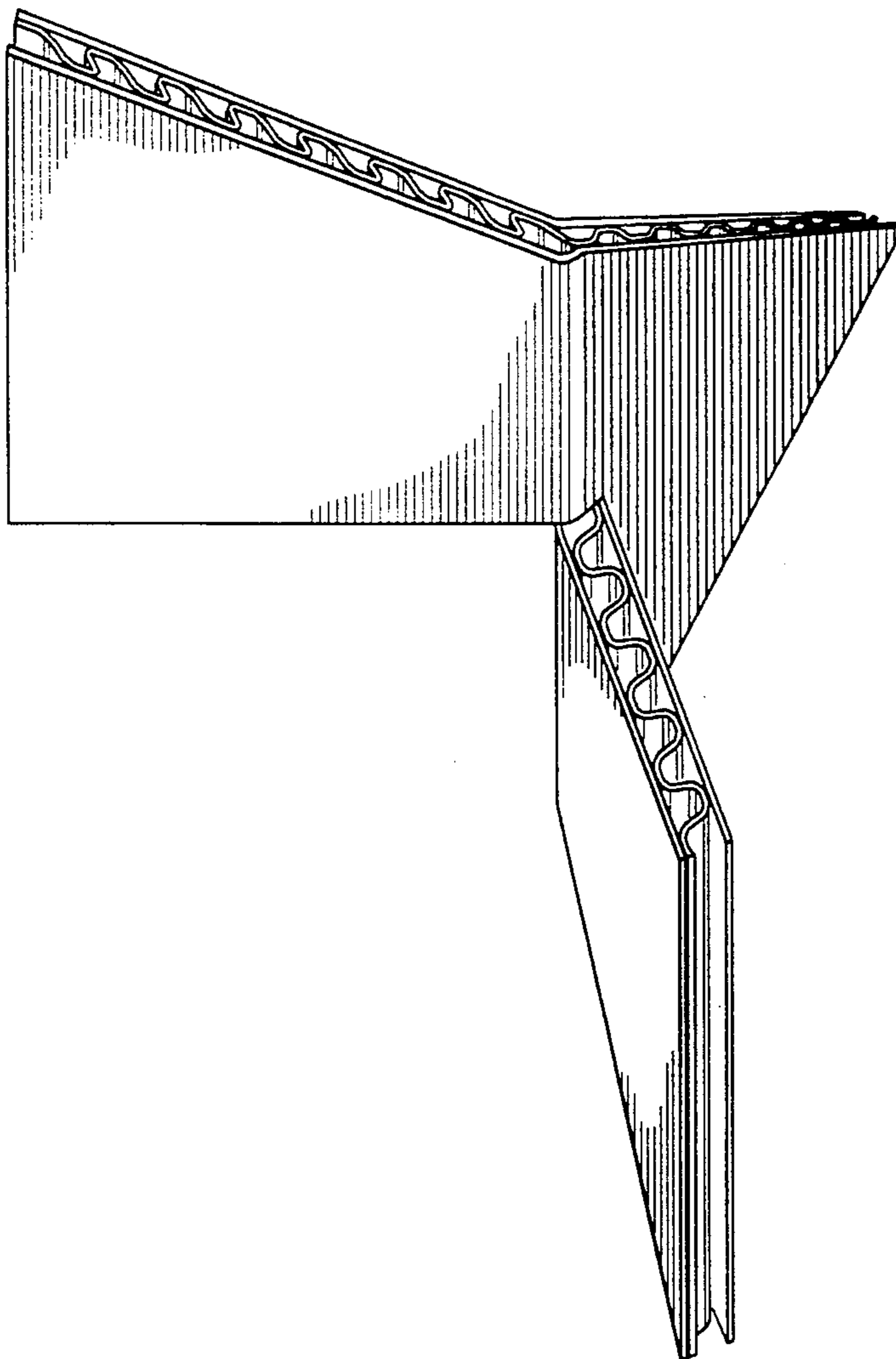
**DESCRIPTION**

FIG. 1 is a front perspective view of a loose packing material showing my new design;

FIG. 2 is a rear perspective view thereof;

FIG. 3 is a reduced top plan view thereof; and,

FIG. 4 is a reduced bottom plan thereof.



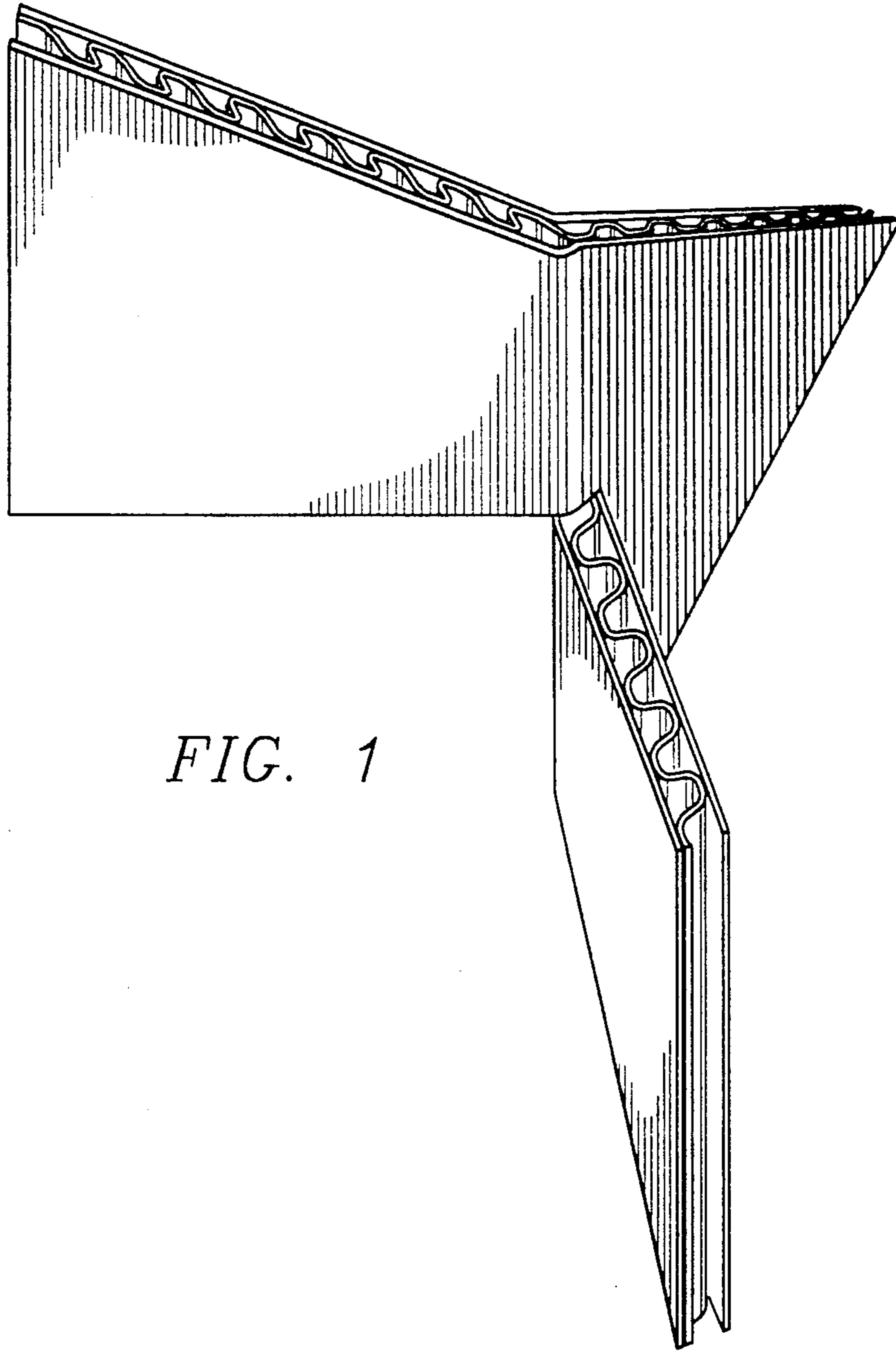


FIG. 1

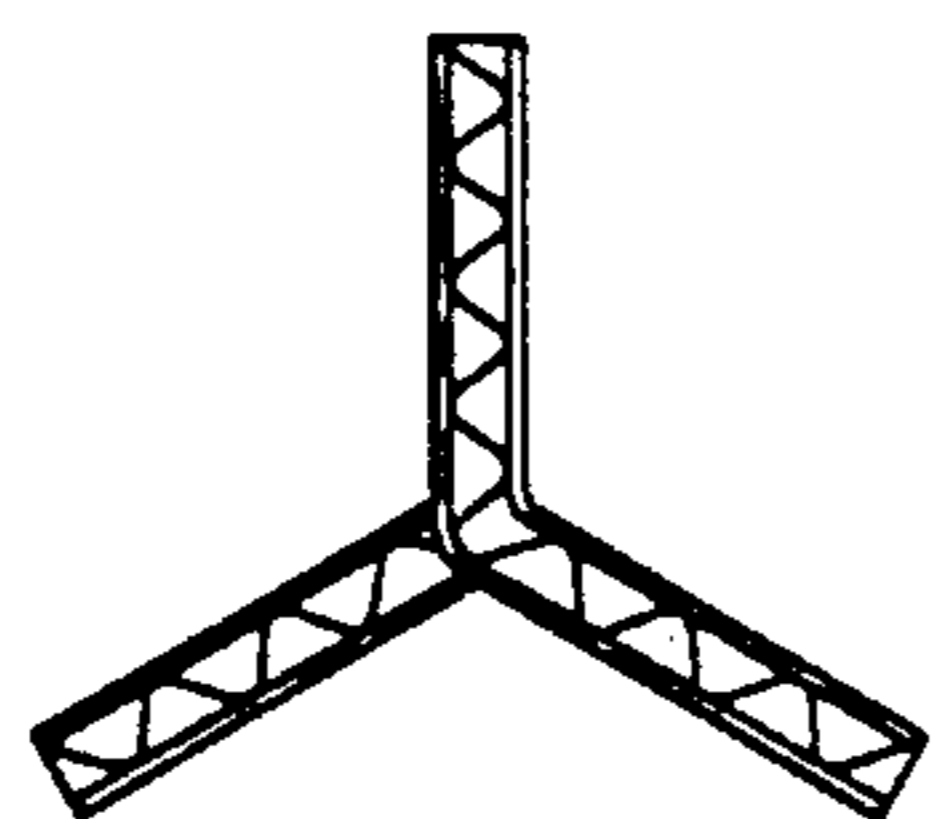


FIG. 3

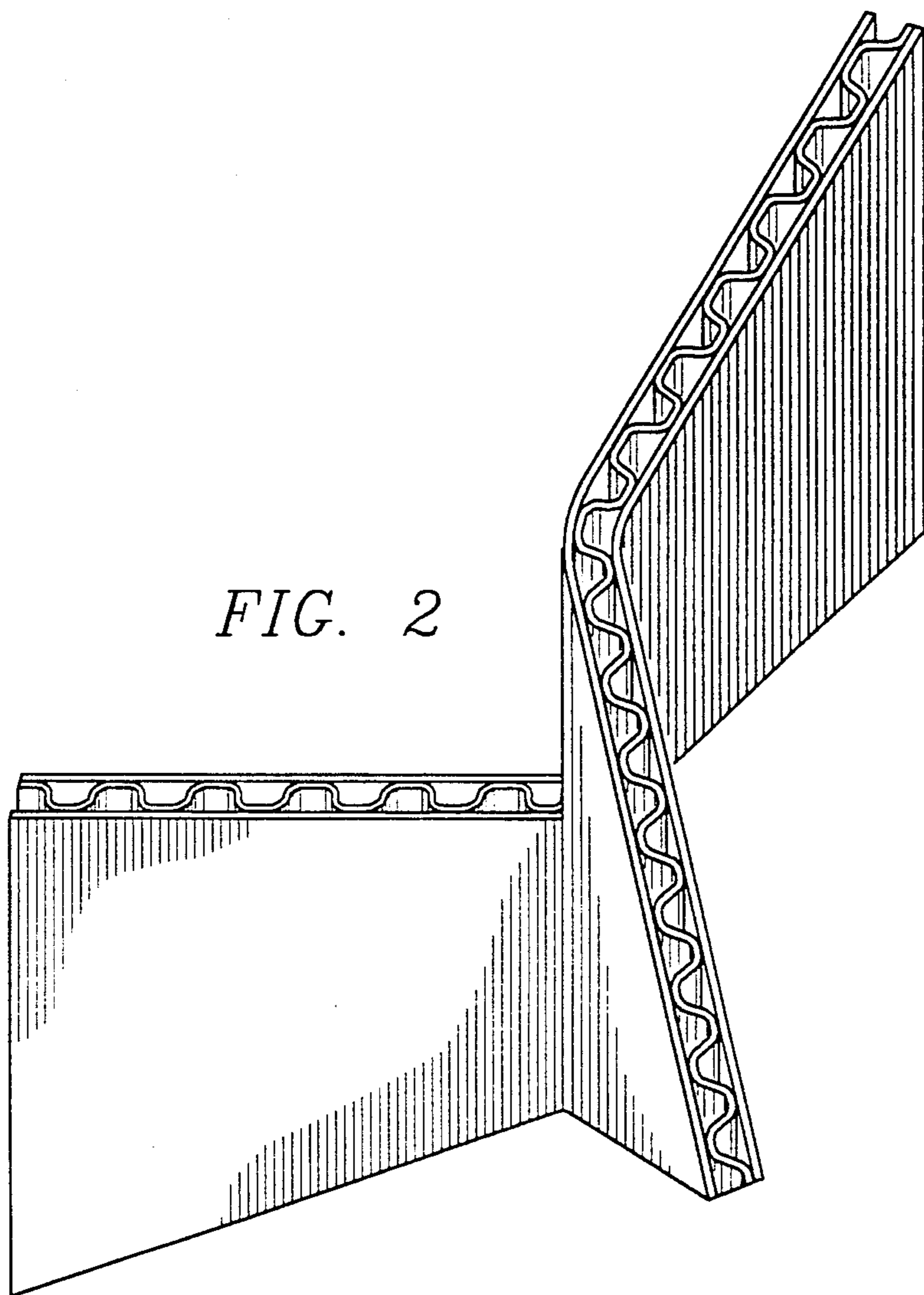


FIG. 2

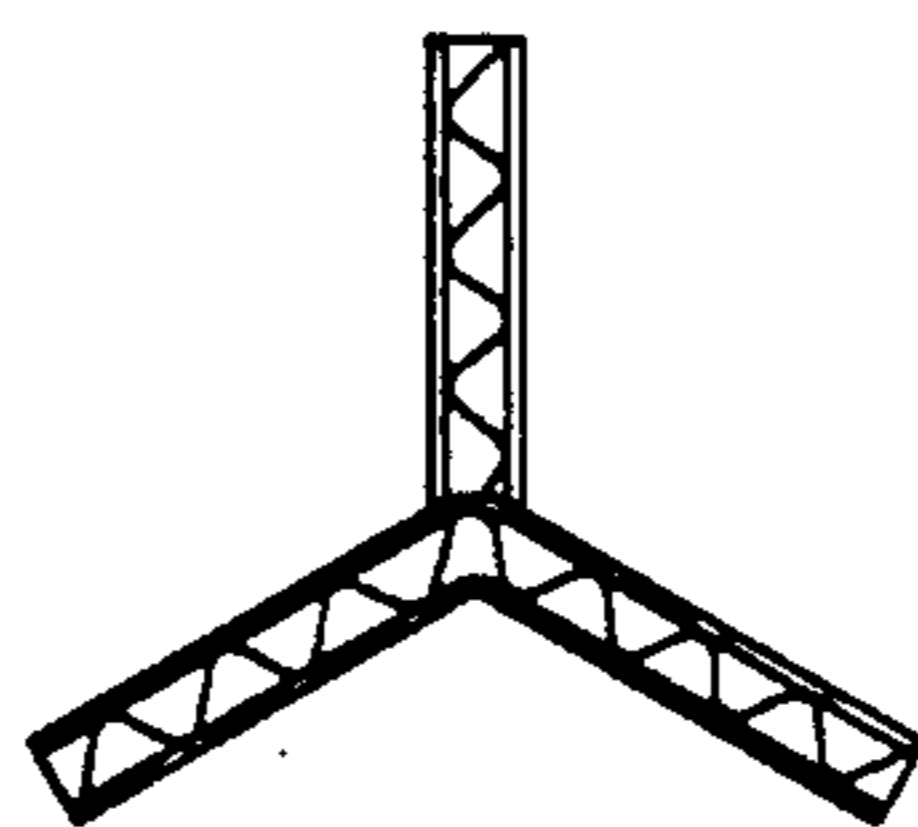


FIG. 4