



US00D329807S

# United States Patent [19]

Heider

[11] Patent Number: **Des. 329,807**

[45] Date of Patent: **\*\* Sep. 29, 1992**

[54] CONTAINER CARRIER

[76] Inventor: **James E. Heider**, 811 W. Wooster,  
Bowling Green, Ohio 43402

[\*\*] Term: **14 Years**

[21] Appl. No.: **473,697**

[22] Filed: **Mar. 16, 1990**

[52] U.S. Cl. .... **D9/344**

[58] Field of Search ..... D9/344, 378, 434, 341,  
D9/418; 206/145-161, 139, 427

4,453,630 6/1984 Helms et al. .... 206/148 X  
 4,457,426 7/1984 Humphries ..... 206/148 X  
 4,471,870 9/1984 Uhlig ..... 206/150  
 4,487,312 12/1984 Heider ..... 206/158  
 4,709,808 12/1987 Balduff et al. .... 206/427 X  
 4,712,680 12/1987 Panazzolo ..... D9/344 X

*Primary Examiner*—Bernard Ansher  
*Assistant Examiner*—Prabhakar Deshmukh  
*Attorney, Agent, or Firm*—Brooks & Kushman

### [57] CLAIM

The ornamental design for a container carrier, as shown and described.

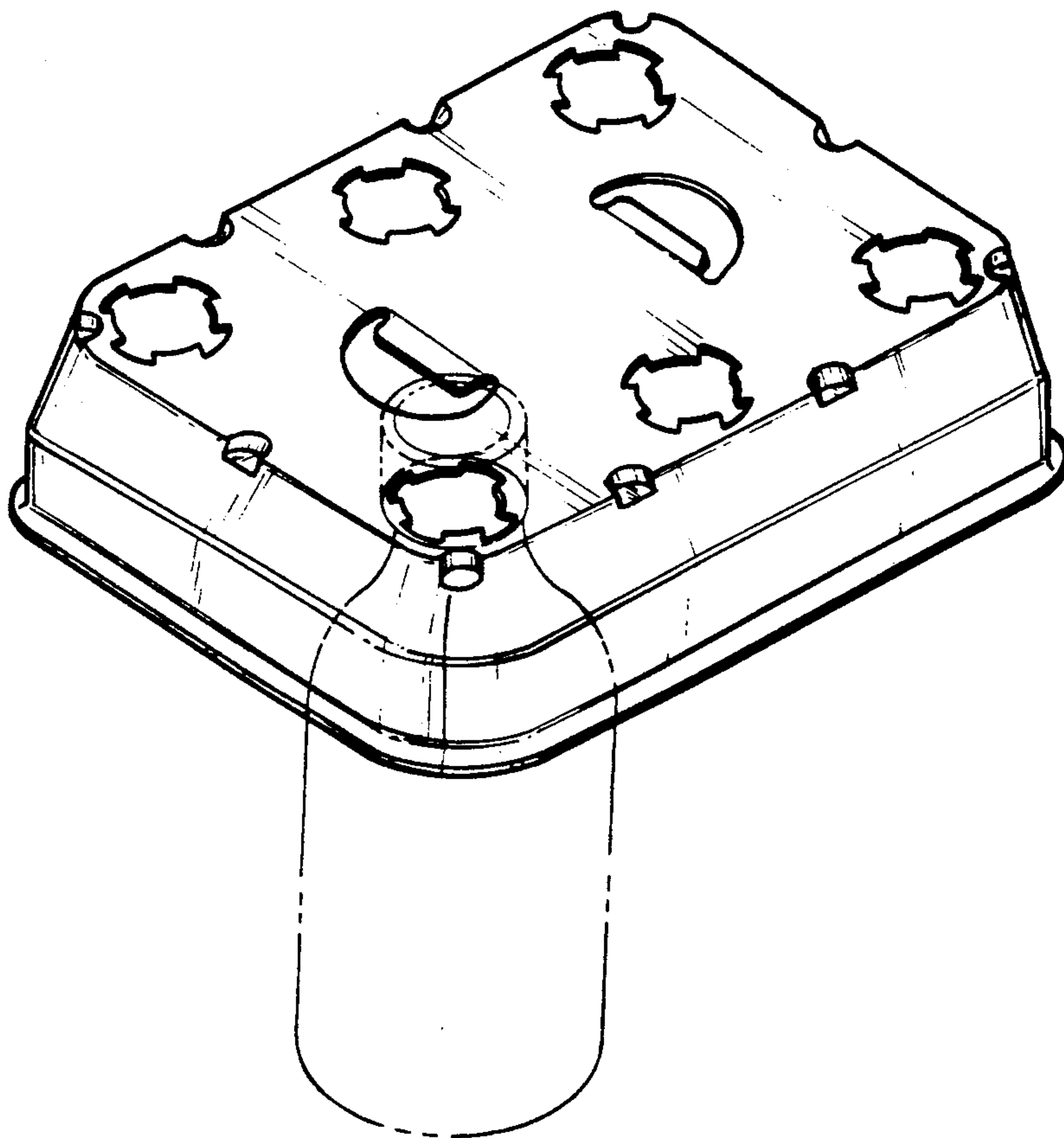
[56] **References Cited**

**U.S. PATENT DOCUMENTS**

D. 282,908	3/1986	Panazzolo	.....	D9/344
D. 283,676	5/1986	Kockling	.....	D9/344
D. 294,331	2/1988	Panazzolo	.....	D9/344
3,331,500	7/1967	Poupitch	.....	206/65
3,587,846	6/1971	Heier	.....	206/65
3,653,504	4/1972	Saumsiegle	.....	206/65 E
3,752,305	8/1973	Heyne	.....	206/65 E
3,837,563	9/1974	Brackette, Jr.	.....	229/52 B
3,867,807	2/1975	Doucette	.....	53/48
3,912,075	10/1975	Berry	.....	206/158
4,139,094	2/1979	Berry et al.	.....	206/158

### DESCRIPTION

FIG. 1 is a perspective view of a container carrier showing my new design;  
 FIG. 2 is a left side elevation thereof; the right side elevation being a mirror image thereof;  
 FIG. 3 is a front elevation thereof; the right side elevation being a mirror image thereof; and,  
 FIG. 4 is a top plan view thereof; the bottom plan view being a mirror image thereof.  
 The broken lines showing a container in FIG. 1 is for illustrative purposes only and forms no part of the claim.



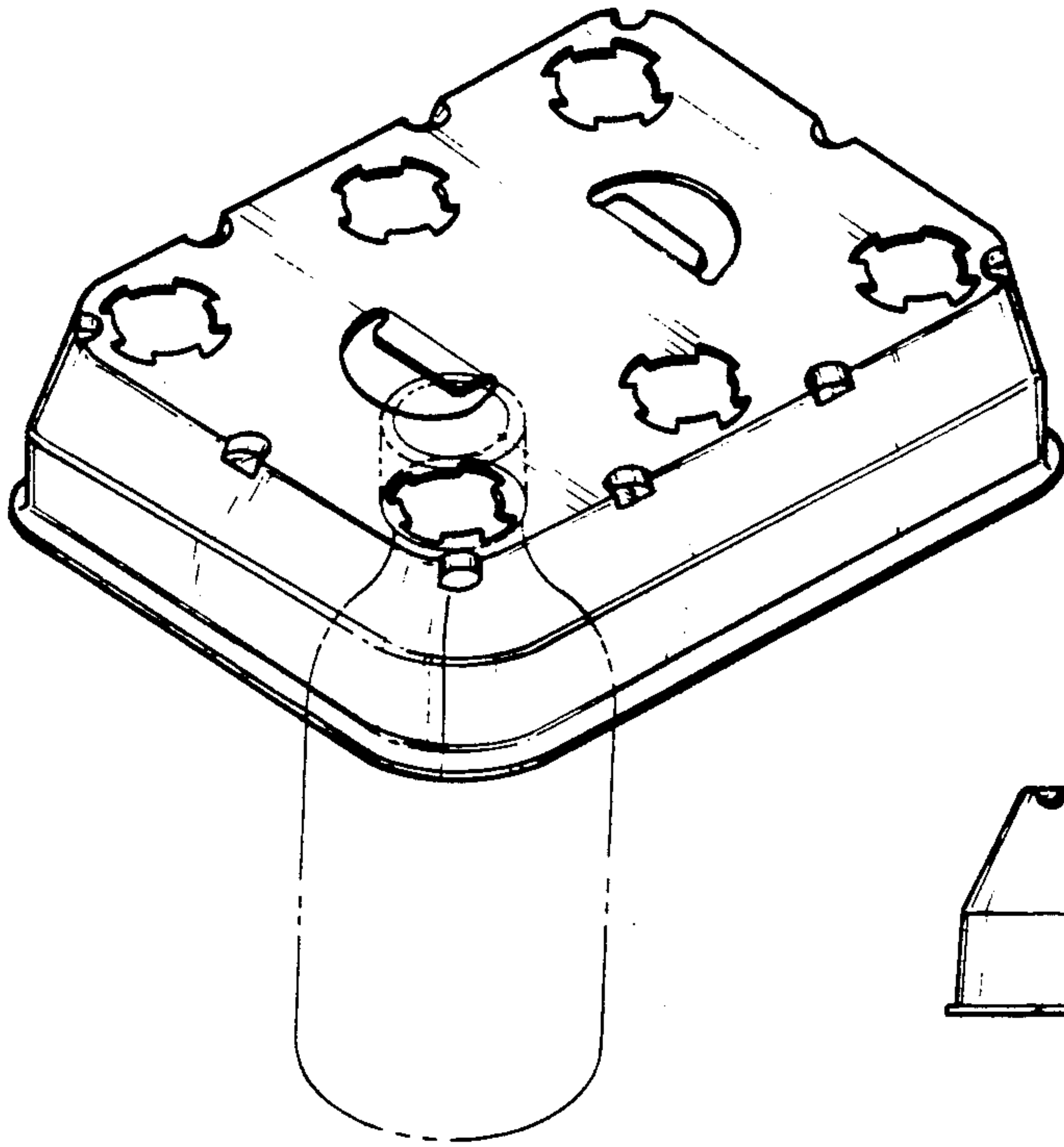


Fig-1

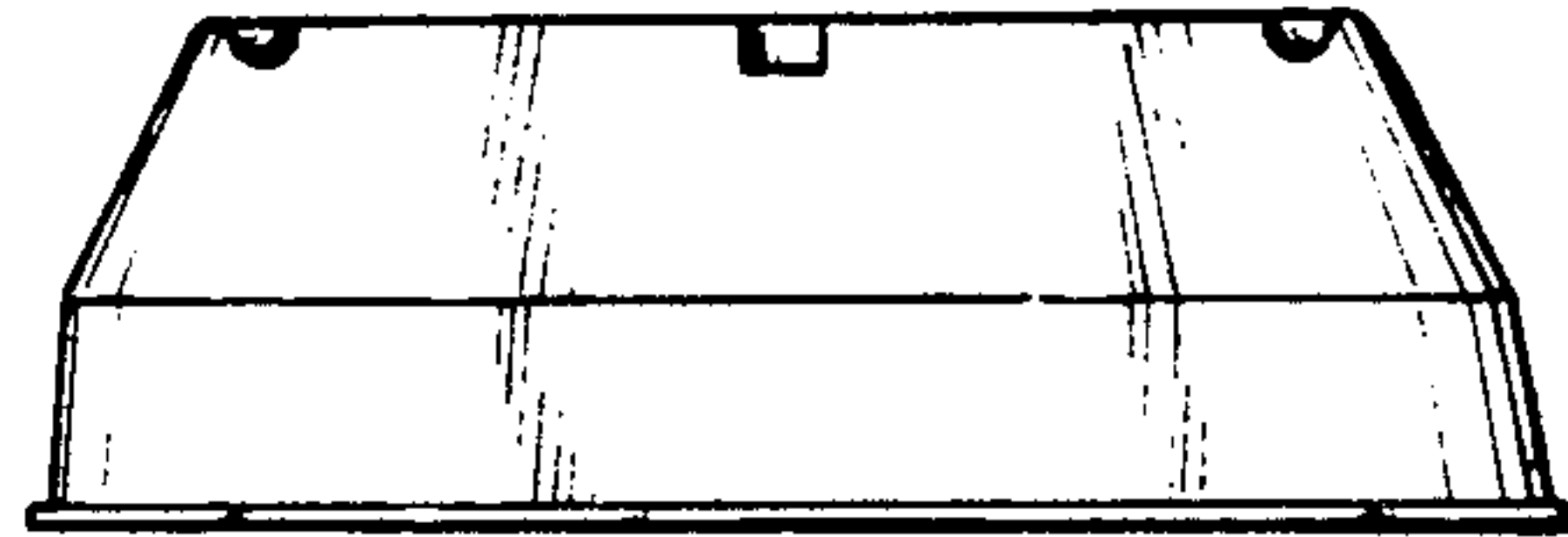


Fig-2

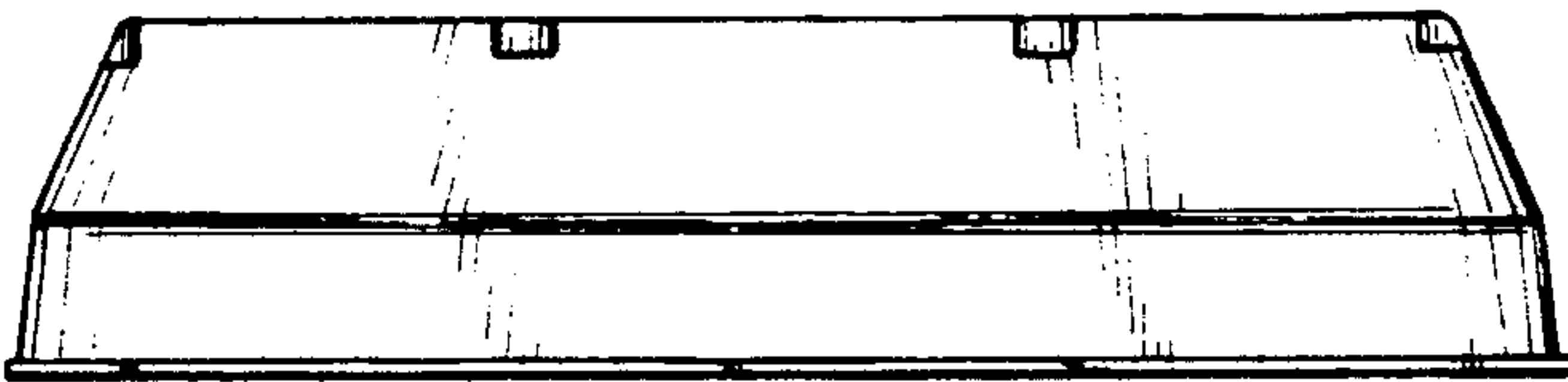


Fig-3

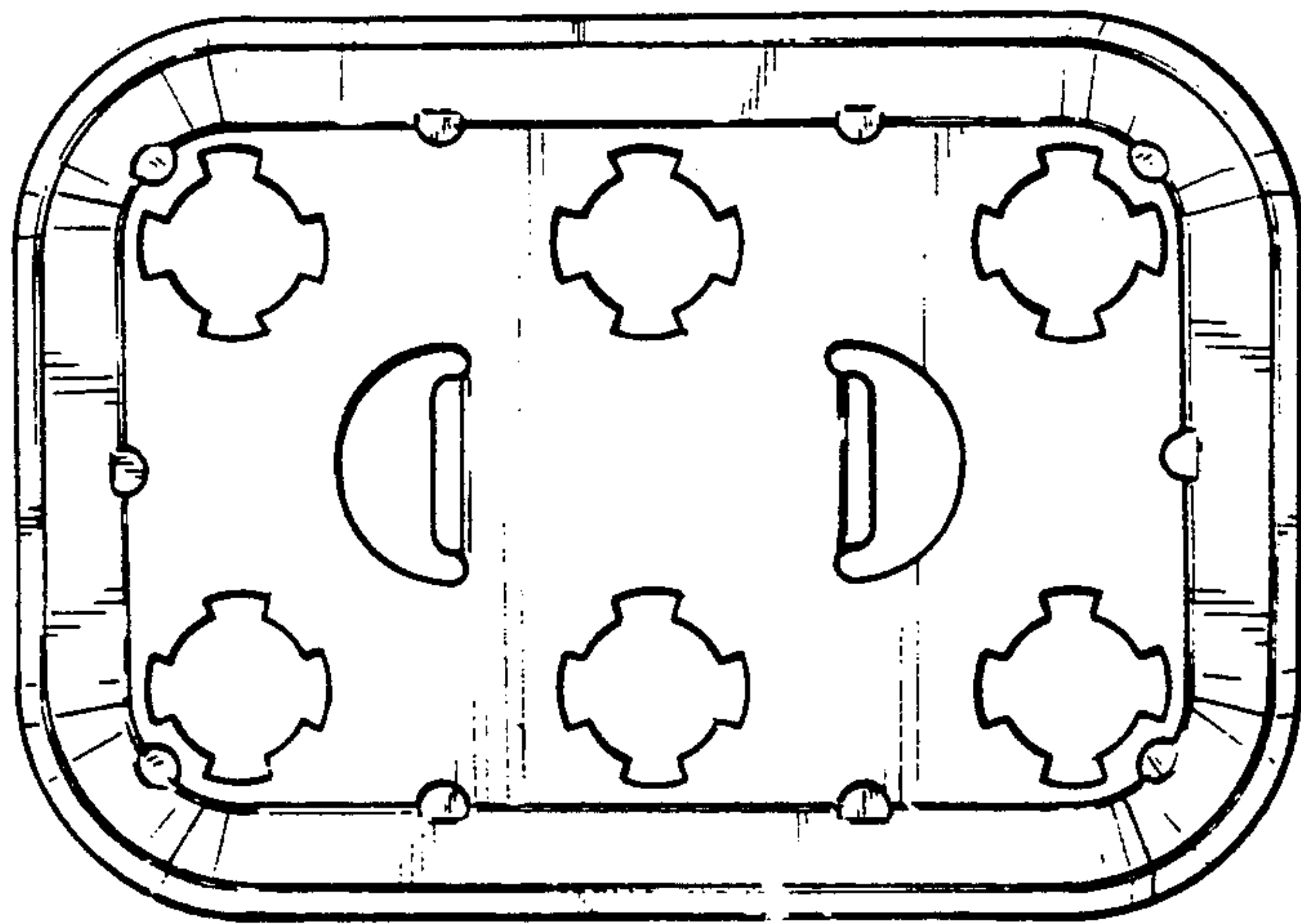


Fig-4