



US00D329800S

United States Patent [19]

[11] Patent Number: **Des. 329,800**

Pearson

[45] Date of Patent: **** Sep. 29, 1992**

[54] **COMBINATION SECURITY BAR AND PADLOCK COVER**

[76] Inventor: **Stanley W. Pearson, Rte. 1 Box 654-A, Beaufort, N.C. 28516**

[**] Term: **14 Years**

[21] Appl. No.: **646,334**

[22] Filed: **Jan. 28, 1991**

[52] U.S. Cl. **D8/346; D8/336**

[58] Field of Search **D8/330-331, D8/336, 343-346, 340; 70/2-4, 77, 101, 158, DIG. 43; 292/281, 285, 297**

[56] **References Cited**

U.S. PATENT DOCUMENTS

- D. 275,550 9/1984 Johnson et al. D8/331
- D. 315,666 3/1991 Pearson D8/336
- 2,698,196 12/1954 Mangus D8/343 X

- 3,806,179 4/1974 Roessle 292/285 X
- 4,105,231 8/1978 Hutssen D8/340 X
- 4,269,048 5/1981 McDorman 70/2 X
- 4,629,230 12/1986 Tegg 292/281
- 4,741,564 5/1988 HiFord 292/285

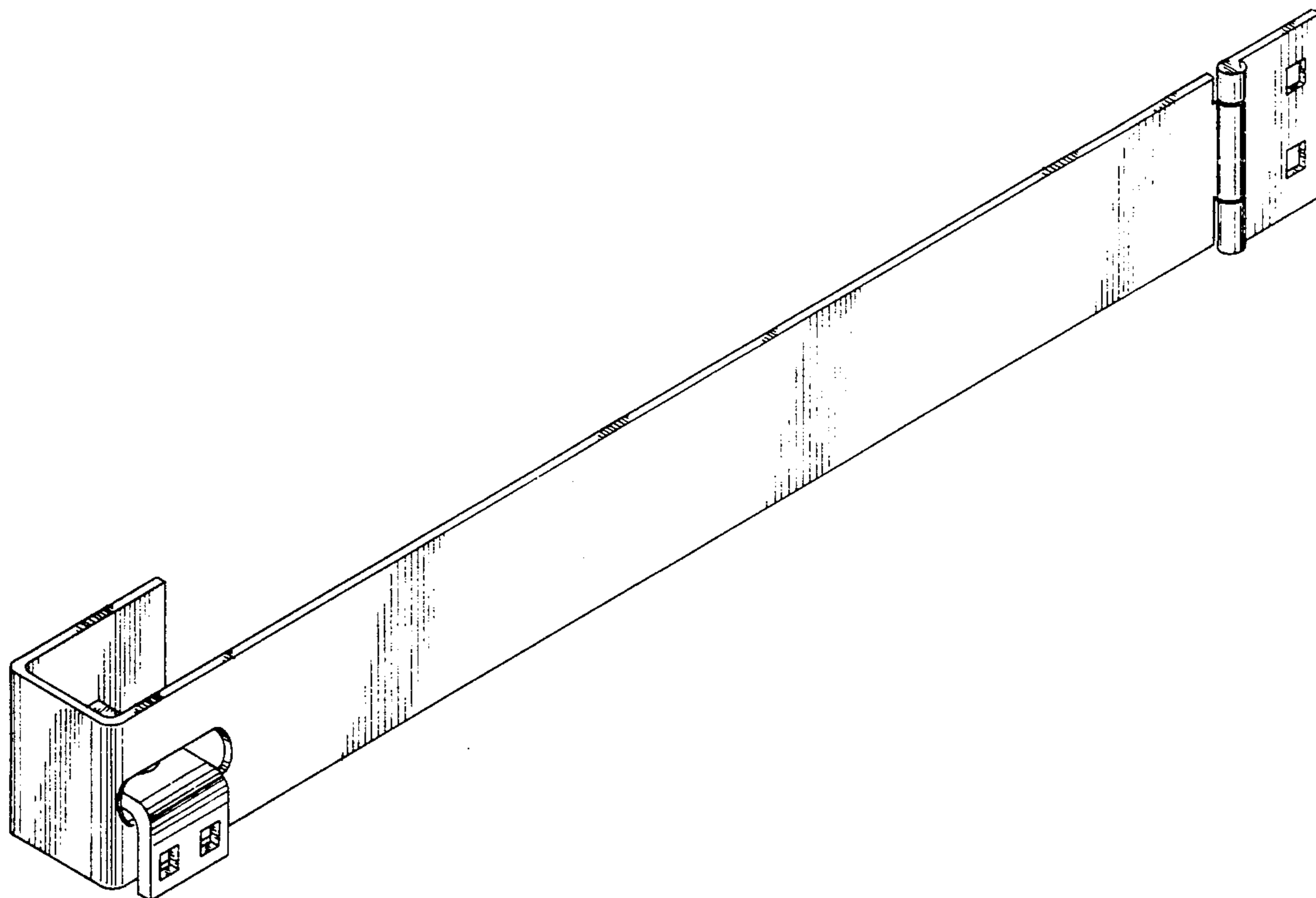
Primary Examiner—Brian N. Vinson

[57] **CLAIM**

The ornamental design for a combination security bar and padlock cover, as shown and described.

DESCRIPTION

FIG. 1 is a perspective view of combination security bar and padlock cover, showing my new design;
 FIG. 2 is a front elevational view thereof;
 FIG. 3 is a rear elevational view thereof;
 FIG. 4 is a bottom plan view thereof;
 FIG. 5 is a top plan view thereof;
 FIG. 6 is a right side elevational view thereof; and,
 FIG. 7 is a left side elevational view thereof.



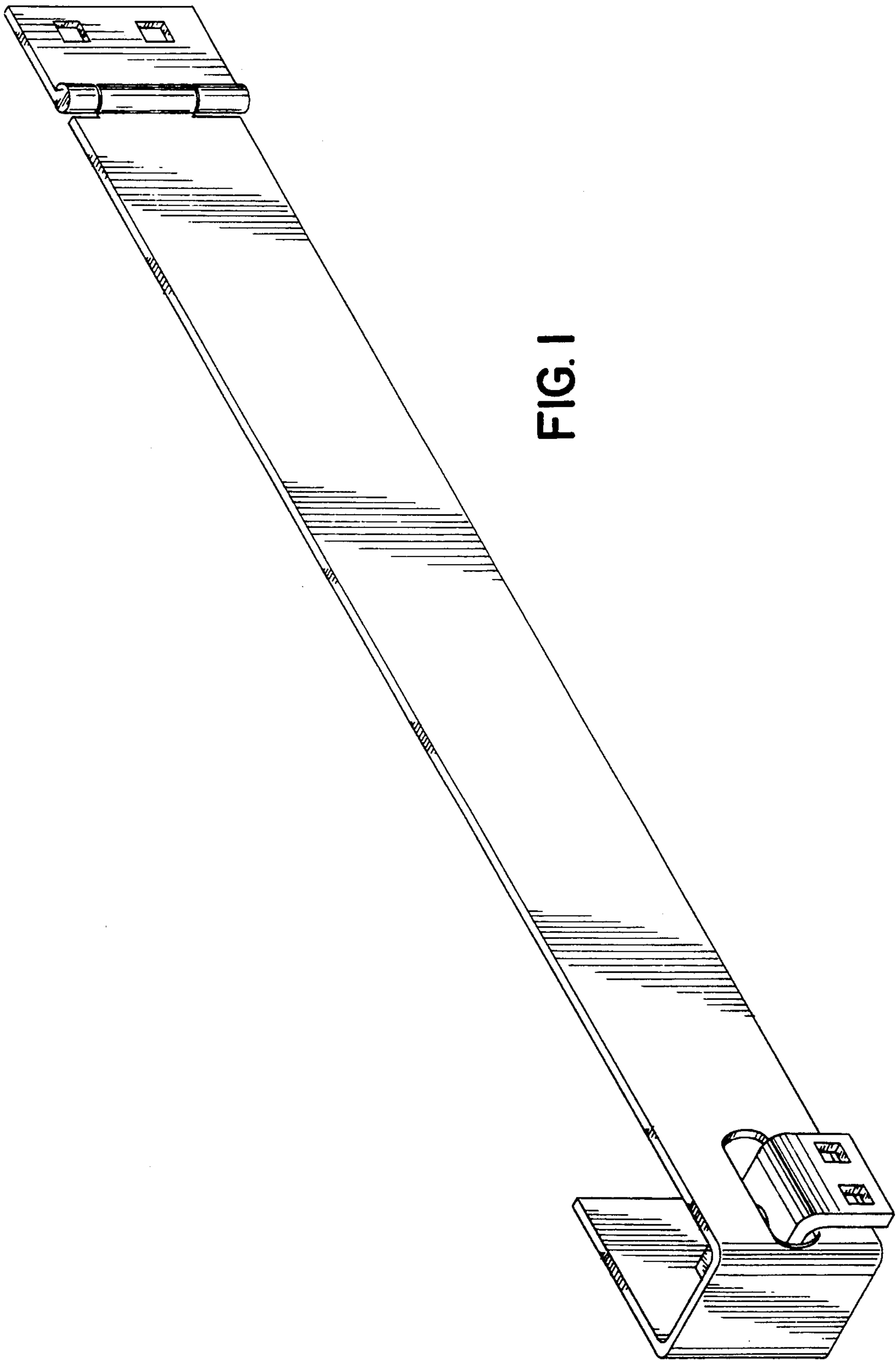


FIG. 2

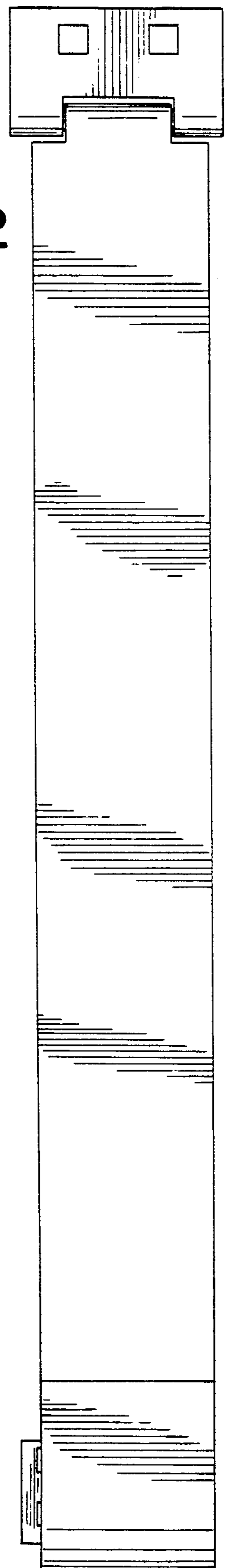
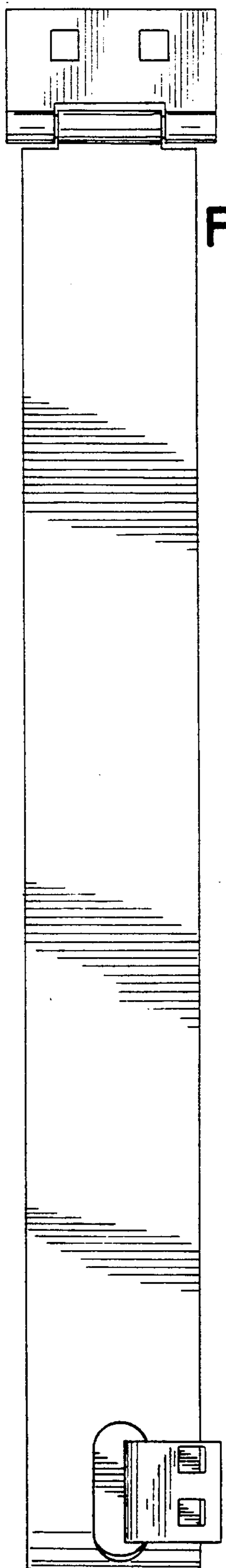


FIG. 3



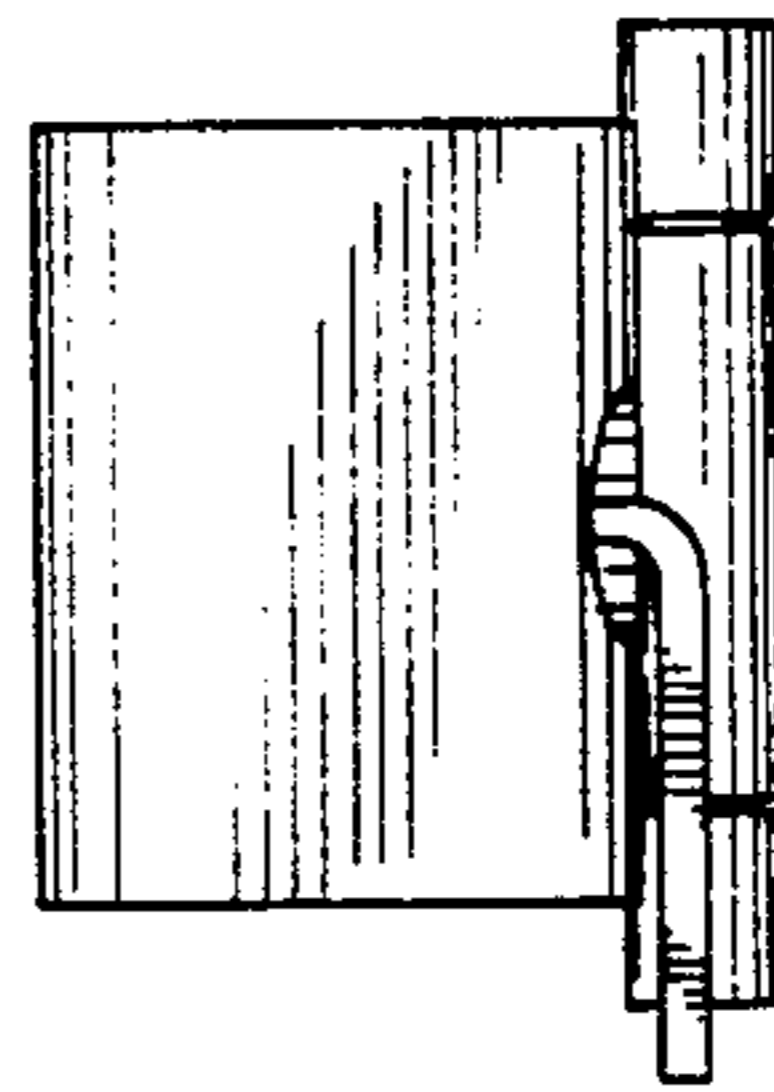
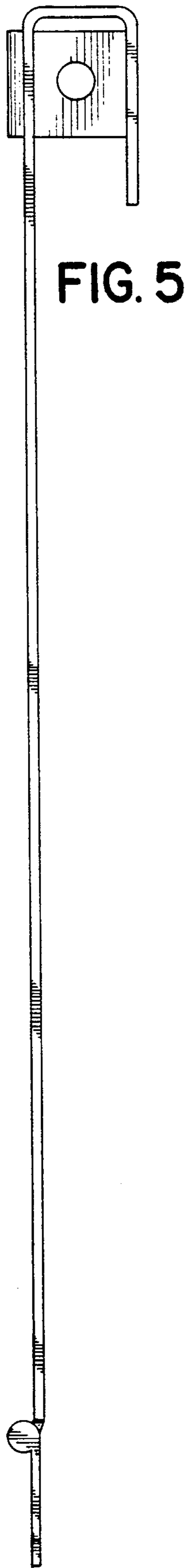
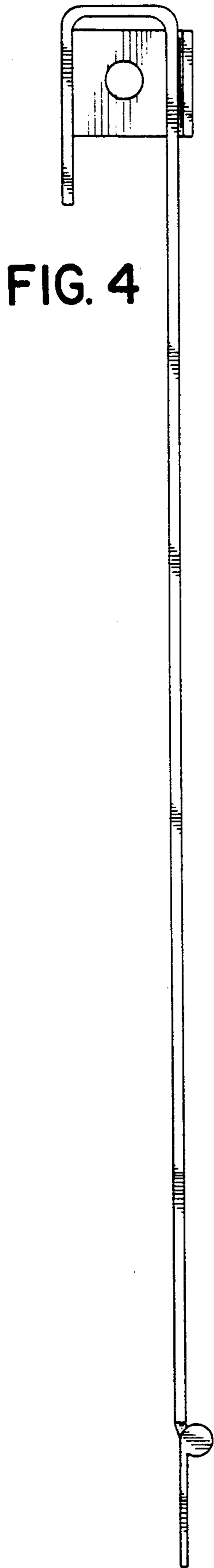


FIG. 6

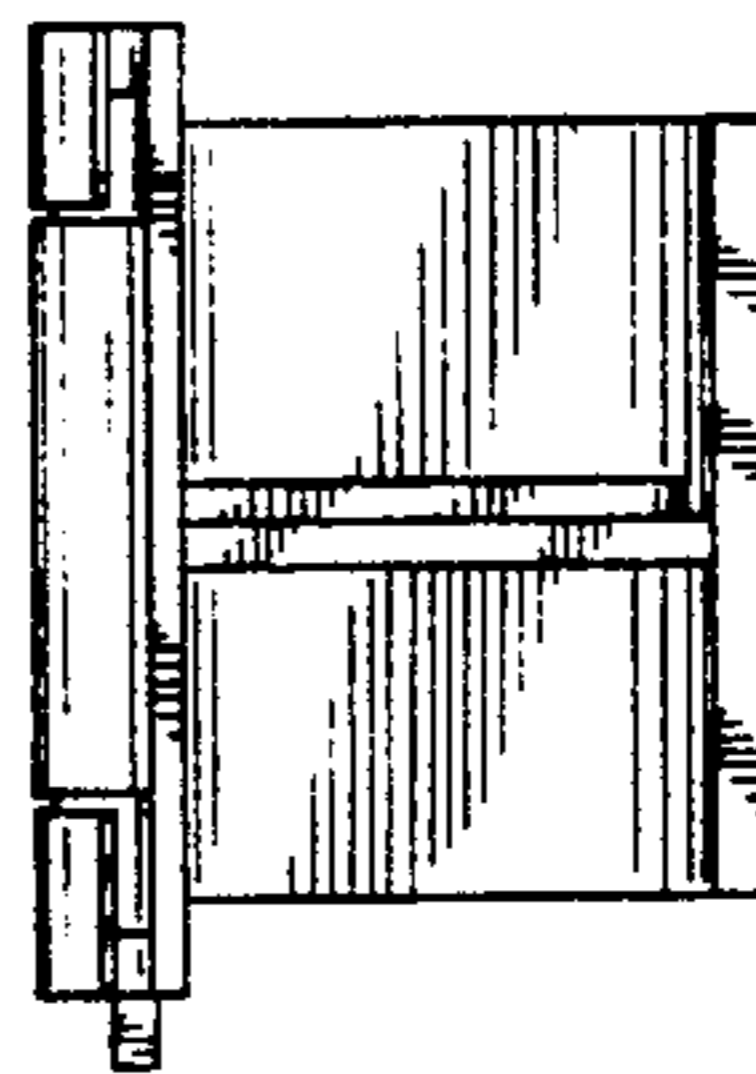


FIG. 7