



US00D329799S

United States Patent [19]

Conklin

[11] Patent Number: Des. 329,799

[45] Date of Patent: ** Sep. 29, 1992

[54] PORTABLE SWINGING DOOR LOCK

4,228,842 10/1980 Clark 160/234

[76] Inventor: Eva C. Conklin, 4666 Garrett Dr., Norton, Ohio 44203

Primary Examiner—Brian N. Vinson
Attorney, Agent, or Firm—Michael Sand Co.

[**] Term: 14 Years

[57] CLAIM

[21] Appl. No.: 588,958

The ornamental design for a portable swinging door lock, as shown and described.

[22] Filed: Sep. 26, 1990

[52] U.S. Cl. D8/331

[58] Field of Search D8/330-331,
D8/342, 343, 380, 402; 292/DIG. 19, 145, 288,
289, 290, 300; 160/233

DESCRIPTION

[56] References Cited

U.S. PATENT DOCUMENTS

1,848,085	3/1932	Eisenschmidt	D8/384 X
2,485,189	10/1949	Churchill	292/80
2,532,586	12/1950	Wickwire	292/288
2,536,941	1/1951	Jones	292/288
2,918,318	12/1959	Sacharski	292/87
3,437,365	4/1969	Zadanoff et al.	292/297 X
3,620,483	11/1971	Weinberger	292/262
3,623,268	11/1971	Zepf	49/394
3,785,685	1/1974	MacDonald et al.	292/288
3,997,204	12/1976	Krempp	292/288
3,997,205	12/1976	MacDonald	292/288
4,019,764	4/1977	Okamura	292/288

FIG. 1 is a top, front, and left side perspective view of a portable swinging door lock showing my new design, the broken-line disclosure of a portion of a swinging door and adjacent frame being for illustrative purposes only and forming no part of the claimed design;

FIG. 2 is a greatly enlarged top, front and left side perspective view thereof;

FIG. 3 is an enlarged front elevational view thereof, the rear being identical in appearance;

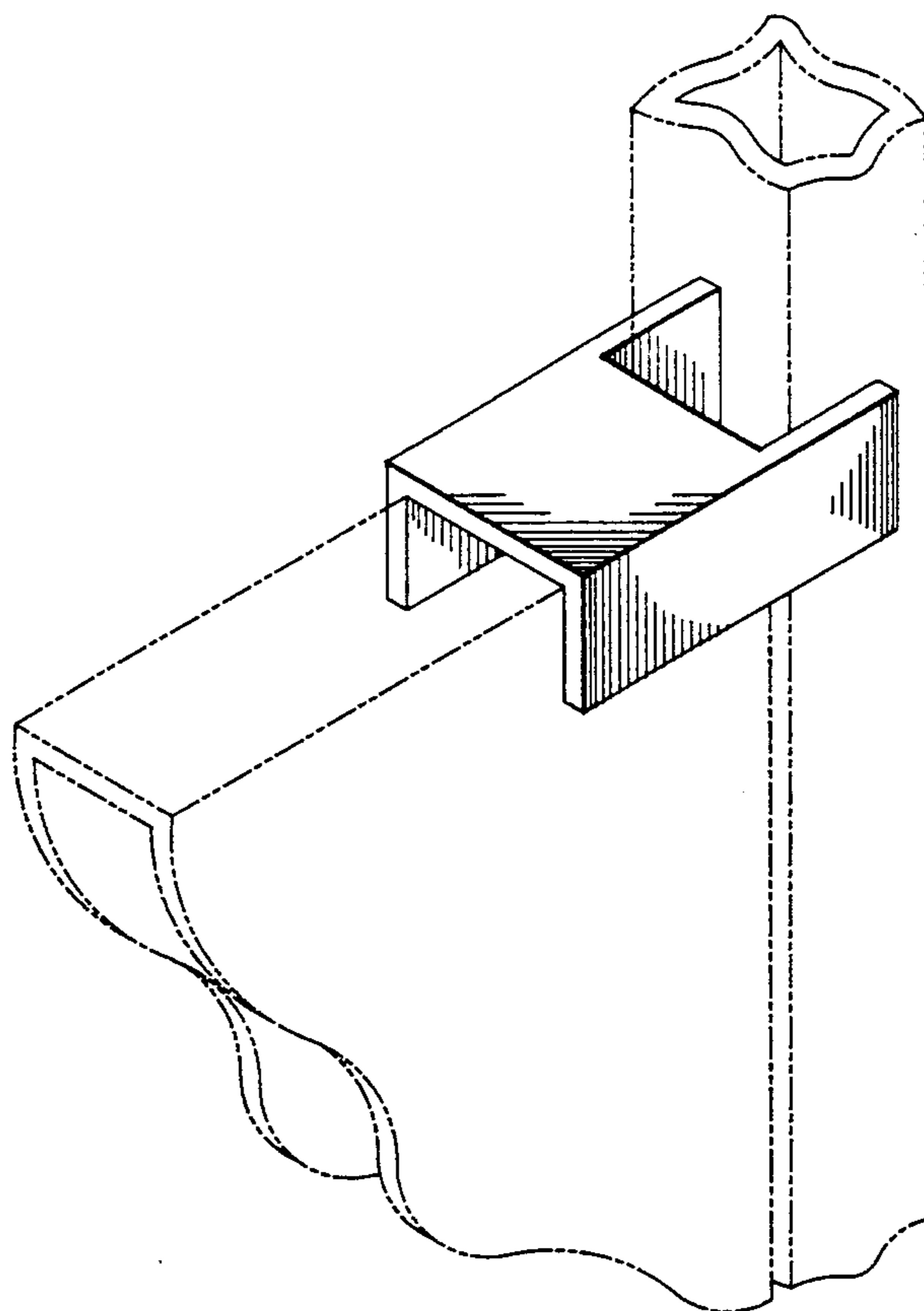
FIG. 4 is an enlarged top plan view thereof;

FIG. 5 is an enlarged bottom plan view thereof;

FIG. 6 is an enlarged left side elevational view thereof;

FIG. 7 is an enlarged right side elevational view thereof; and,

FIG. 8 is a greatly enlarged top, front, and left side perspective view of an alternate embodiment thereof, the only difference residing in the presence of the hook element on the front face of the lock.



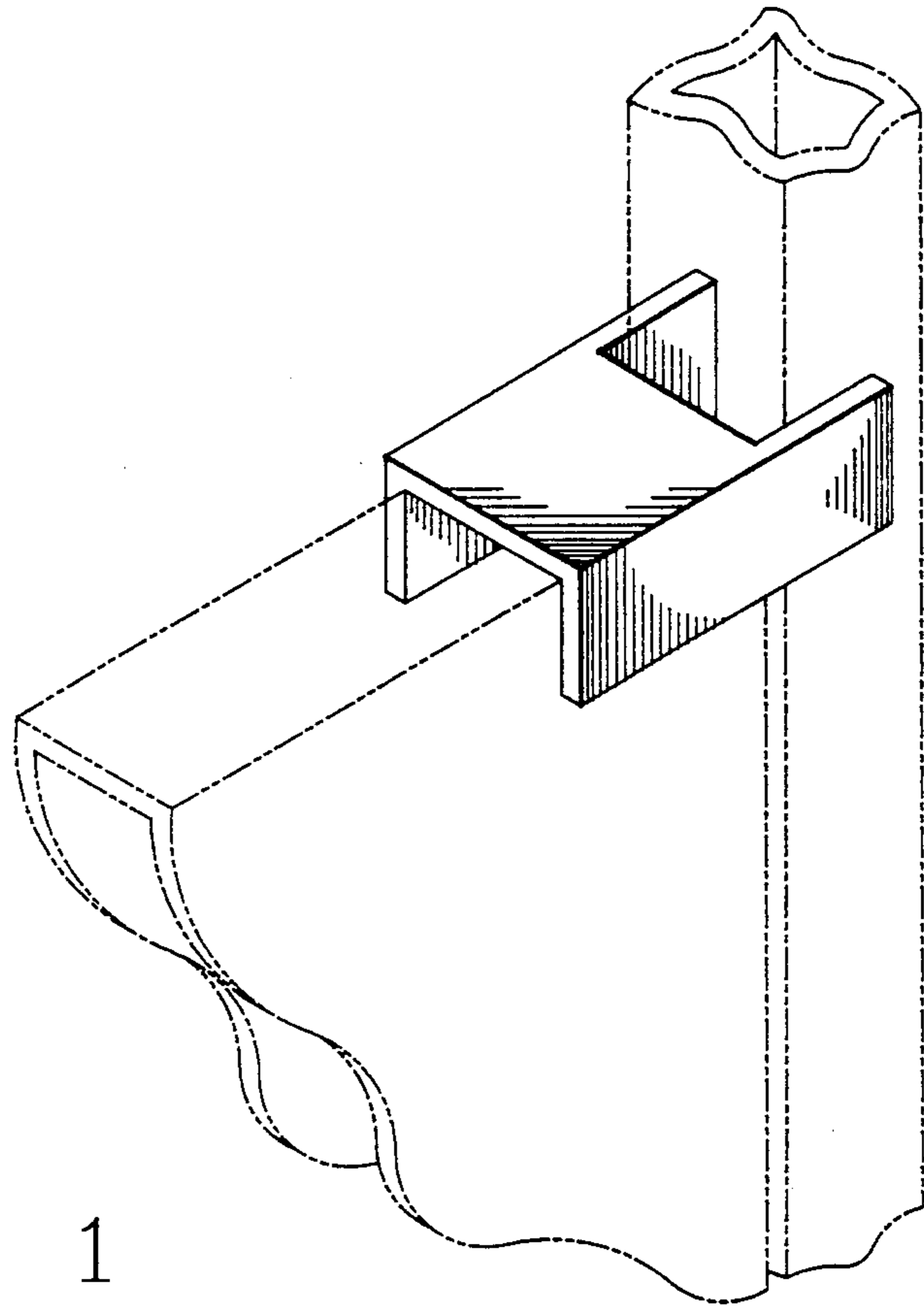


FIG. 1

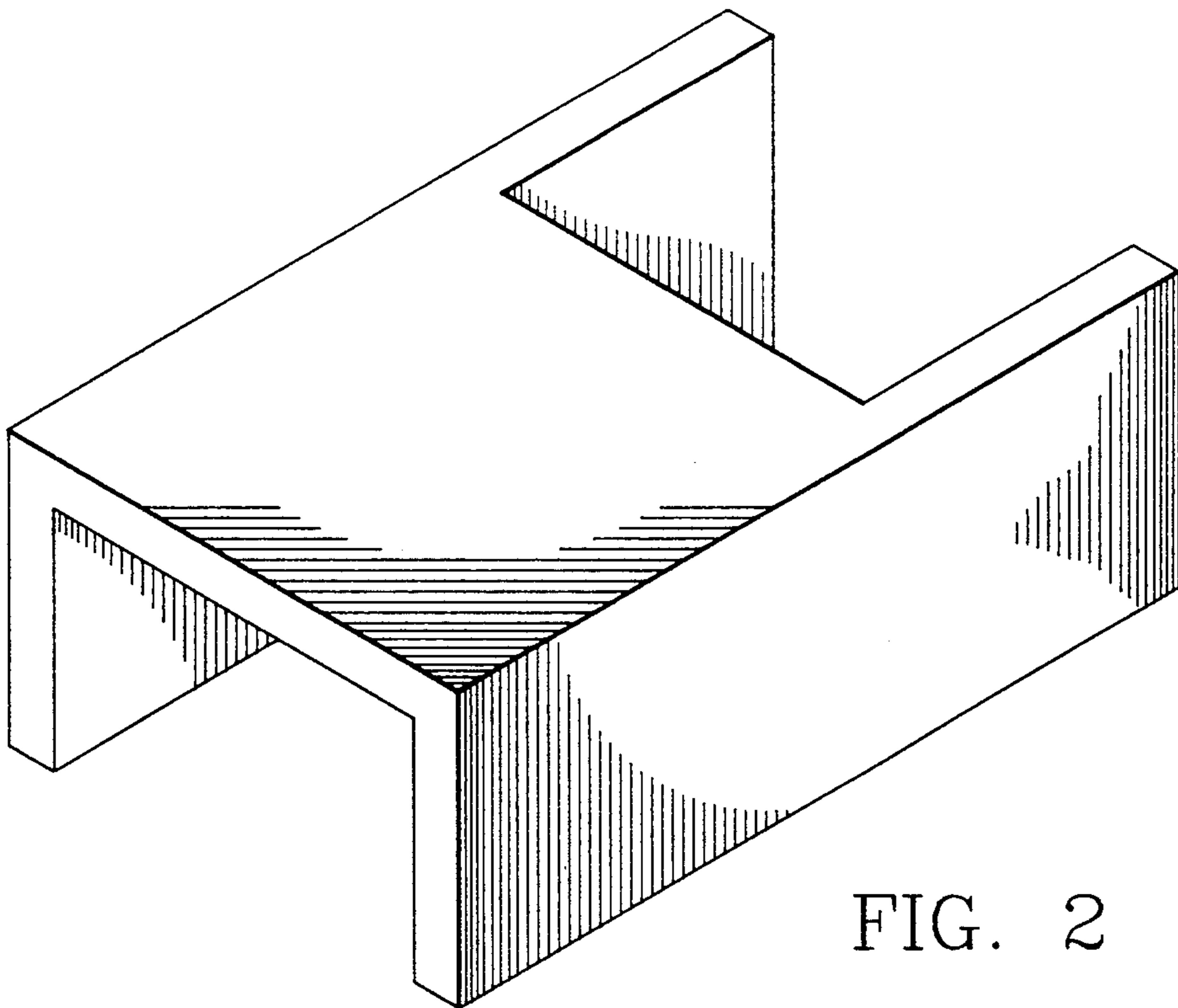


FIG. 2

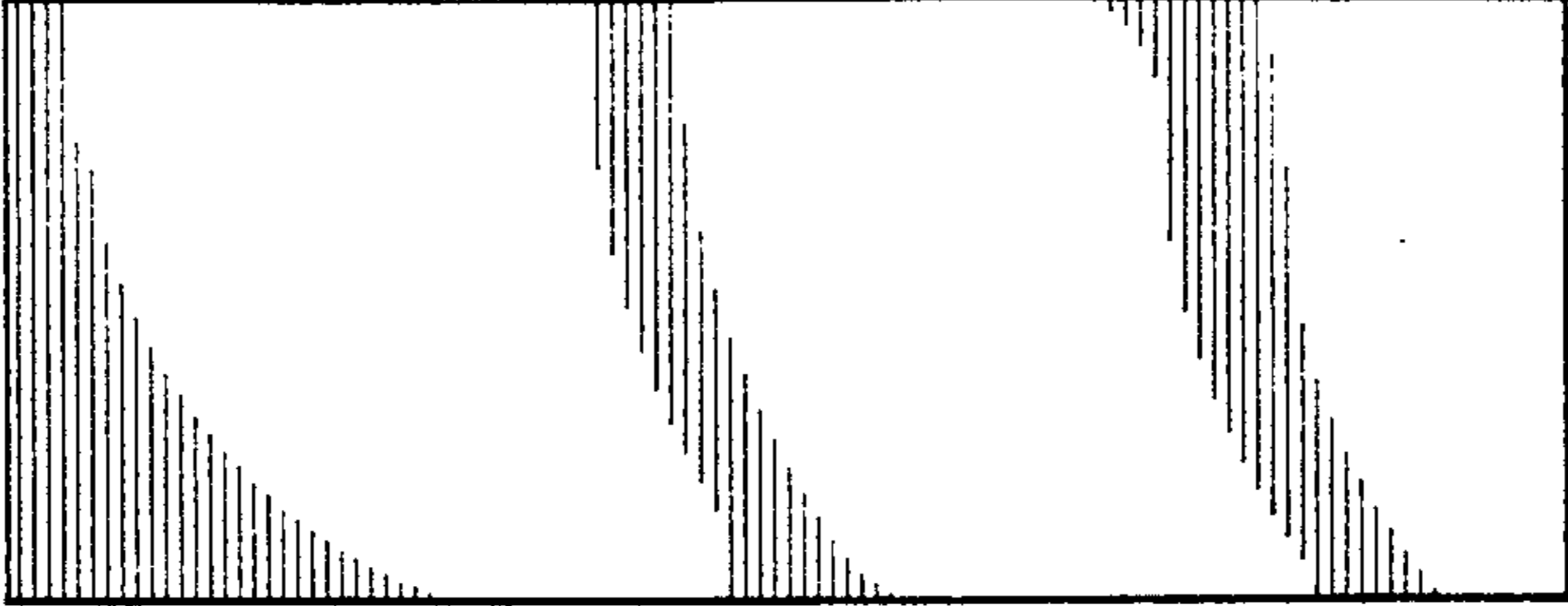


FIG. 3

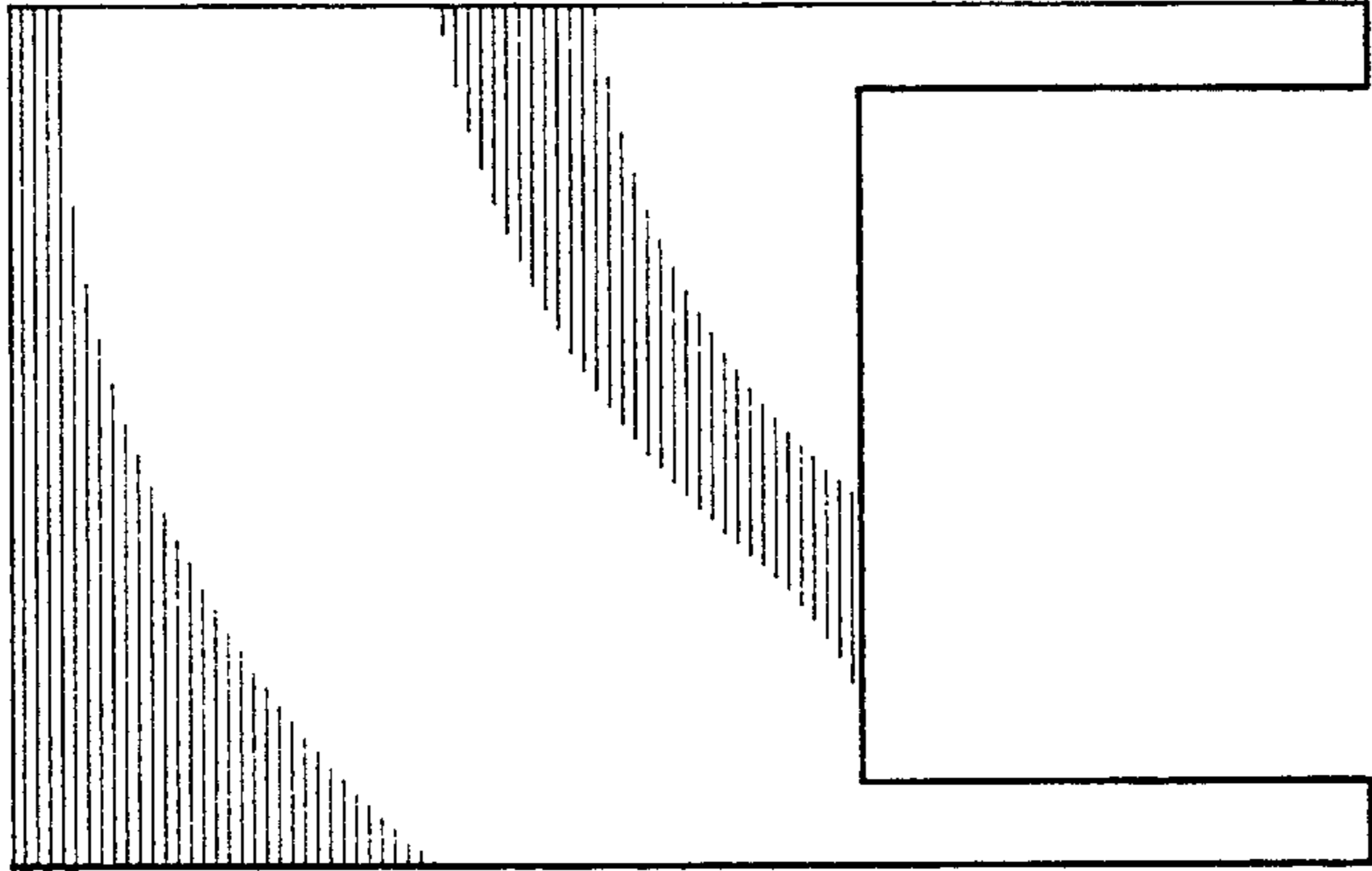


FIG. 4

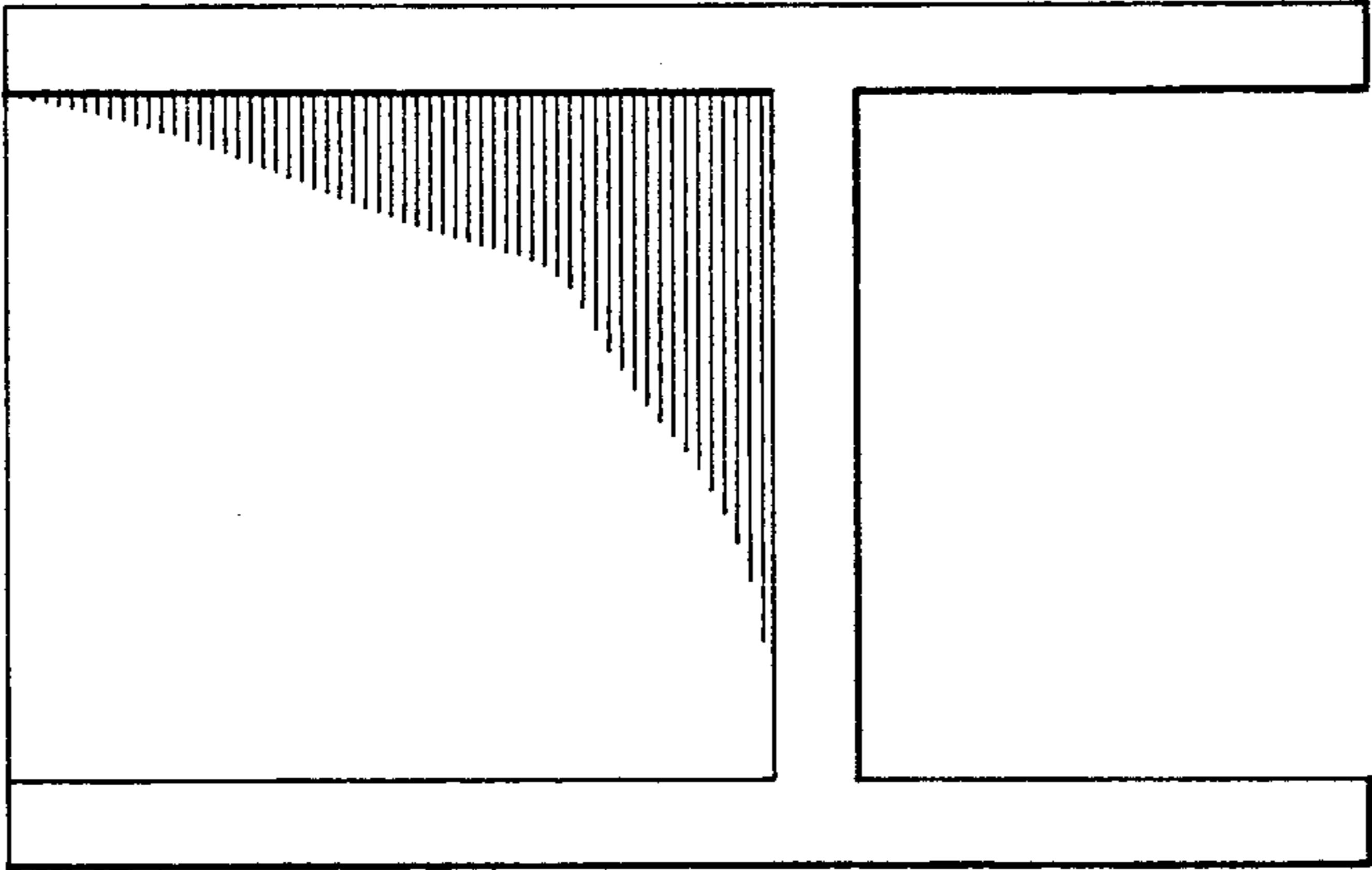


FIG. 5

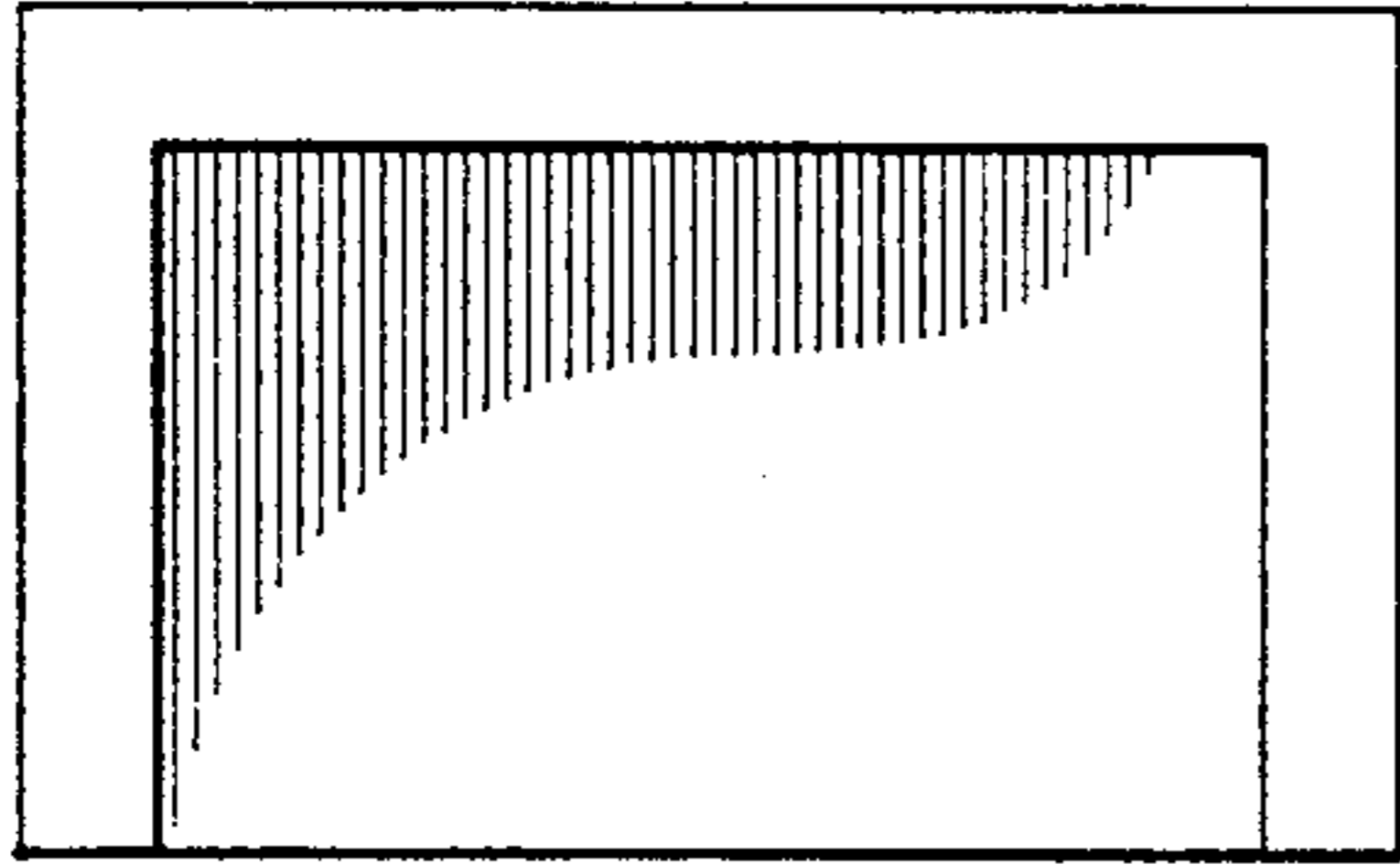


FIG. 6

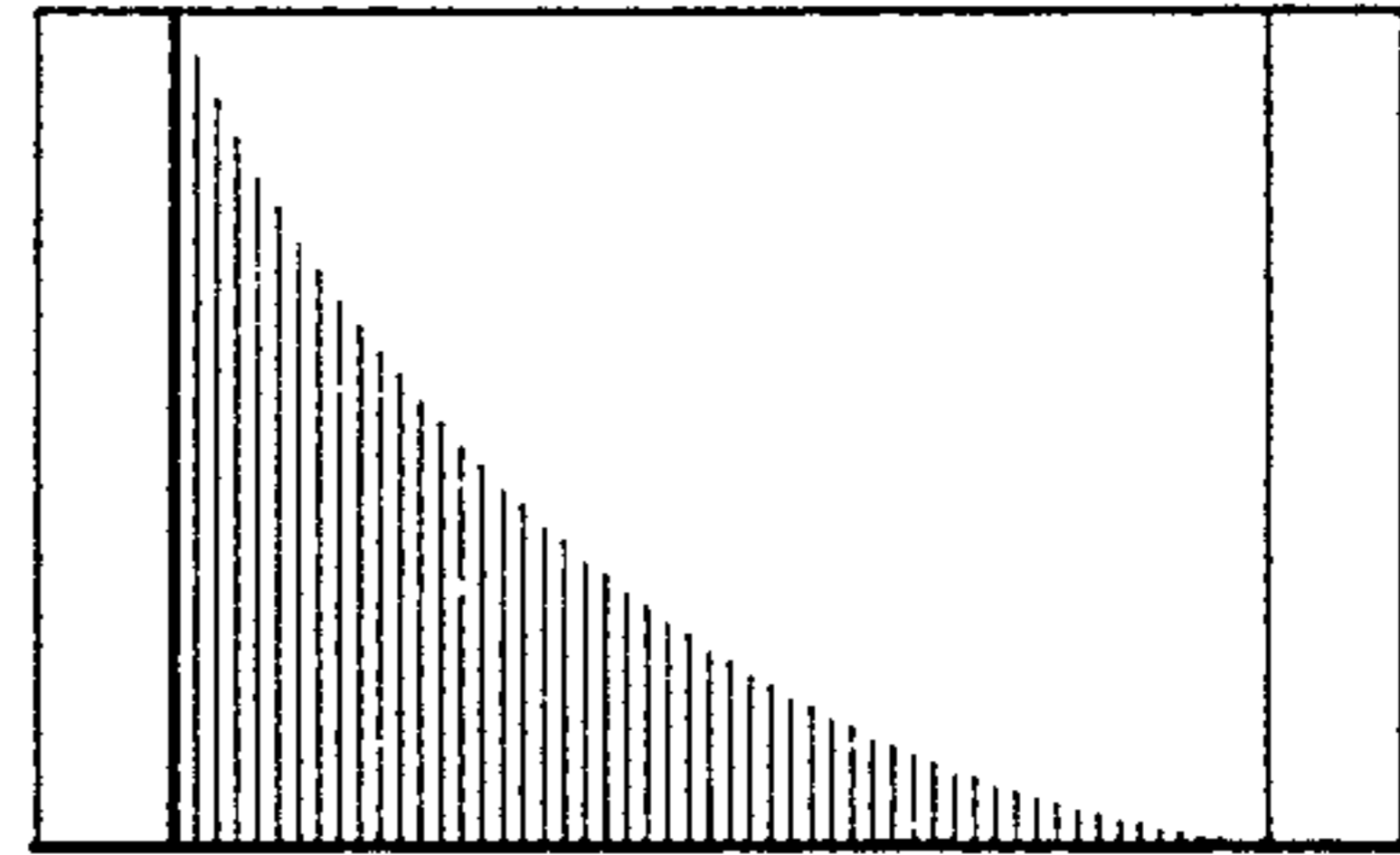


FIG. 7

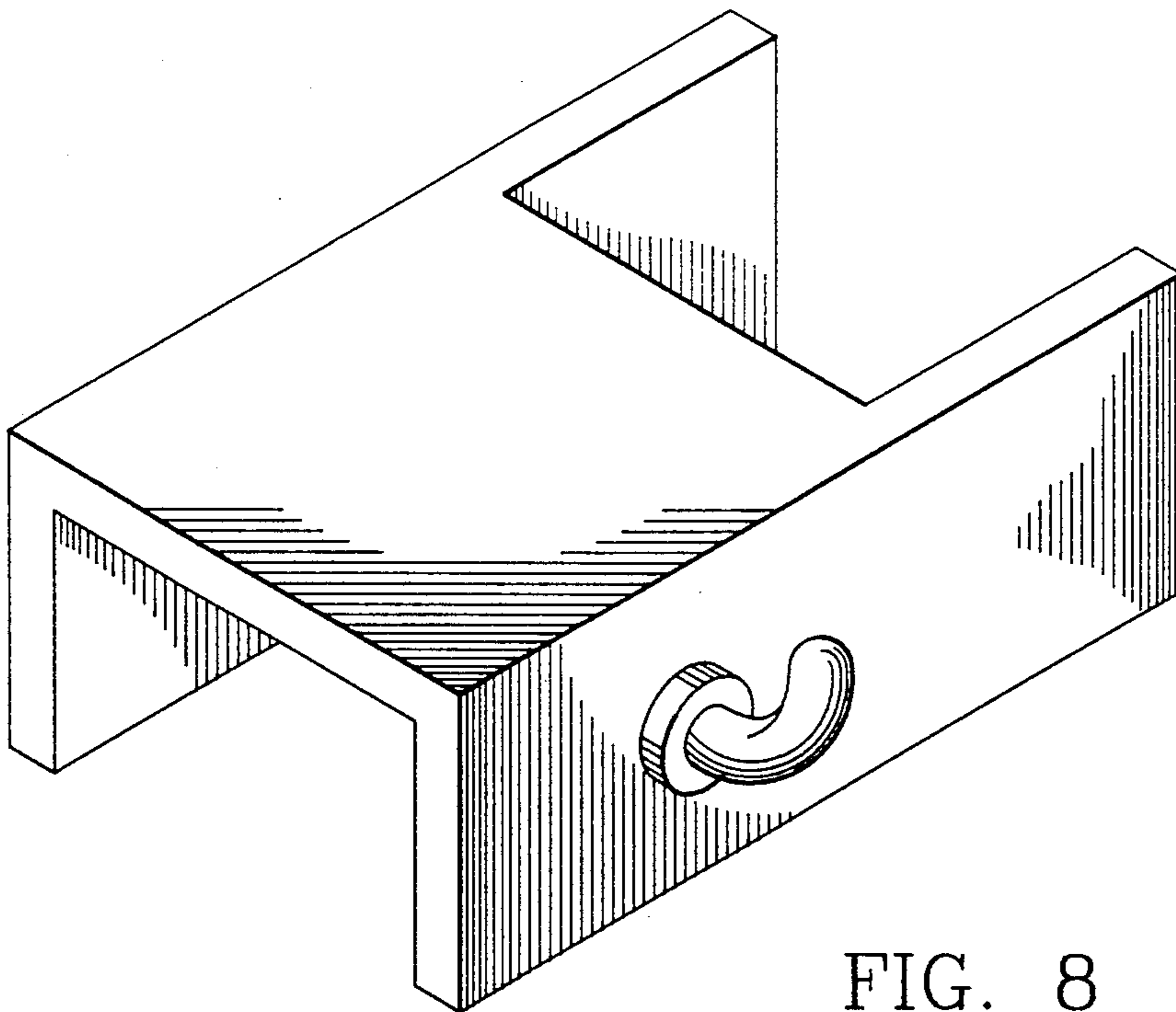


FIG. 8