



US00D329797S

United States Patent [19]

Baker

[11] Patent Number: **Des. 329,797**

[45] Date of Patent: **** Sep. 29, 1992**

[54] **KNIFE SHARPENER**

[76] Inventor: **John M. Baker**, Rte. 3, Box 365-E, Sylva, N.C. 28779

[**] Term: **14 Years**

[21] Appl. No.: **445,020**

[22] Filed: **Dec. 4, 1989**

[52] U.S. Cl. **D8/93**

[58] Field of Search D8/91, 92, 93; 51/181, 51/205, 211, 214; D28/7; D19/41, 43

[56] **References Cited**

U.S. PATENT DOCUMENTS

2,806,333	9/1957	Head	51/205 R
3,735,542	5/1973	Kocian	51/181 R
3,861,087	1/1975	Martin	51/205 R
4,094,106	6/1978	Harris	51/214
4,197,677	4/1980	Graves	51/214

OTHER PUBLICATIONS

Chicago Cutlery Cat., 1983, Crock Sticks and Sharpeners.

Gutmann Tools Cat., 1982, p. 58, Sharpening Aids.

Primary Examiner—Bernard Ansher

Assistant Examiner—Philip Hyder

Attorney, Agent, or Firm—Carter and Schnedler

[57] **CLAIM**

The ornamental design for a knife sharpener, as shown.

DESCRIPTION

FIG. 1 is a perspective view of a knife sharpener showing my new design, in an extended state;

FIG. 2 is a front elevational view thereof, the rear appearing the same, in a closed state;

FIG. 3 is a side elevational view of FIG. 2;

FIG. 4 is a top plan view of FIG. 2; and,

FIG. 5 is an alternate perspective view thereof.

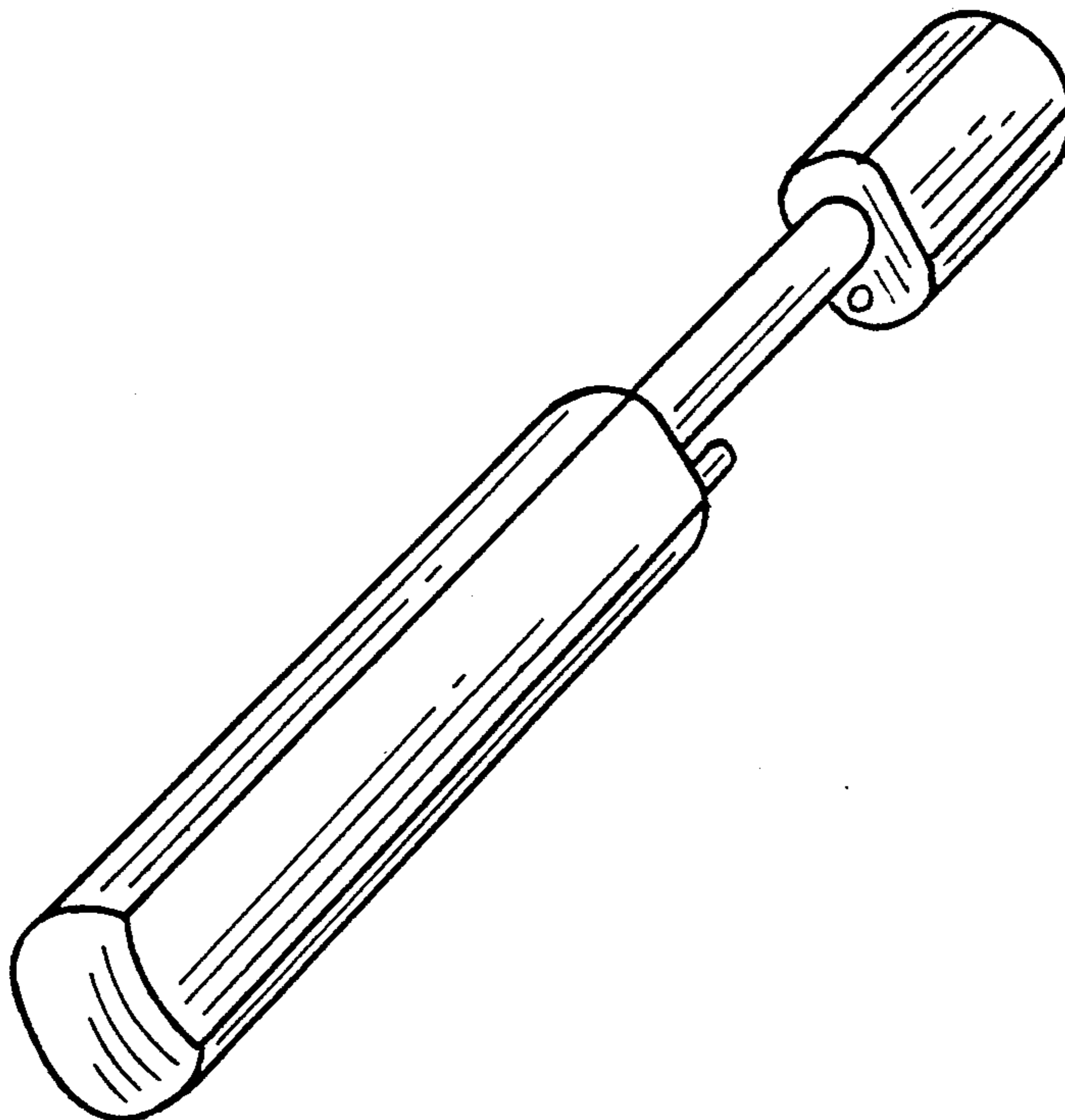


FIG. 1

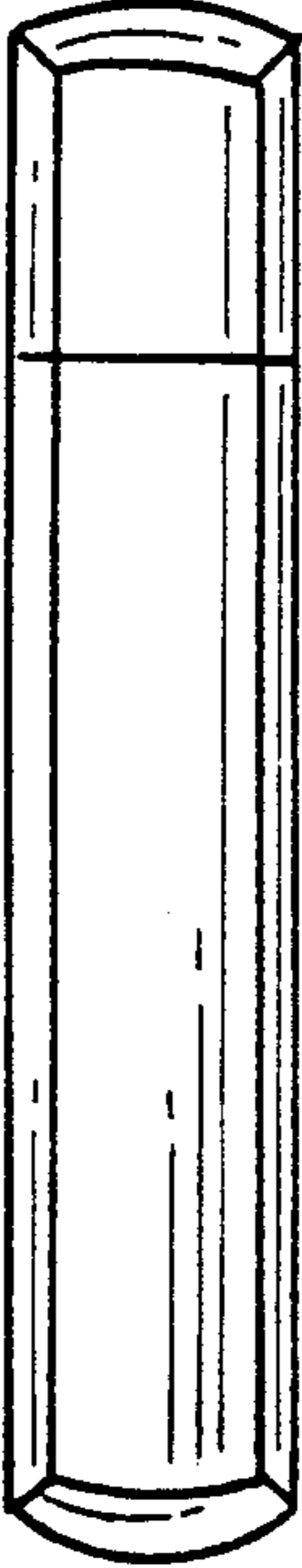
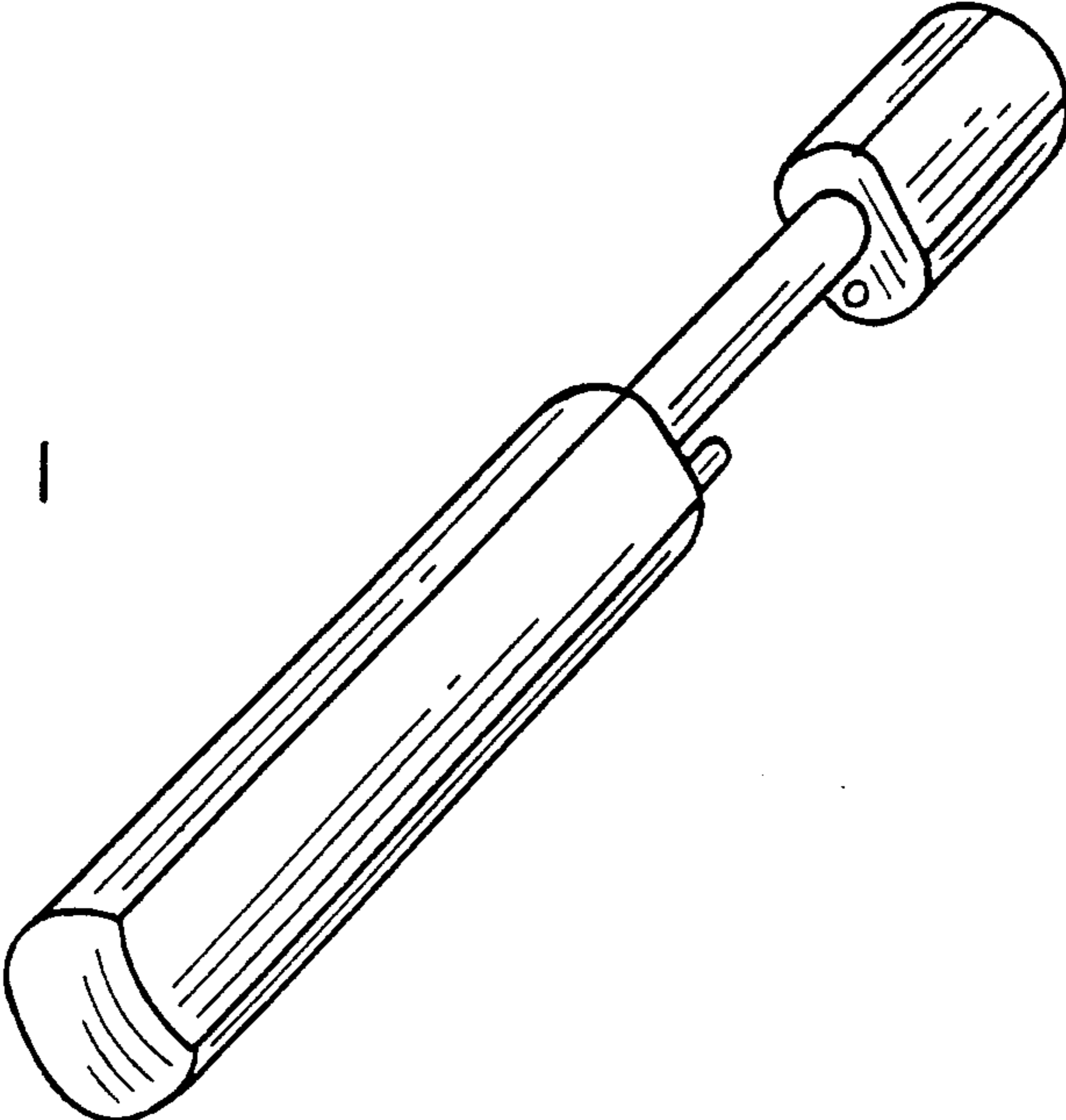


FIG. 2

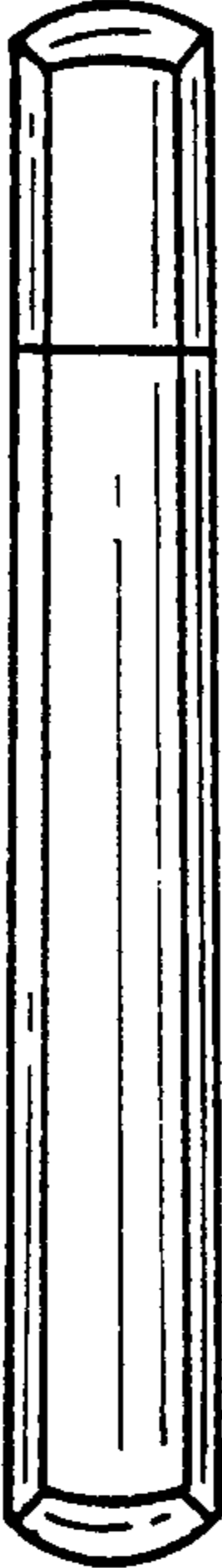


FIG. 3

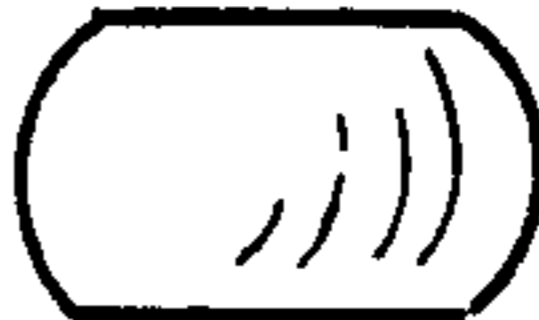


FIG. 4

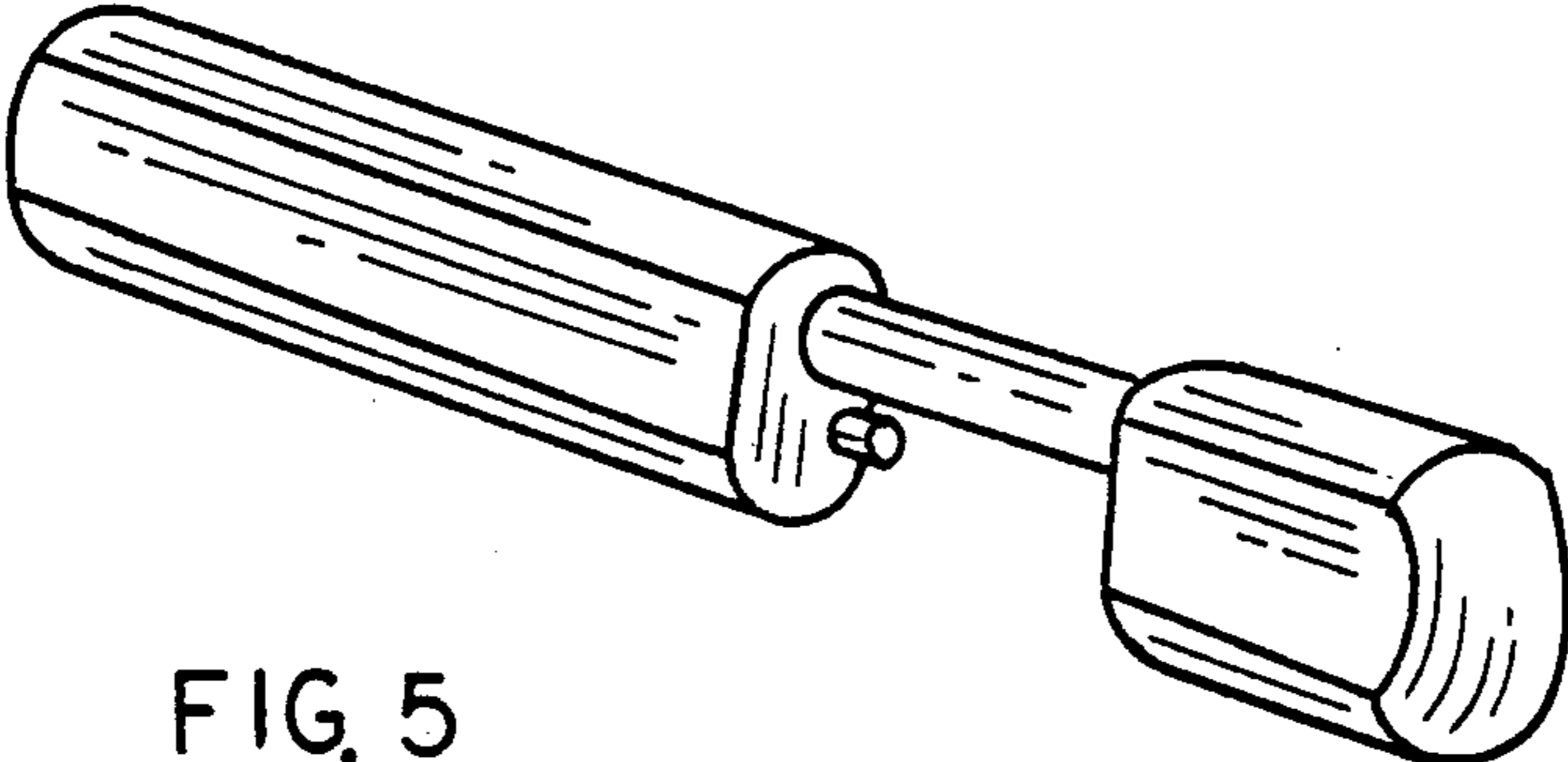


FIG. 5