



US00D329794S

United States Patent [19] Graham

[11] Patent Number: **Des. 329,794**

[45] Date of Patent: **** Sep. 29, 1992**

[54] **DRILL**

[75] Inventor: **Michael Graham, Cramlington, England**

[73] Assignee: **Thor Tools Limited, United Kingdom**

[**] Term: **14 Years**

[21] Appl. No.: **514,046**

[22] Filed: **Apr. 10, 1990**

[30] **Foreign Application Priority Data**

Oct. 10, 1989 [GB] United Kingdom 2001598

[52] U.S. Cl. **D8/68; D8/69**

[58] Field of Search D8/68, 69, 61; 81/57, 81/57.11, 57.14; 173/170; 408/124, 125; 310/50

[56] **References Cited**

U.S. PATENT DOCUMENTS

D. 301,300 5/1989 Sasaki et al. D8/69

D. 320,918 10/1991 Mochida D8/68
3,602,318 8/1971 Slany 173/170
4,770,254 9/1988 Kominami 173/109

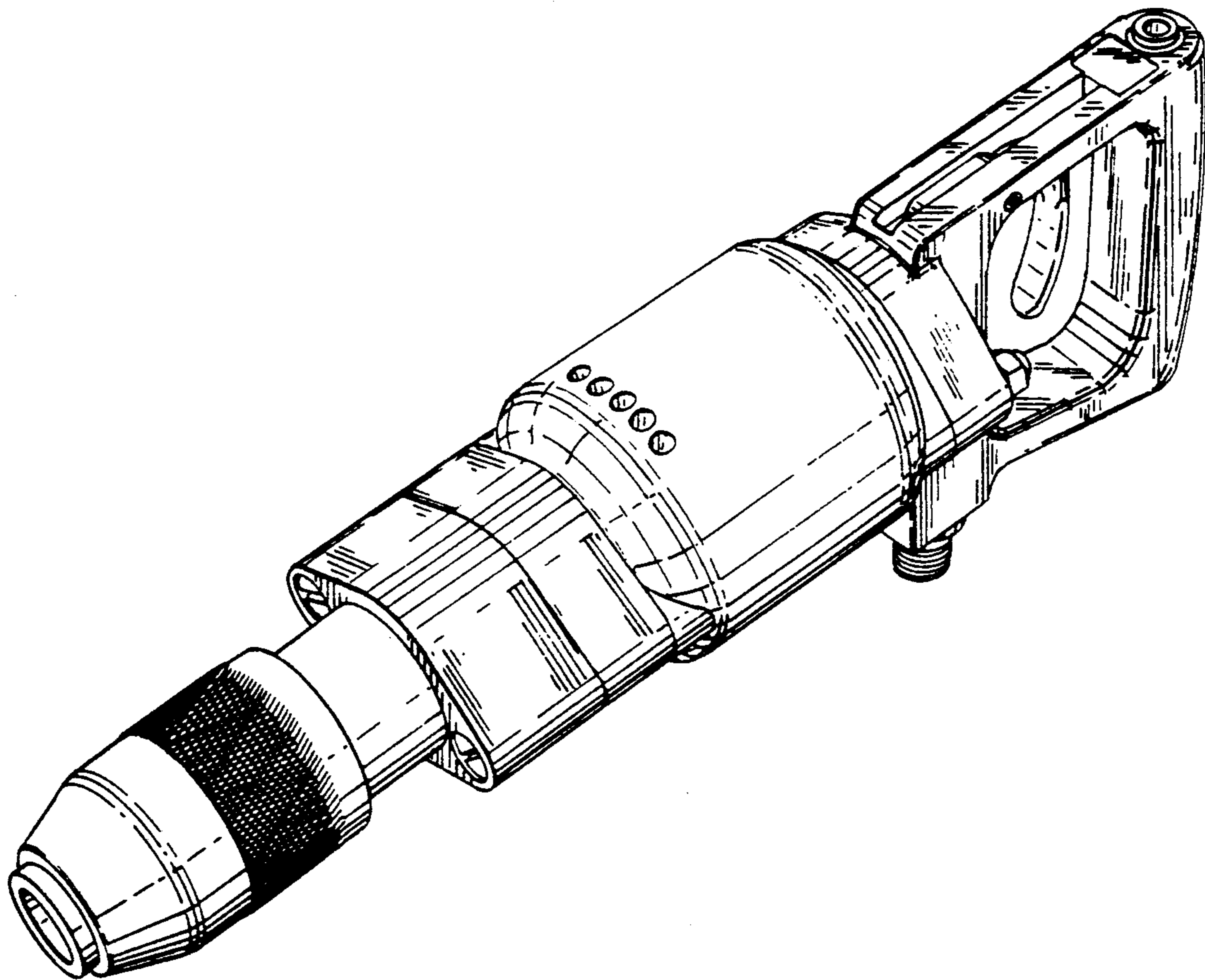
Primary Examiner—Donald P. Walsh
Assistant Examiner—J. H. Musgrove
Attorney, Agent, or Firm—Stevens, Davis, Miller & Mosher

[57] **CLAIM**

The ornamental design for a drill, as shown and described.

DESCRIPTION

FIG. 1 is a front, top and right side perspective view of a drill showing my new design;
FIG. 2 is a left side elevational view;
FIG. 3 is a top plan view;
FIG. 4 is a front elevational view;
FIG. 5 is a rear elevational view; and,
FIG. 6 is a bottom plan view thereof.



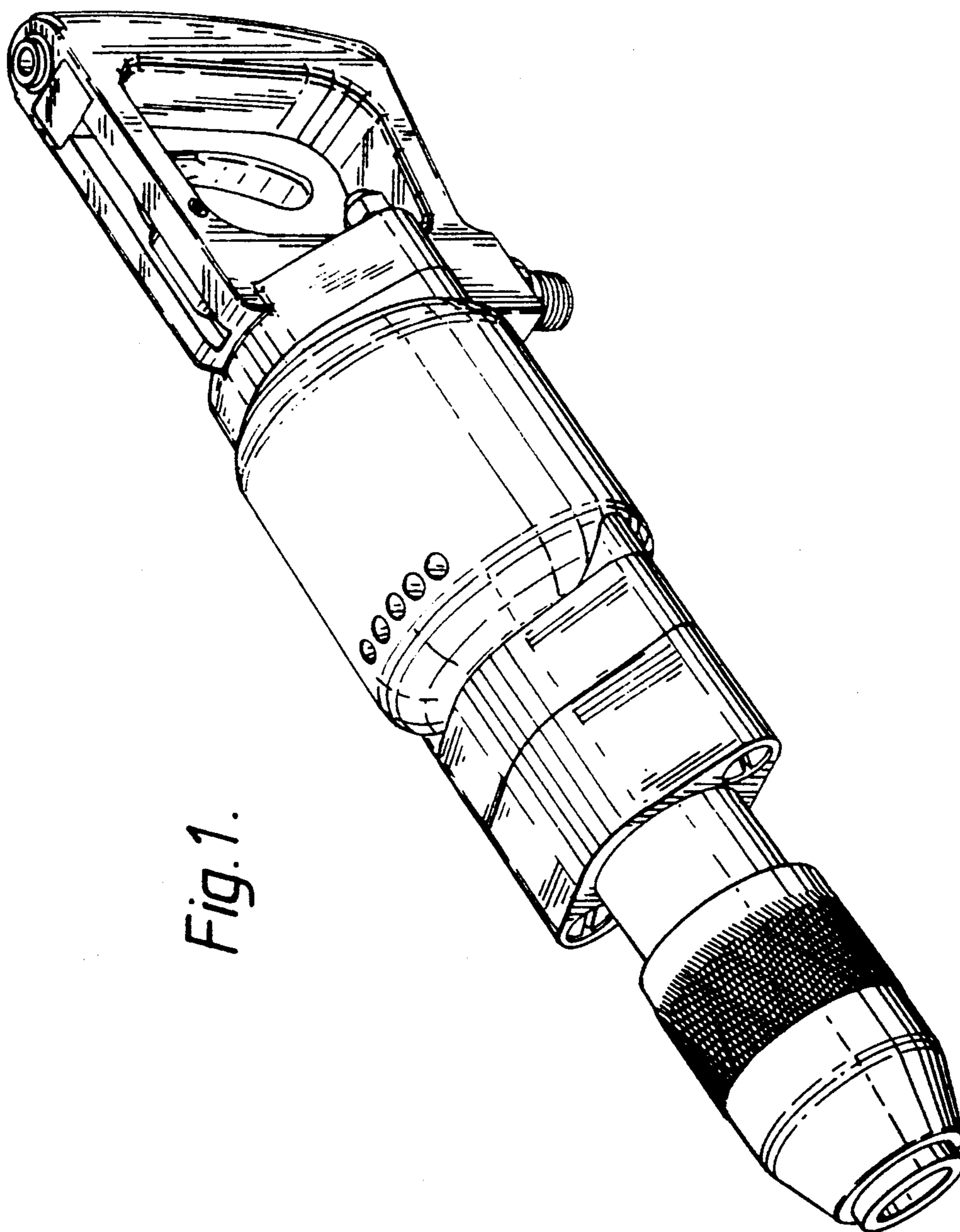


Fig. 1.

FIG. 2.

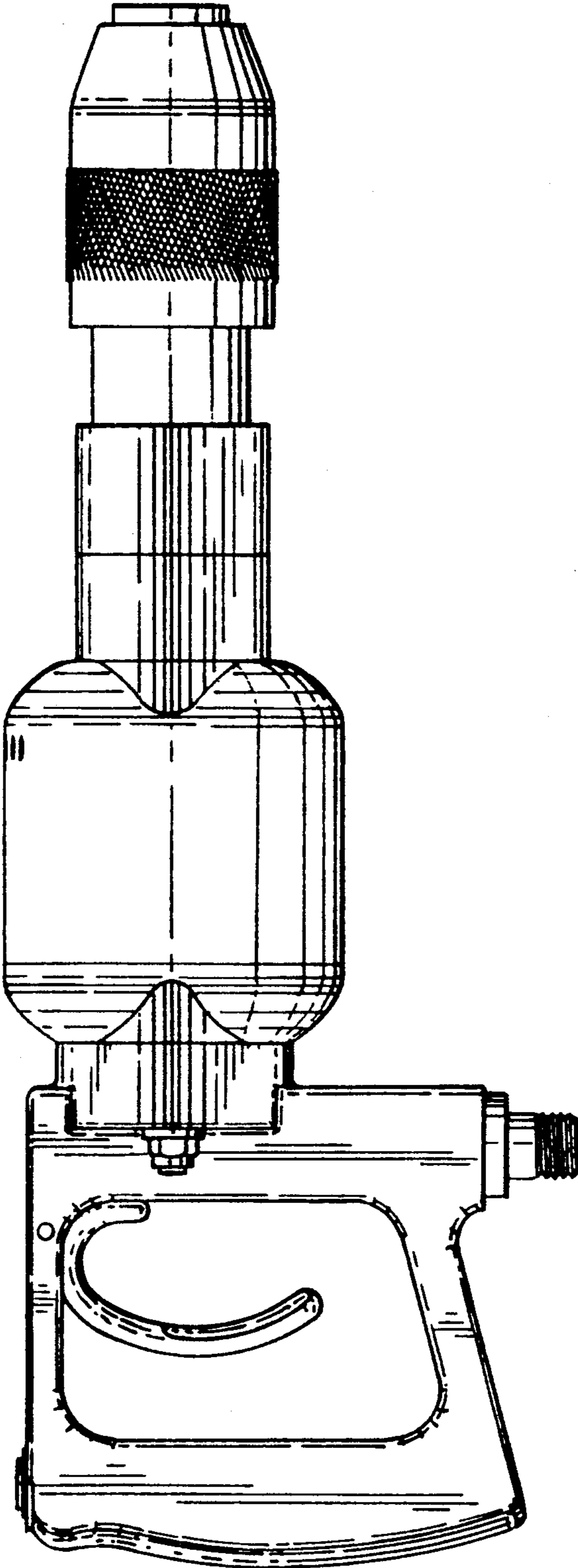
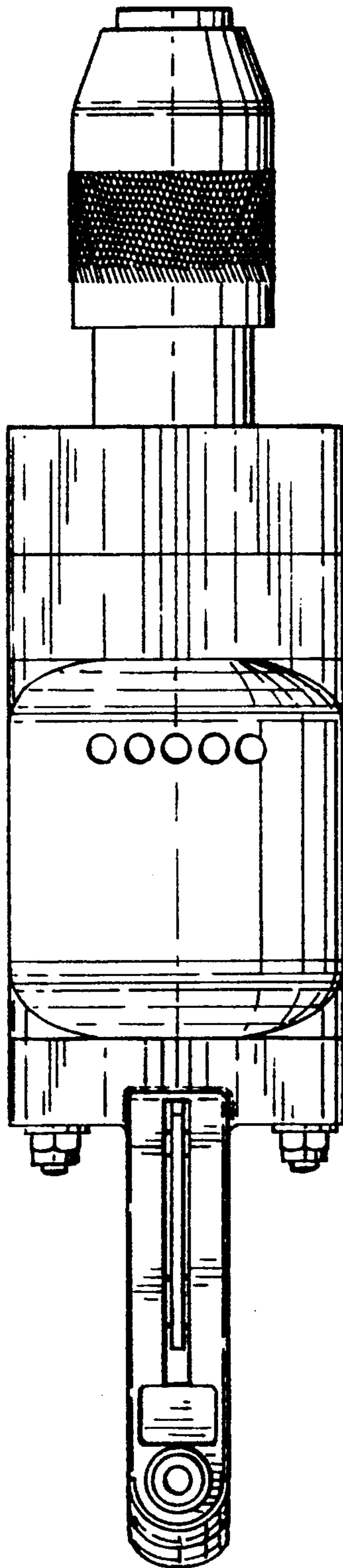


Fig. 3.



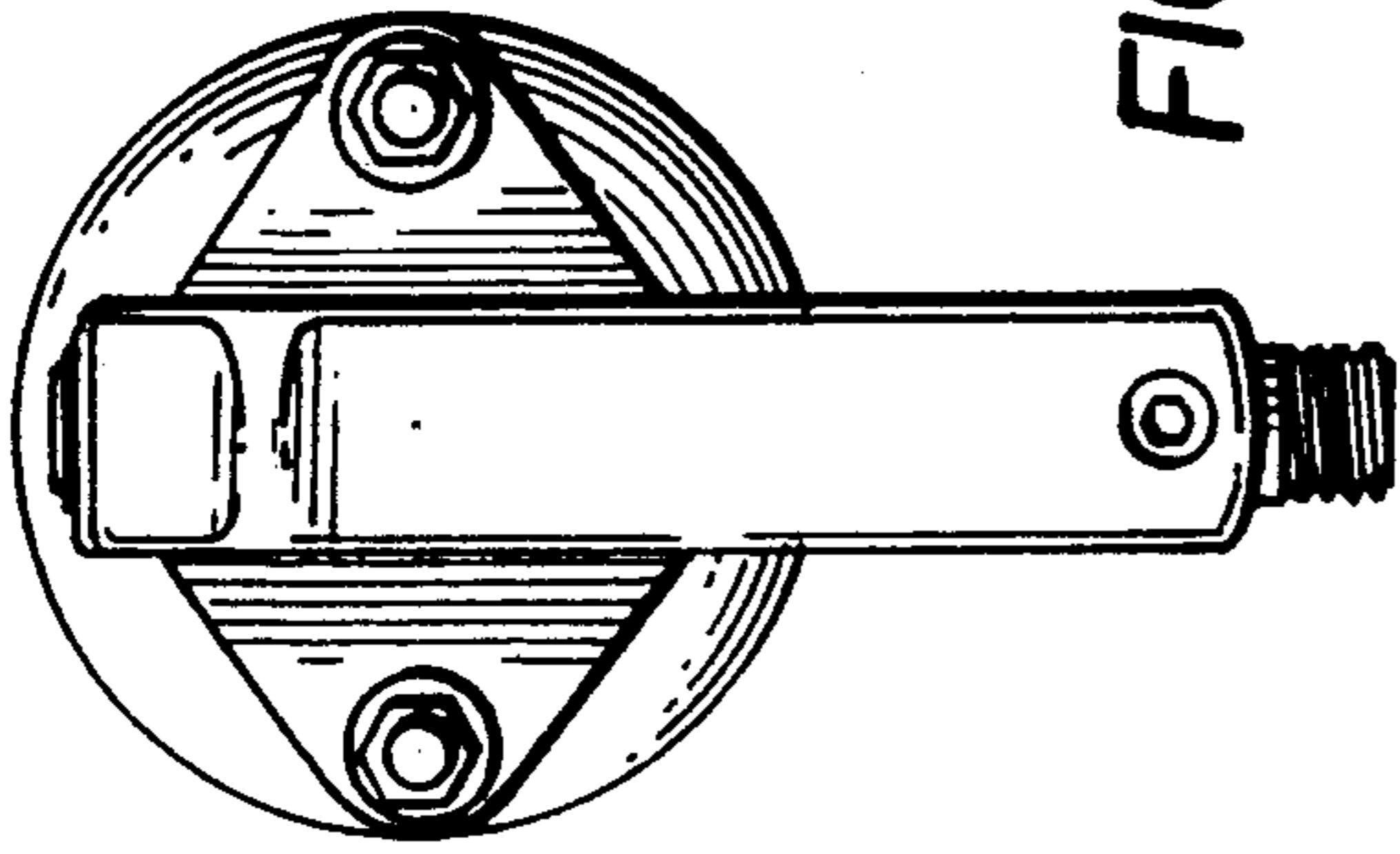


FIG. 5

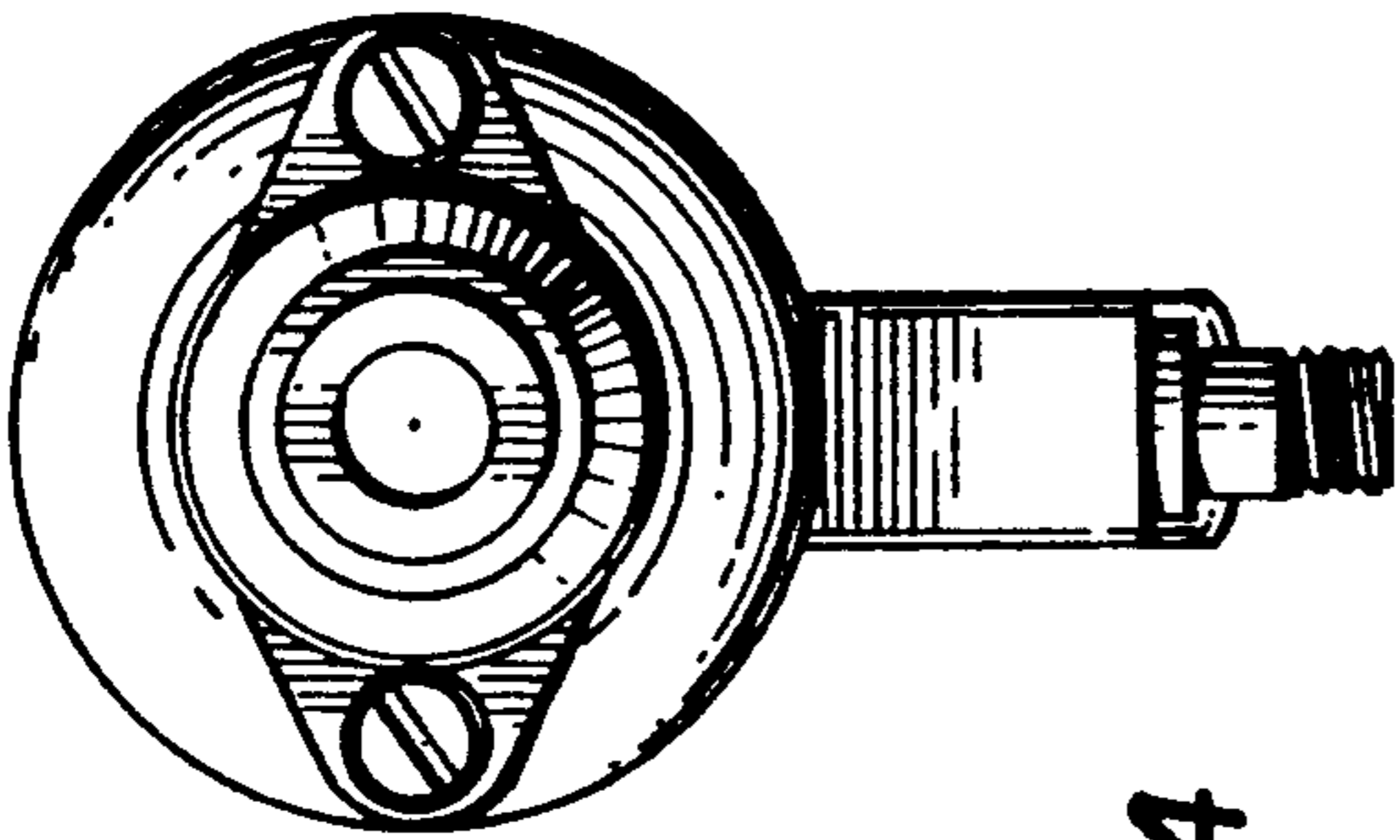


FIG. 4

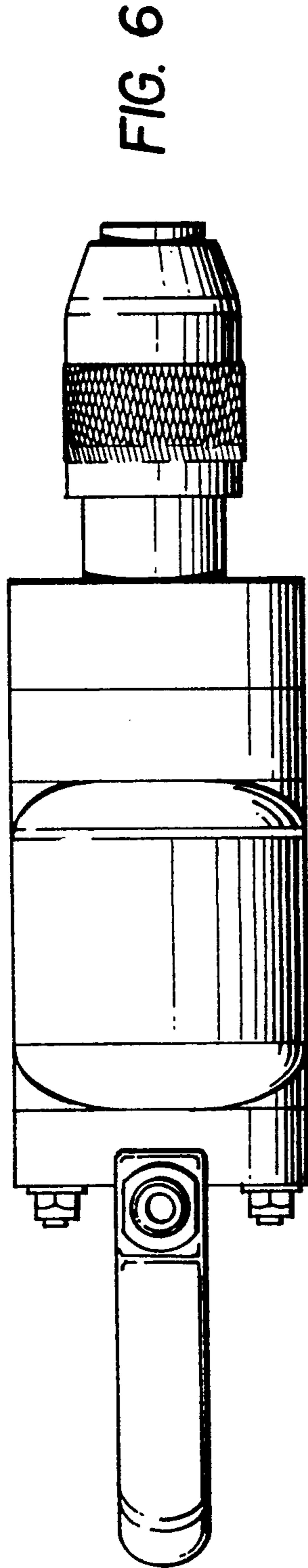


FIG. 6