



US00D329793S

United States Patent [19]

[11] Patent Number: **Des. 329,793**

Fukuda

[45] Date of Patent: **** Sep. 29, 1992**

[54] PIPE CUTTER

[75] Inventor: **Kenji Fukuda, Tokyo, Japan**

[73] Assignee: **Nitto Kohki Co., Ltd., Tokyo, Japan**

[**] Term: **14 Years**

[21] Appl. No.: **547,157**

[22] Filed: **Jul. 3, 1990**

[30] Foreign Application Priority Data

Jan. 16, 1990 [JP] Japan 2-470

[52] U.S. Cl. **D8/60**

[58] Field of Search D8/60, 14, 51, 98-100;
30/99, 100, 101, 102

[56] References Cited

U.S. PATENT DOCUMENTS

- D. 181,210 10/1957 Lindley et al. D8/60
- D. 249,015 8/1978 Matthews et al. D8/60

- D. 309,563 7/1990 Astle D8/60
- 1,808,315 6/1931 Nonneman D8/60 X
- 2,255,009 9/1941 Ingwer D8/60 X
- 4,438,562 3/1984 Courty 30/99
- 4,560,098 12/1985 Tupper D8/60 X

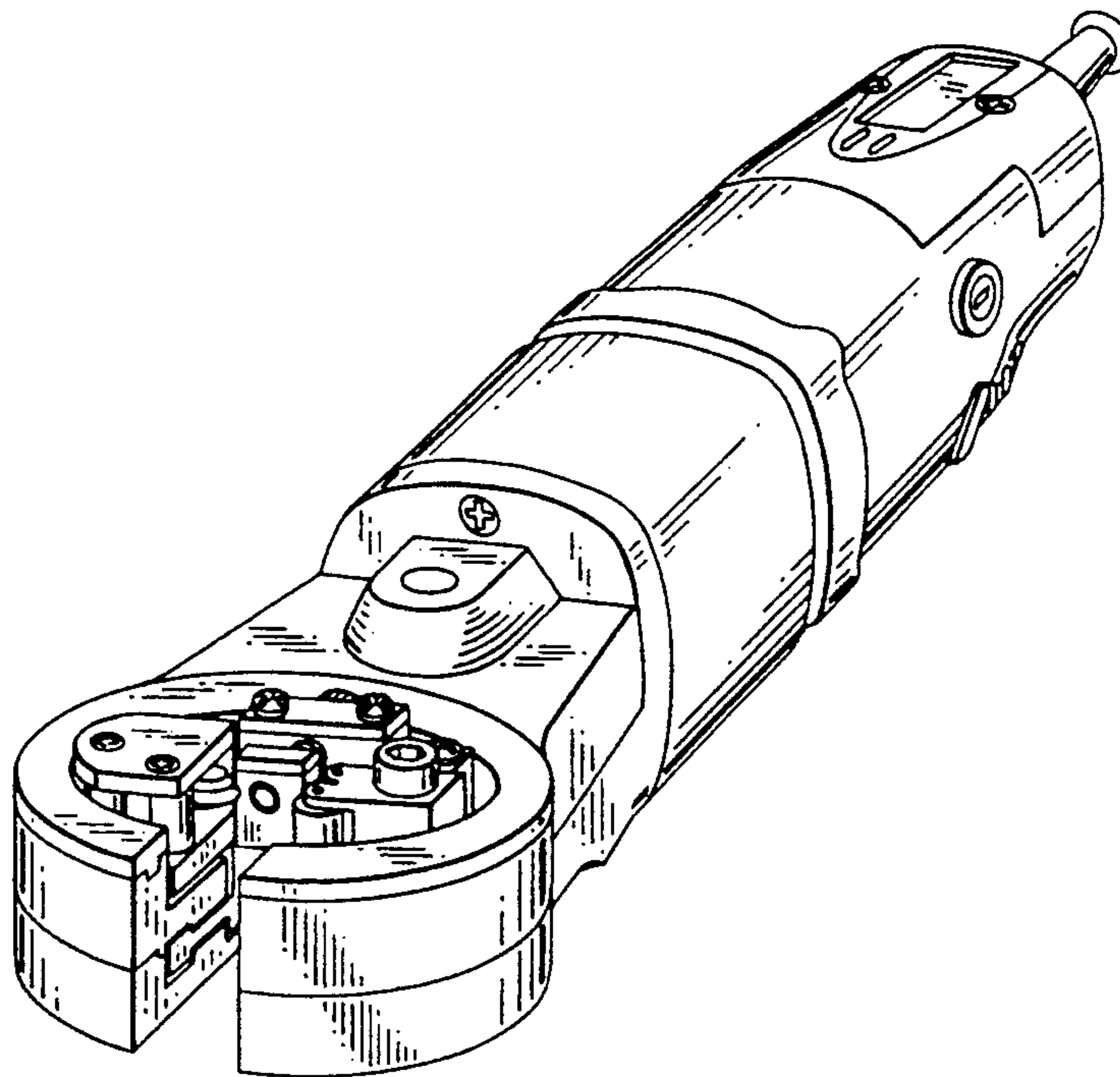
Primary Examiner—Donald P. Walsh
Assistant Examiner—Jeff Musgrove
Attorney, Agent, or Firm—Wenderoth, Lind & Ponack

[57] CLAIM

The ornamental design for pipe cutter, as shown.

DESCRIPTION

FIG. 1 is a top, front and right-side perspective view of a pipe cutter showing my new design;
 FIG. 2 is a right side elevational view thereof;
 FIG. 3 is a left side elevational view thereof;
 FIG. 4 is a front elevational view thereof;
 FIG. 5 is a rear elevational view thereof;
 FIG. 6 is a top plan view thereof; and,
 FIG. 7 is a bottom plan view thereof.



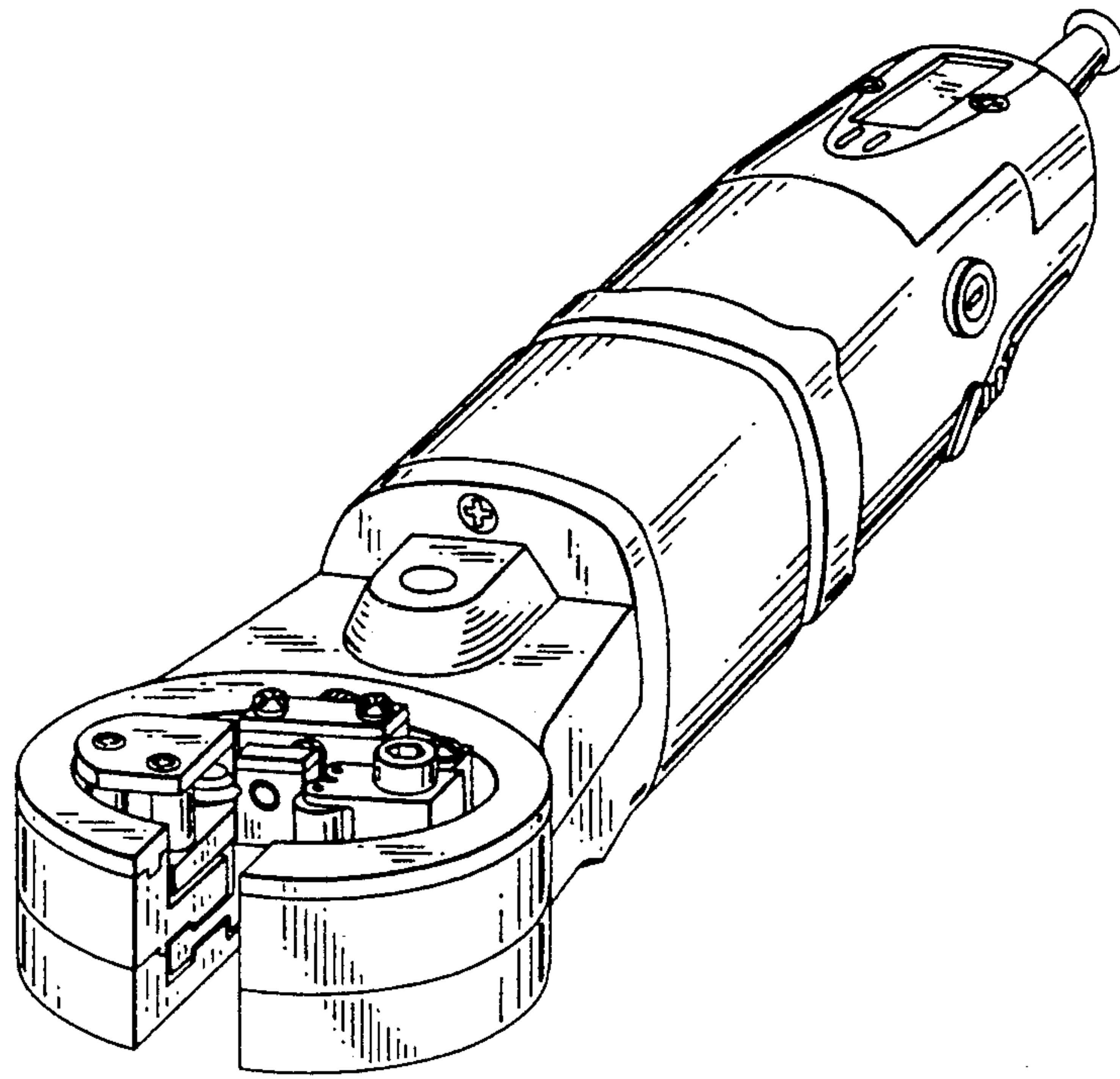


FIG. 1

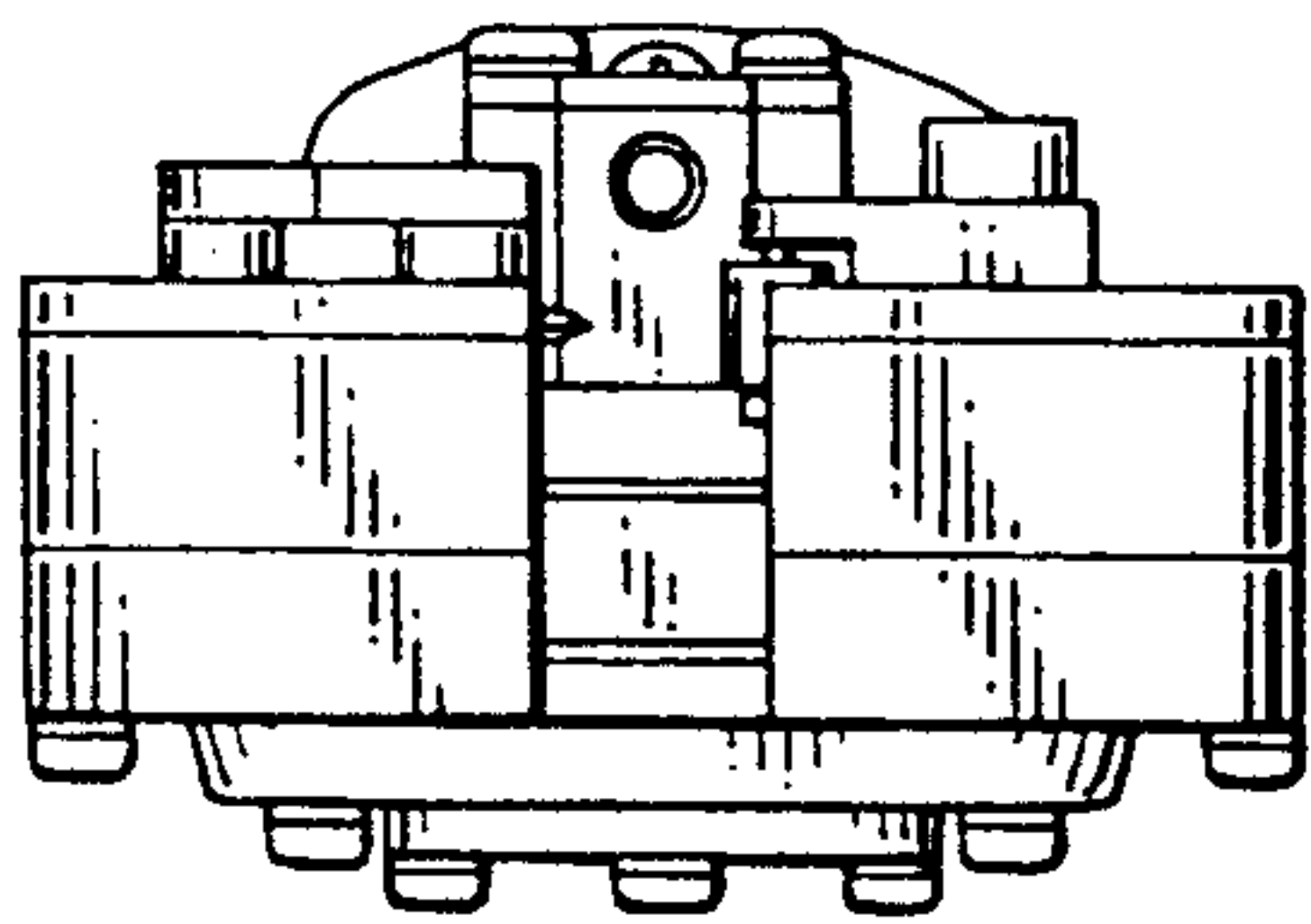


FIG. 4

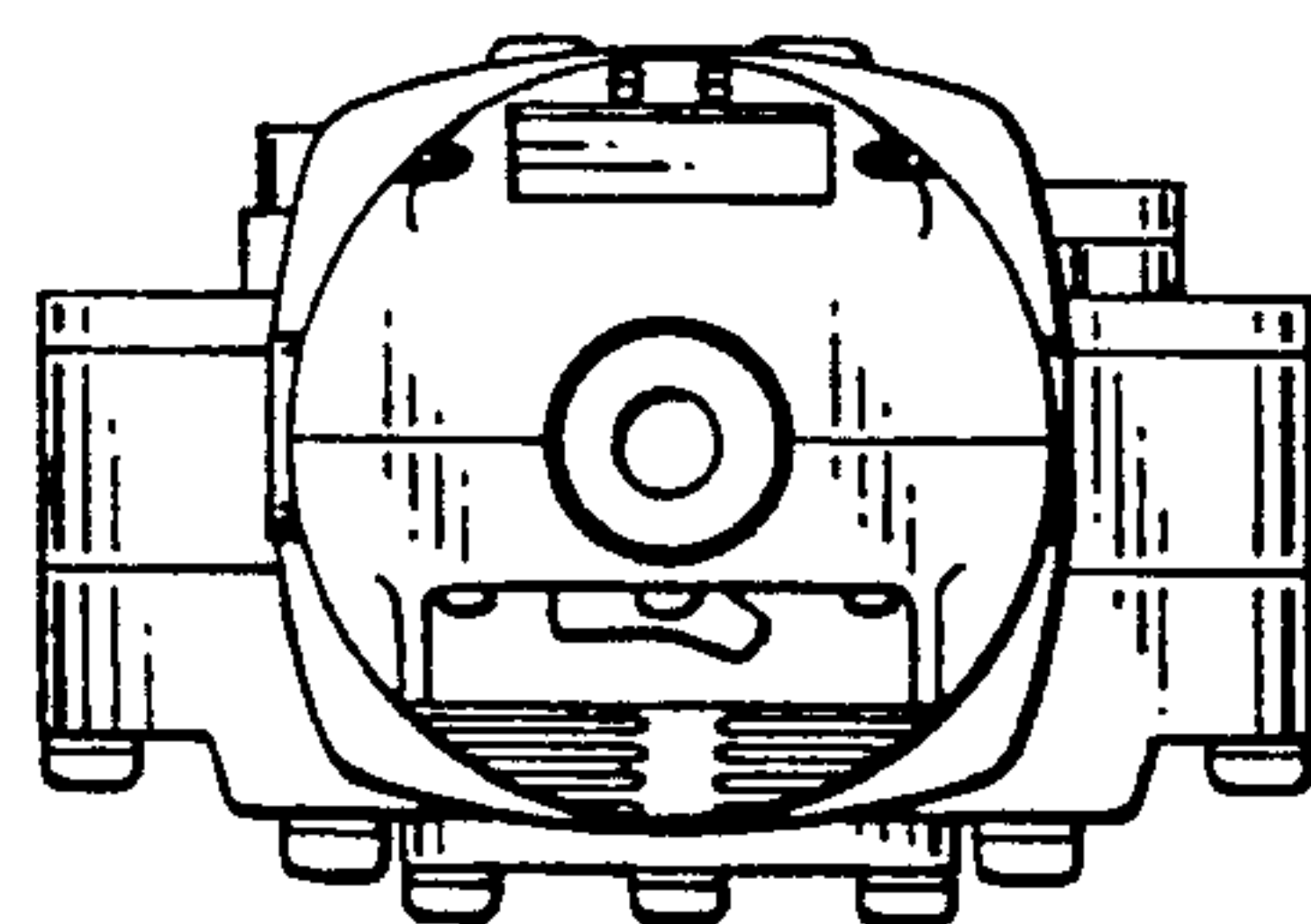


FIG. 5

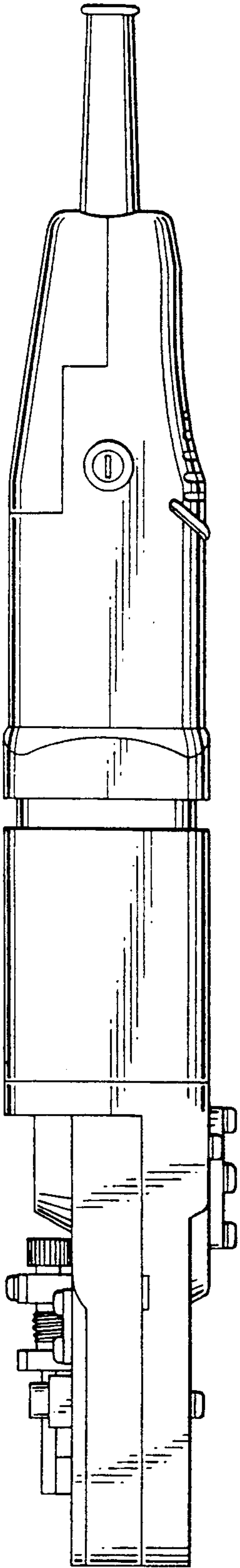


FIG. 2

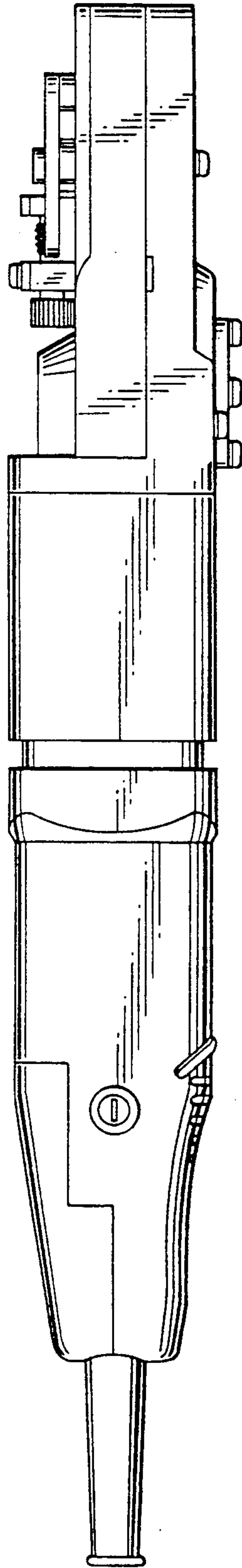


FIG. 3

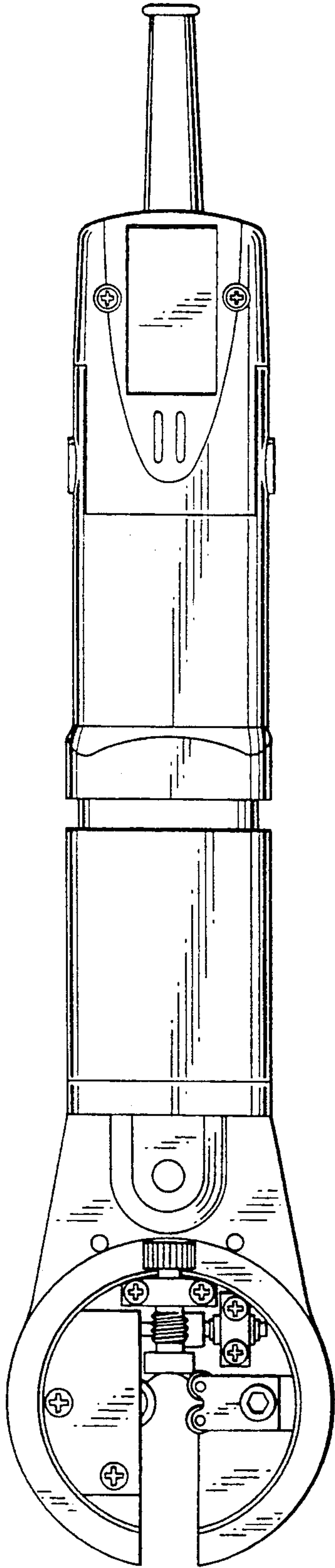


FIG. 6

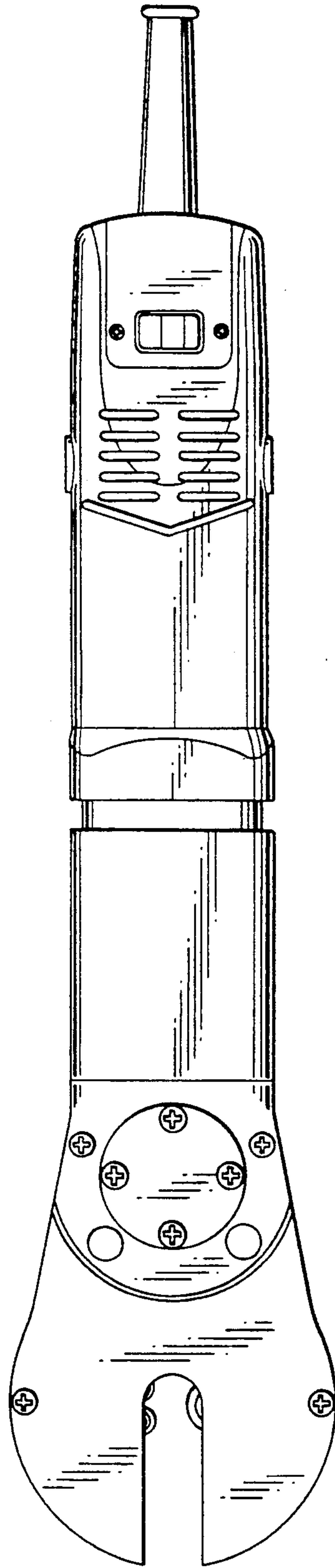


FIG. 7