



US00D329790S

United States Patent [19] Chi

[11] Patent Number: Des. 329,790

[45] Date of Patent: ** Sep. 29, 1992

[54] STAPLER

[76] Inventor: William H. N. Chi, No. 32,
Kwangcheng Rd., Tali Hsiang,
Taichung hsien, Taiwan

[**] Term: 14 Years

[21] Appl. No.: 765,715

[22] Filed: Sep. 26, 1991

[52] U.S. Cl. D8/50

[58] Field of Search D8/49, 50; 227/127,
227/128, 131, 134

[56] References Cited

U.S. PATENT DOCUMENTS

D. 264,925	6/1982	Bass	D8/50
D. 319,563	9/1991	Rosenblad	D8/50
1,967,064	7/1934	Polzer	227/134

OTHER PUBLICATIONS

U.S. Gov't Office and Furnishing Supply catalog 1981,
#113 and 300HD, p. 309.

Office Products 1978, p. 9, #H 30 PA.

Primary Examiner—Bernard Ansher

Assistant Examiner—R. Barkai

Attorney, Agent, or Firm—Morton J. Rosenberg; David
I. Klein

[57] CLAIM

The ornamental design for a stapler, as shown and de-
scribed.

DESCRIPTION

FIG. 1 is a perspective view of a stapler showing my
design;

FIG. 2 is a front elevational view thereof;

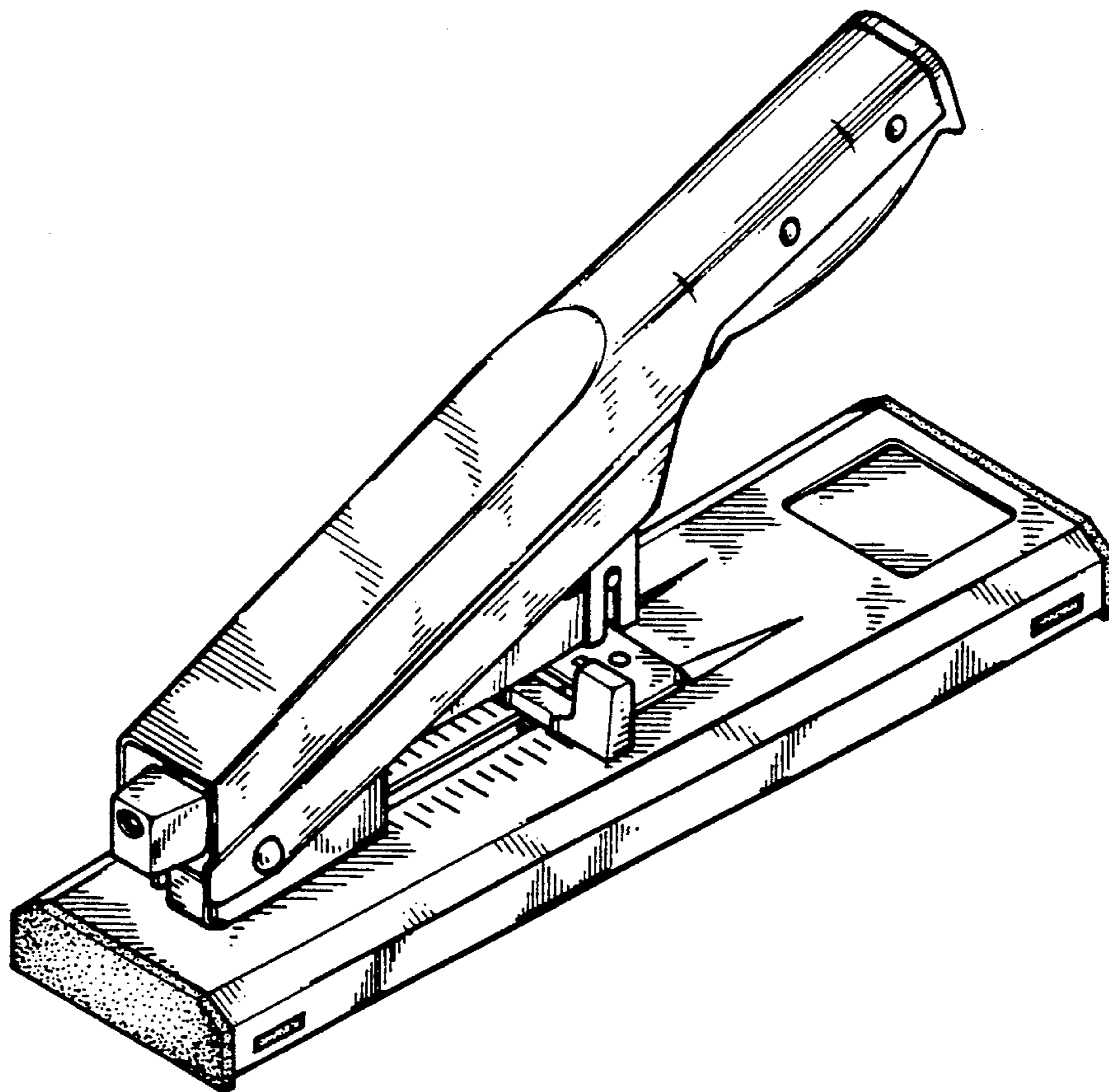
FIG. 3 is a rear elevational view thereof;

FIG. 4 is a left side elevational view thereof;

FIG. 5 is a right side elevational view thereof;

FIG. 6 is a top plan view thereof; and,

FIG. 7 is a bottom plan view thereof.



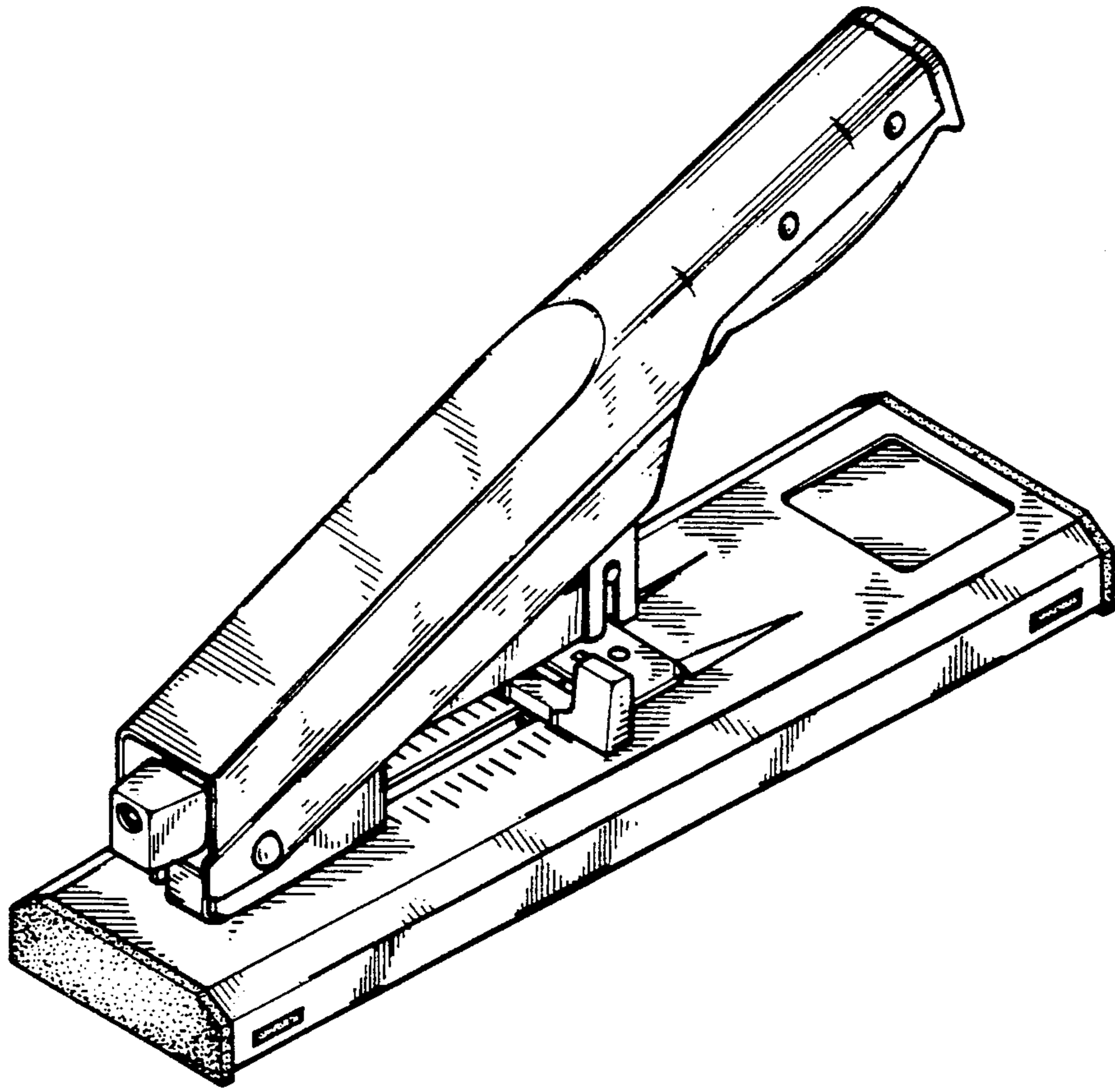


FIG.1

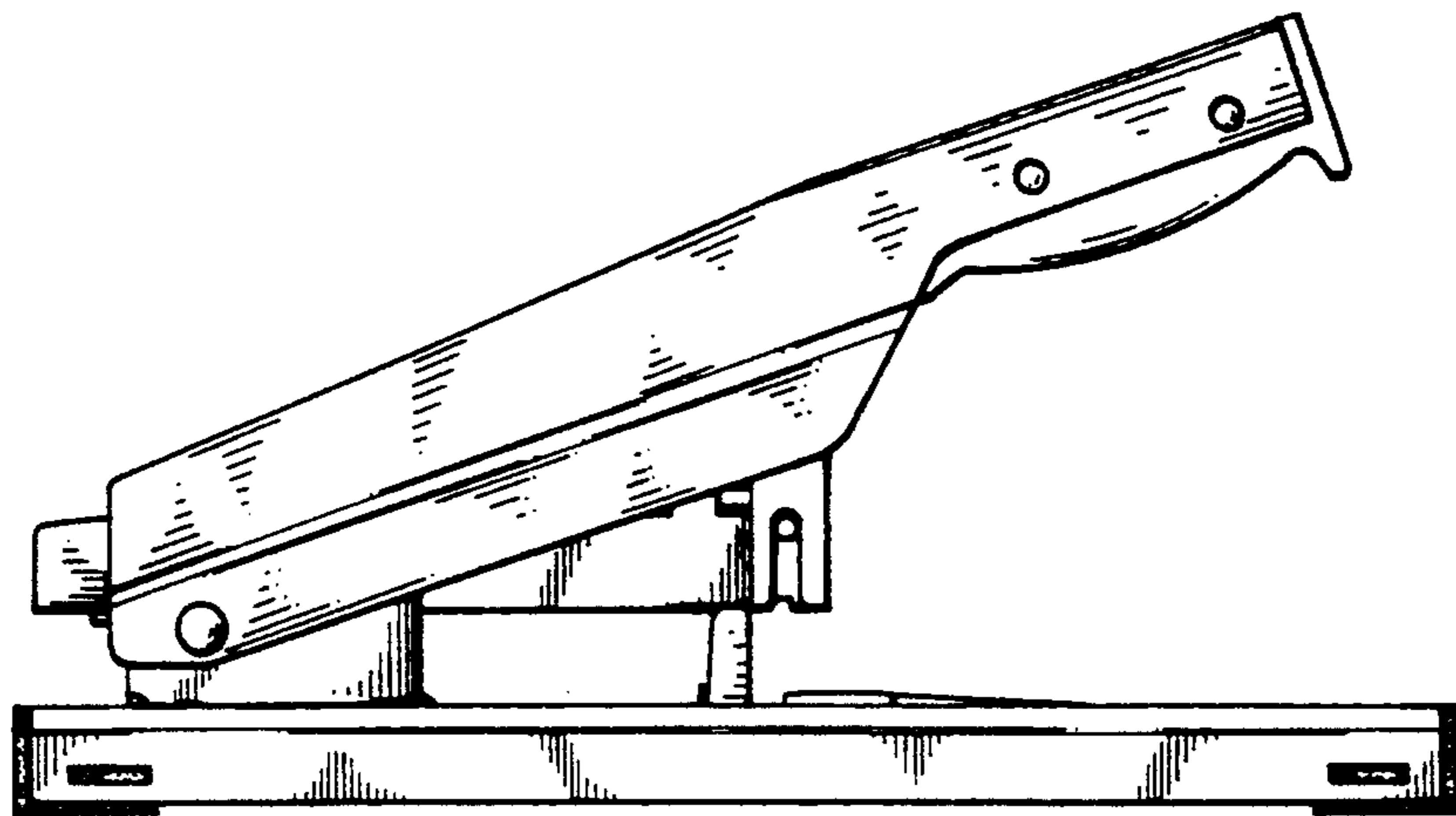


FIG. 2

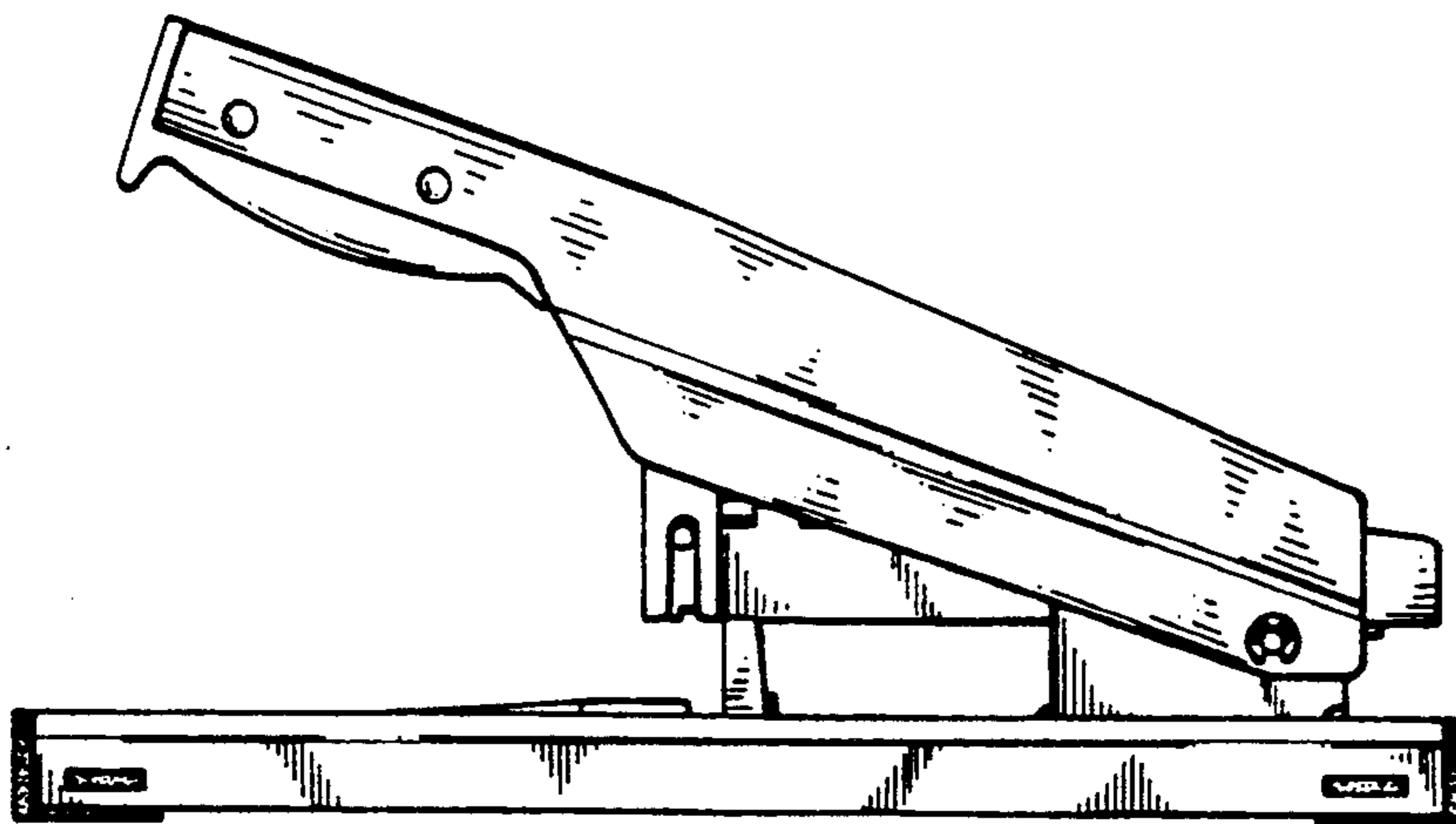


FIG. 3

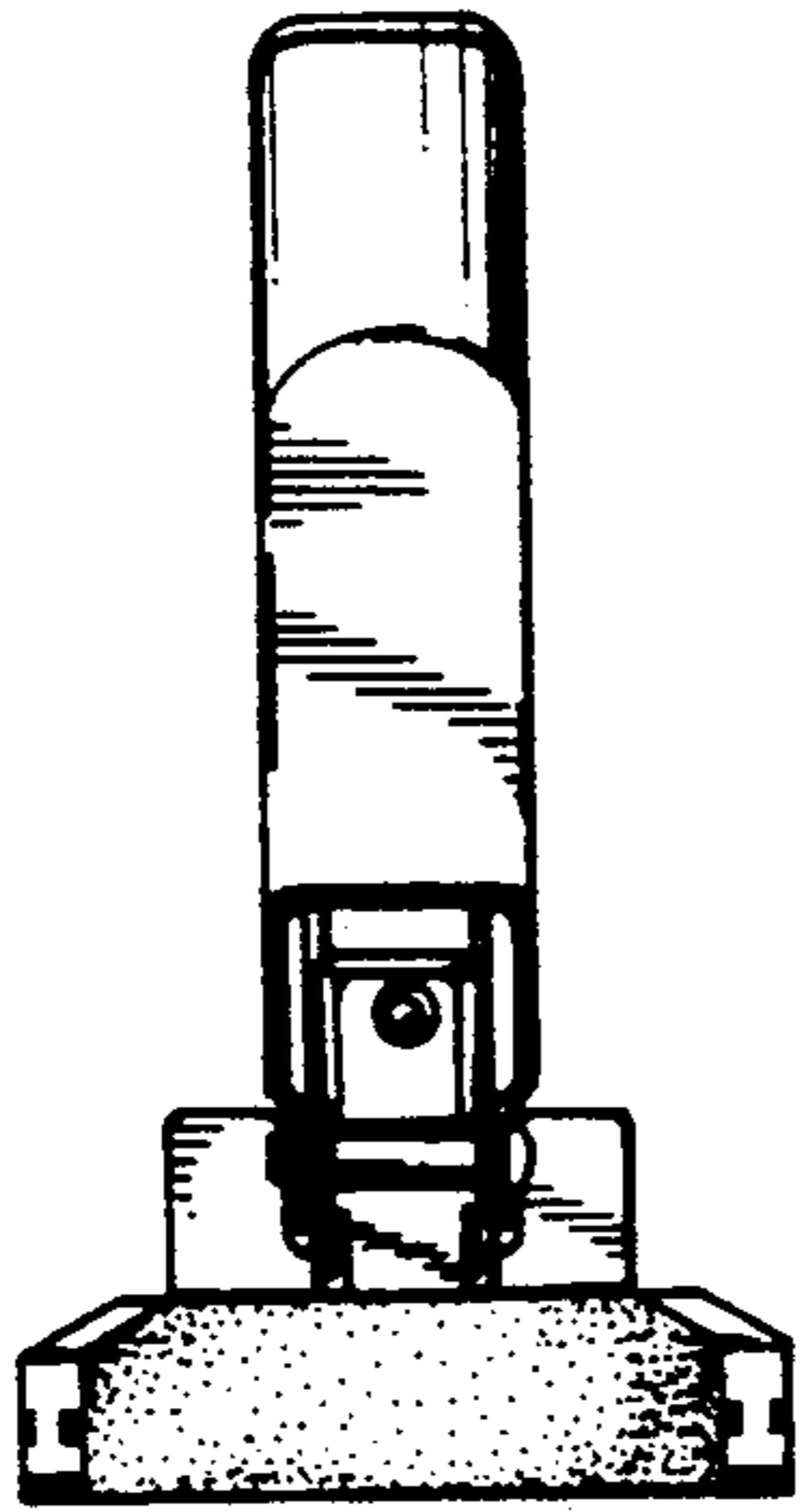


FIG. 4

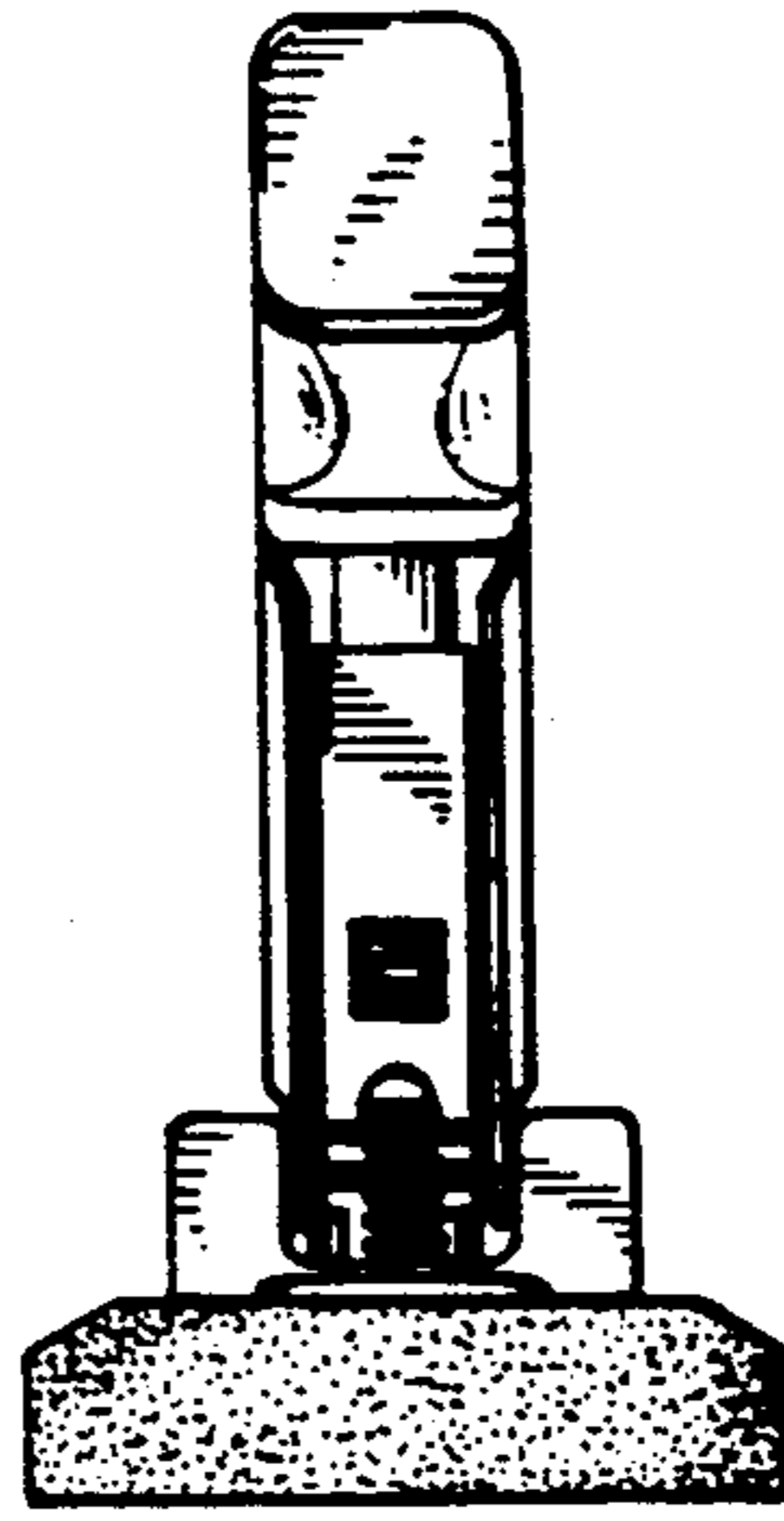


FIG. 5

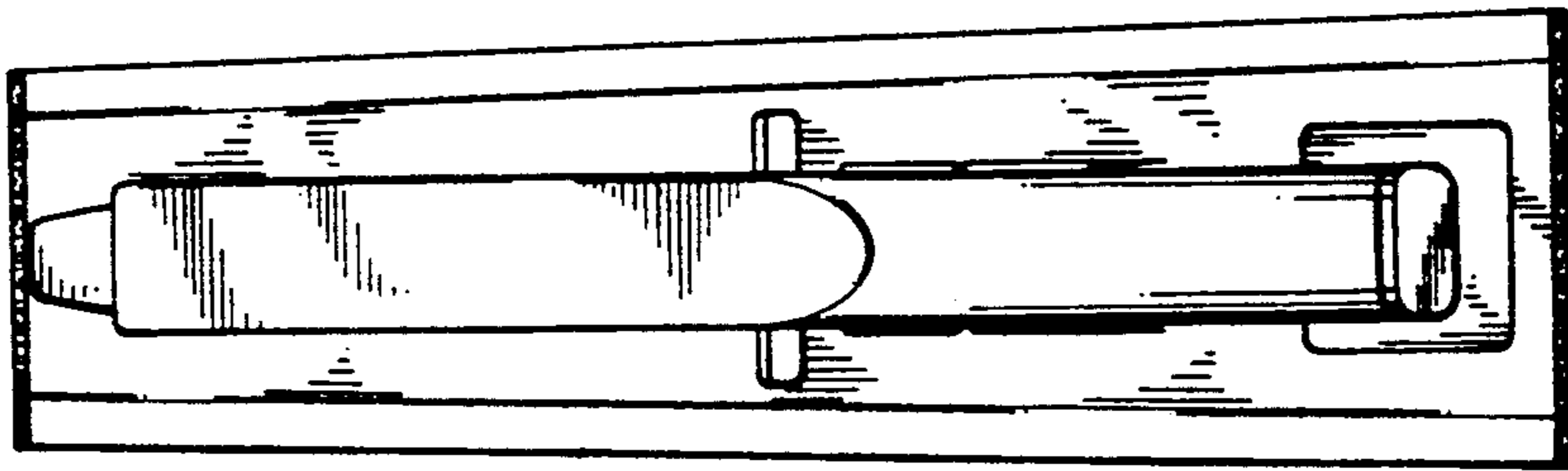


FIG. 6

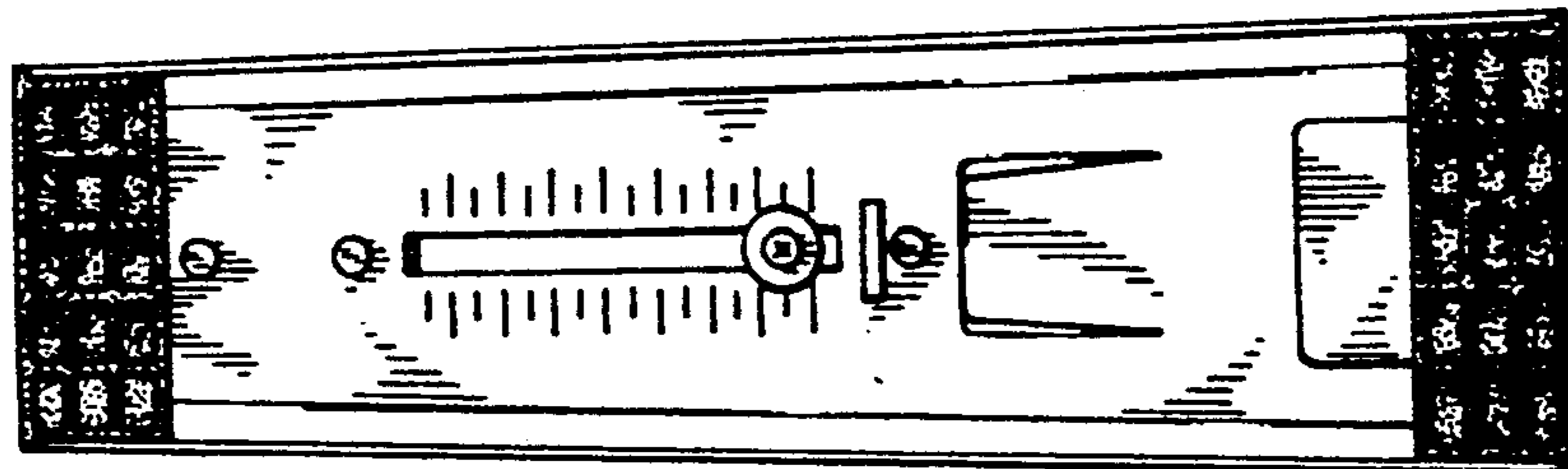


FIG. 7