



US00D329789S

United States Patent [19]

[11] Patent Number: **Des. 329,789**

Bartlett et al.

[45] Date of Patent: **** Sep. 29, 1992**

[54] **CAN OPENER**

[57] **CLAIM**

[75] Inventors: **Laurence Bartlett, Colchester; John Cowan, Richmond, both of Vt.**

The ornamental design for a can opener, as shown and described.

[73] Assignee: **Edlund Company, Inc., Burlington, Vt.**

DESCRIPTION

[**] Term: **14 Years**

FIG. 1 is a perspective view of a can opener showing my new design;
FIG. 2 is a fragmentary left side elevational view of a can opener portion;
FIG. 3 is a fragmentary right side elevational view of the can opener portion;
FIG. 4 is a fragmentary bottom plan view of the can opener portion;
FIG. 5 is a fragmentary top plan view of the can opener portion;
FIG. 6 is a fragmentary front elevational view of the can opener portion;
FIG. 7 is a fragmentary rear elevational view of the can opener portion;
FIG. 8 is a left side elevational view of the base portion;
FIG. 9 is a bottom plan view of the base portion;
FIG. 10 is a rear elevational view of the base portion;
FIG. 11 is a right side elevational view of the base portion;
FIG. 12 is a top plan view of the base portion; and,
FIG. 13 is a front elevational view of the base portion.
The can opener portion and base portion are shown separately for ease of illustration.

[21] Appl. No.: **557,484**

[22] Filed: **Jul. 23, 1990**

[52] U.S. Cl. **D8/33**

[58] Field of Search **D8/33, 37; 30/416; 81/3.25, 3.31, 3.32, 3.27, 3.36, 3.37, 3.39**

[56] **References Cited**

U.S. PATENT DOCUMENTS

D. 295.944	5/1988	Cooper	D8/33
1,537,110	5/1925	Edlund	30/416
1,618,457	2/1927	McGrath	81/3.32
2,508,106	5/1950	Edlund	30/416

Primary Examiner—Terry A. Pfeffer
Attorney, Agent, or Firm—Collard & Roe

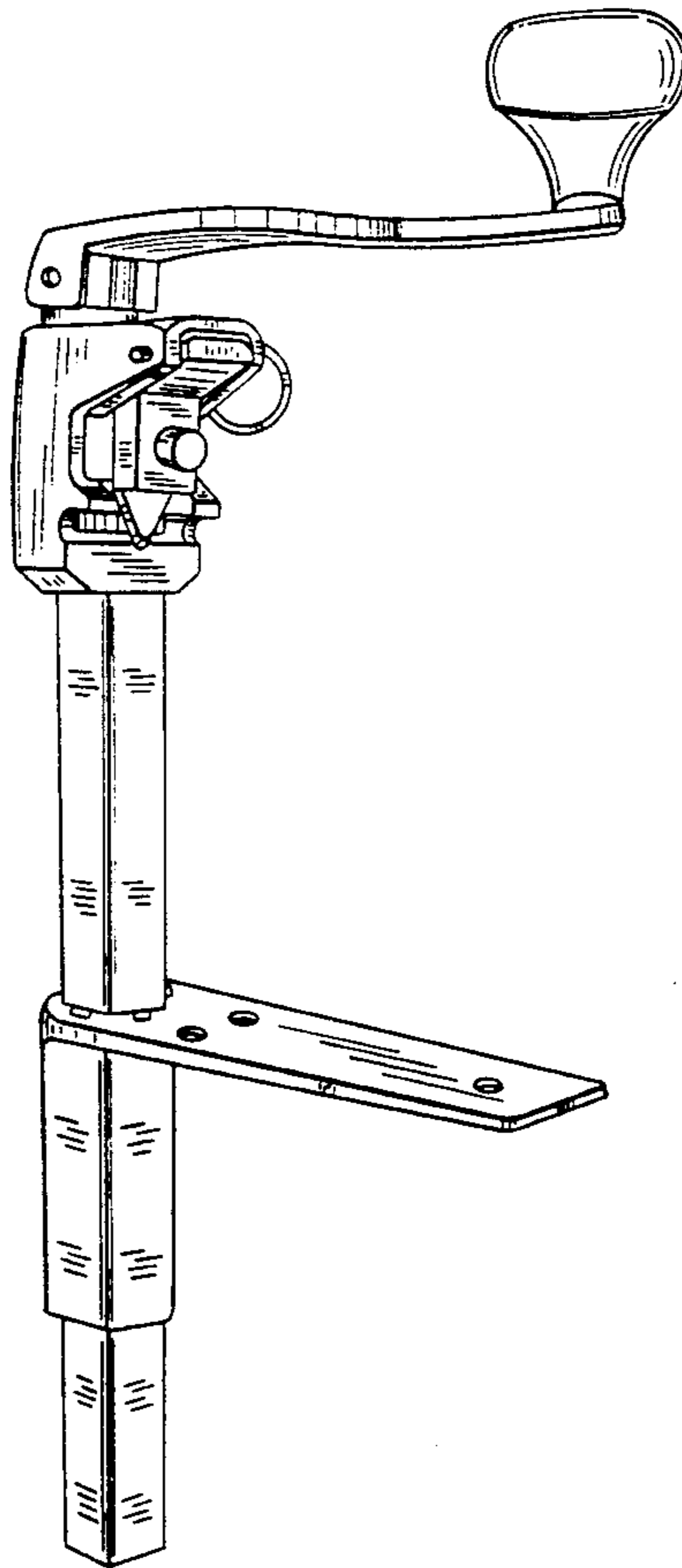
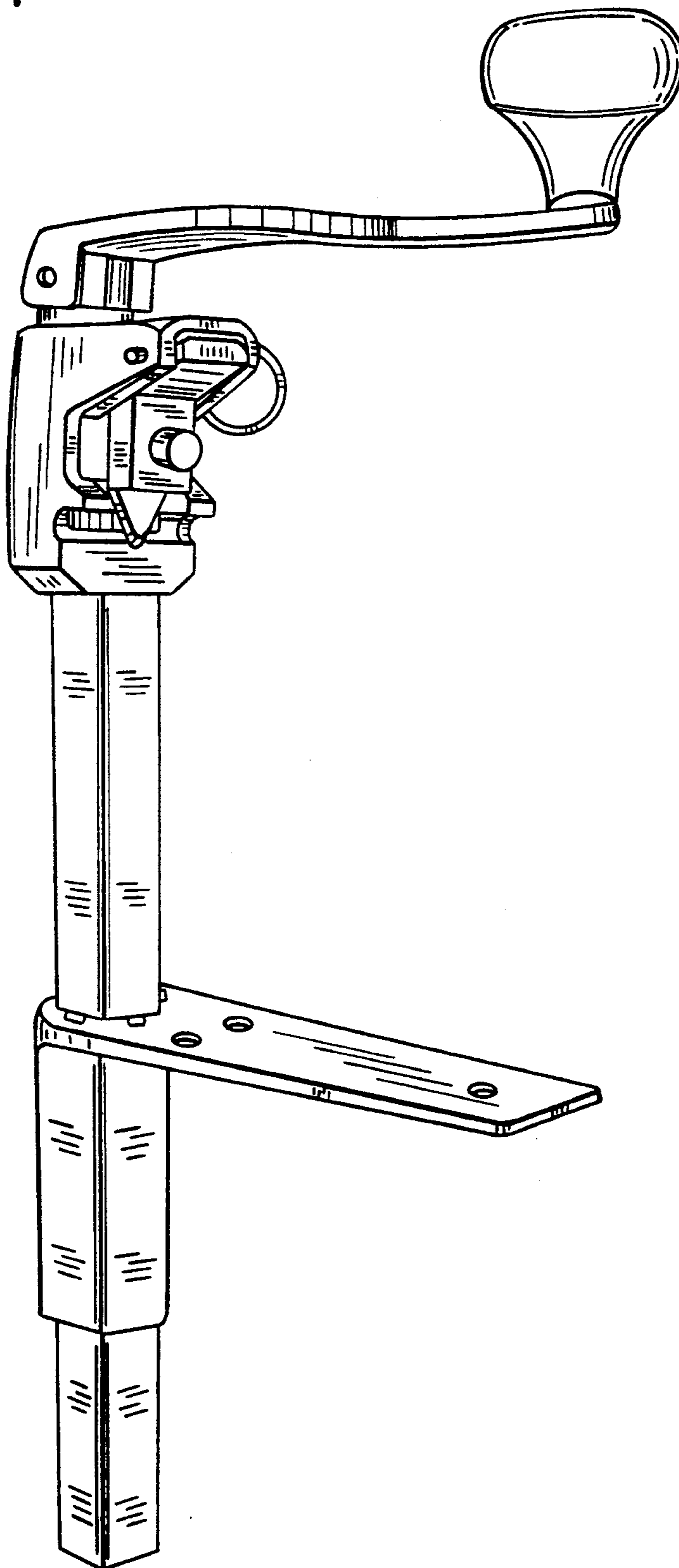


FIG. 1



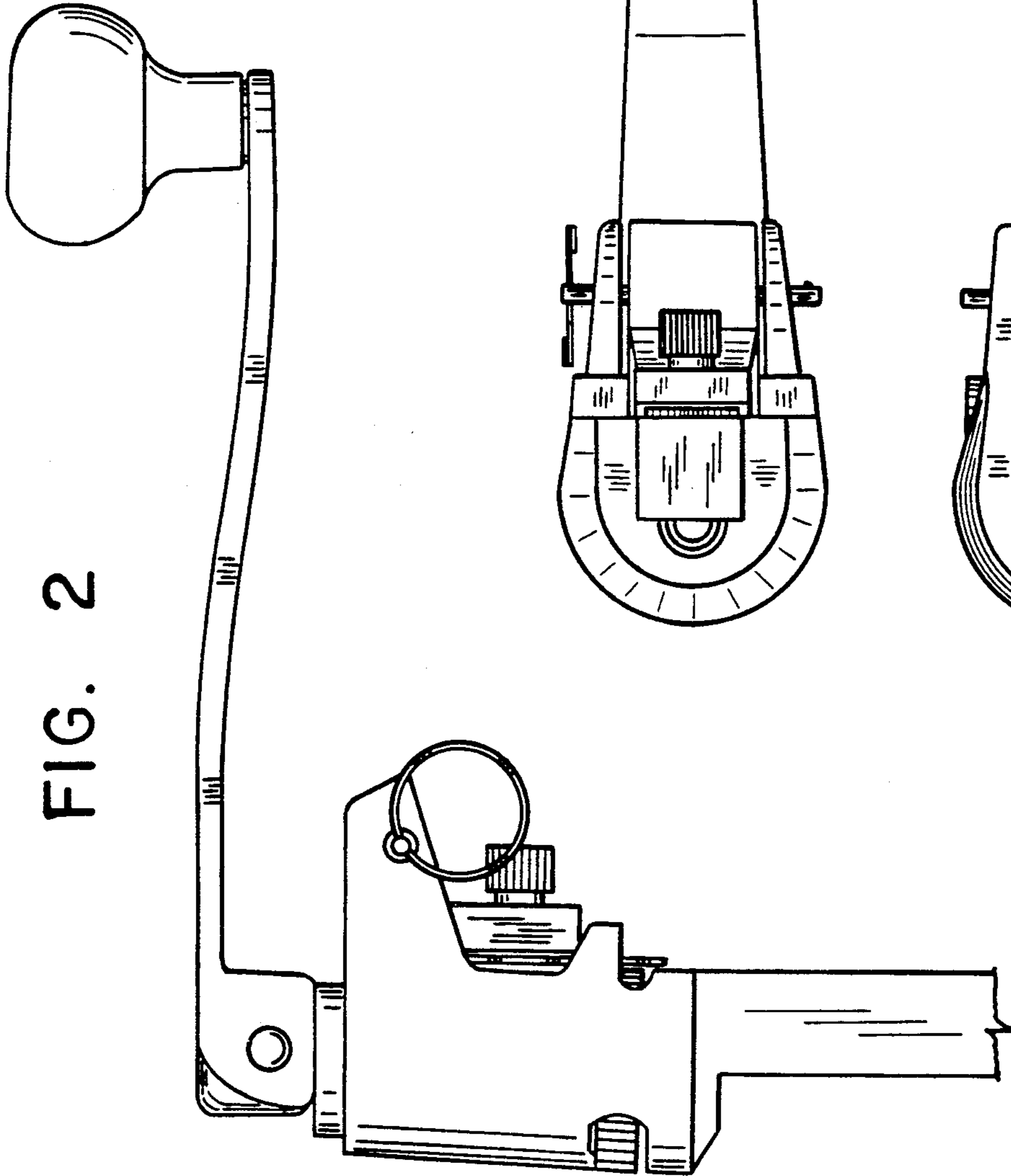


FIG. 2

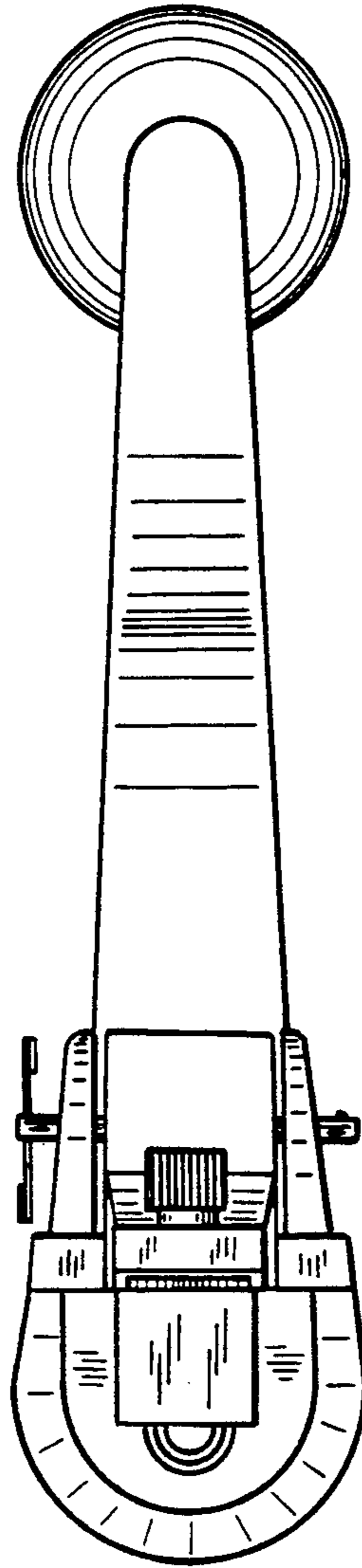


FIG. 4

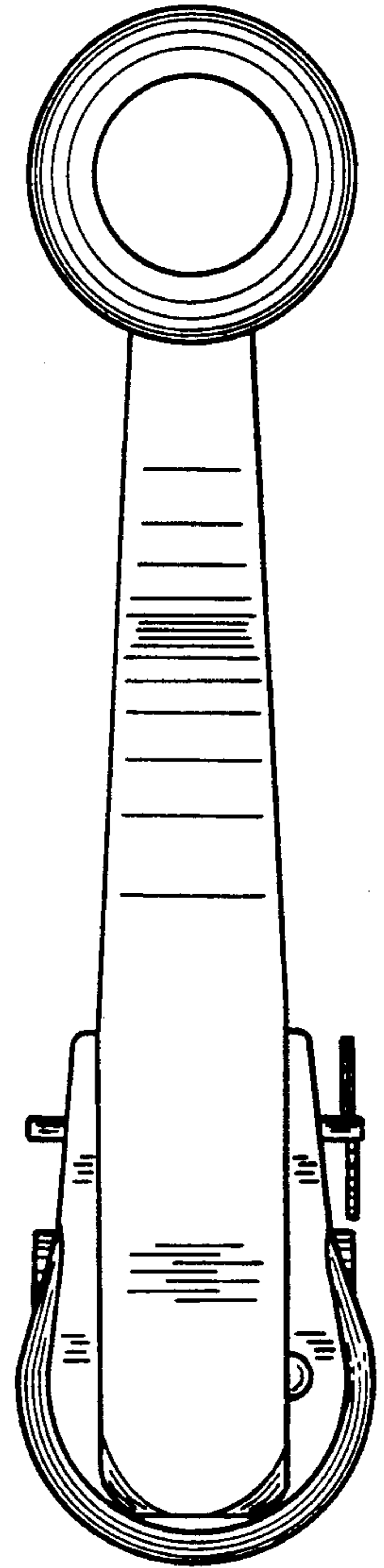


FIG. 5

FIG. 3

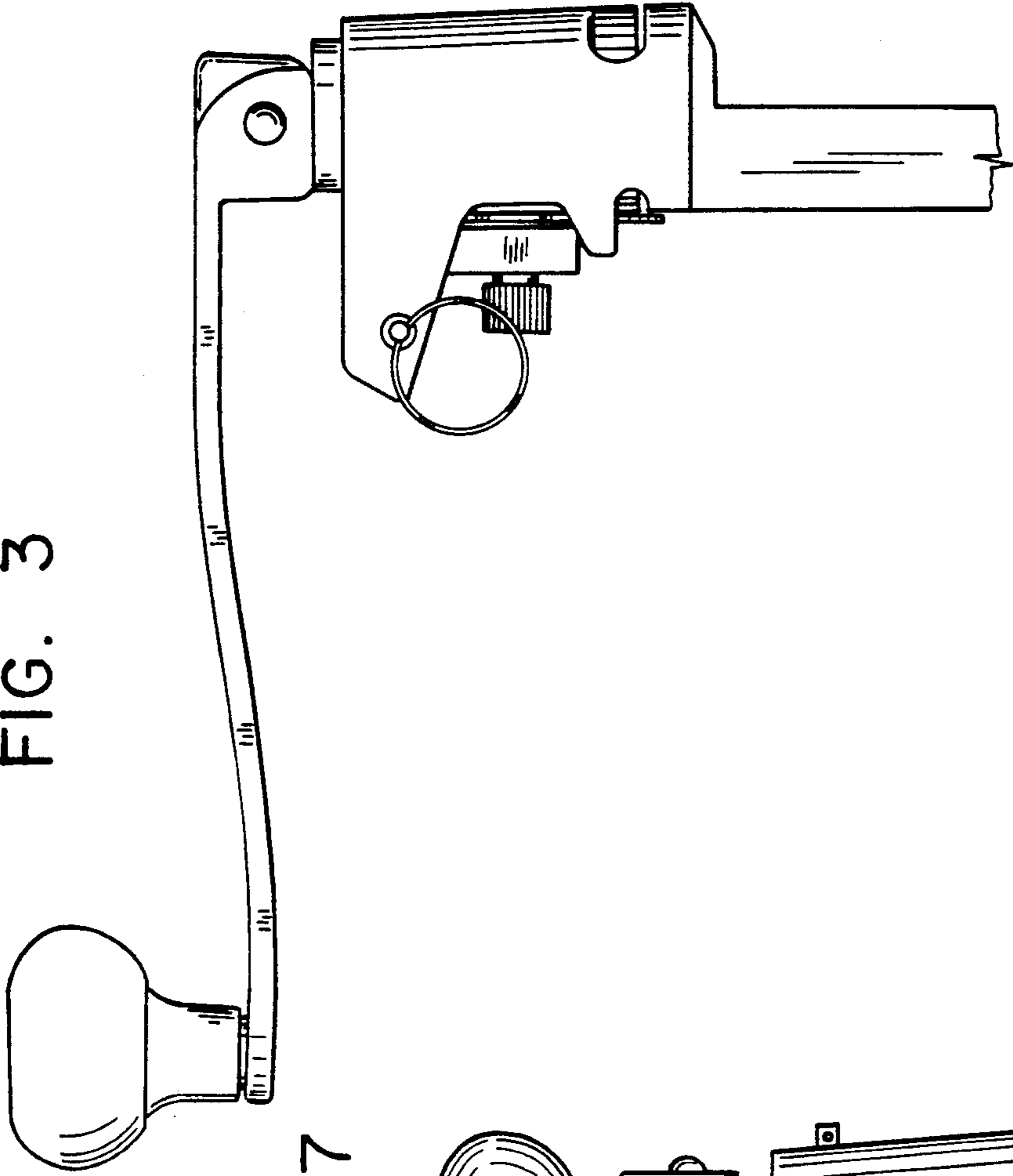


FIG. 7

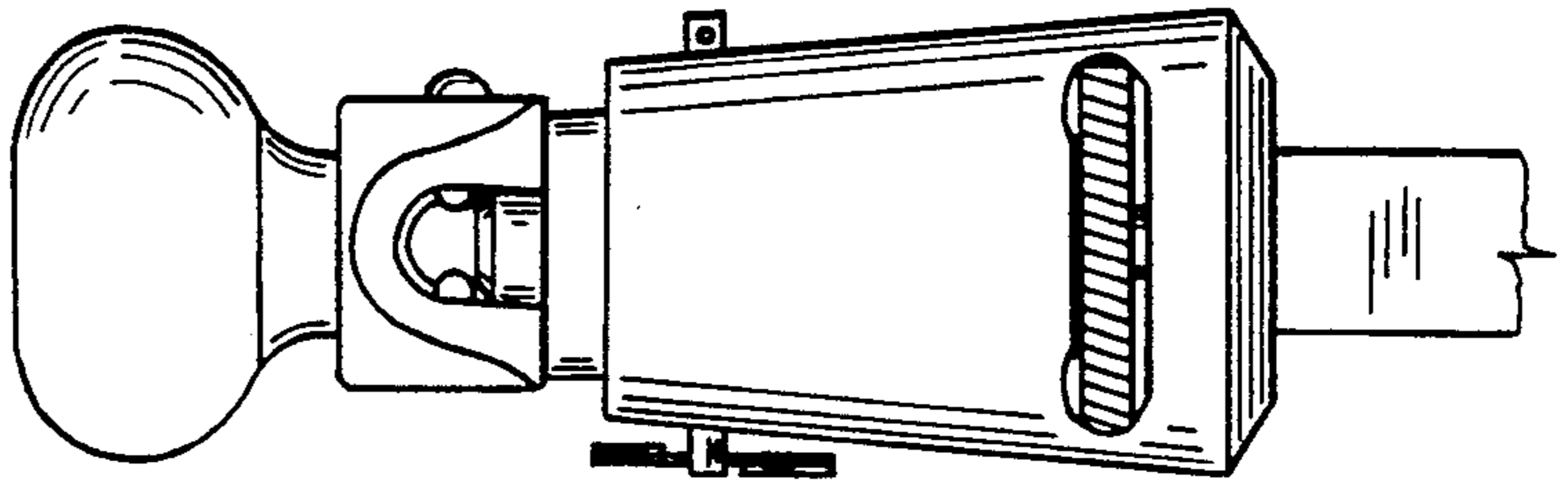


FIG. 6

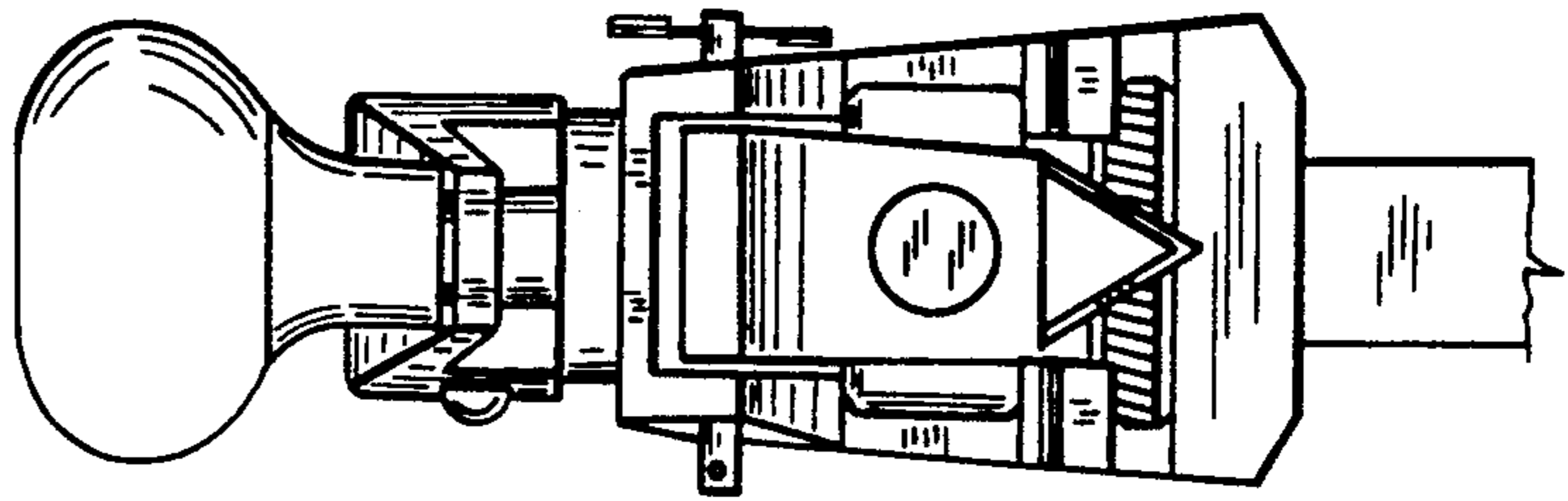


FIG. 8



FIG. 10

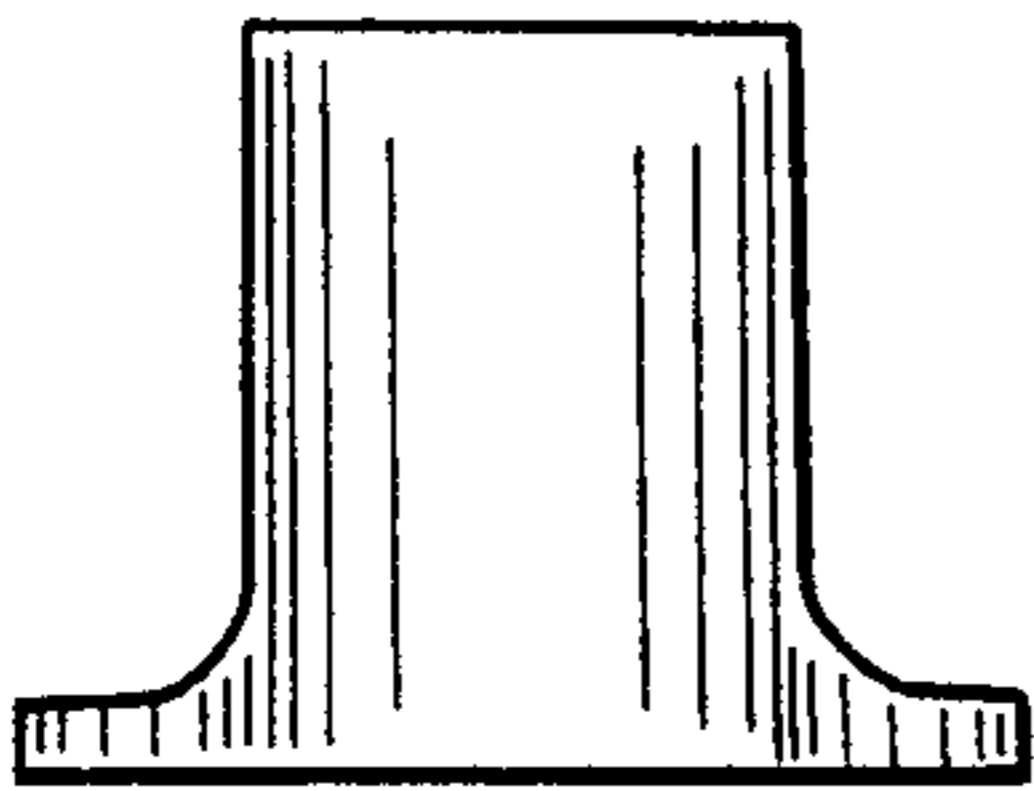


FIG. 9

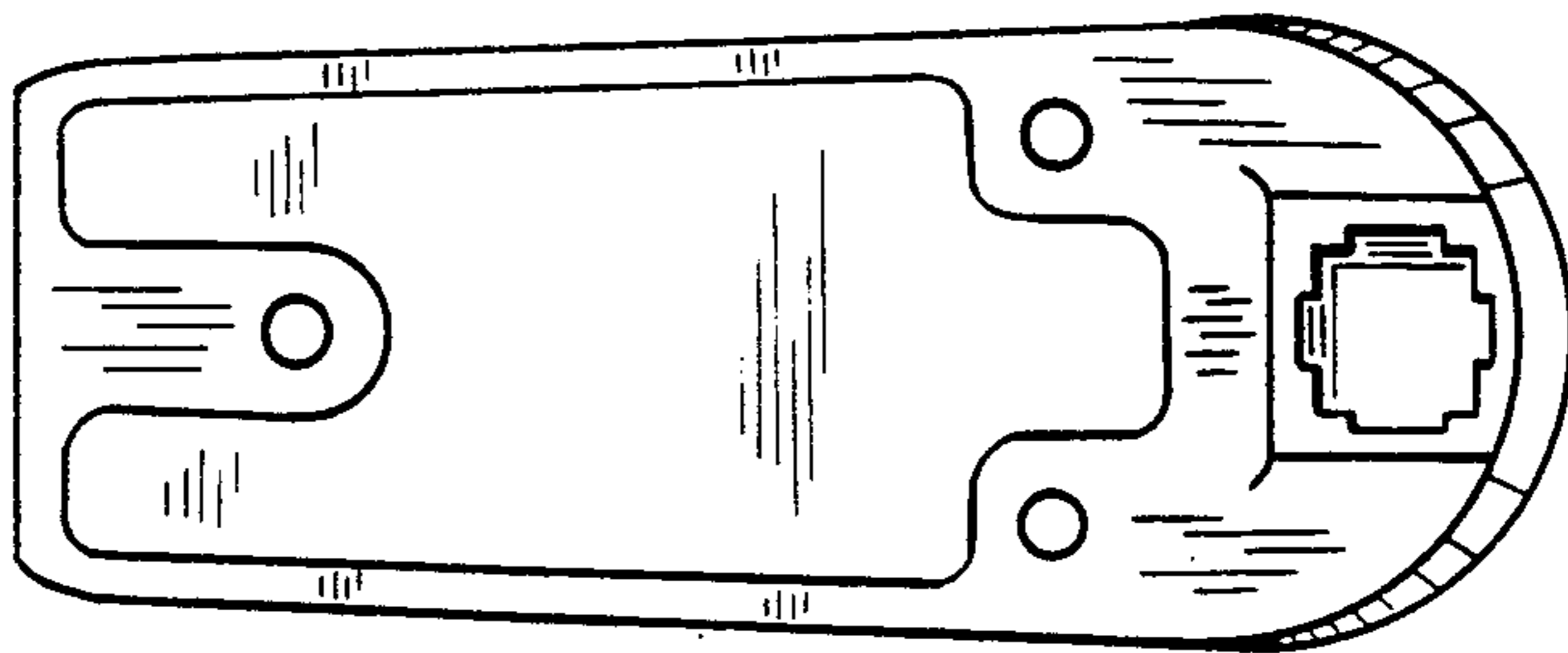


FIG. 11



FIG. 12

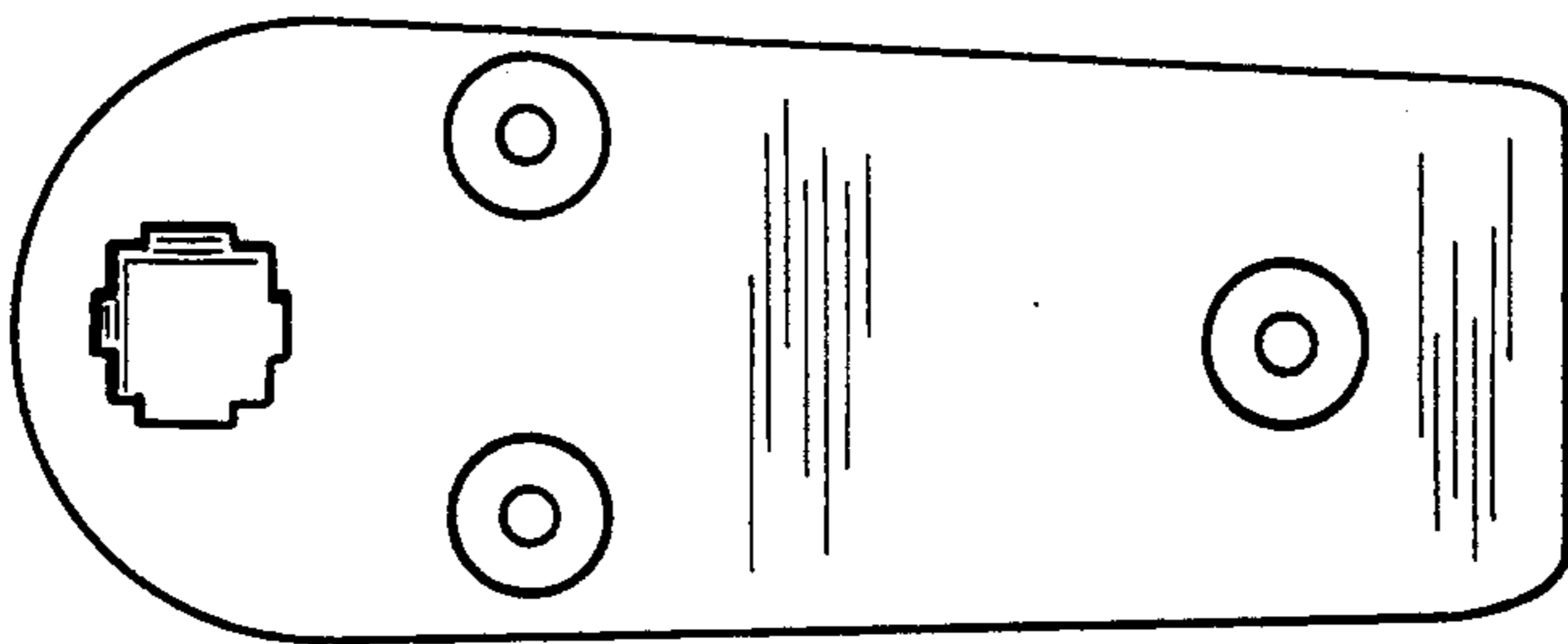


FIG. 13

