



US00D329787S

United States Patent [19]

[11] Patent Number: Des. 329,787

Connolly et al.

[45] Date of Patent: ** Sep. 29, 1992

[54] TAMPING TOOL FOR A
CHIPPER/SHREDDER

Assistant Examiner—Philip Hyder
Attorney, Agent, or Firm—Hayes & Reinsmith

[75] Inventors: Kevin J. Connolly, Ballston Lake;
James M. D'Aleo, Clifton Park, both
of N.Y.; Clifford J. Griffith,
Clemmons, N.C.

[57] CLAIM

The ornamental design for a tamping tool for a chip-
per/shredder, as shown and described.

[73] Assignee: Garden Way Incorporated, Troy,
N.Y.

DESCRIPTION

[**] Term: 14 Years

FIG. 1 is a perspective view of a tamping tool for a
chipper/shredder showing our new design;

[21] Appl. No.: 555,141

FIG. 2 is a top plan view thereof, shown fragmented for
ease of illustration;

[22] Filed: Jul. 17, 1990

FIG. 3 is a right side elevational view thereof, the left
side being a mirror image;

[52] U.S. Cl. D8/14

FIG. 4 is a bottom plan view thereof;

[58] Field of Search D8/14, 47, 75; 81/488;
241/69.2

FIG. 5 is a front elevational view thereof;

FIG. 6 is a rear elevational view thereof;

FIG. 7 is a perspective view of a second embodiment
thereof;

[56] References Cited

U.S. PATENT DOCUMENTS

D. 321,636 11/1991 Ciciliot D8/75
3,107,711 10/1963 Azmus 241/169.2

FIG. 8 is a top plan view of FIG. 7;

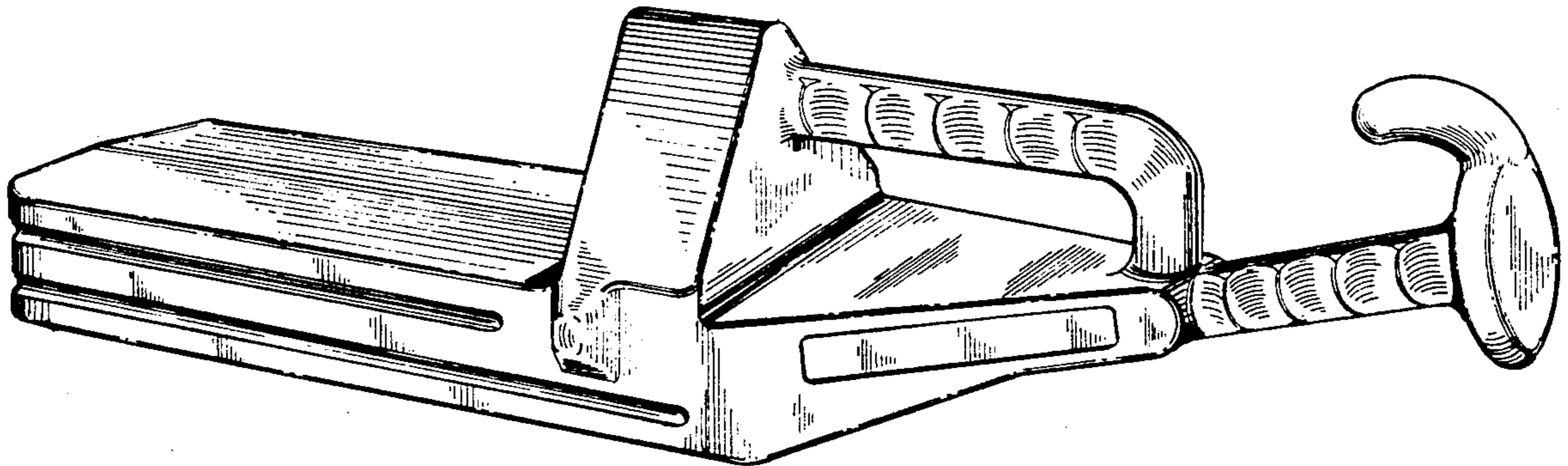
FIG. 9 is a right side elevational view thereof, the left
side being a mirror image;

FIG. 10 is a bottom plan view of FIG. 7;

FIG. 11 is a front elevational view of FIG. 7; and,

FIG. 12 is a rear elevational view of FIG. 7.

Primary Examiner—Bernard Ansher



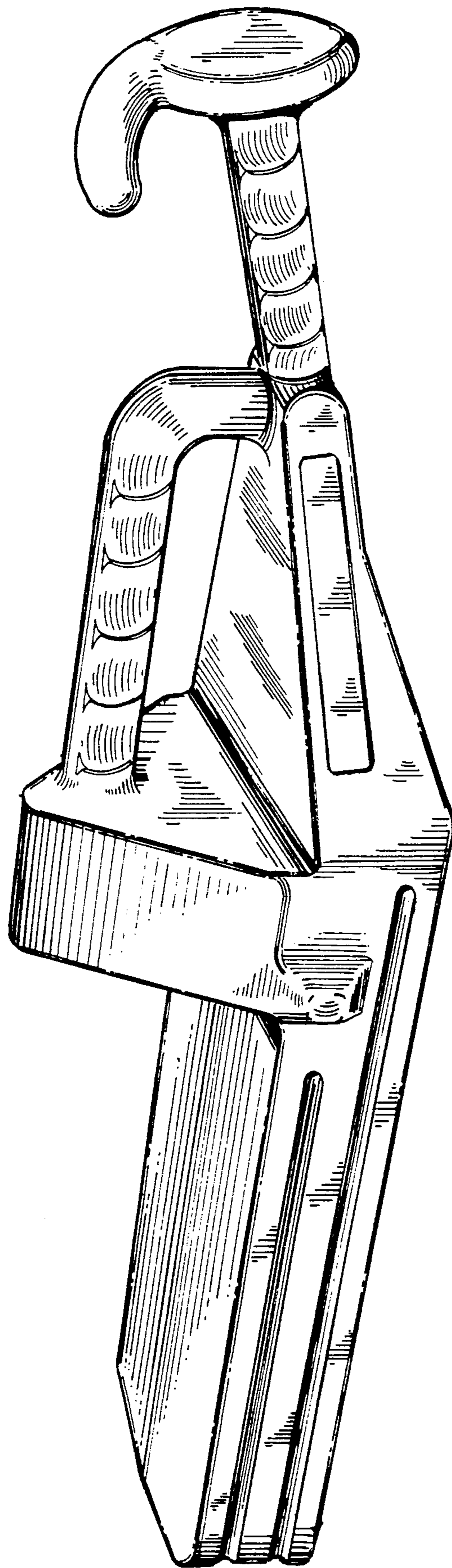
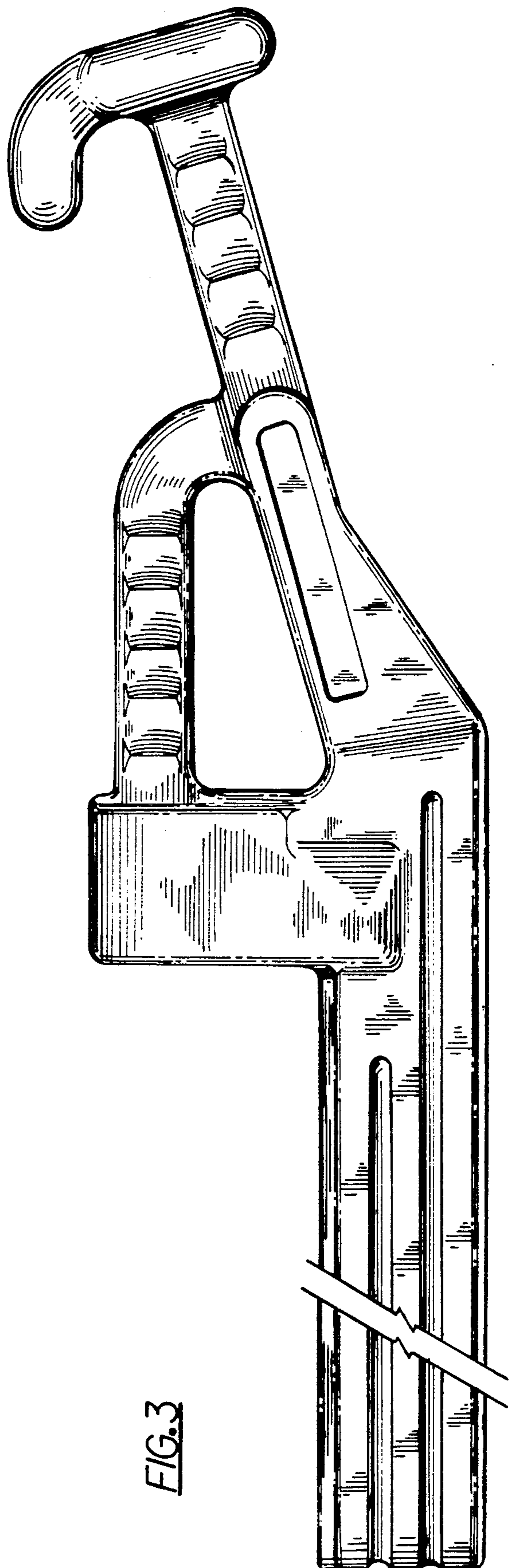
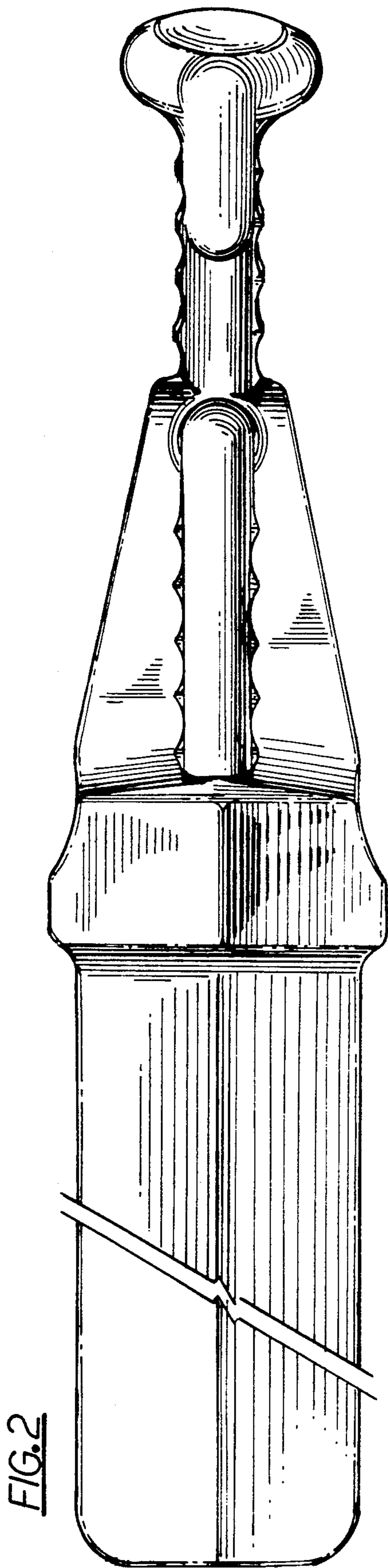
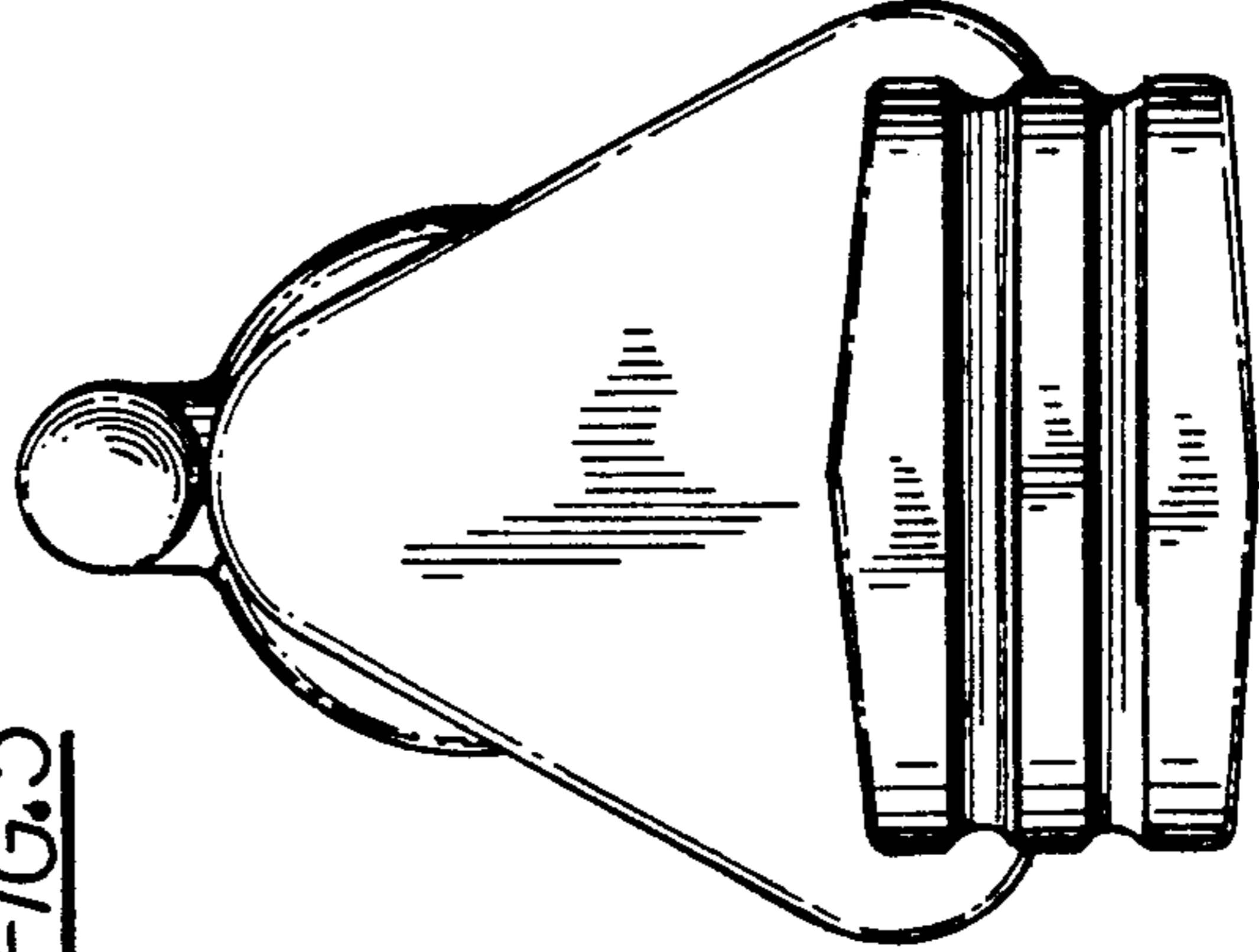
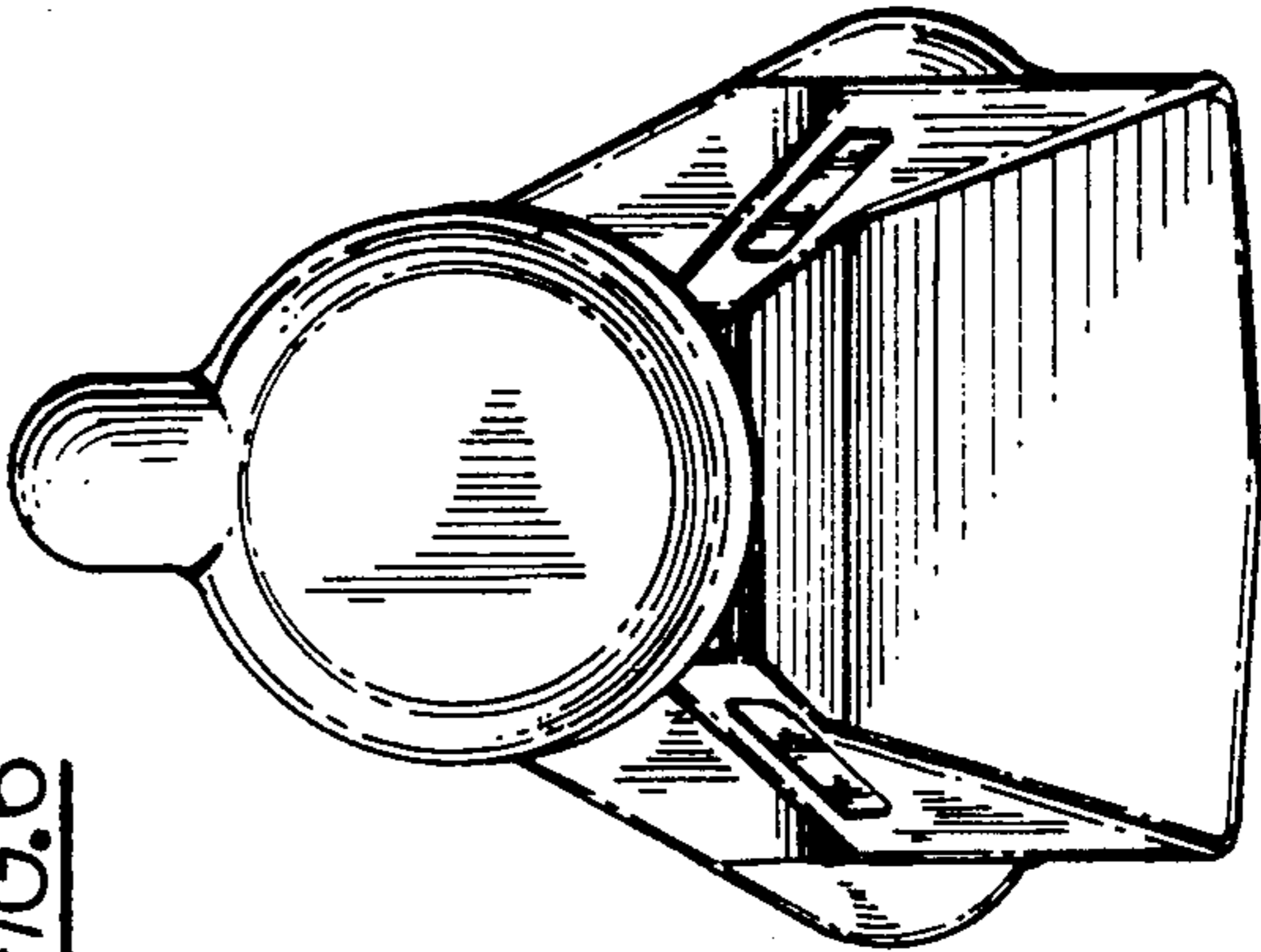
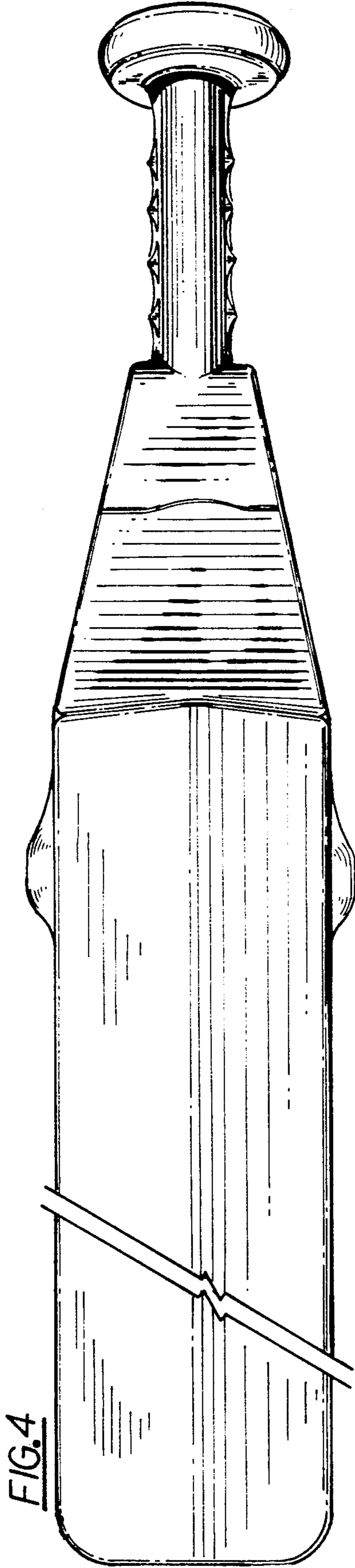


FIG. 1





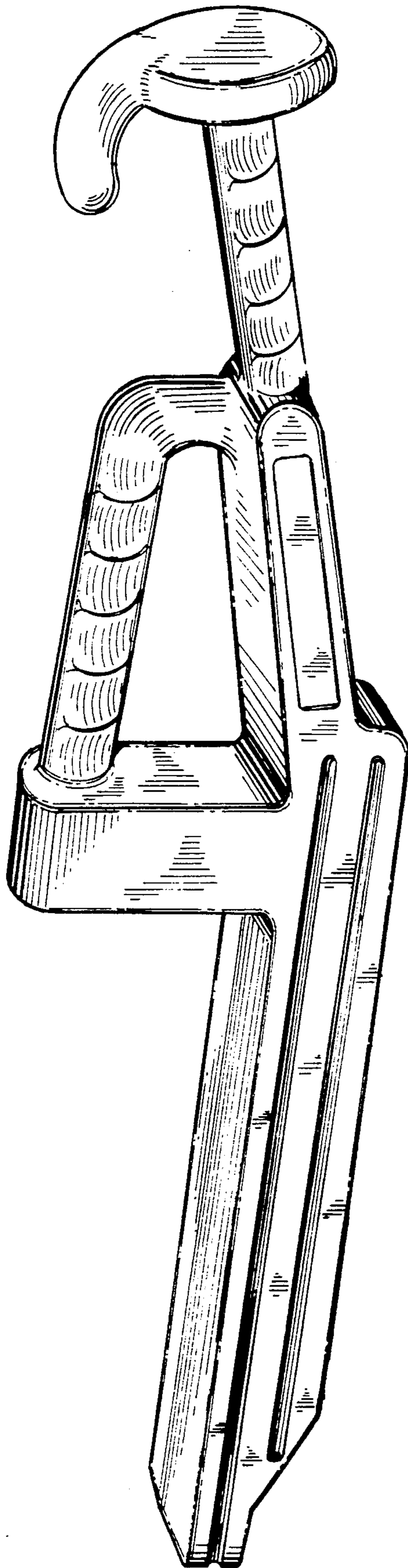


FIG. 7

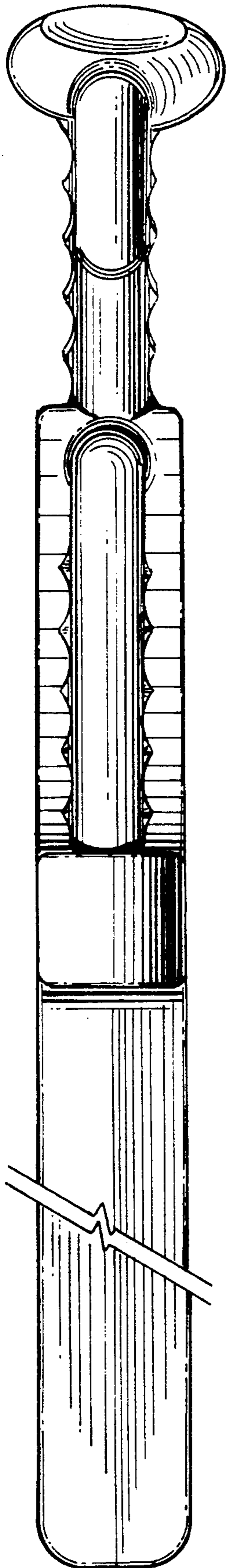


FIG. 8

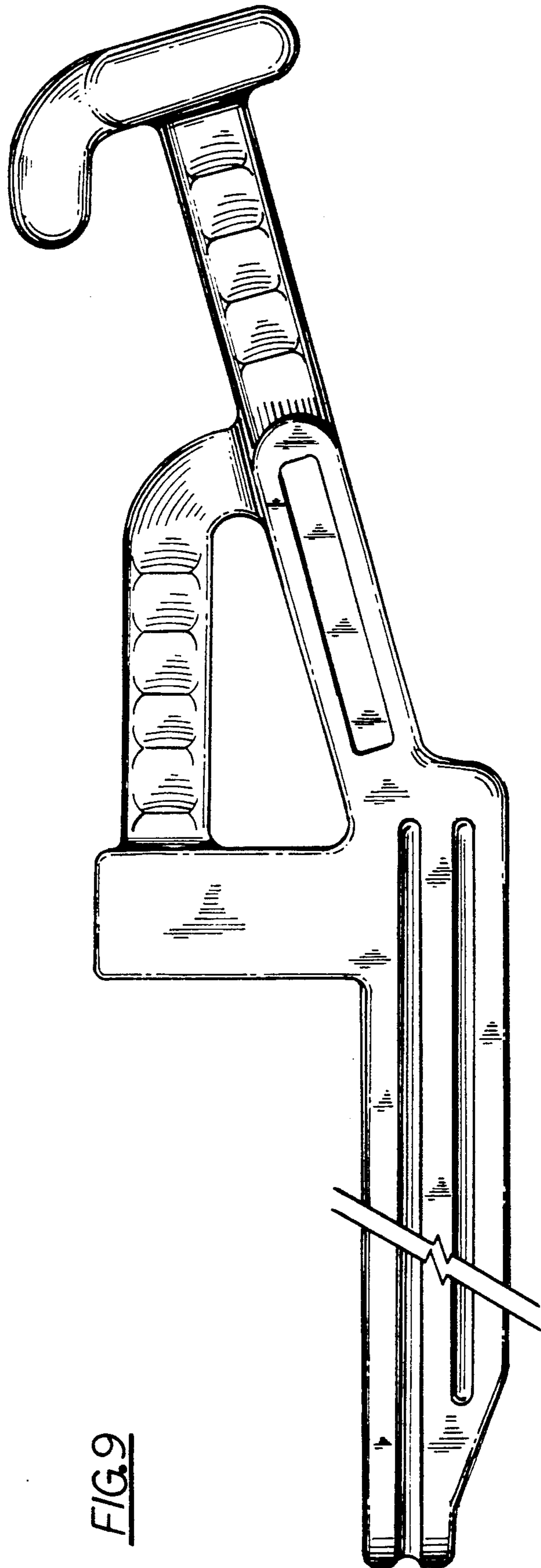


FIG. 9

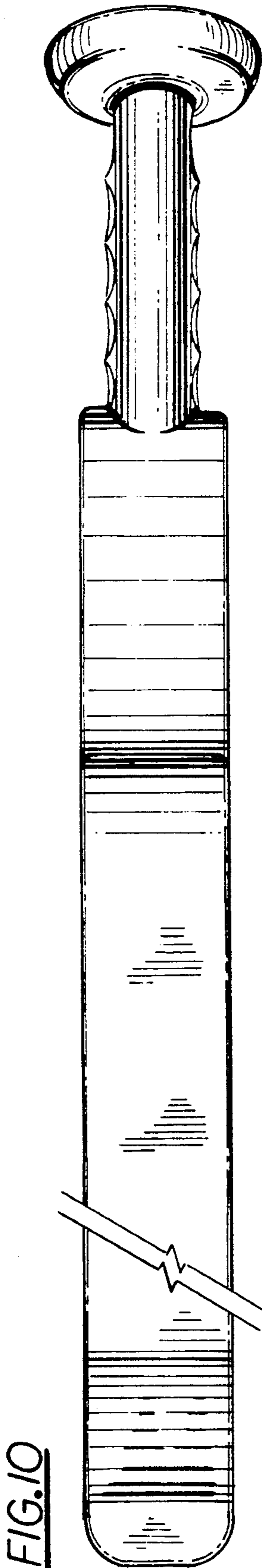


FIG. 12

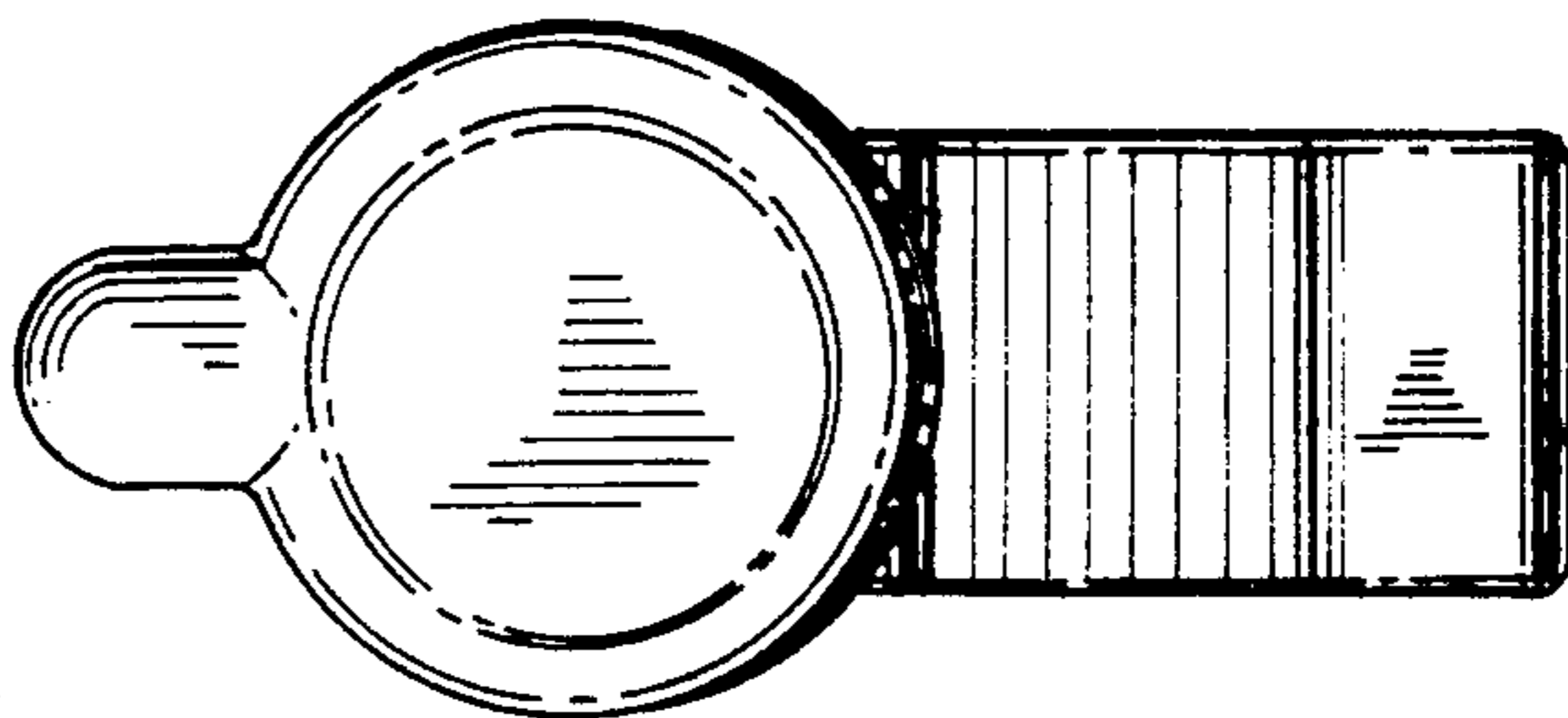


FIG. 11

