



US00D329783S

United States Patent [19]

[11] Patent Number: Des. 329,783

Ancona et al.

[45] Date of Patent: ** Sep. 29, 1992

[54] HOLDER FOR A GRATER OR THE LIKE

[75] Inventors: Bruce Ancona; Jane Ancona, both of New York, N.Y.

[73] Assignee: M. Kamenstein, Inc., White Plains, N.Y.

[**] Term: 14 Years

[21] Appl. No.: 465,001

[22] Filed: Jan. 23, 1990

[52] U.S. Cl. D7/641; D7/637; D99/34

[58] Field of Search D7/387, 586, 678, 554, D7/213, 397, 400, 637, 401.1, 641, 388, 396.1, 601; 206/373, 372, 315.11; 220/4.26, 307; D6/300; D79/34; 248/37.3; 211/70.6

[56] References Cited

U.S. PATENT DOCUMENTS

D. 33,672	5/1900	Weiser	D7/678
D. 186,394	10/1959	Hvale	D7/637
D. 201,145	5/1965	Hall	D7/637
D. 210,566	3/1968	Jay	D7/397

D. 211,043	5/1968	Kay	D7/586
D. 227,313	6/1973	Elsner	D6/300
D. 276,442	11/1984	Holland	D99/34
D. 325,150	4/1992	Ancona et al.	D7/641
3,008,504	11/1961	McAdams	D7/678 X
3,964,602	6/1976	Ashton	D7/641
4,095,608	6/1978	Holmes	D99/34 X

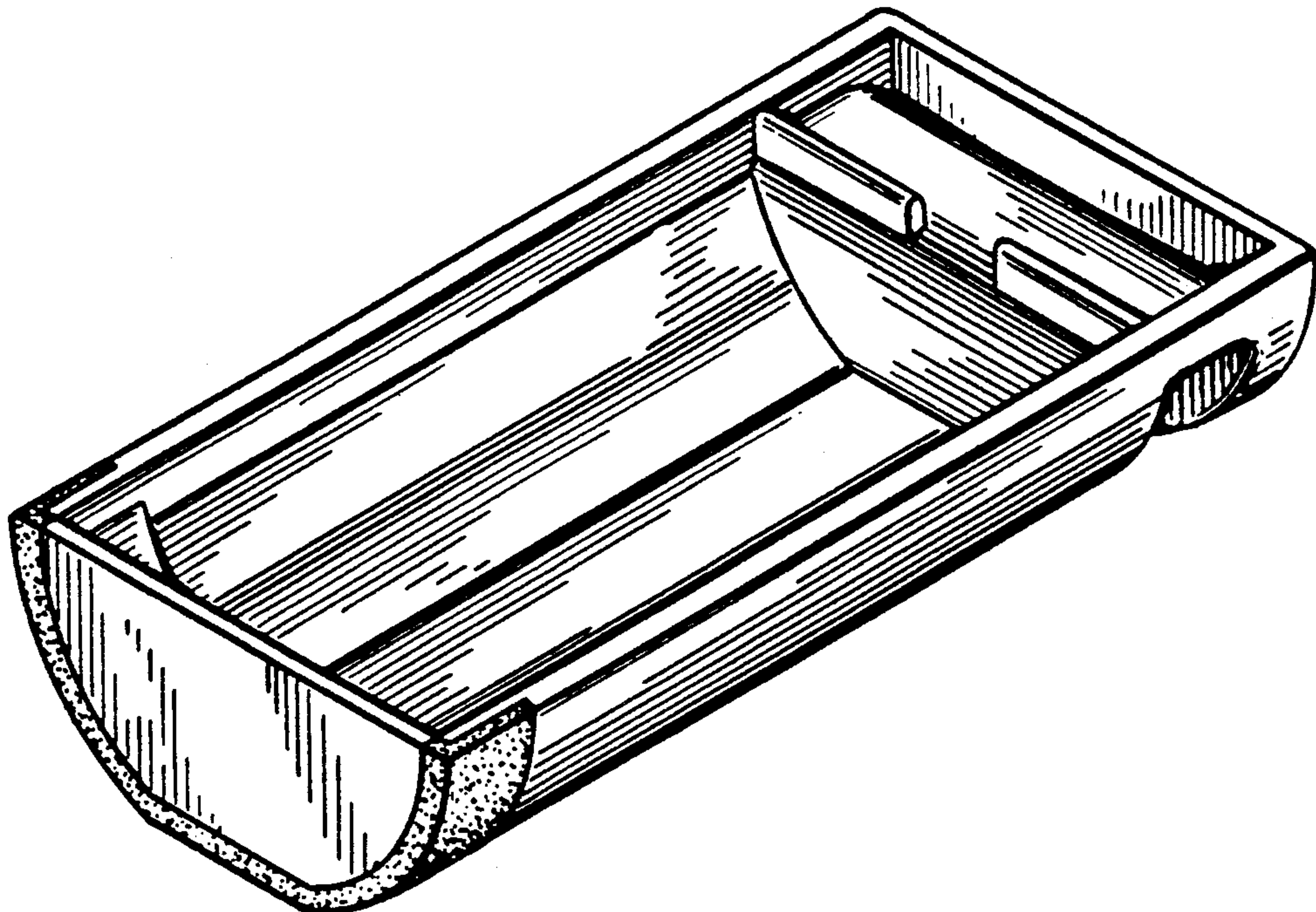
Primary Examiner—Donald P. Walsh
Assistant Examiner—M. N. Pandozzi
Attorney, Agent, or Firm—James A. Drobile; Robert A. Koons, Jr.; Robert E. Rosenthal

[57] CLAIM

The ornamental design for a holder for a grater or the like, as shown and described.

DESCRIPTION

FIG. 1 is a bottom, front, right perspective view of a holder for a grater or the like showing our new design; FIG. 2 is a front elevational view thereof; FIG. 3 is a left side elevational view, the right side elevational view being a mirror image thereof; FIG. 4 is a rear elevational view thereof; FIG. 5 is a top plan view thereof; and, FIG. 6 is a bottom plan view thereof.



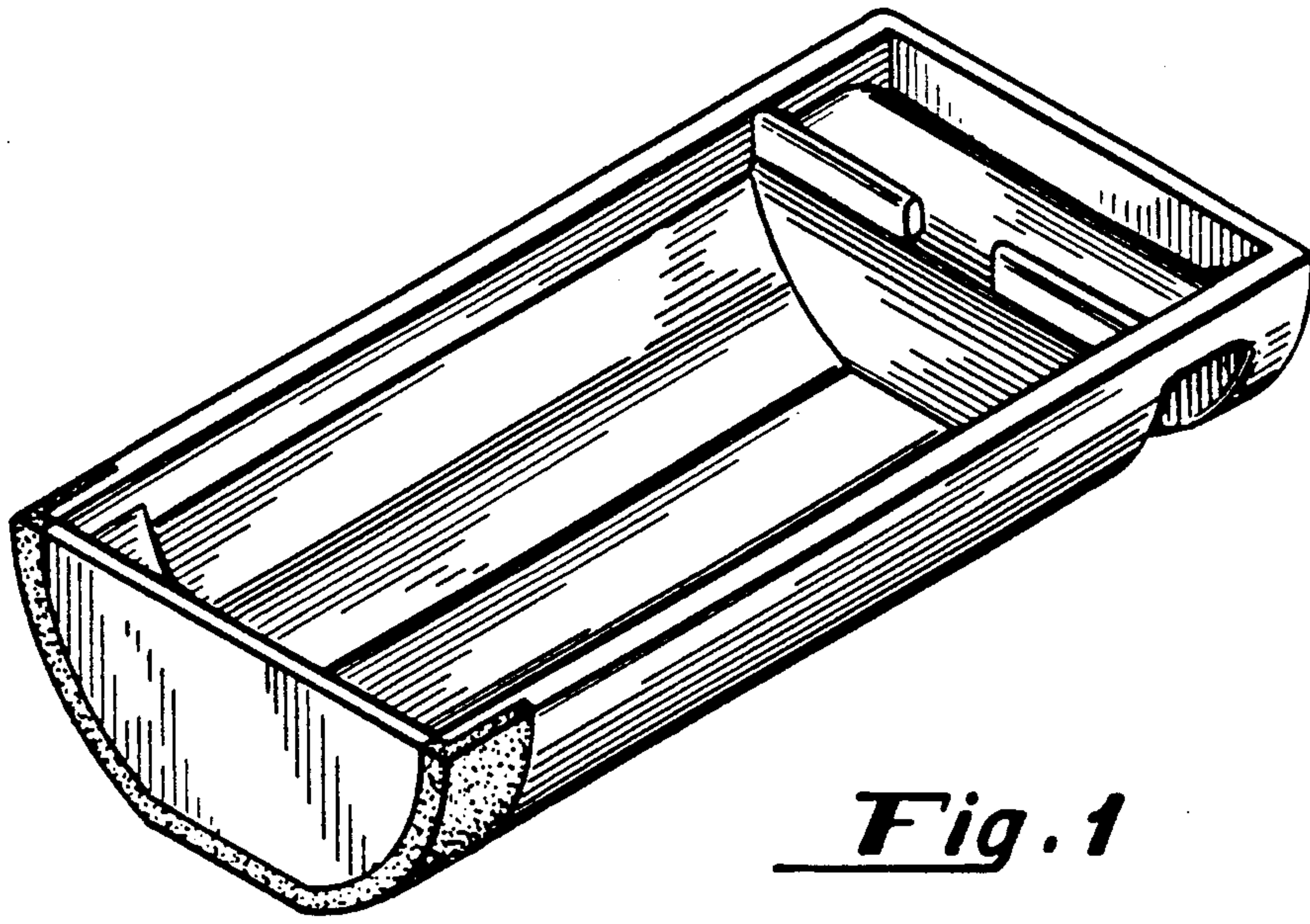


Fig. 1

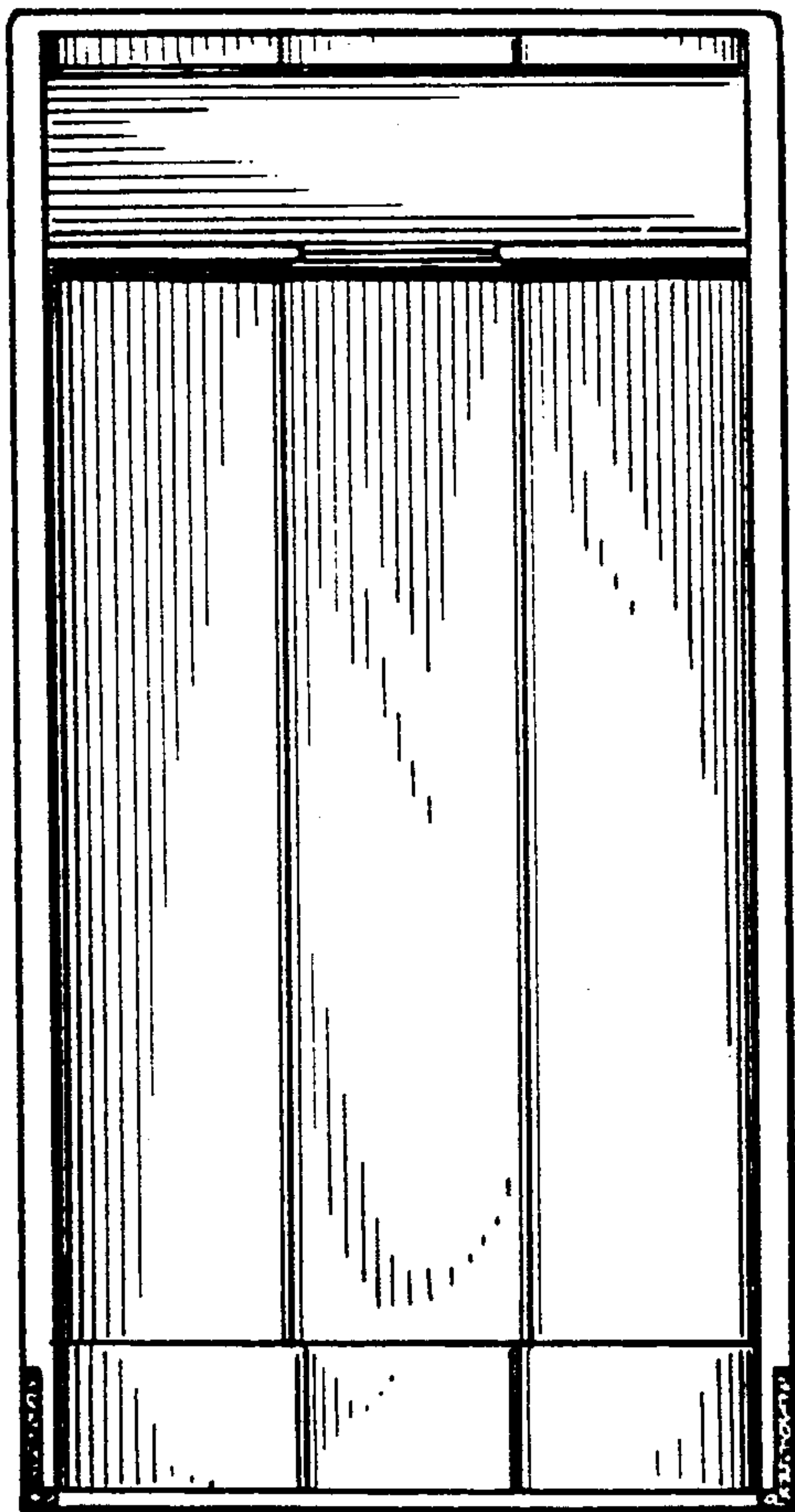


Fig. 2

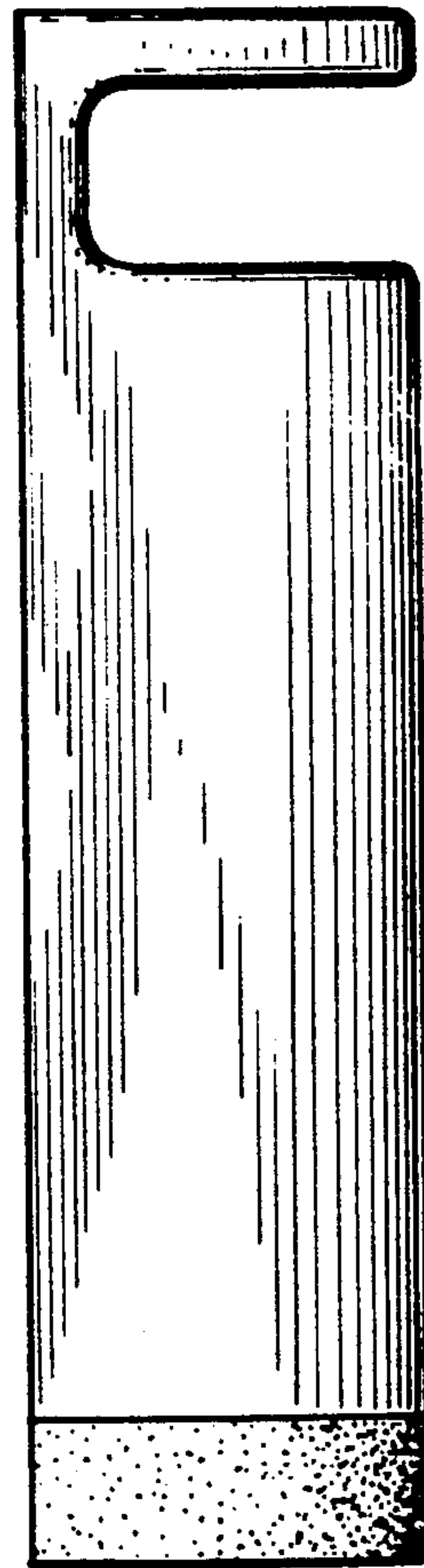


Fig. 3

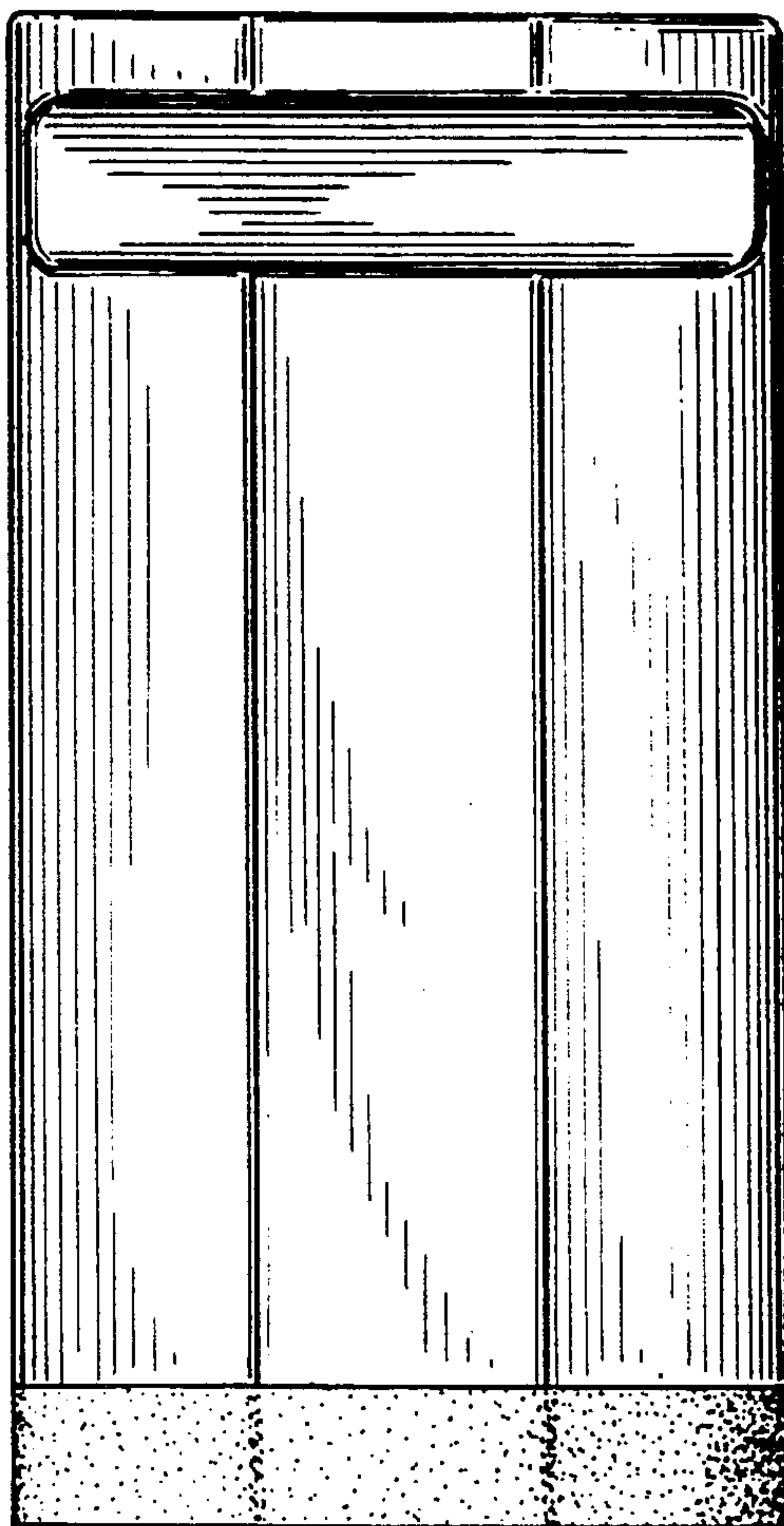


Fig. 4

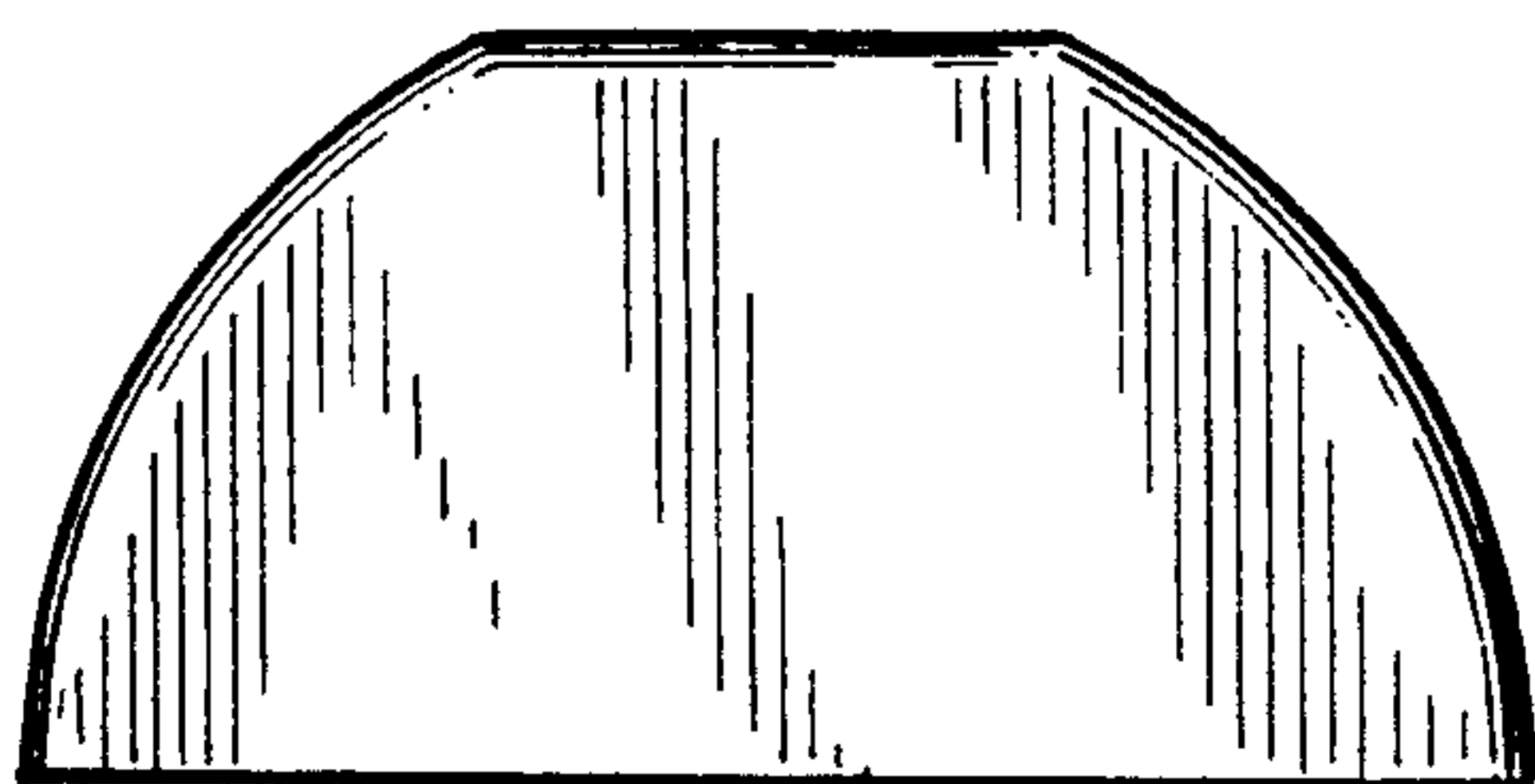


Fig. 5

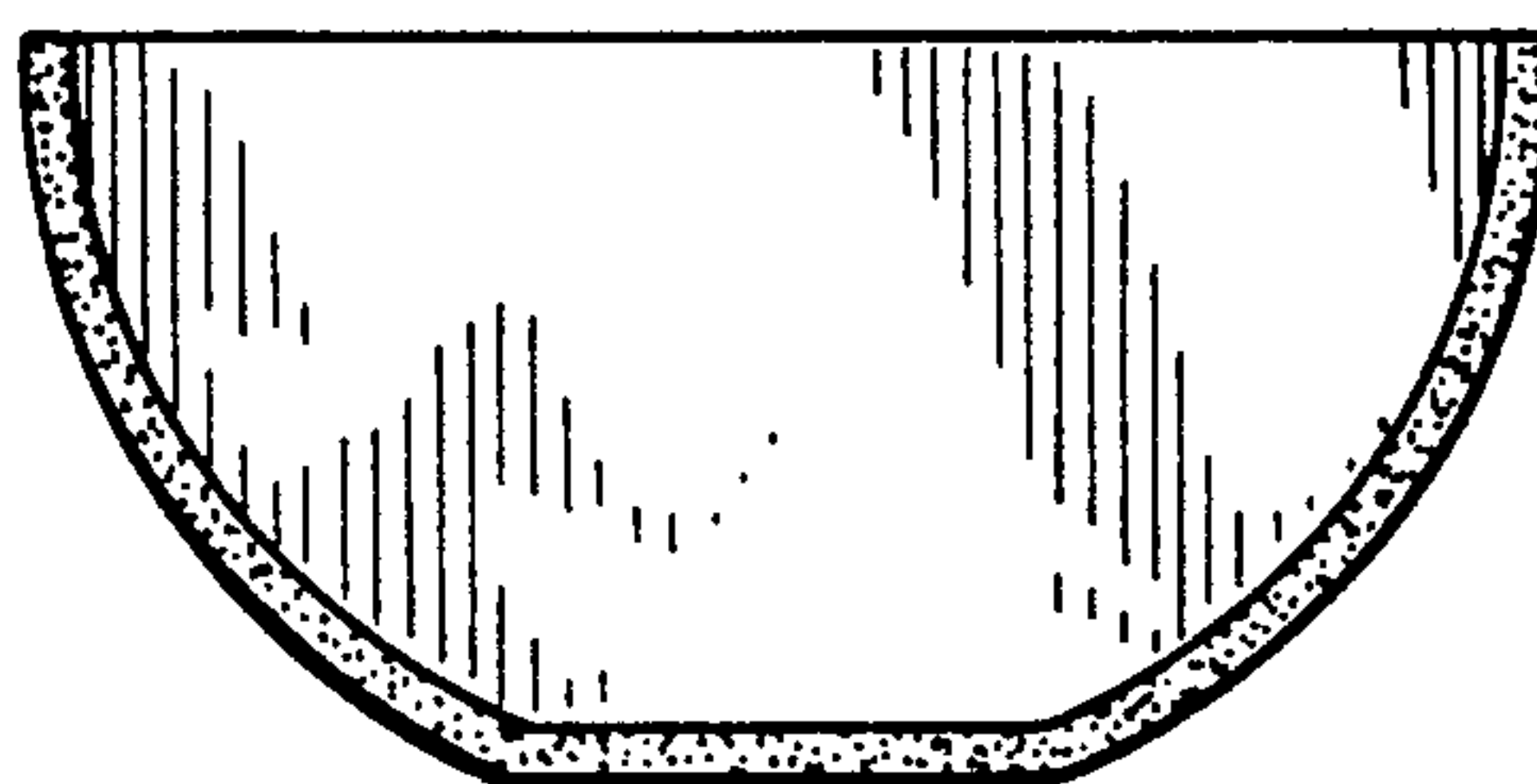


Fig. 6