



US00D329782S

# United States Patent [19]

[11] Patent Number: **Des. 329,782**

Narsutis

[45] Date of Patent: **\*\* Sep. 29, 1992**

[54] **COVERED CONTAINER**

D. 281,754 12/1985 Trombly ..... D7/540  
D. 323,097 1/1992 Picozza ..... D7/542  
3,957,097 5/1976 Swett ..... D7/629 X

[75] Inventor: **JoEllen N. Narsutis**, Oak Park, Ill.

[73] Assignee: **Kraft General Foods, Inc.**,  
Northfield, Ill.

*Primary Examiner*—Terry A. Pfeffer  
*Attorney, Agent, or Firm*—Fitch, Even, Tabin &  
Flannery

[\*\*] Term: **14 Years**

[57] **CLAIM**

[21] Appl. No.: **628,730**

The ornamental design for a covered container, as shown.

[22] Filed: **Dec. 14, 1990**

[52] U.S. Cl. .... **D7/629**

[58] Field of Search ..... D7/538, 540, 542, 612-615,  
D7/629; D9/352, 353, 355, 425; 220/306, 352,  
356

**DESCRIPTION**

FIG. 1 is a perspective view of a covered container showing my new design;  
FIG. 2 is a top plan view thereof;  
FIG. 3 is a side elevational view thereof;  
FIG. 4 is a bottom plan view thereof; and,  
FIG. 5 is a fragmentary cross sectional view taken along line 5—5 of FIG. 2.

[56] **References Cited**

**U.S. PATENT DOCUMENTS**

D. 244,246 5/1977 Dagnen ..... D9/352 X

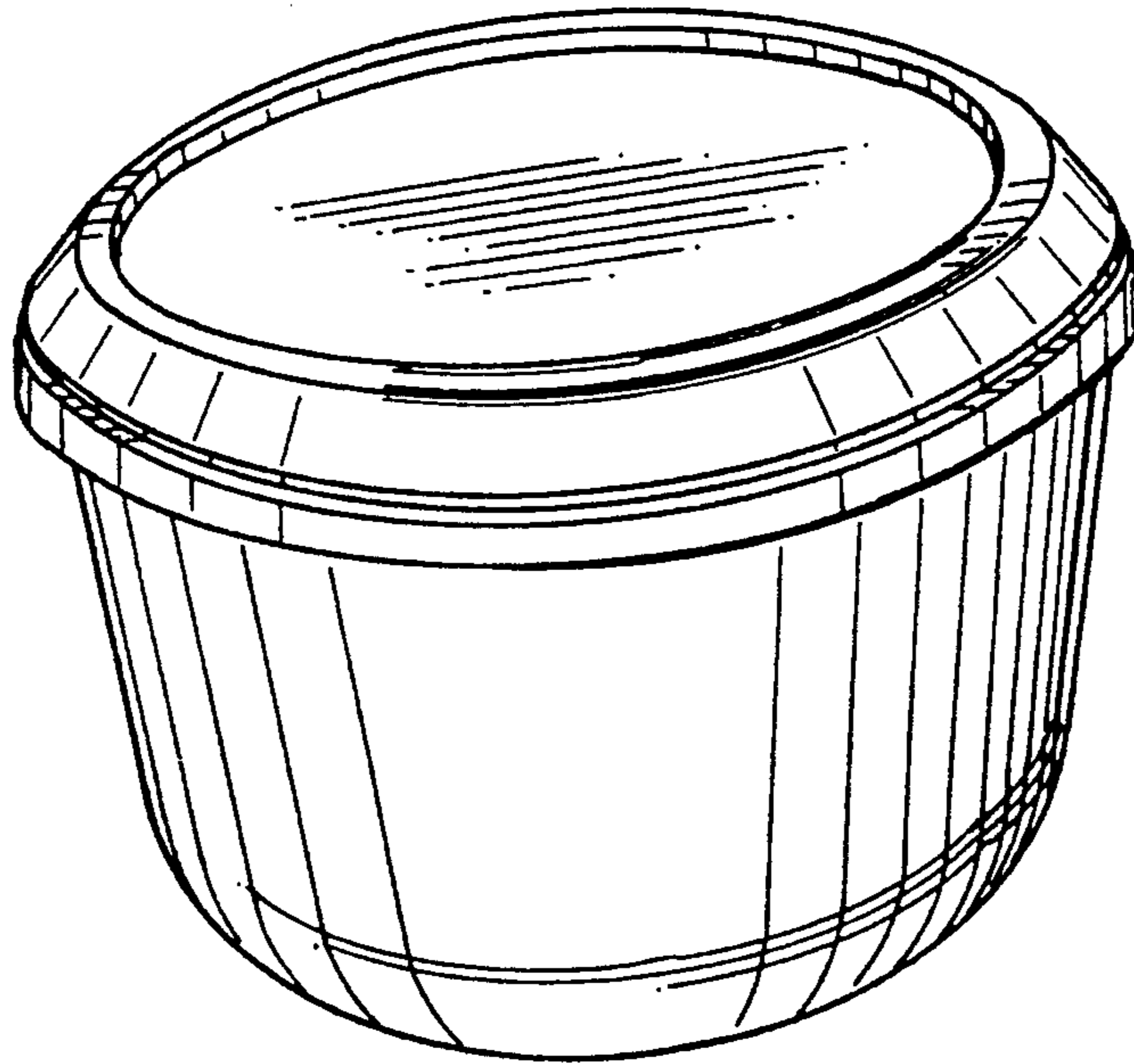


FIG. 1

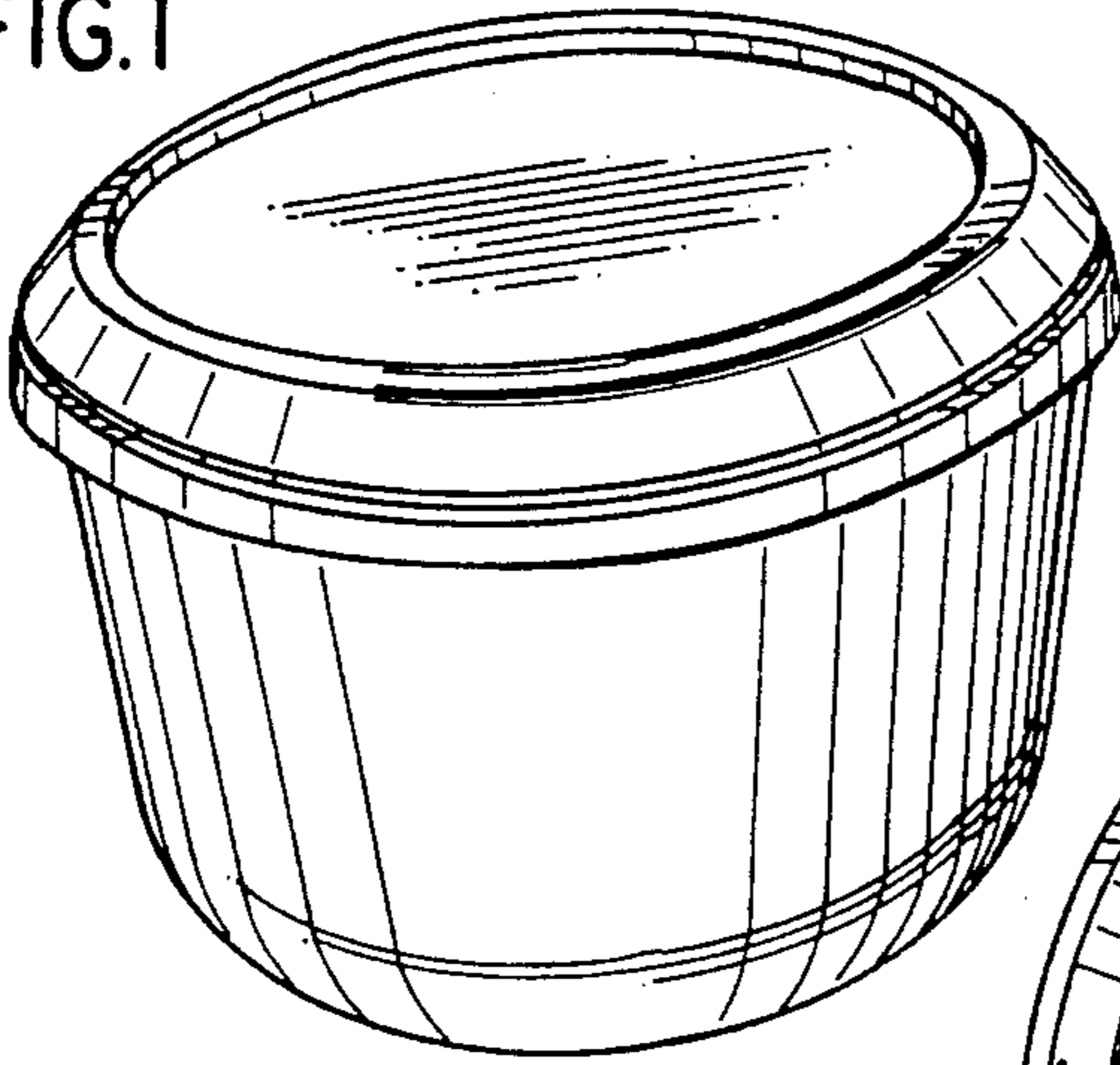


FIG. 2

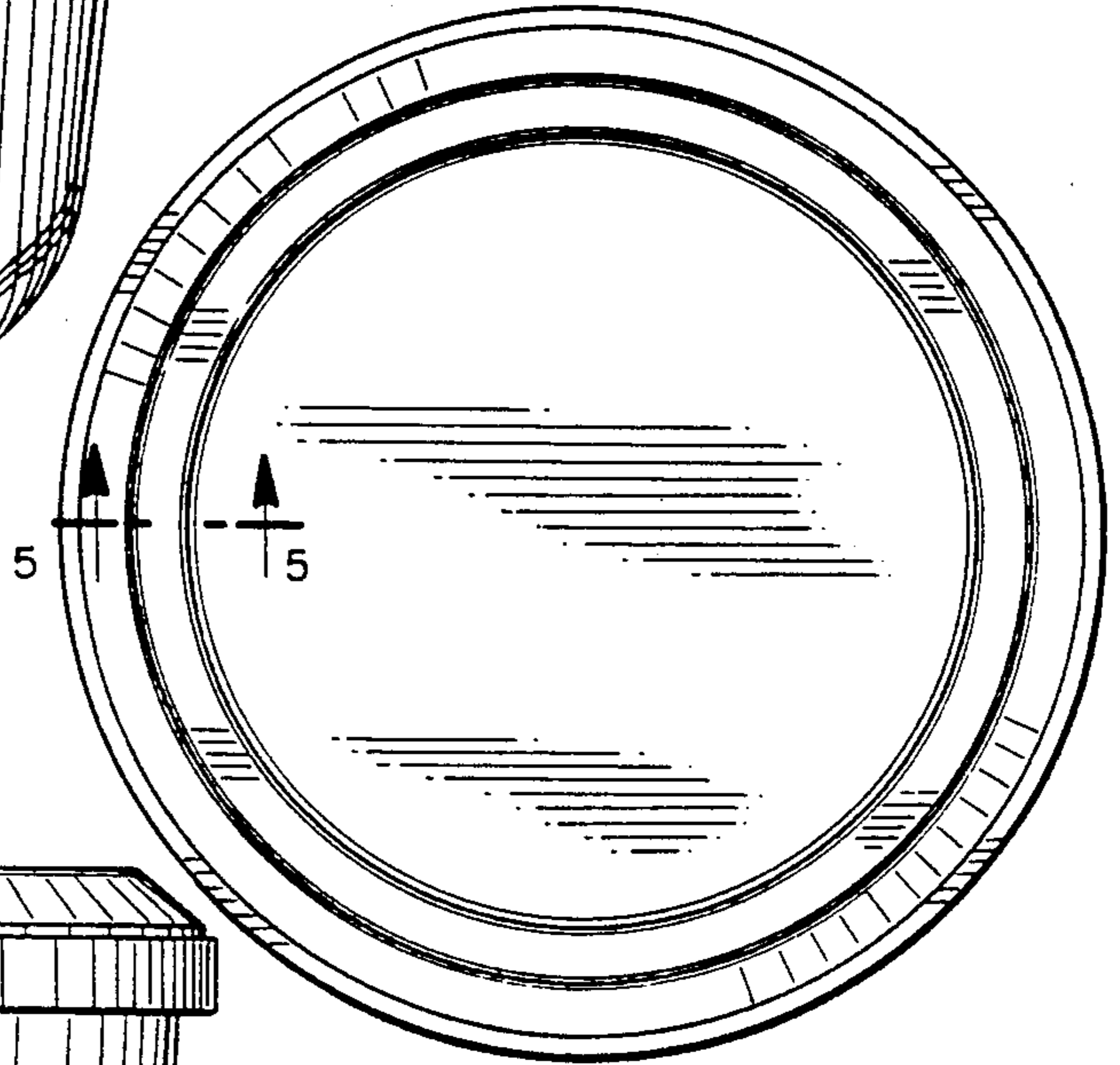


FIG. 3

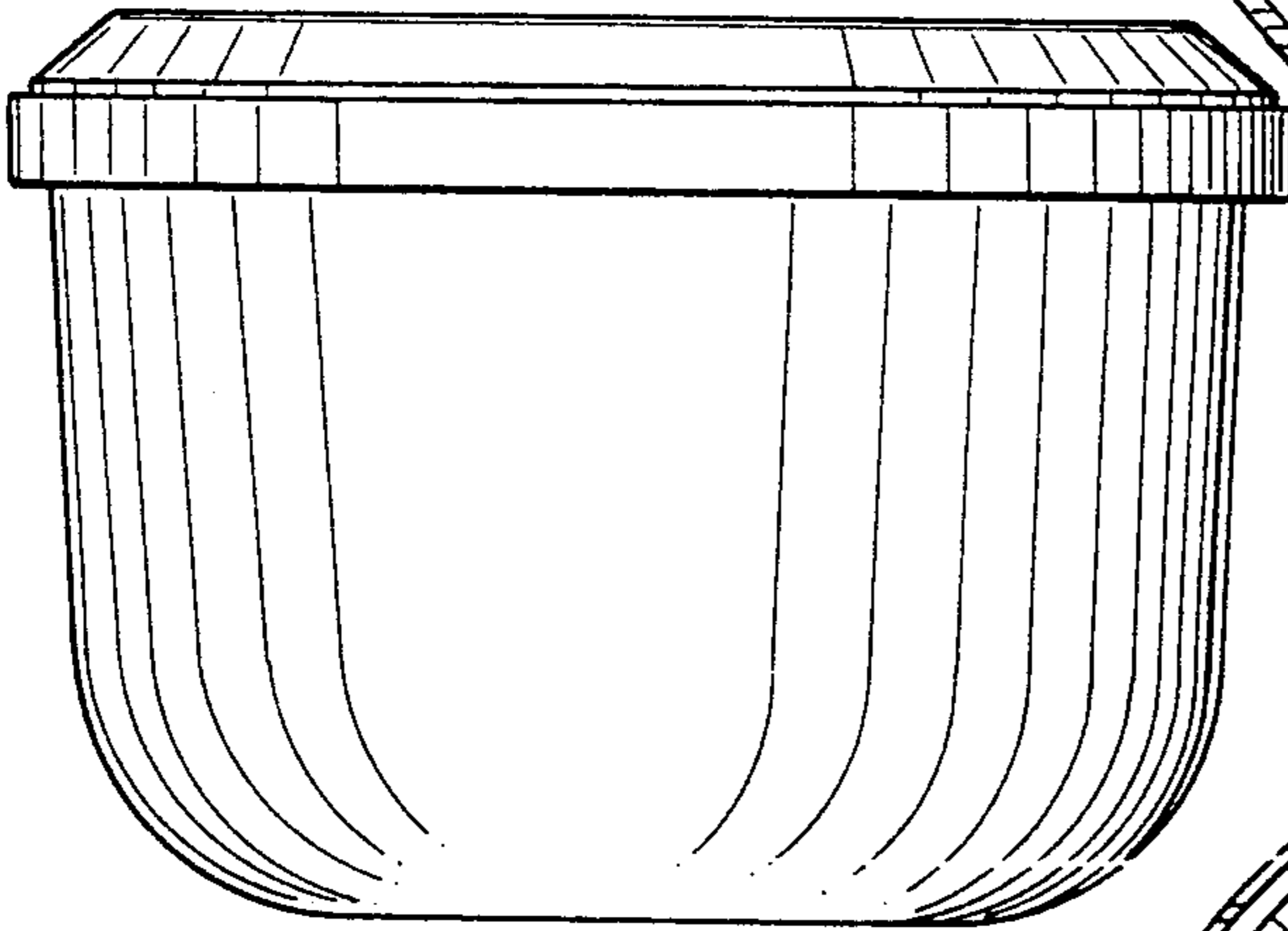


FIG. 4

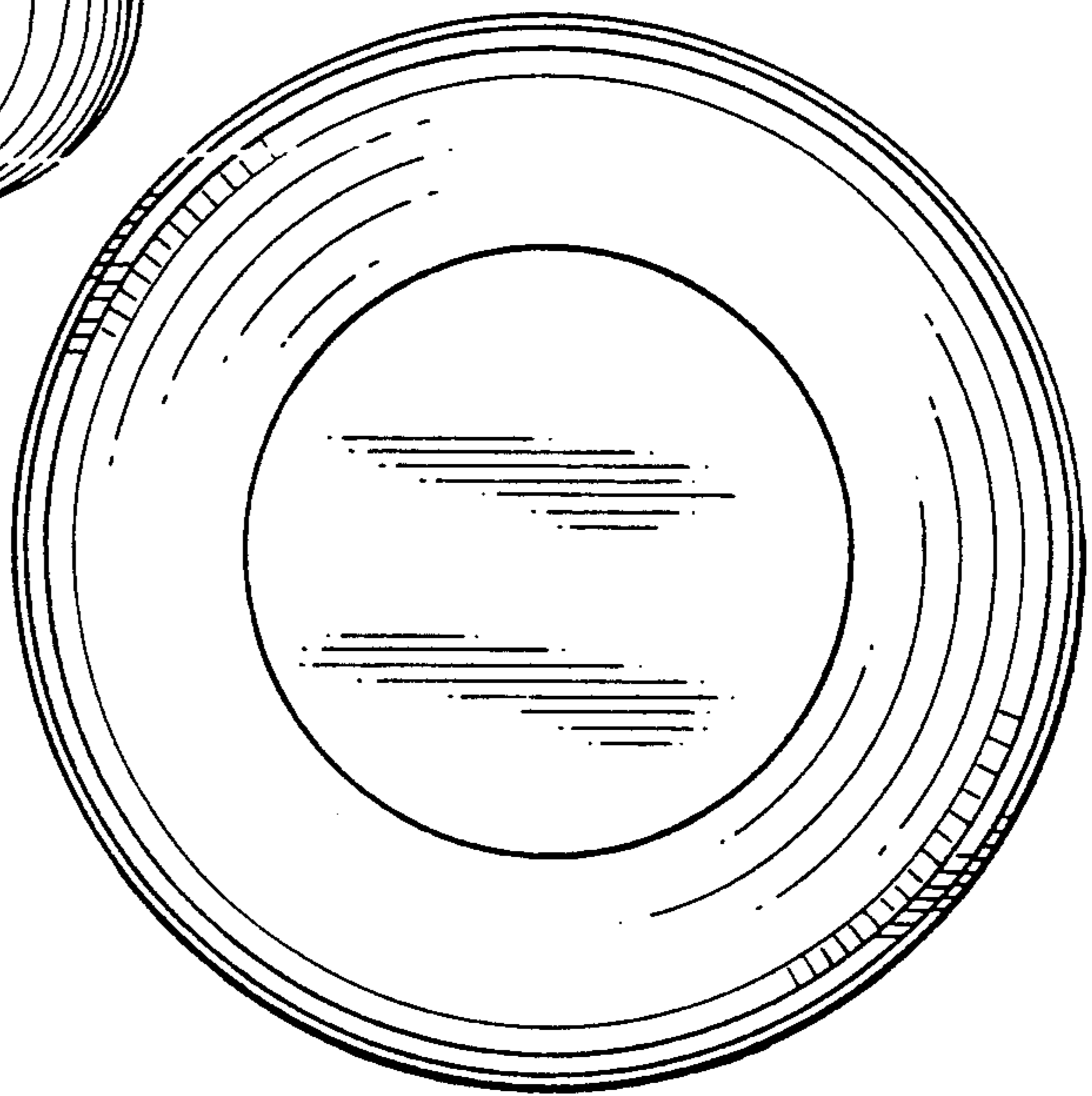


FIG. 5

