



US00D329770S

United States Patent [19]

[11] Patent Number: **Des. 329,770**

Grahl et al.

[45] Date of Patent: **** Sep. 29, 1992**

[54] **ARMREST FOR A CHAIR**

[75] Inventors: **Fredrich W. Grahl**, Coldwater, Mich.; **Jack Litewka**, Seattle, Wash.

[73] Assignee: **Grahl Industries, Inc.**, Coldwater, Mich.

[**] Term: **14 Years**

[21] Appl. No.: **305,496**

[22] Filed: **Feb. 2, 1989**

[52] U.S. Cl. **D6/501**

[58] Field of Search **D6/500-502, D6/366; 297/411-412, 414, 421**

[56] **References Cited**

U.S. PATENT DOCUMENTS

D. 264,643	6/1982	Pelly	D6/366
D. 277,916	3/1985	Aronowitz et al.	D6/501
D. 294,546	3/1988	Opsvik	D6/500
D. 311,287	10/1990	Behringer	D6/366
4,277,102	7/1981	Aaras et al.	D6/366

OTHER PUBLICATIONS

Domus, Dec. 1986, p. 29, round table on chair at left.
Domus, Jan. 1985, p. 57, top left armrests on sofa.
Domus, Dec. 1984, p. 656, armrest on chair bottom left.
Criterion, Steelcase, Copyright 1989.

Primary Examiner—Carmen H. Vales-Lado
Assistant Examiner—Janice E. Seeger
Attorney, Agent, or Firm—Irving M. Weiner; Robert M. Petrik; Joseph P. Carrier

[57] **CLAIM**

The ornamental design for an armrest for a chair as shown and described.

DESCRIPTION

FIG. 1 is a front perspective view of an armrest for a chair, showing our new design, the broken lines are for illustrative purposes only;
FIG. 2 is a side elevational view;
FIG. 3 is a front elevational view;
FIG. 4 is an elevational view, showing the side not shown in FIG. 2;
FIG. 5 is a top plan view; and,
FIG. 6 is a bottom plan view thereof.
FIGS. 2-6 have been drawn to an enlarged scale with respect to FIG. 1.

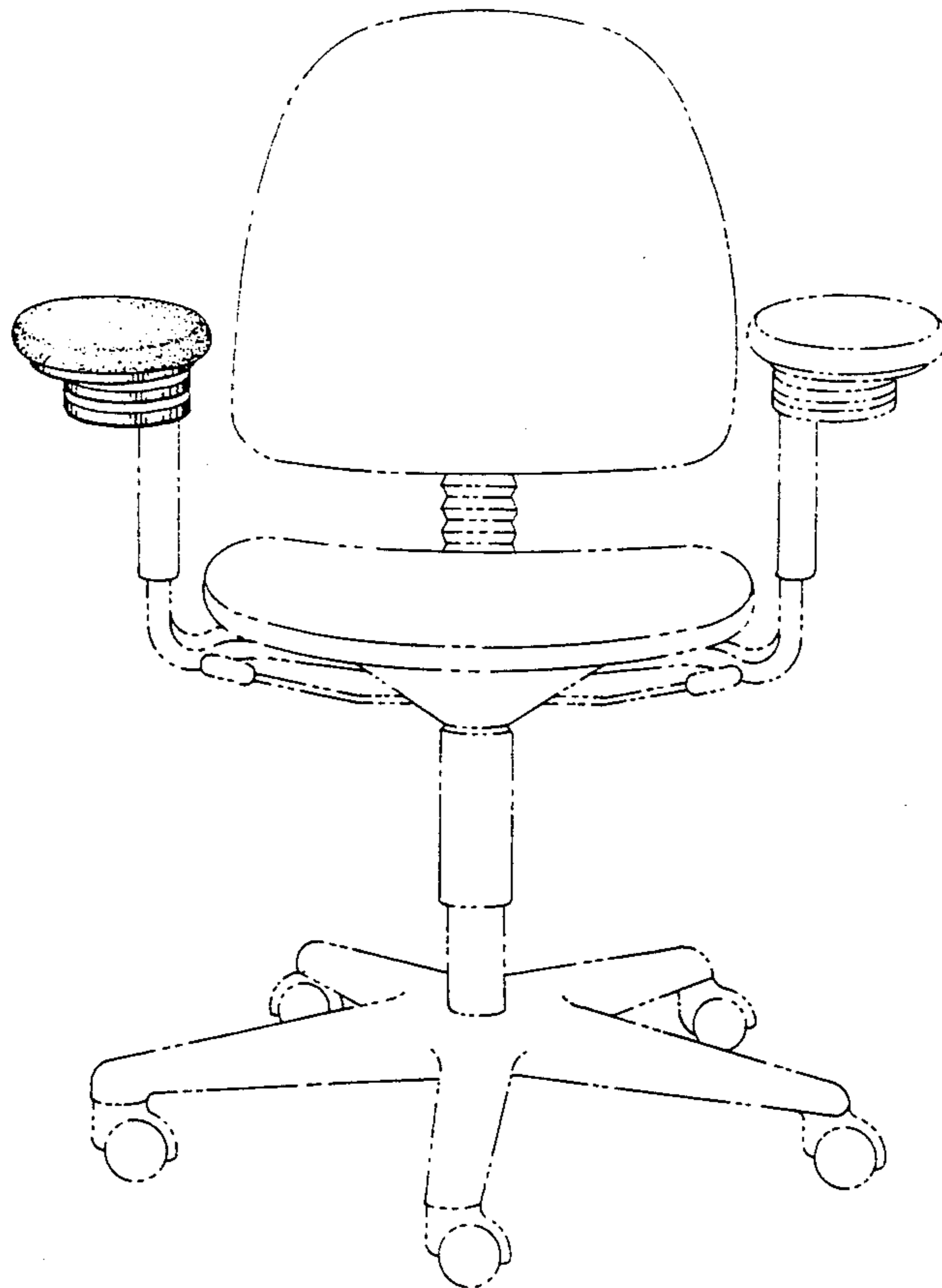
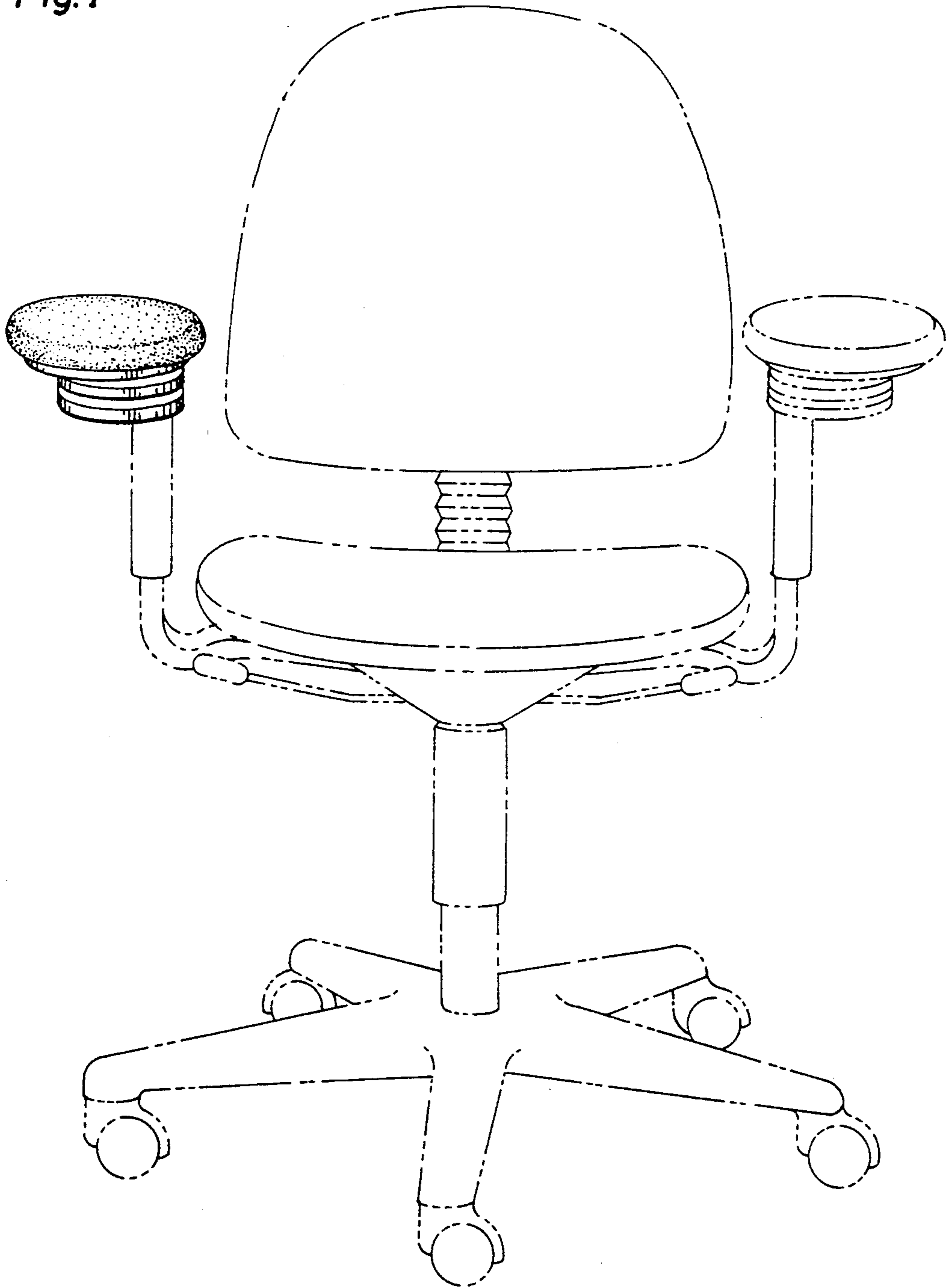


Fig. 1



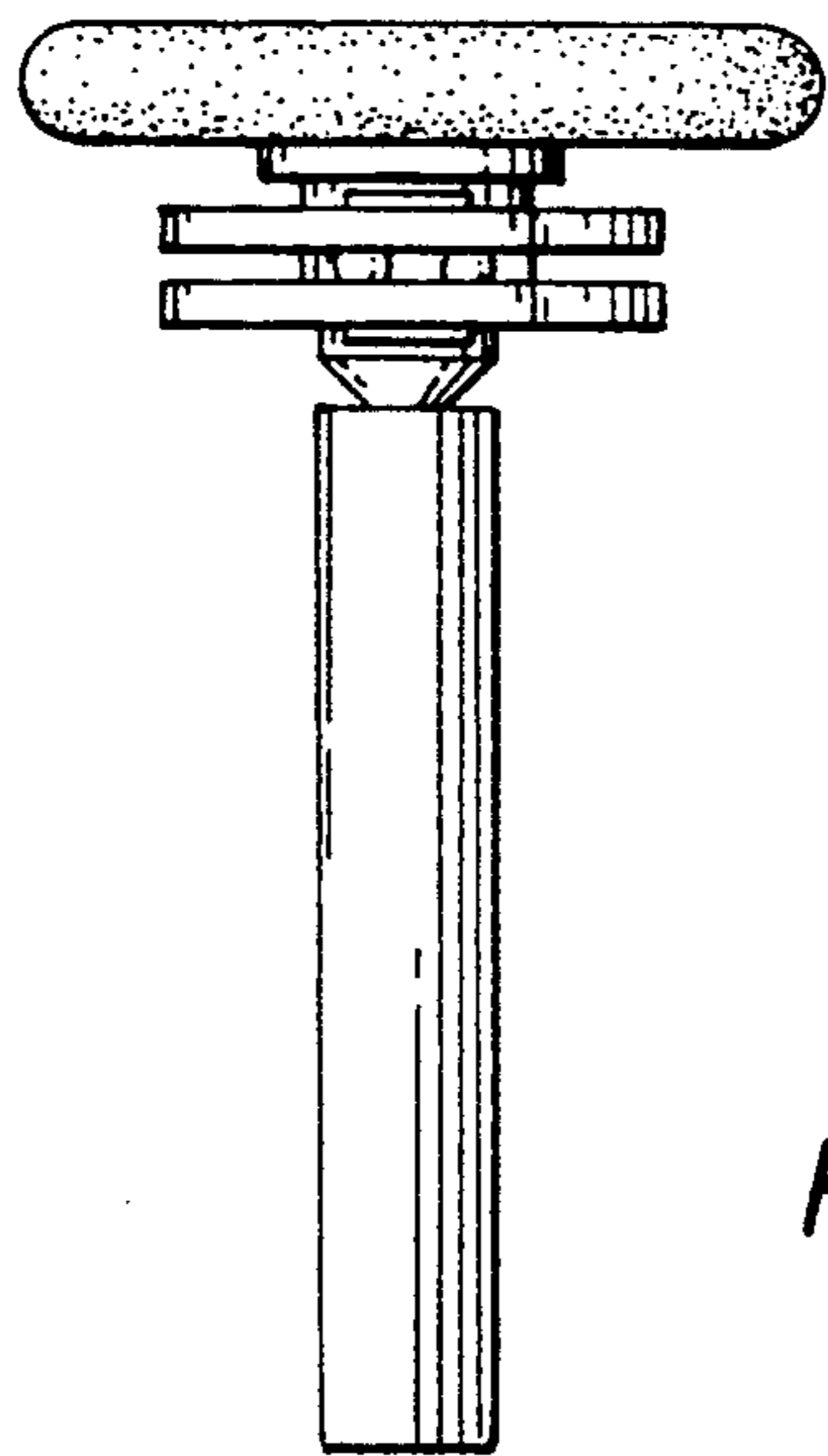


Fig. 2

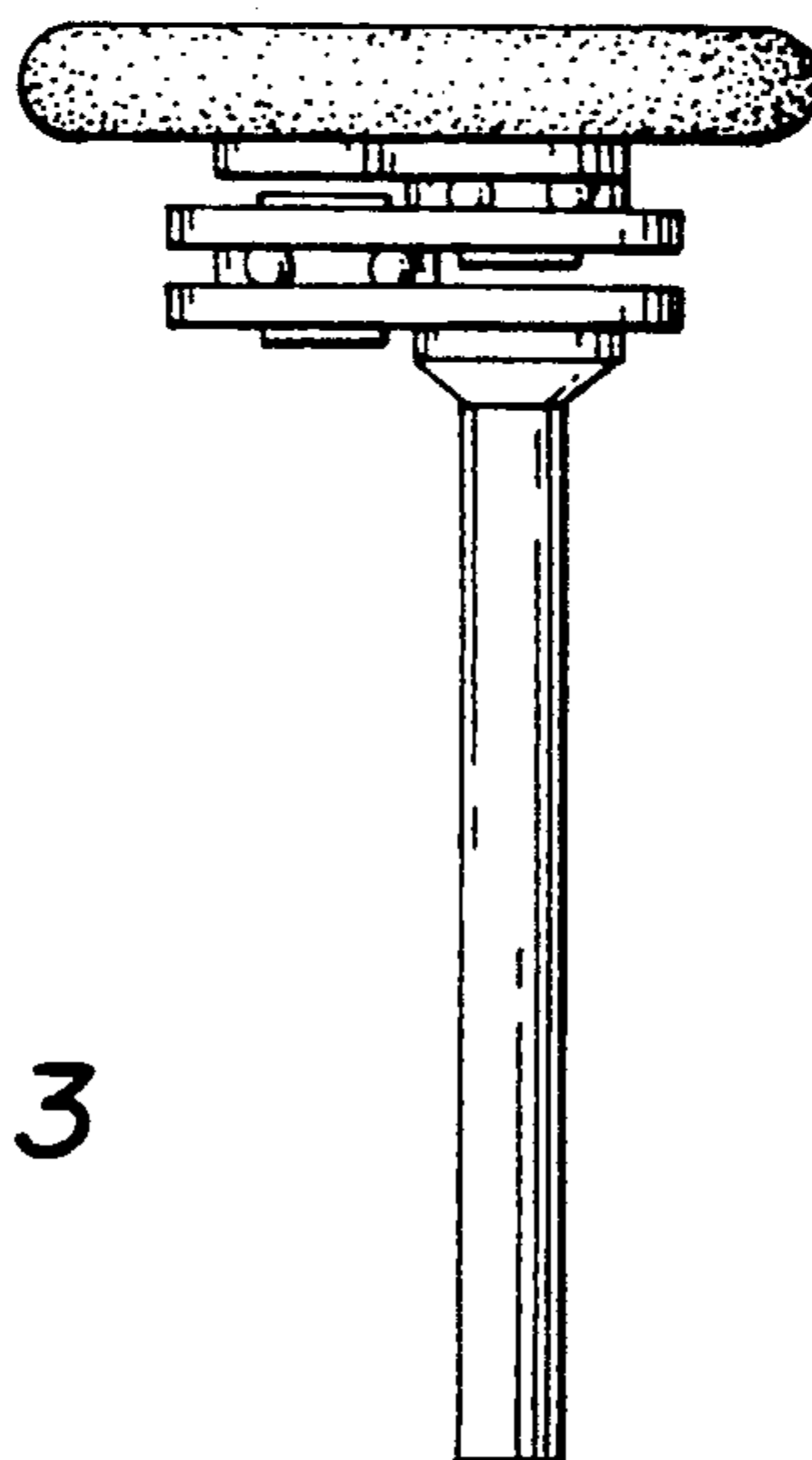


Fig. 3

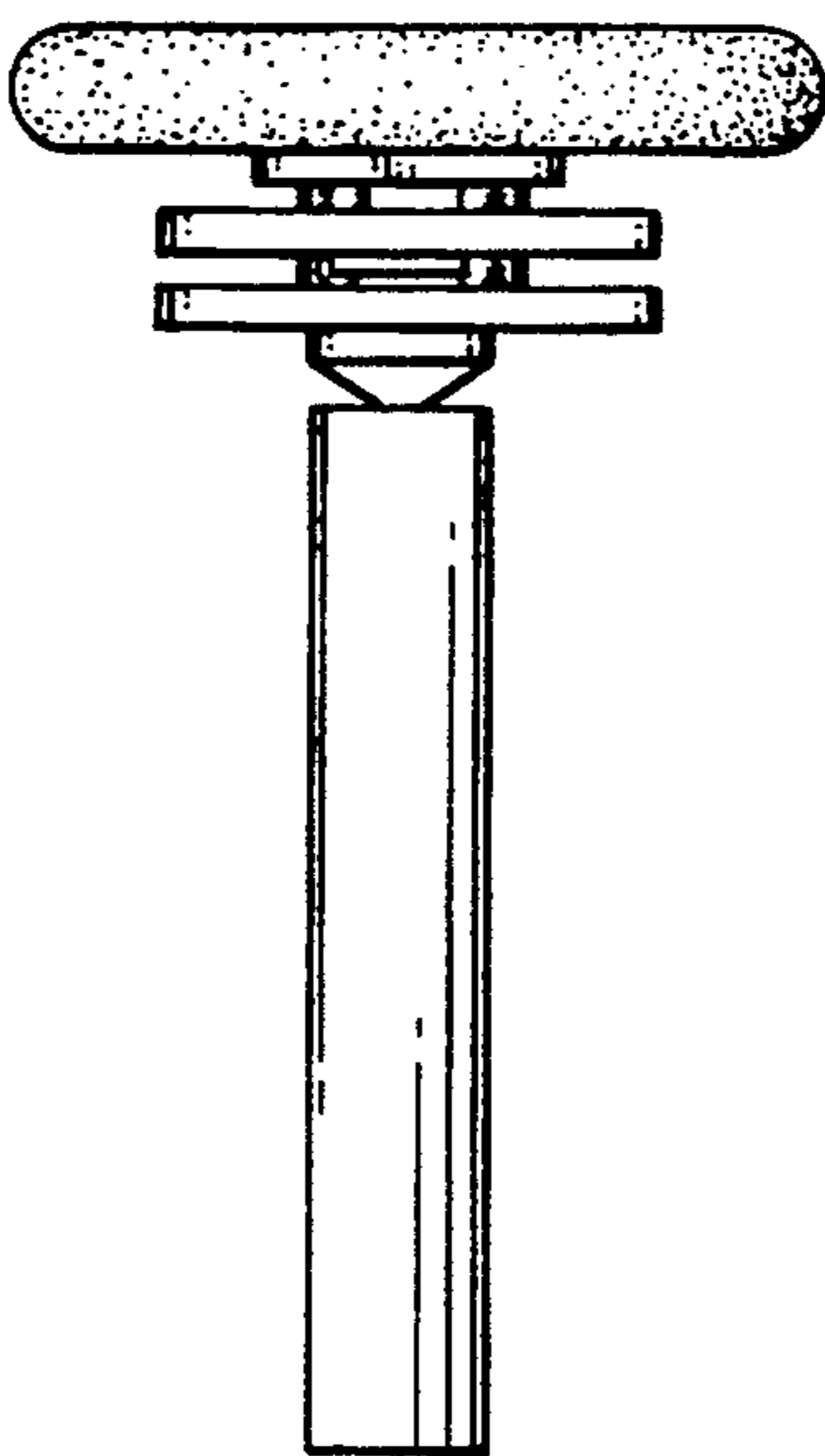


Fig. 4

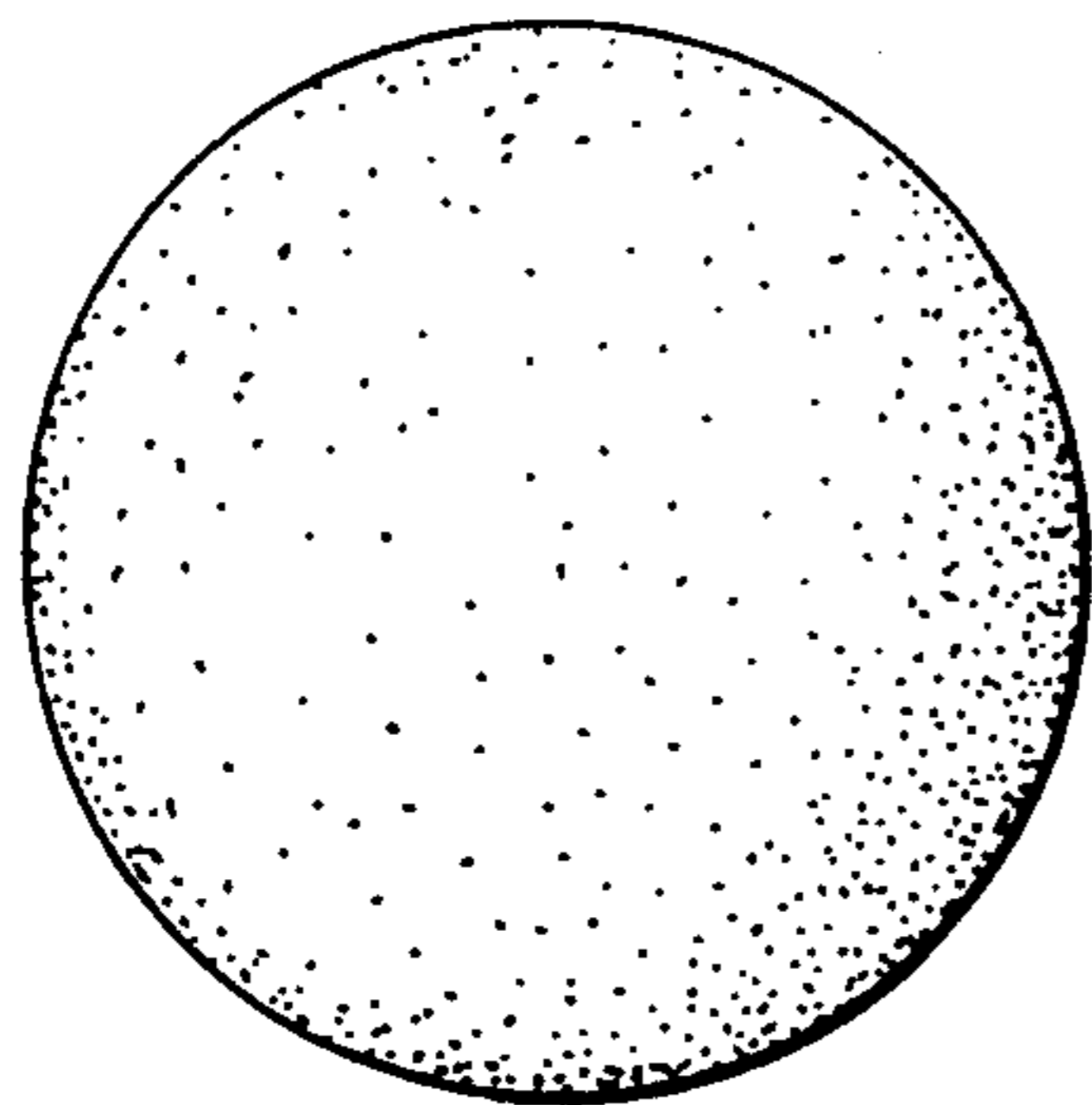


Fig. 5

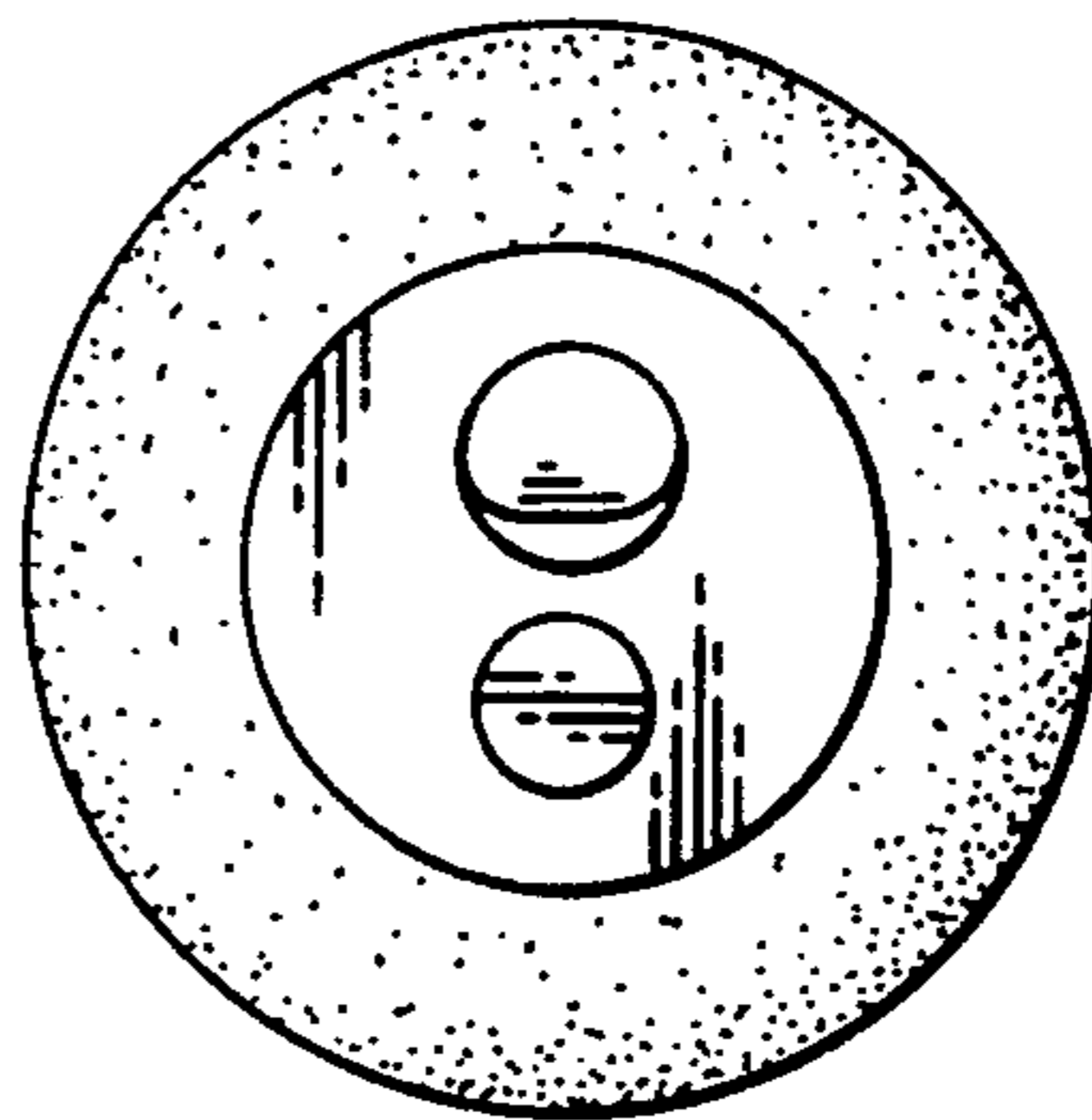


Fig. 6