



US00D329767S

United States Patent [19]

[11] Patent Number: **Des. 329,767**

White

[45] Date of Patent: **** Sep. 29, 1992**

[54] TABLE

[75] Inventor: **Winsor D. White, Chicago, Ill.**

[73] Assignee: **Henredon Furniture Industries, Inc., Morganton, N.C.**

[**] Term: **14 Years**

[21] Appl. No.: **374,390**

[22] Filed: **Jun. 29, 1989**

[52] U.S. Cl. **D6/486; D6/451**

[58] Field of Search **D6/480, 482-489, D6/495, 497, 499, 396, 397, 451; 108/150, 159**

[56] References Cited

U.S. PATENT DOCUMENTS

D. 49,314	7/1916	Nitsche	D6/488
D. 56,541	11/1920	Sailer	D6/495
D. 81,953	9/1930	Appleman	D6/495
D. 149,043	3/1948	Bouligny	D6/486 X
D. 280,580	9/1985	Appel et al.	D6/486
3,980,027	9/1976	Maes	D6/486 X

OTHER PUBLICATIONS

Ficks-Reed Catalog, p. 32, No. 8321-36K Table Top Center.

Willow & Reed, p. 4 #3112/48 Table center left panel. Willow & Reed, in C-6 Box, Design Lib. No. 1442 Table at lower right.

Ficks-Reed Catalog, p. 12, No. 8320-36 Table Top Right.

Primary Examiner—Carmen H. Vales-lado

Assistant Examiner—Janice E. Seeger

Attorney, Agent, or Firm—Edgar A. Zarins; Malcolm L. Sutherland

[57] CLAIM

The ornamental design for a table, as shown and described.

DESCRIPTION

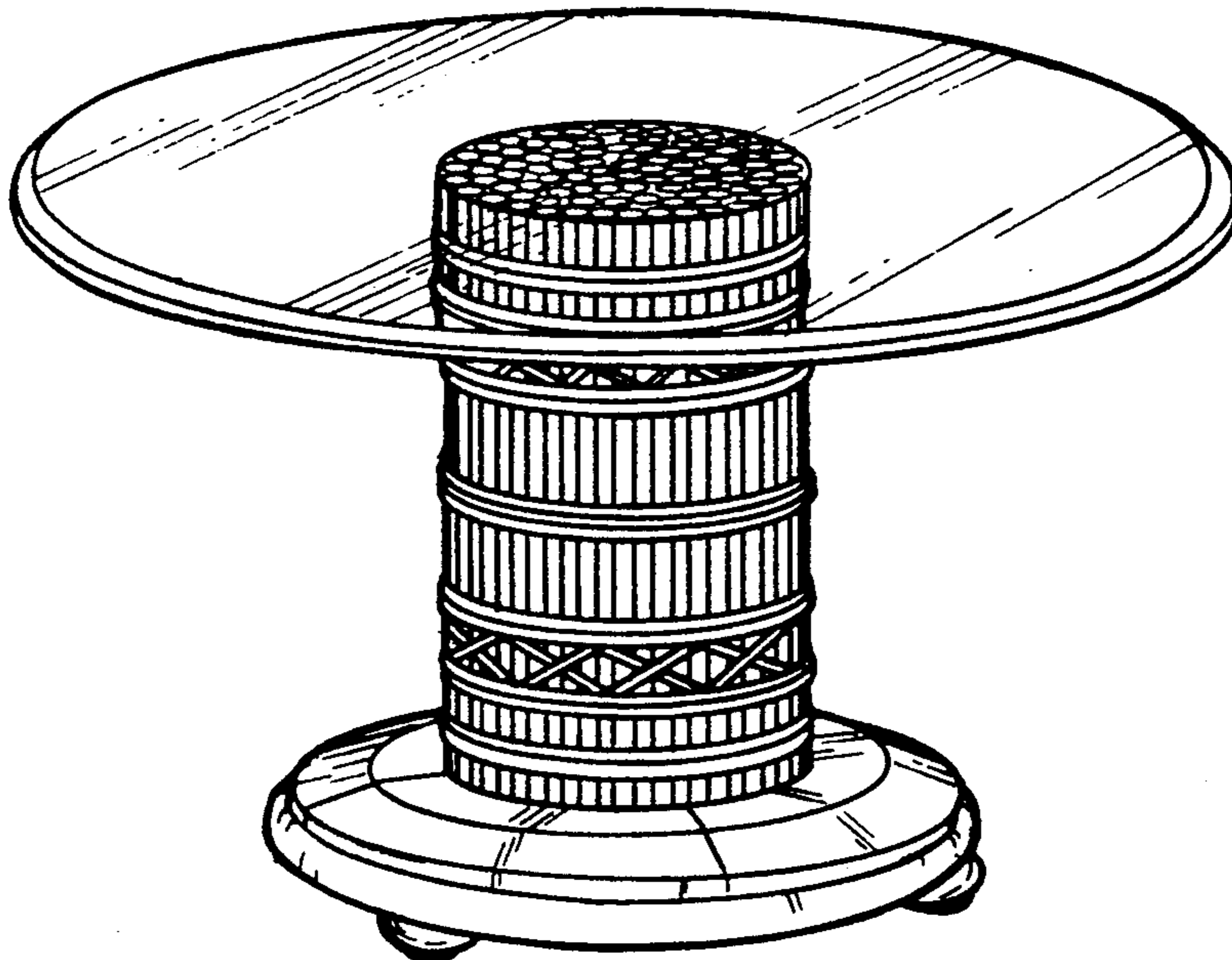
FIG. 1 is a perspective view of a table, showing my new design;

FIG. 2 is a side elevational view;

FIG. 3 is a bottom plan view;

FIG. 4 is a top plan view; and,

FIG. 5 is a perspective view of a table, showing an alternate embodiment of my new design.



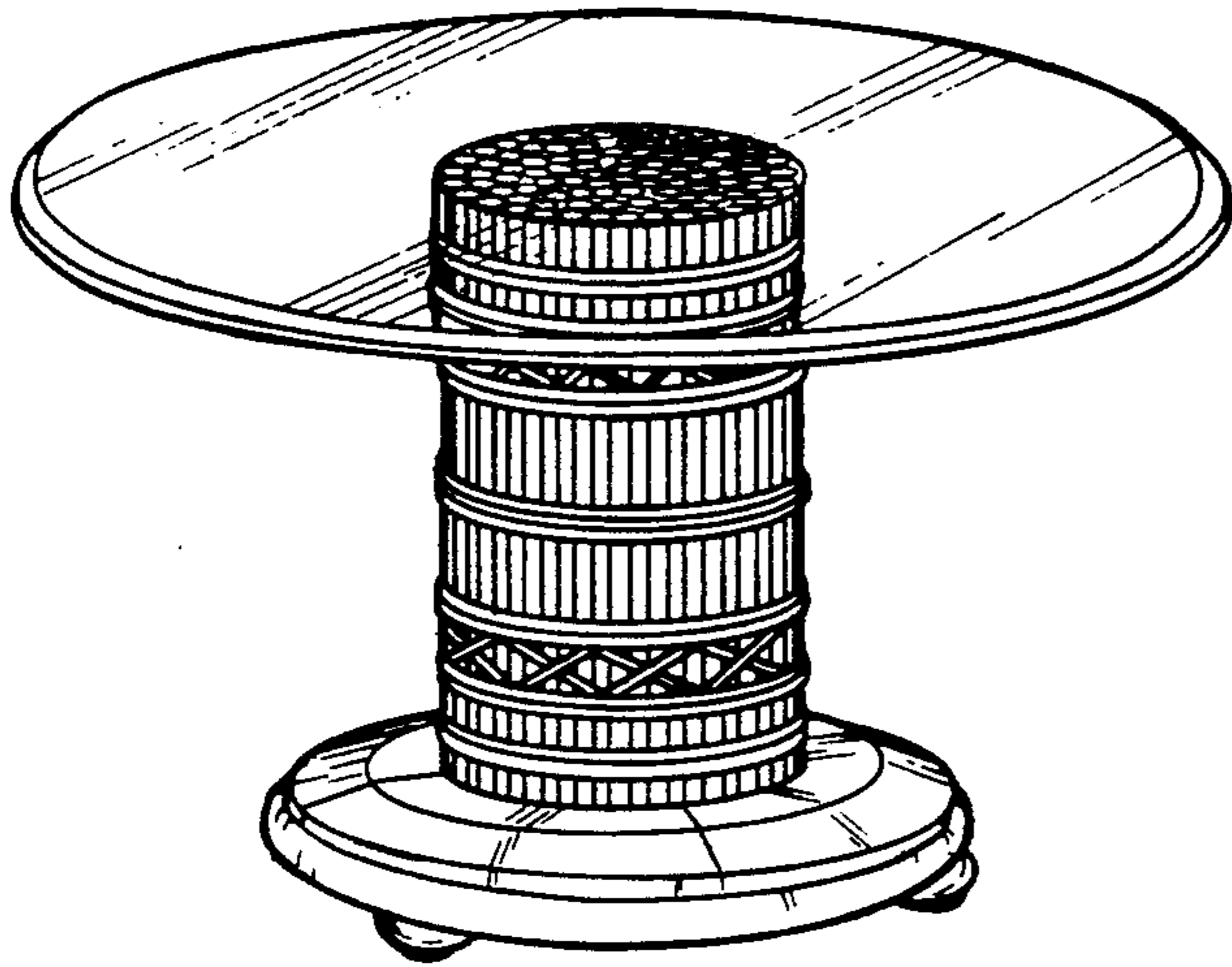


Fig-1

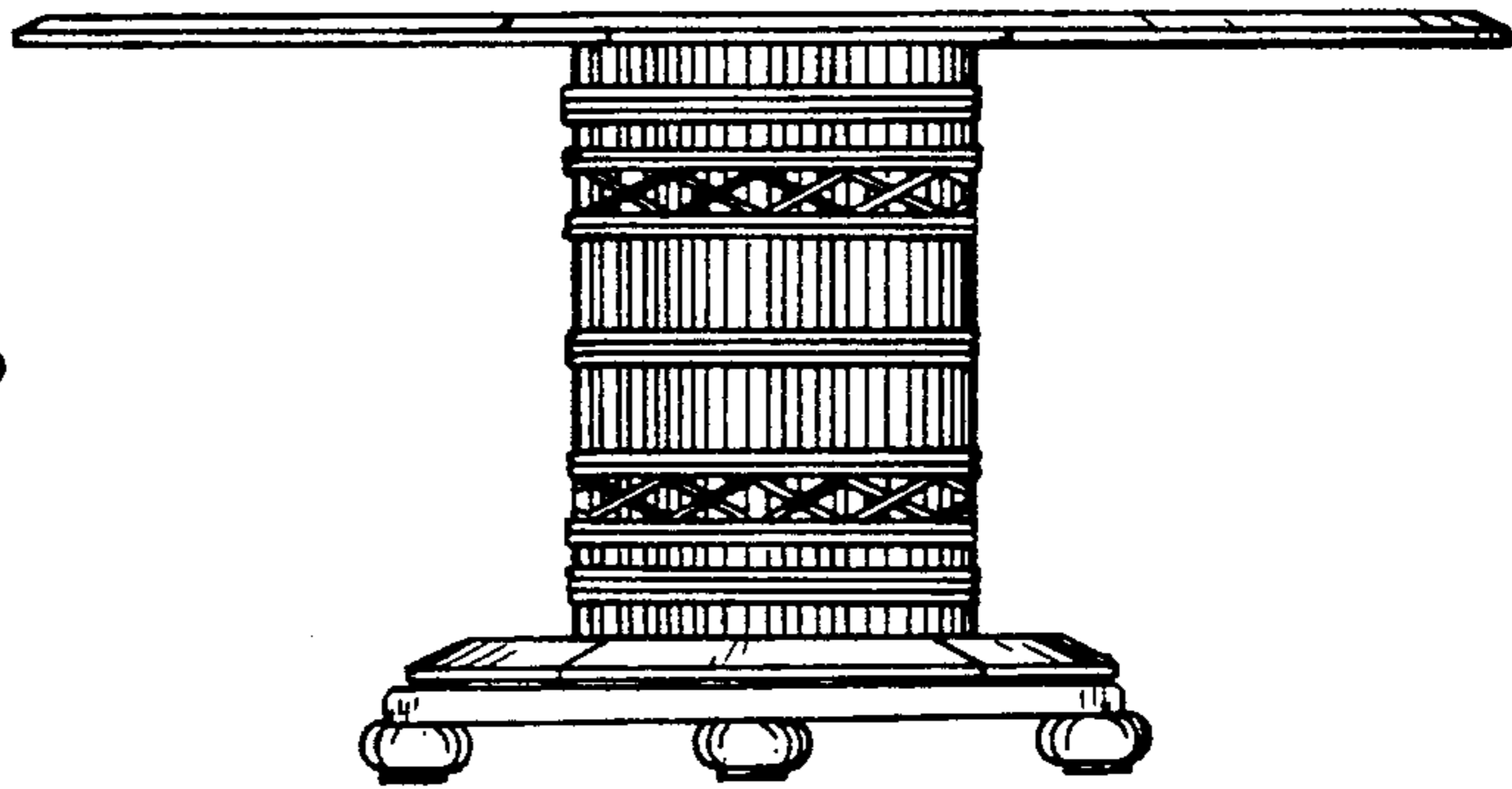


Fig-2

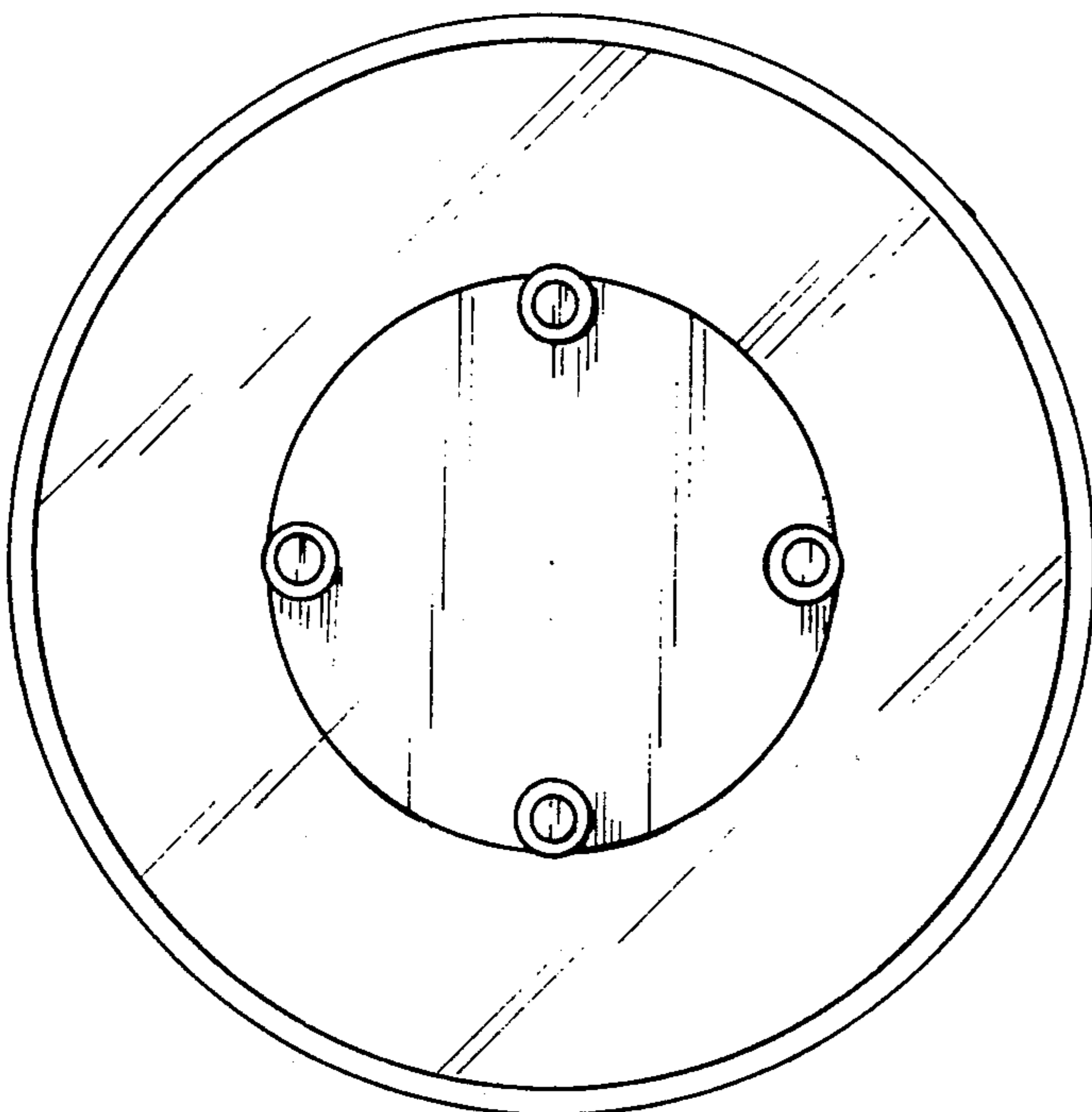


Fig-3

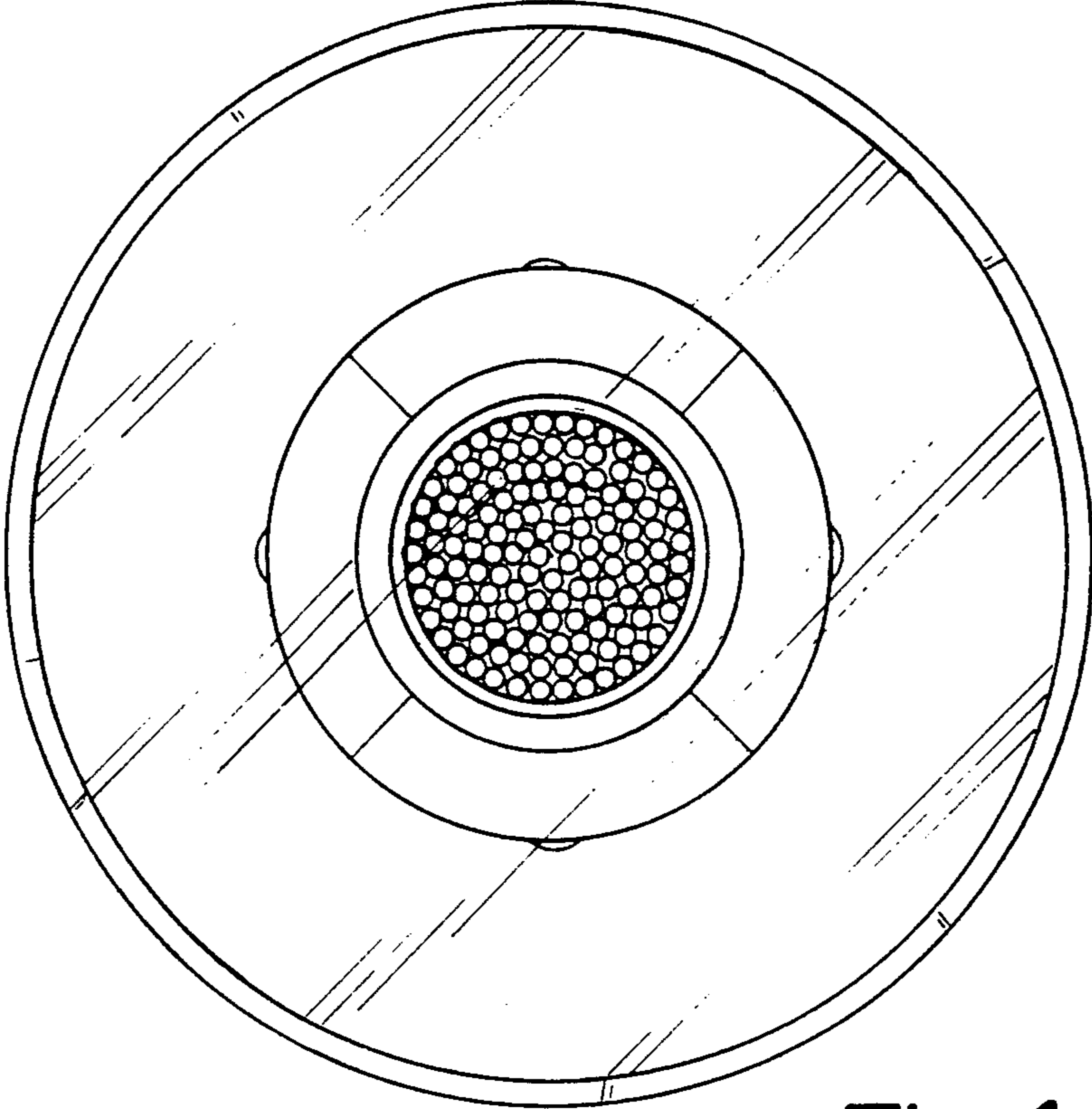


Fig-4

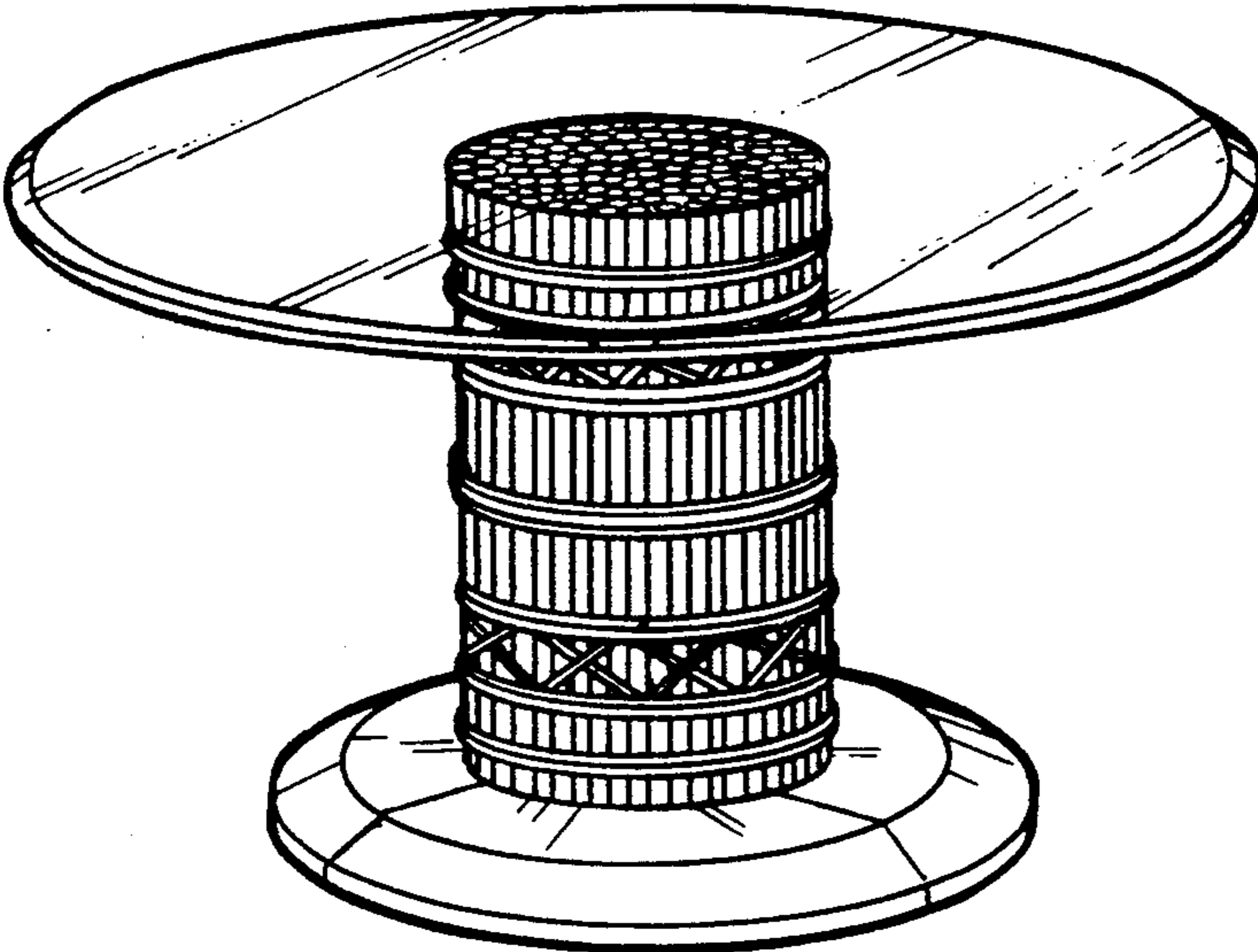


Fig-5