



US00D329762S

United States Patent [19]

[11] Patent Number: **Des. 329,762**

Weeks

[45] Date of Patent: **** Sep. 29, 1992**

[54] **COPYHOLDER**

[76] Inventor: **Andrew J. Weeks**, 137 Old Ford End Rd., Queens Park, Bedford MK40 4 NG, England

[**] Term: **14 Years**

[21] Appl. No.: **359,053**

[22] Filed: **May 30, 1989**

[30] **Foreign Application Priority Data**

Dec. 1, 1988 [GB] United Kingdom 1055352
[52] U.S. Cl. **D6/419; D6/313; D6/338; D6/396; D6/400; D19/91; 40/352; 40/357**

[58] **Field of Search** D6/419, 310-314, D6/332, 338, 406, 417, 419, 420-428, 434, 553, 556, 559, 560, 563; D7/550, 698, 699; D10/87, 88, 90, 91, 92; D19/88, 91, 75; 40/352, 356, 344, 357; 248/441.1, 442.2, 444.1; 312/196-199

[56] **References Cited**

U.S. PATENT DOCUMENTS

D. 169.012 3/1953 Musacco D6/338

D. 246.016 10/1977 Brady D6/419
D. 253.775 12/1979 Larrieu D19/91
D. 296.851 7/1988 Kelley D6/419 X
869,110 10/1907 Tibbetts D6/313 X
2,035,670 3/1936 Rubenstein D6/313 X
2,528,990 11/1950 Atwood D19/91 X
4,455,773 6/1984 Denison 40/352
4,882,863 11/1989 Gross 40/357 X

Primary Examiner—Nelson C. Holtje
Assistant Examiner—Monica A. Hannon
Attorney, Agent, or Firm—Panitch, Schwarze, Jacobs & Nadel

[57] **CLAIM**

The ornamental design for a copyholder, as shown and described.

DESCRIPTION

FIG. 1 is a front perspective view of a copyholder showing my new design;
FIG. 2 is a front elevational view thereof;
FIG. 3 is a right side elevational view, the left side being a mirror image thereof;
FIG. 4 is a top plan view thereof; and,
FIG. 5 is a front perspective view of a second embodiment of FIG. 1.

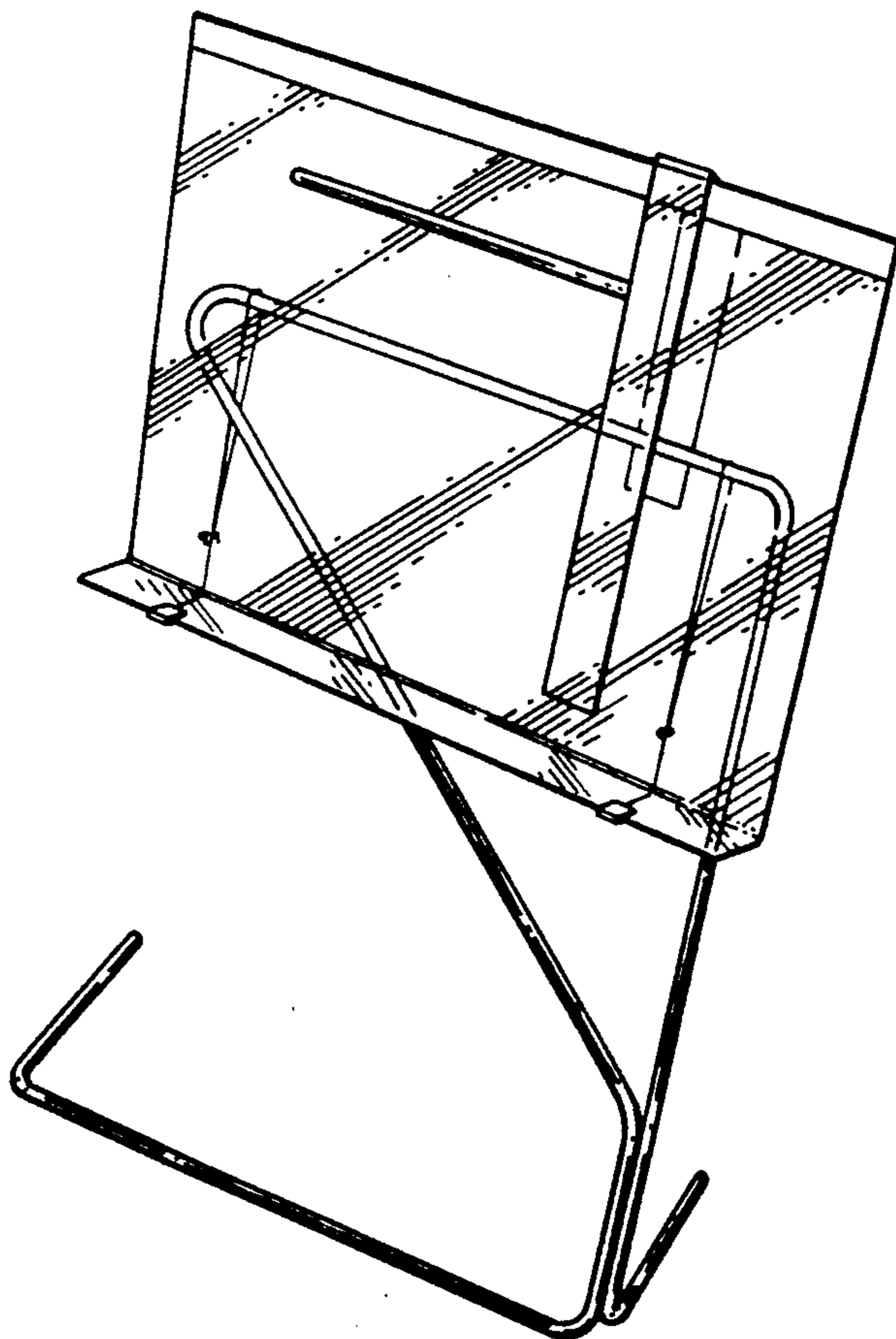


FIG. 1

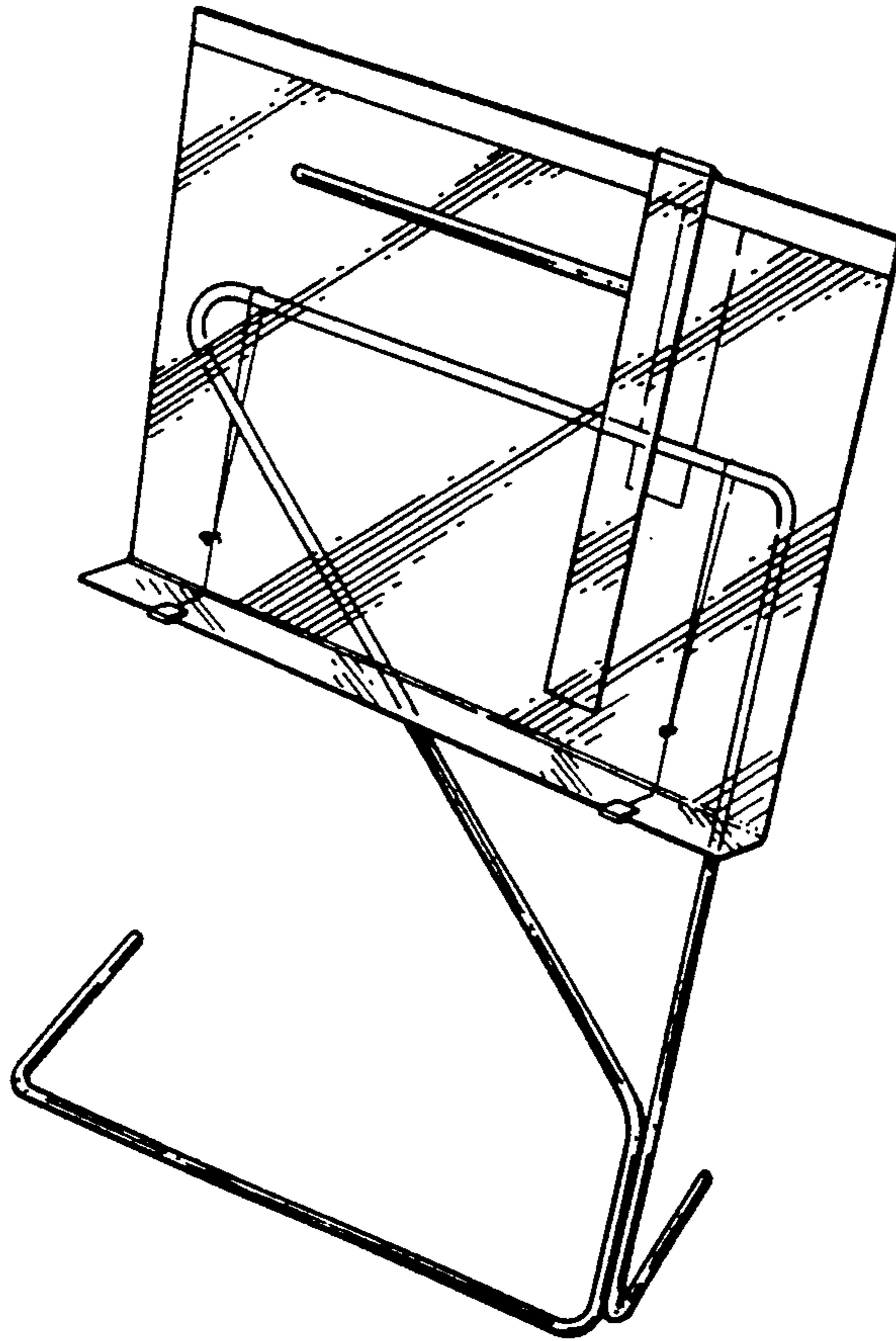


FIG. 2

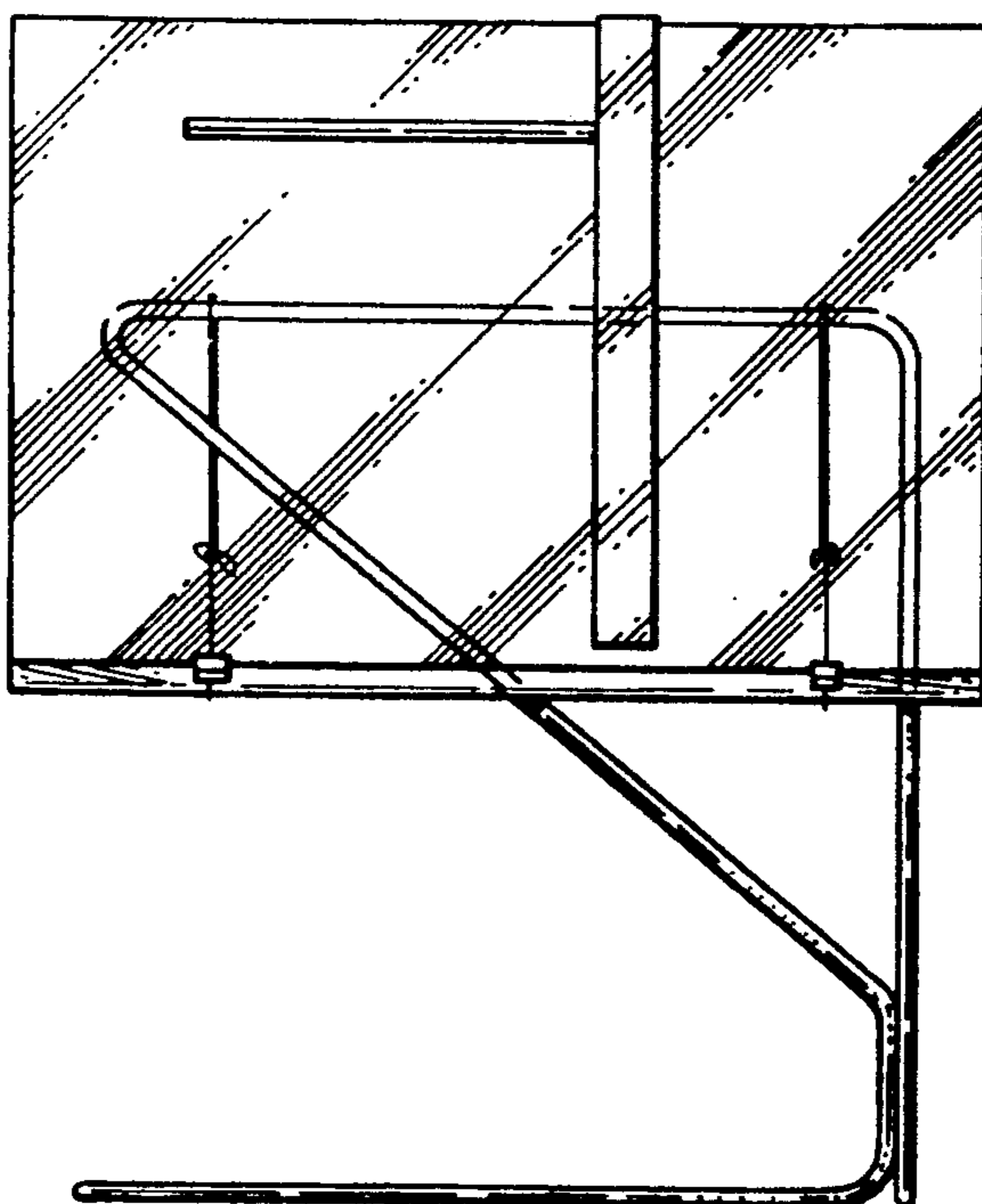


FIG. 3

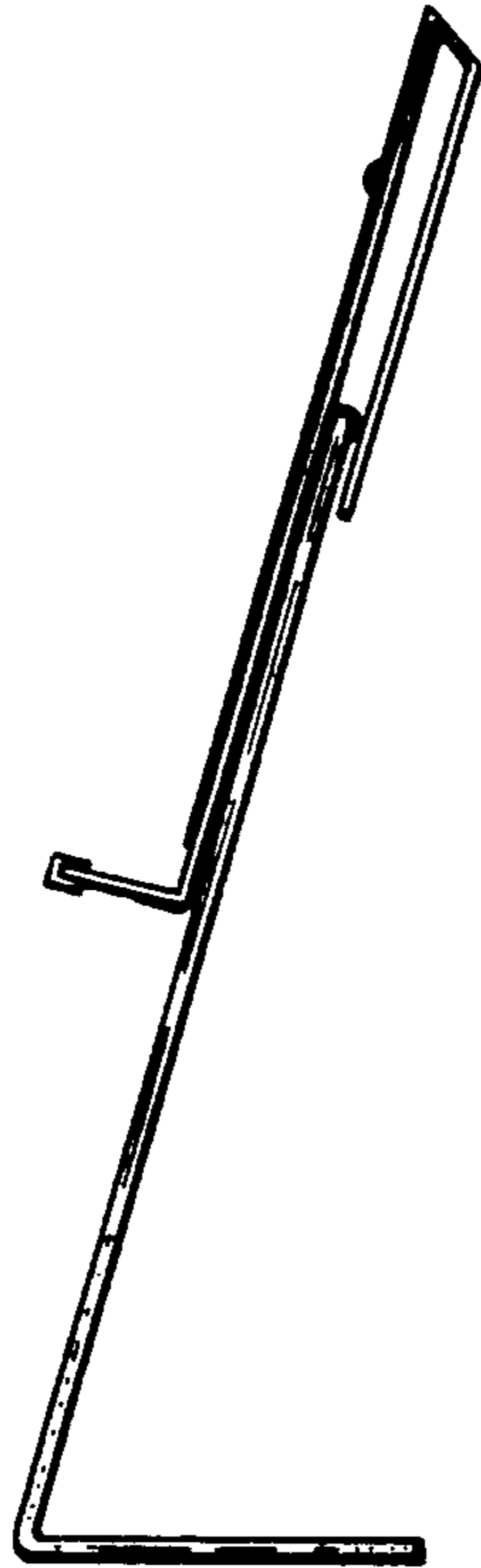


FIG. 4

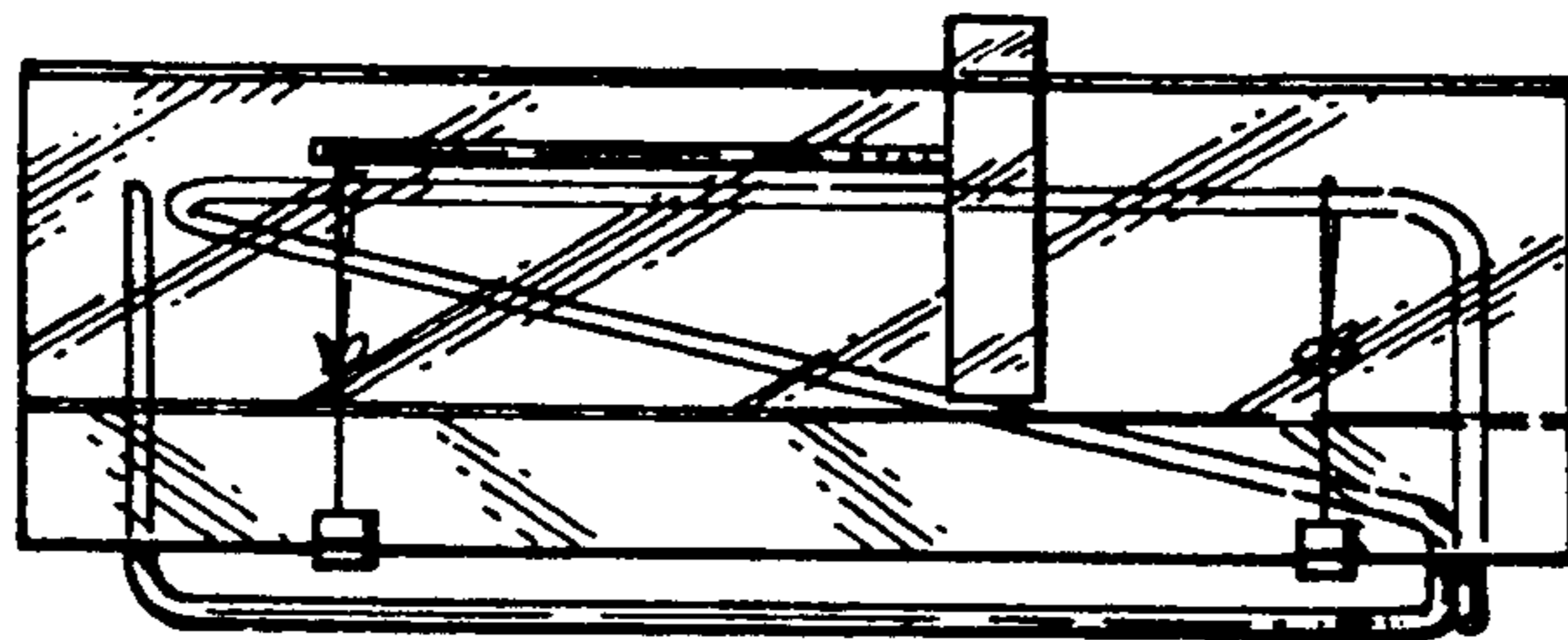


FIG. 5

