



US00D329761S

# United States Patent [19]

[11] Patent Number: **Des. 329,761**

Pieper

[45] Date of Patent: **\*\* Sep. 29, 1992**

## [54] SEAT ATTACHABLE UMBRELLA SUPPORT

[76] Inventor: **Raymond J. Pieper**, 1386 Reale Ave.,  
St. Louis, Mo. 63138

[\*\*] Term: **14 Years**

[21] Appl. No.: **350,327**

[22] Filed: **May 11, 1989**

[52] U.S. Cl. .... **D6/416; D6/413;**  
**D6/430; 211/62; 211/126**

[58] Field of Search ..... **D6/416, 486; 211/59.2,**  
**211/126, 59.3, 62, 190**

### [56] **References Cited**

#### **U.S. PATENT DOCUMENTS**

- 4,593,825 6/1986 Hepp ..... 211/126
- 4,609,175 9/1986 Conover ..... 211/62 X
- 4,700,847 10/1987 Shieh ..... 211/62

## FOREIGN PATENT DOCUMENTS

759799 5/1967 Canada ..... 211/126

*Primary Examiner*—Bruce W. Dunkins

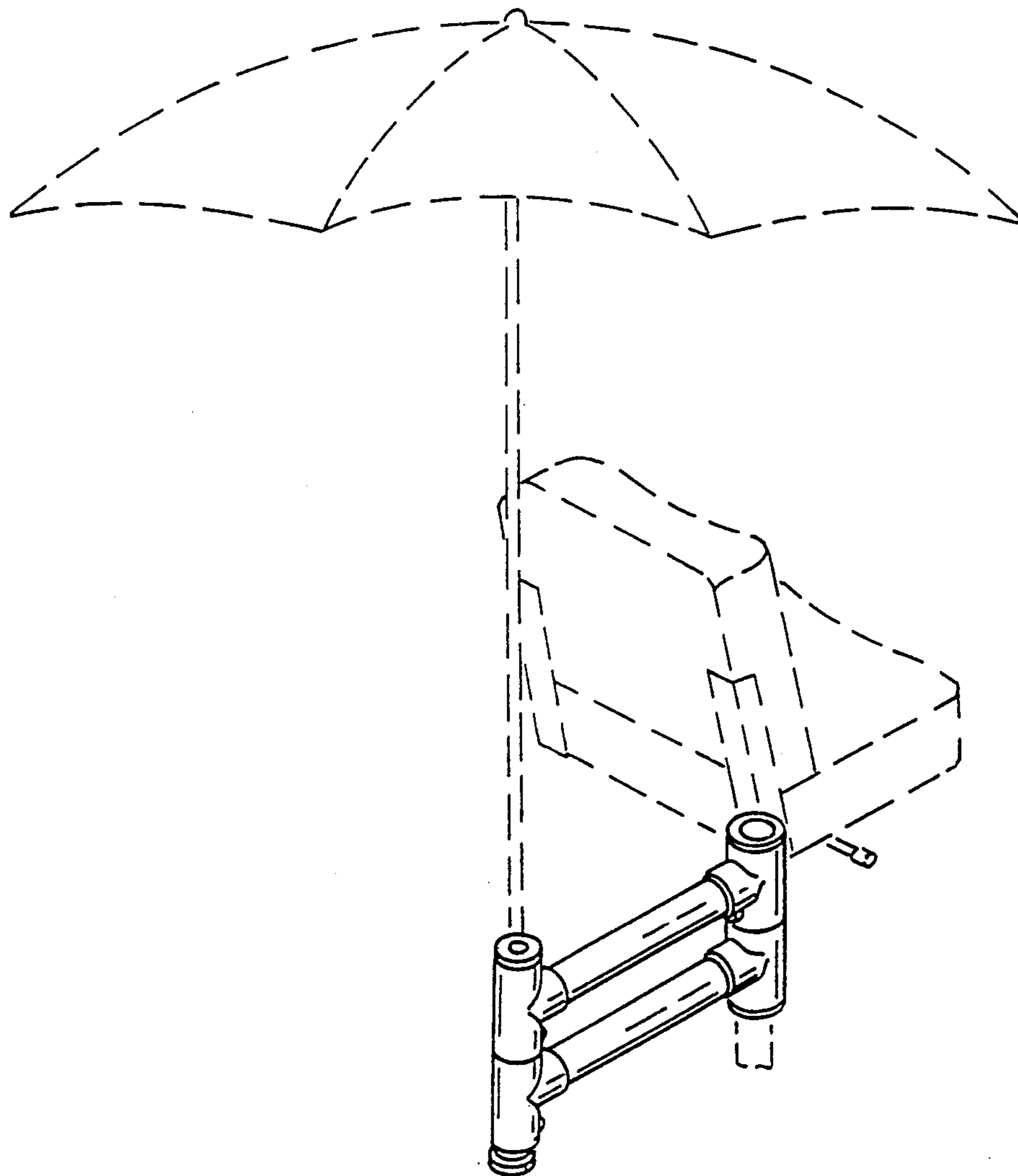
*Assistant Examiner*—Monica A. Hannon

### [57] **CLAIM**

The ornamental design for a seat attachable umbrella support, as shown and described.

### **DESCRIPTION**

FIG. 1 is a perspective view of a seat attachable umbrella support showing my new design;  
 FIG. 2 is a right side perspective view thereof;  
 FIG. 3 is a left side elevational view thereof;  
 FIG. 4 is a top plan view thereof;  
 FIG. 5 is a right side elevational view thereof;  
 FIG. 6 is a left end view thereof;  
 FIG. 7 is a right end view thereof; and,  
 FIG. 8 is a bottom plan view thereof.



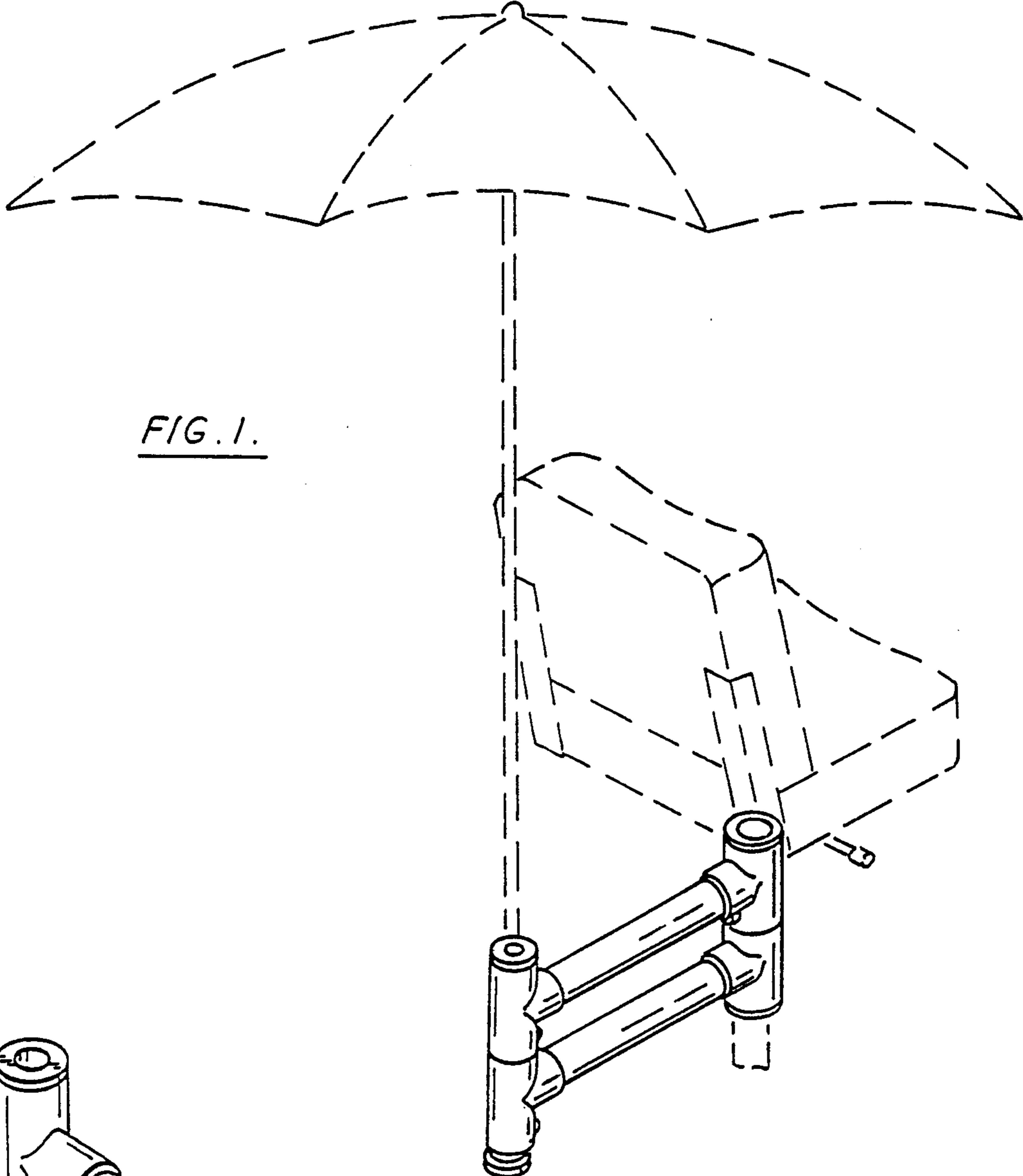


FIG. 1.

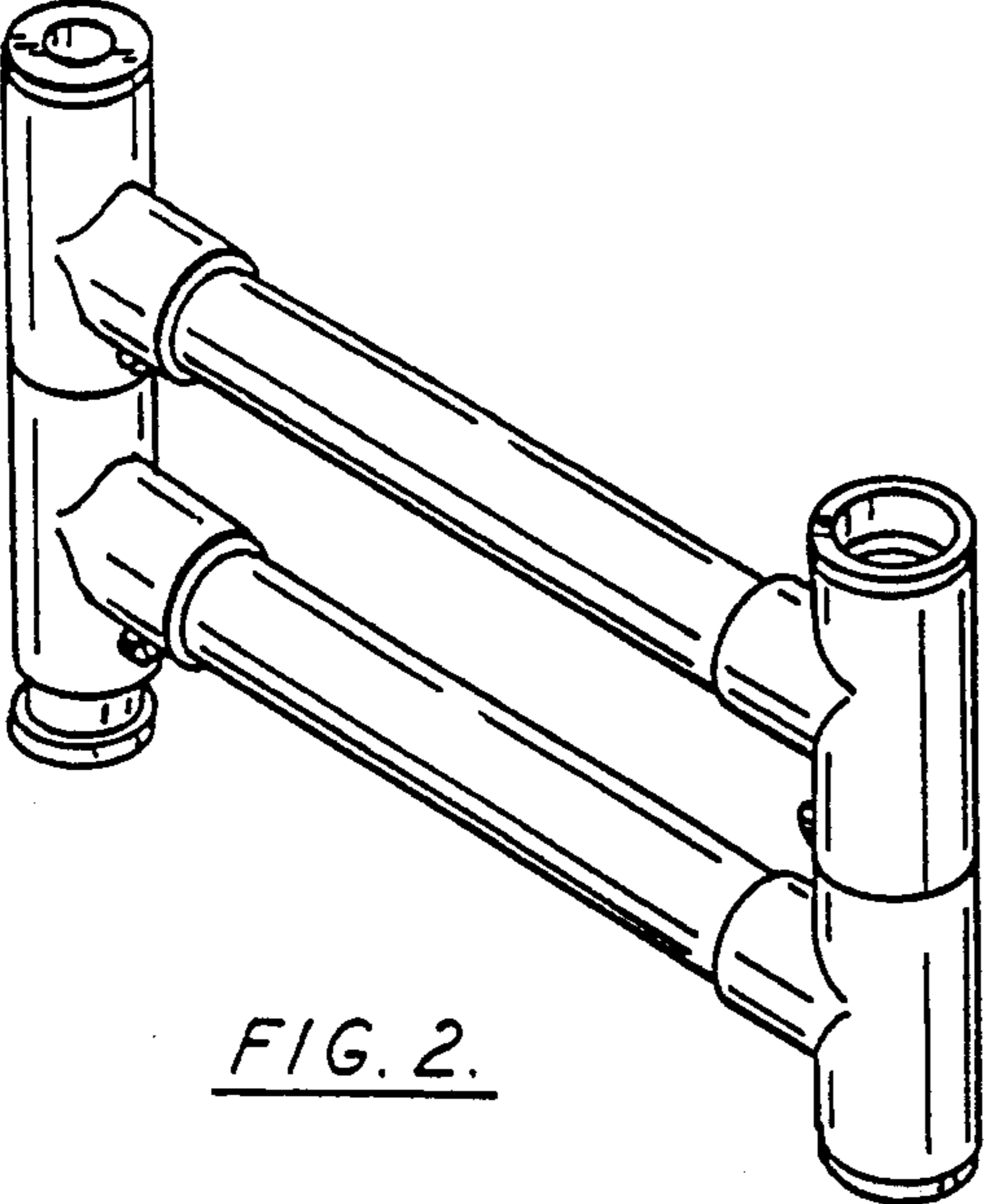


FIG. 2.

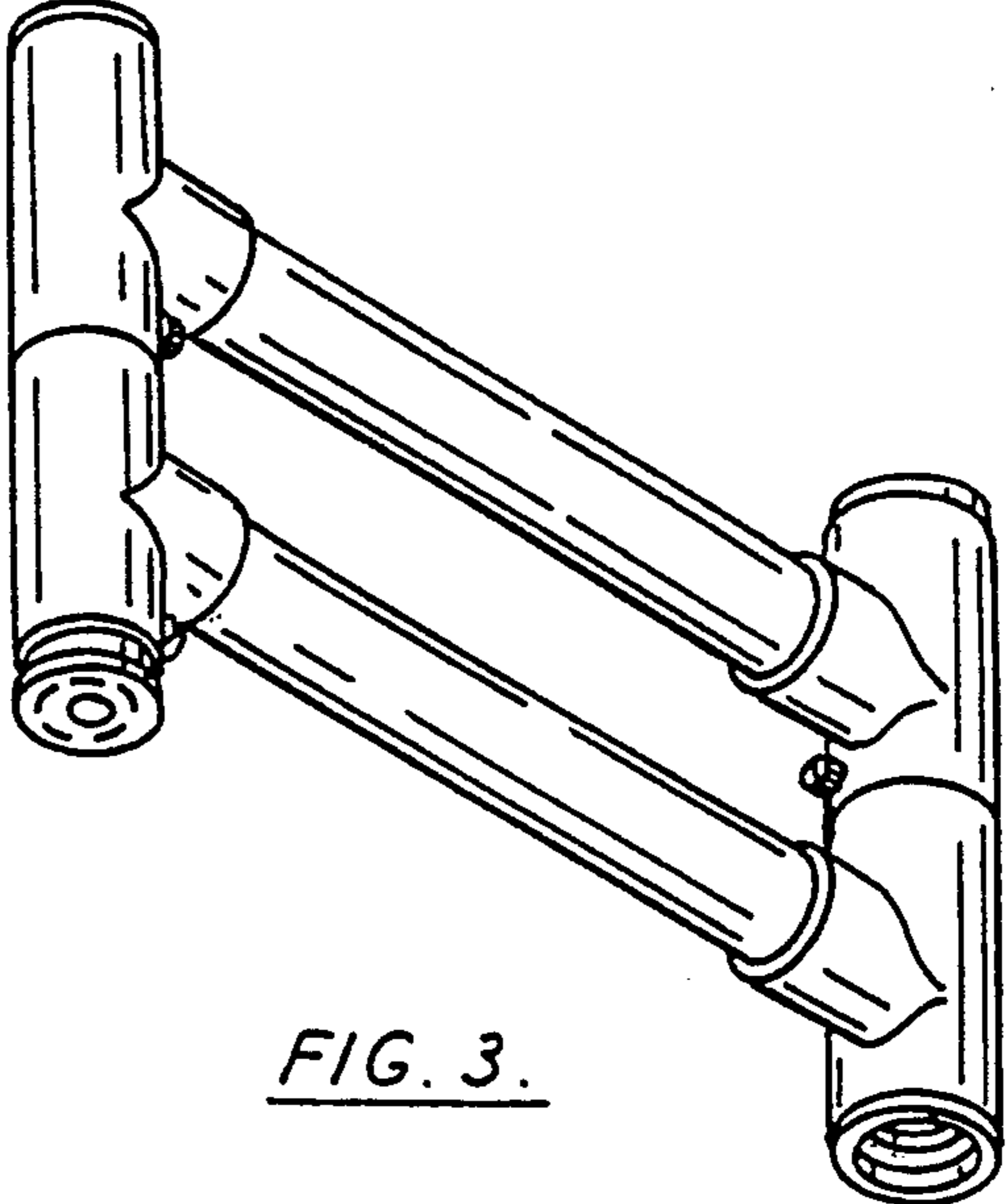


FIG. 3.

FIG. 4.

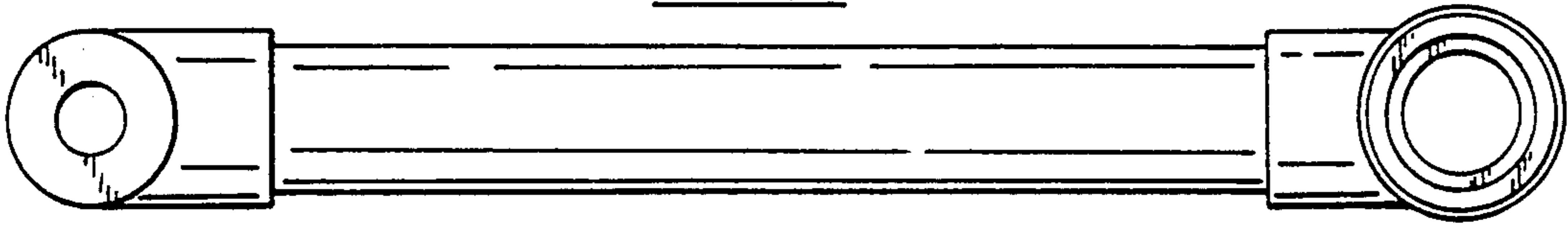


FIG. 5.

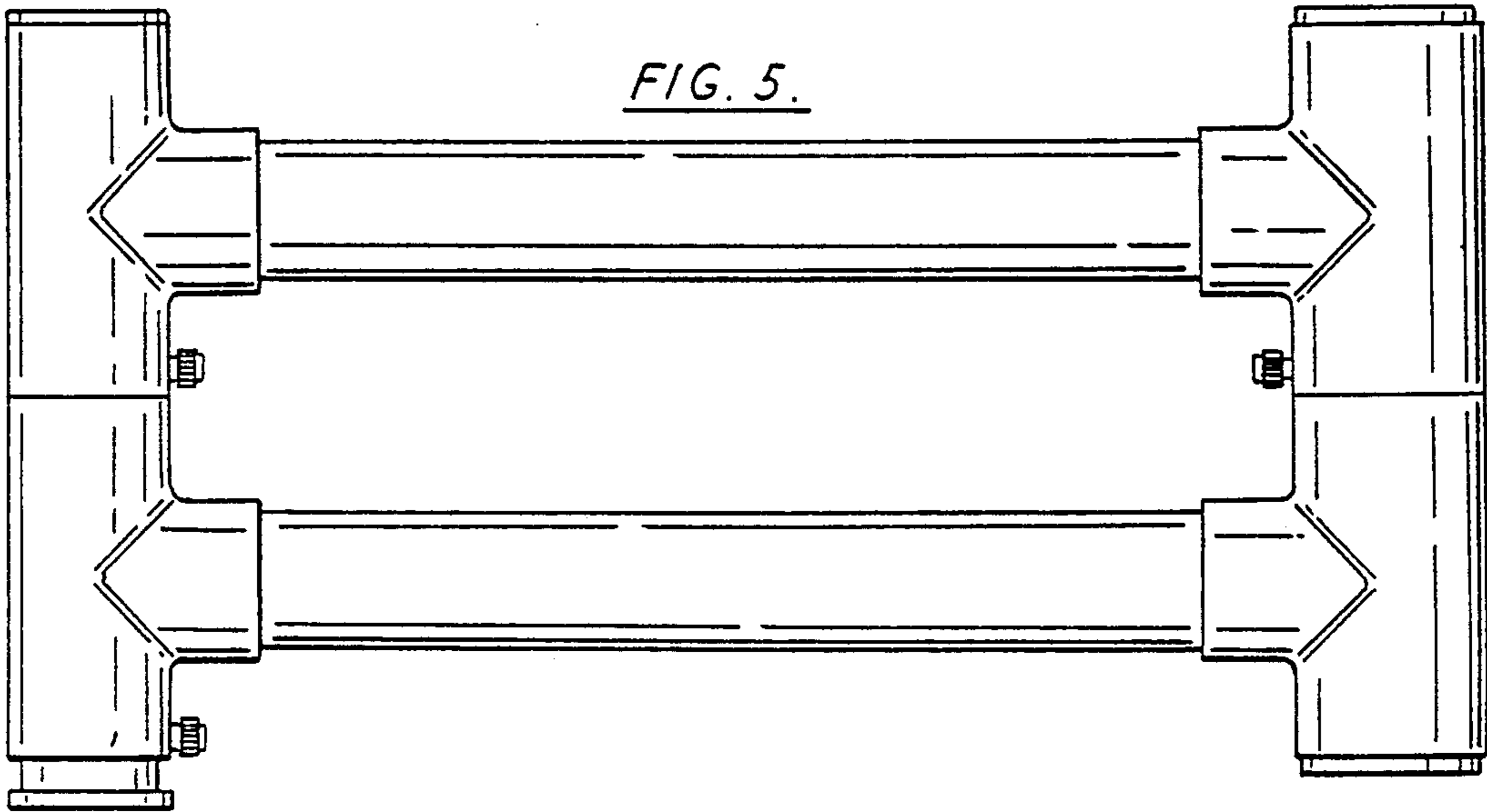


FIG. 6.

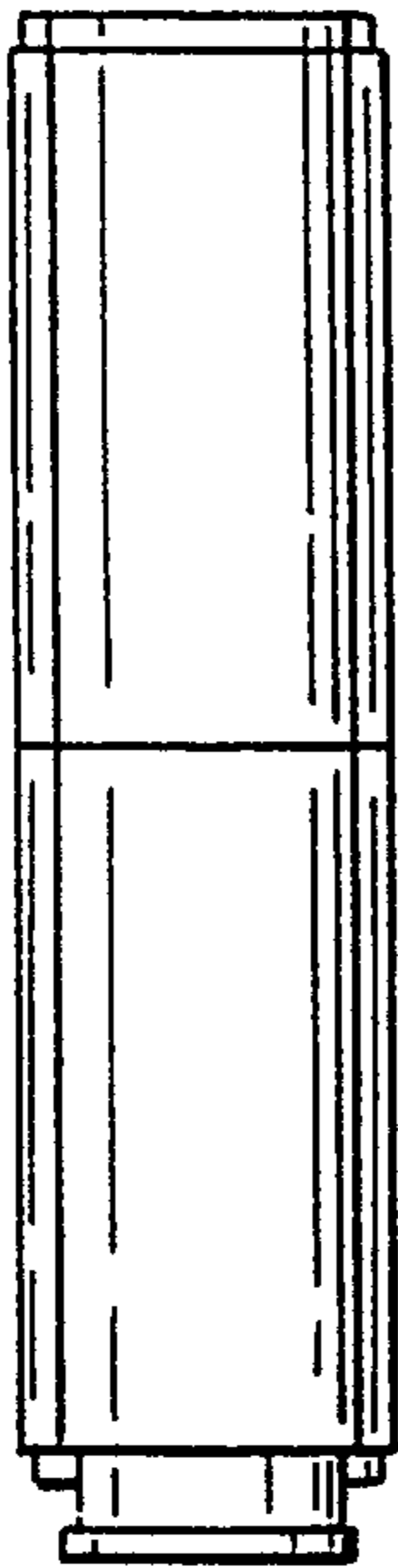


FIG. 7.

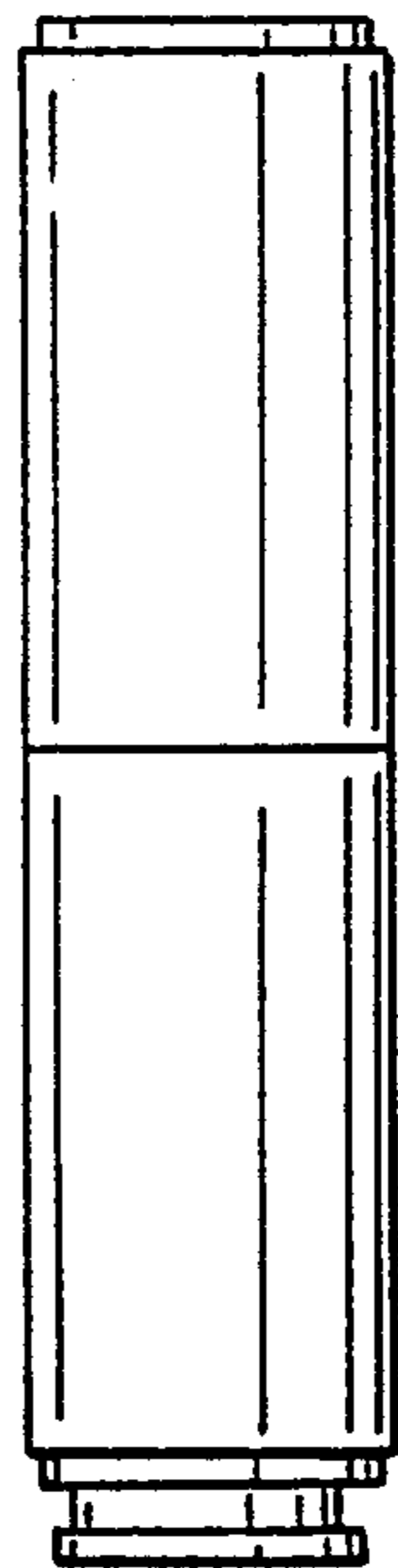


FIG. 8.

