



US00D329760S

United States Patent [19]

[11] Patent Number: **Des. 329,760**

Greutmann et al.

[45] Date of Patent: **** Sep. 29, 1992**

[54] COMBINED STORAGE SHELF AND SLIDABLE CABINET UNIT

[75] Inventors: **Urs Greutmann; Carmen Greutmann,**
both of Zürich, Switzerland

[73] Assignee: **Denz Design, Kempten, Switzerland**

[**] Term: **14 Years**

[21] Appl. No.: **499,826**

[22] Filed: **Mar. 26, 1990**

[30] Foreign Application Priority Data

Sep. 25, 1989 [CH] Switzerland 117,742

[52] U.S. Cl. **D6/397**

[58] Field of Search **D6/432-439,**
D6/470-472, 396, 477-479, 484, 422-428;
108/111; 312/194-196

[56] References Cited

U.S. PATENT DOCUMENTS

D. 283,184 4/1986 Saporiti D6/436

OTHER PUBLICATIONS

Abitare Supplement Mar. 1982, p. 39; Cabinet/storage unit on page.

Primary Examiner—Carmen H. Vales-Lado
Attorney, Agent, or Firm—Peter K. Kontler

[57] CLAIM

The ornamental design for a combined storage shelf and slidable cabinet unit, as shown and described.

DESCRIPTION

FIG. 1 is a front elevational view of a combined storage shelf and slidable cabinet unit showing our new design; FIG. 2 is a right side elevational view, the left side being identical thereto;

FIG. 3 is a top plan view thereof;

FIG. 4 is a rear elevational view thereof;

FIG. 5 is a perspective view of a modified form of the combined storage shelf and slidable cabinet unit shown in FIG. 1; and,

FIG. 6 is a front elevational view thereof.

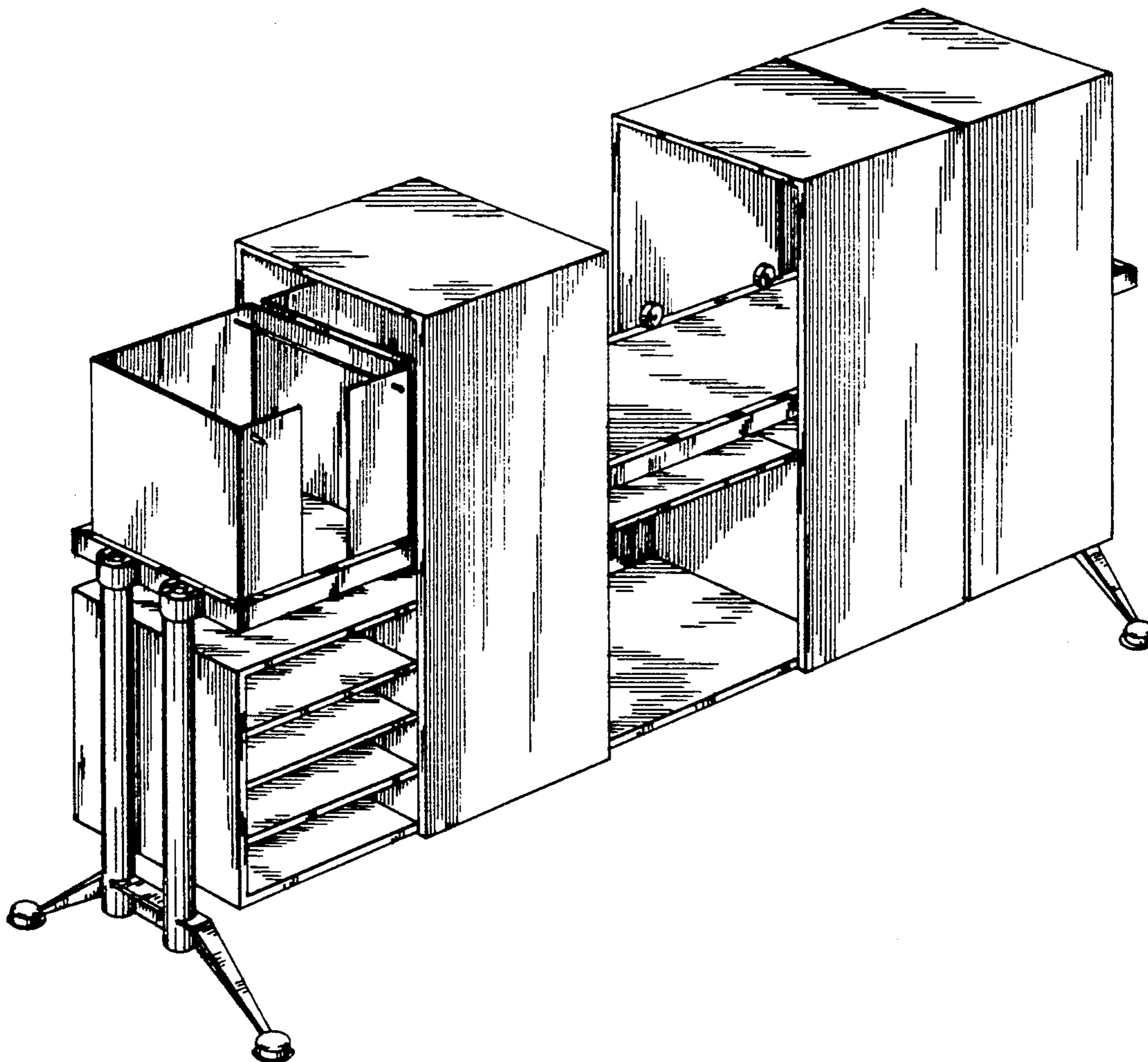


FIG. 1

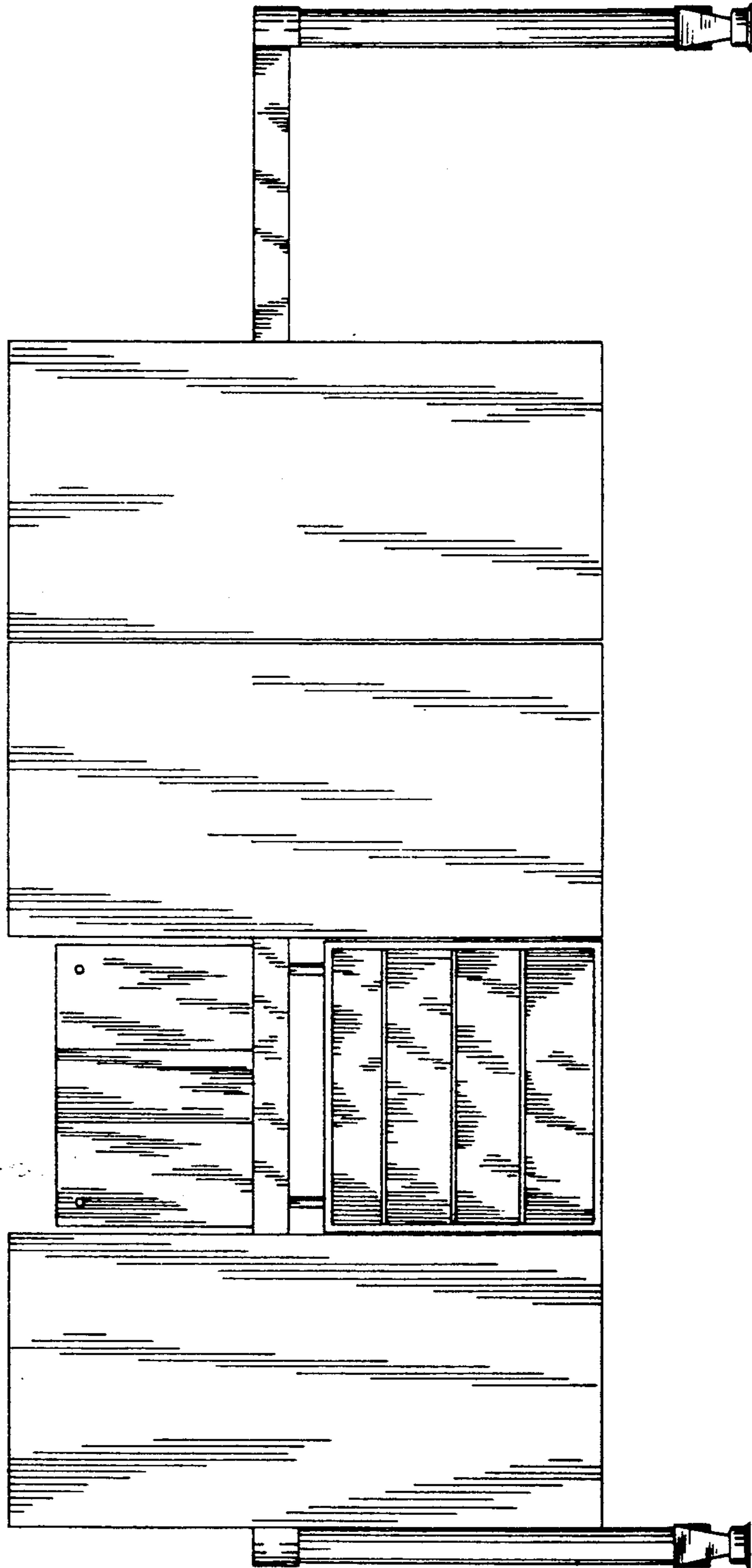


FIG. 2

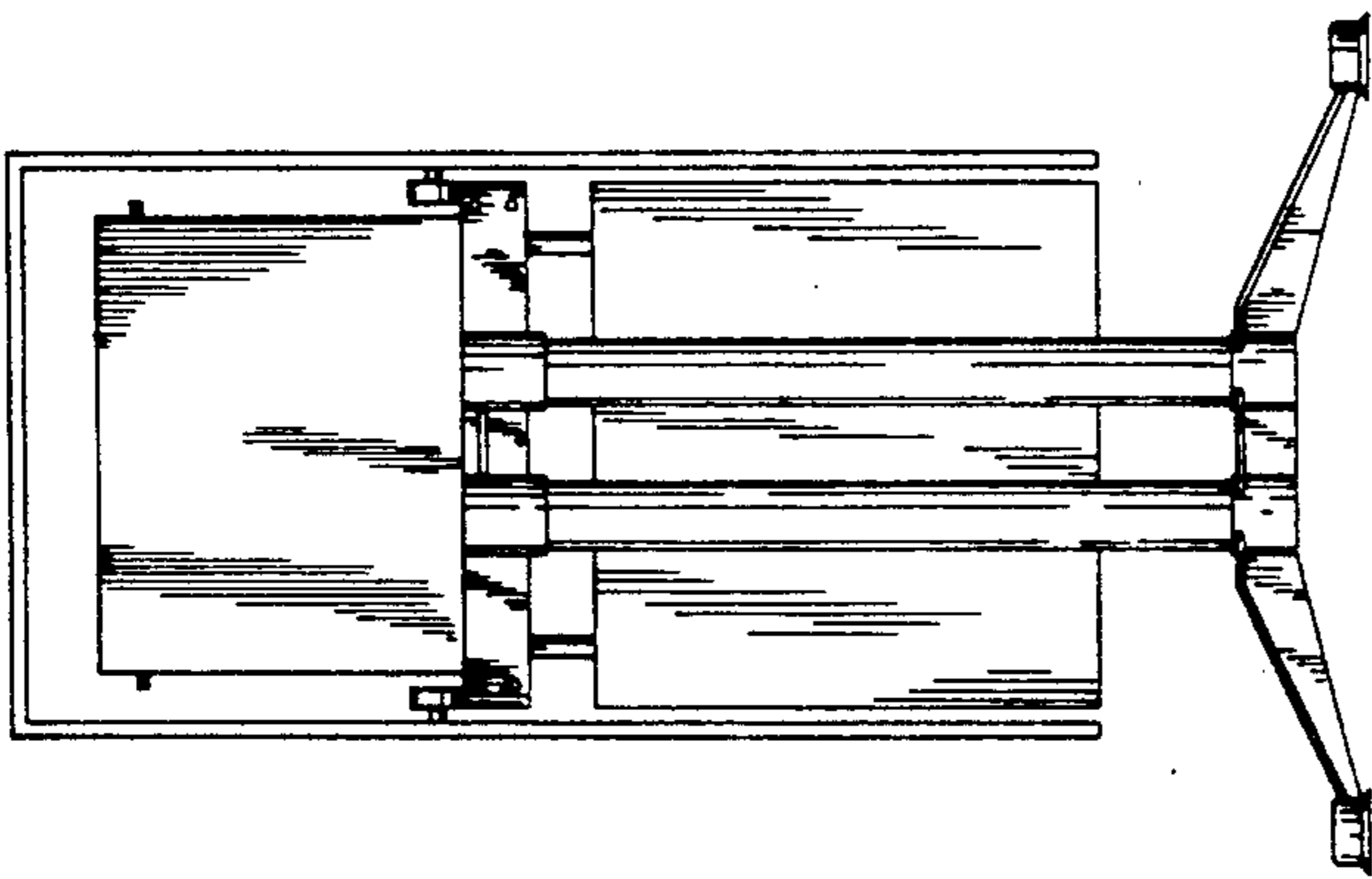


FIG. 3

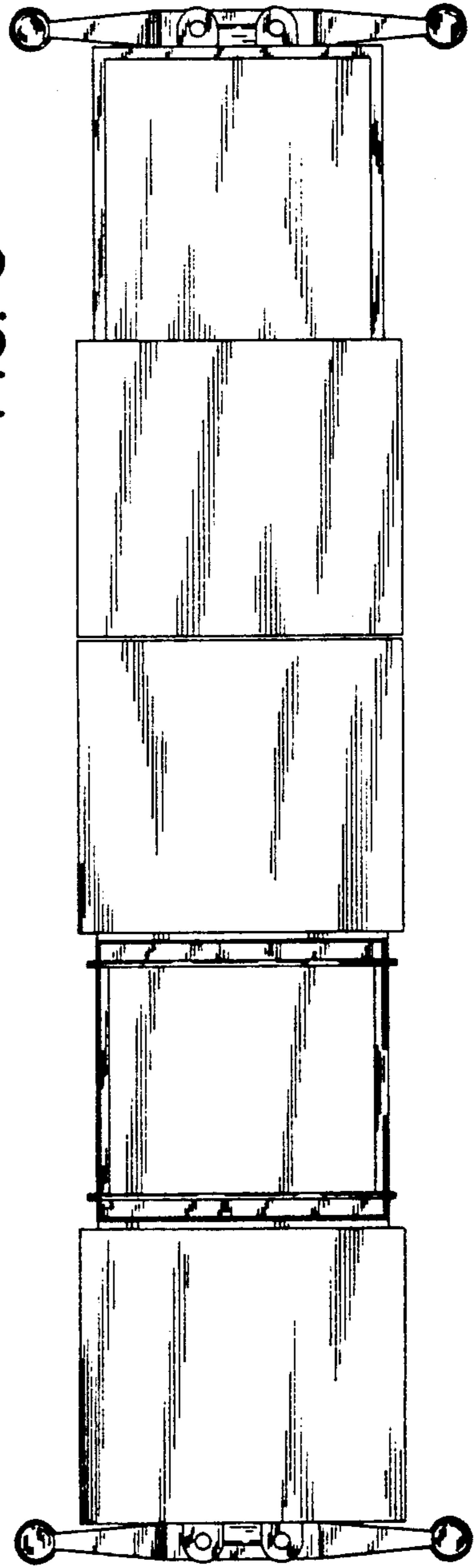
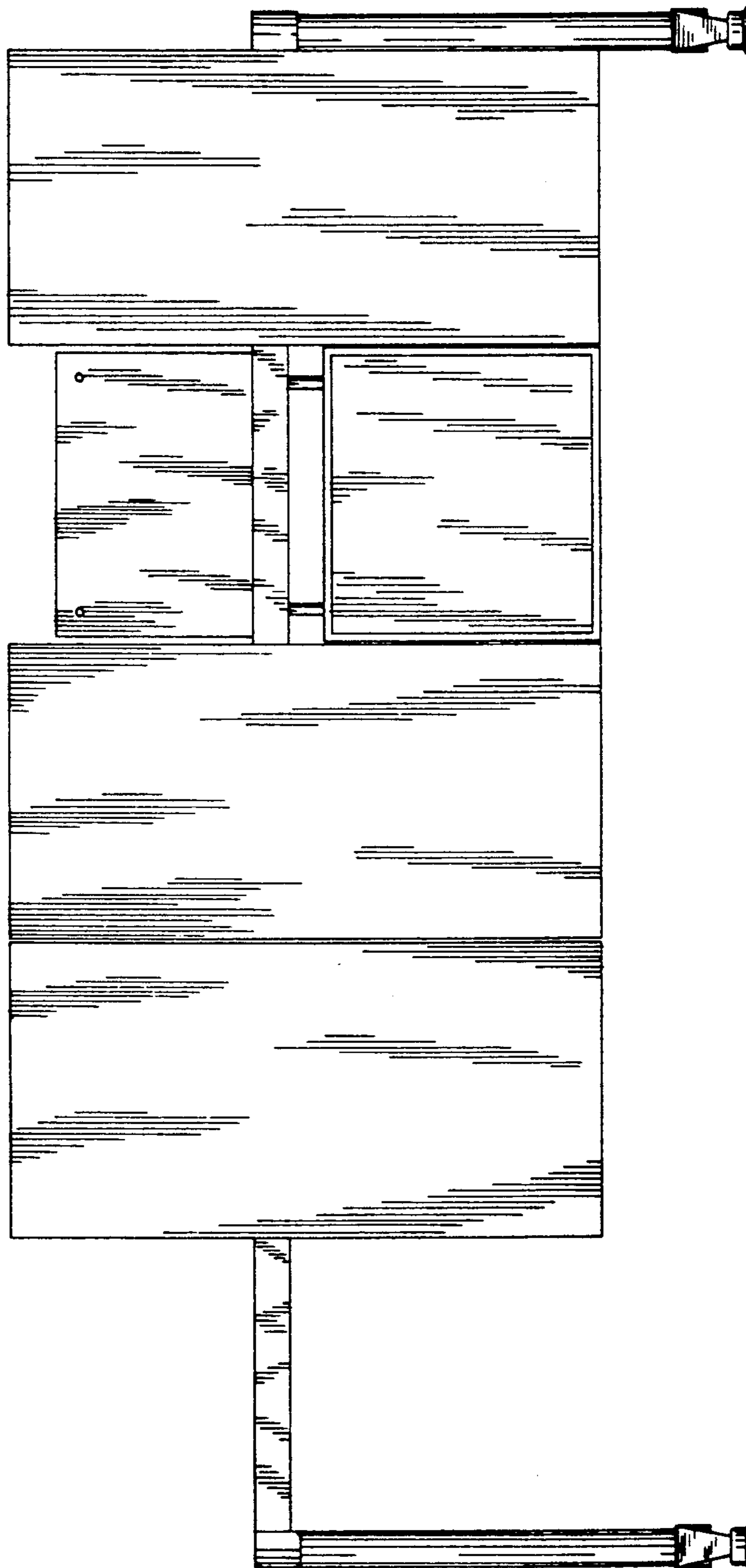


FIG. 4



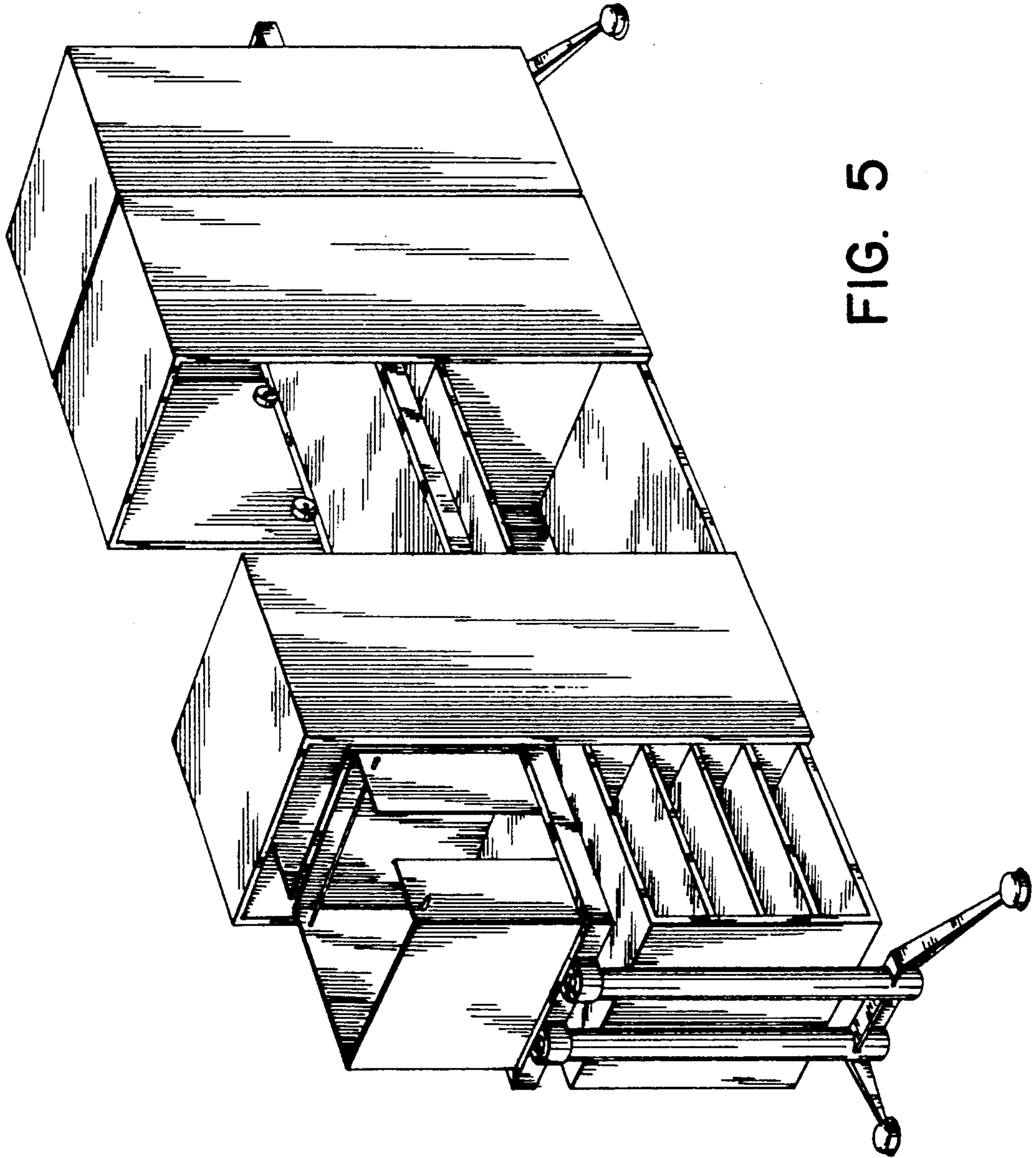


FIG. 6

