



US00D329757S

United States Patent [19]
Meeker

[11] **Patent Number: Des. 329,757**
[45] **Date of Patent: ** Sep. 29, 1992**

[54] **CHILD'S ROCKER**

[75] **Inventor: Paul K. Meeker**, 113 W. Mennonite Rd., Aurora, Ohio 44202

[73] **Assignee: Paul K. Meeker**, Aurora, Ohio

[**] **Term: 14 Years**

[21] **Appl. No.: 422,916**

[22] **Filed: Oct. 16, 1989**

[52] **U.S. Cl. D6/348; D6/370**

[58] **Field of Search D6/334, 344, 348, 351, D6/358, 370, 374, 379, 380, 500, 501**

[56] **References Cited**

U.S. PATENT DOCUMENTS

D. 63,045	9/1923	Strickland	D6/348
D. 289,234	4/1987	Hoult	D6/348
D. 301,091	5/1989	Kimball	D6/348
D. 302,216	7/1989	Roland	D6/348

D. 319,929	9/1991	Smith	D6/348
5,000,514	3/1991	Hanson	D6/348 X

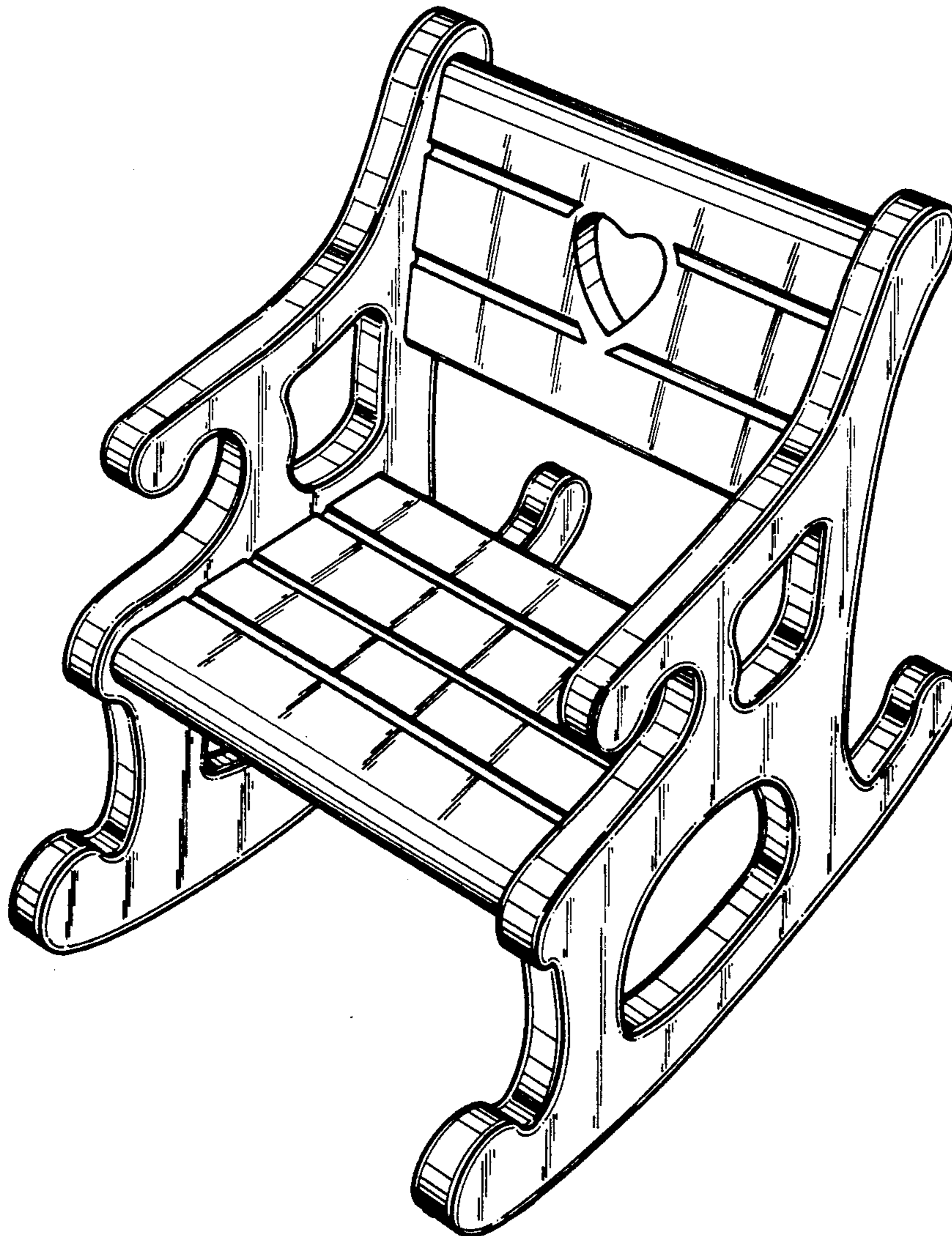
Primary Examiner—Donald P. Walsh
Assistant Examiner—Gary D. Watson

[57] **CLAIM**

The ornamental design for a child's rocker, as shown and described.

DESCRIPTION

FIG. 1 is a right-front perspective view of a child's rocker showing my new design;
FIG. 2 is a front perspective view;
FIG. 3 is a right side perspective view;
FIG. 4 is a rear perspective view;
FIG. 5 is a left side perspective view;
FIG. 6 is a top perspective view; and,
FIG. 7 is a bottom perspective view thereof.
FIGS. 6 and 7 have been drawn to a larger scale with respect to FIGS. 1 through 5.



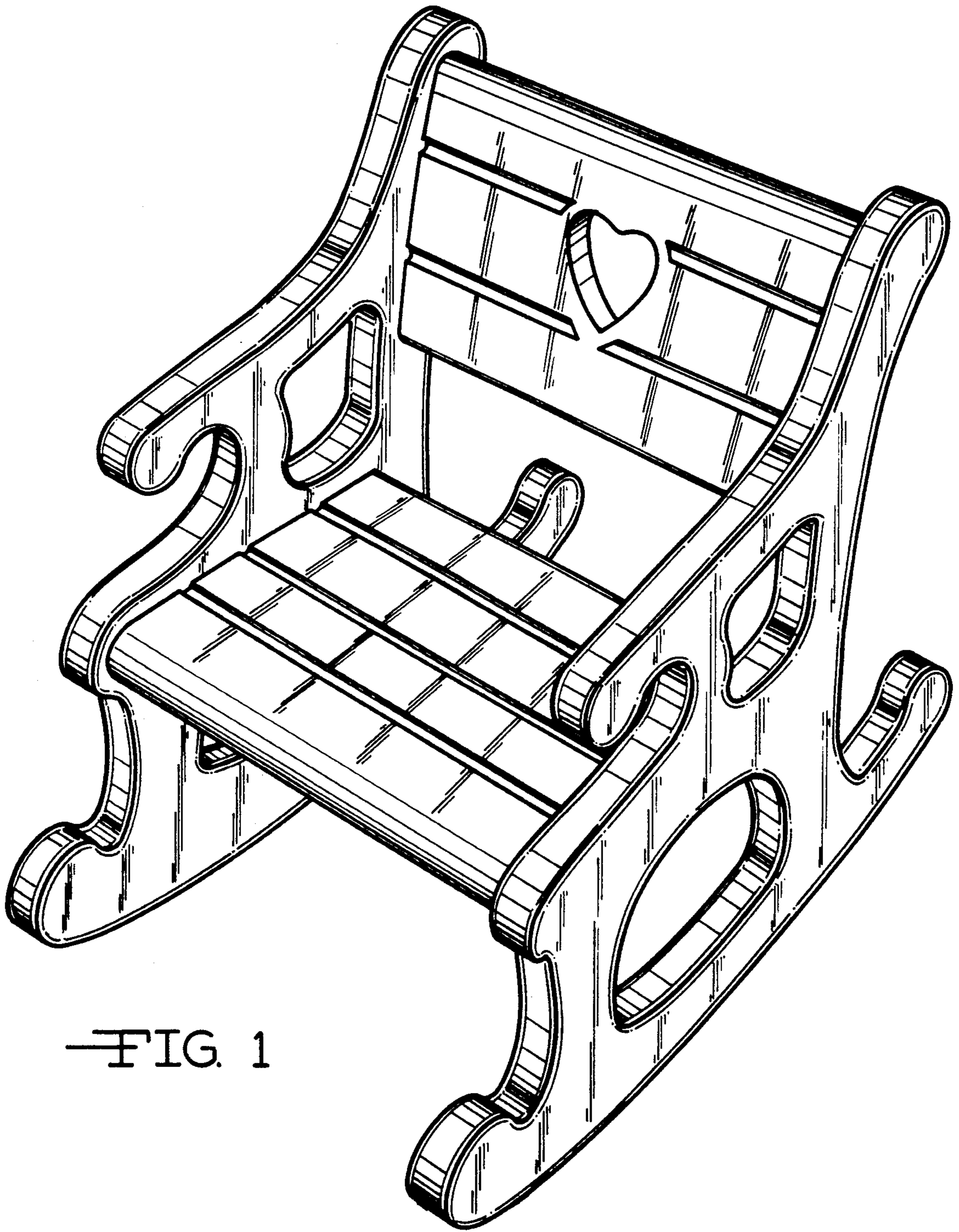
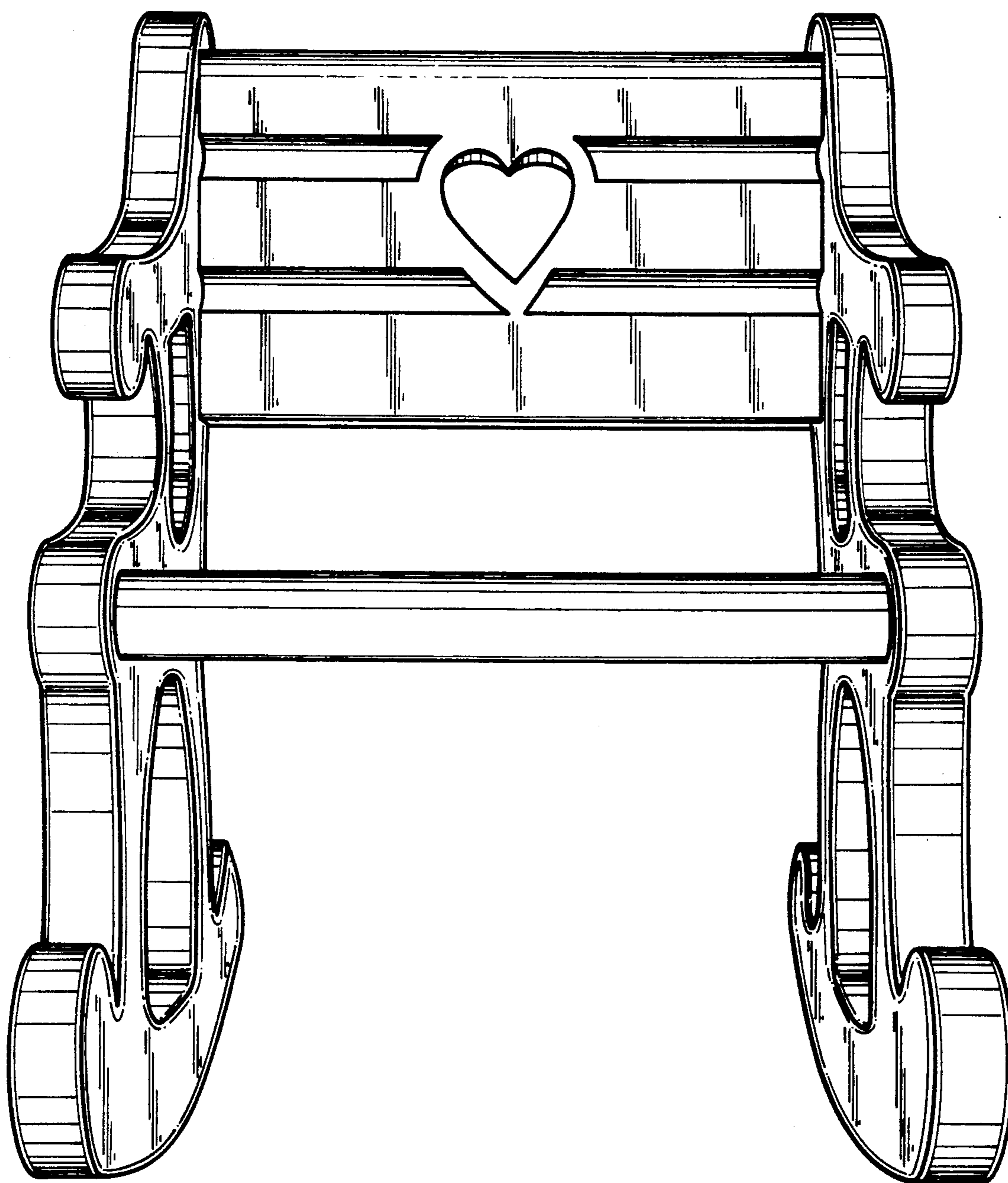
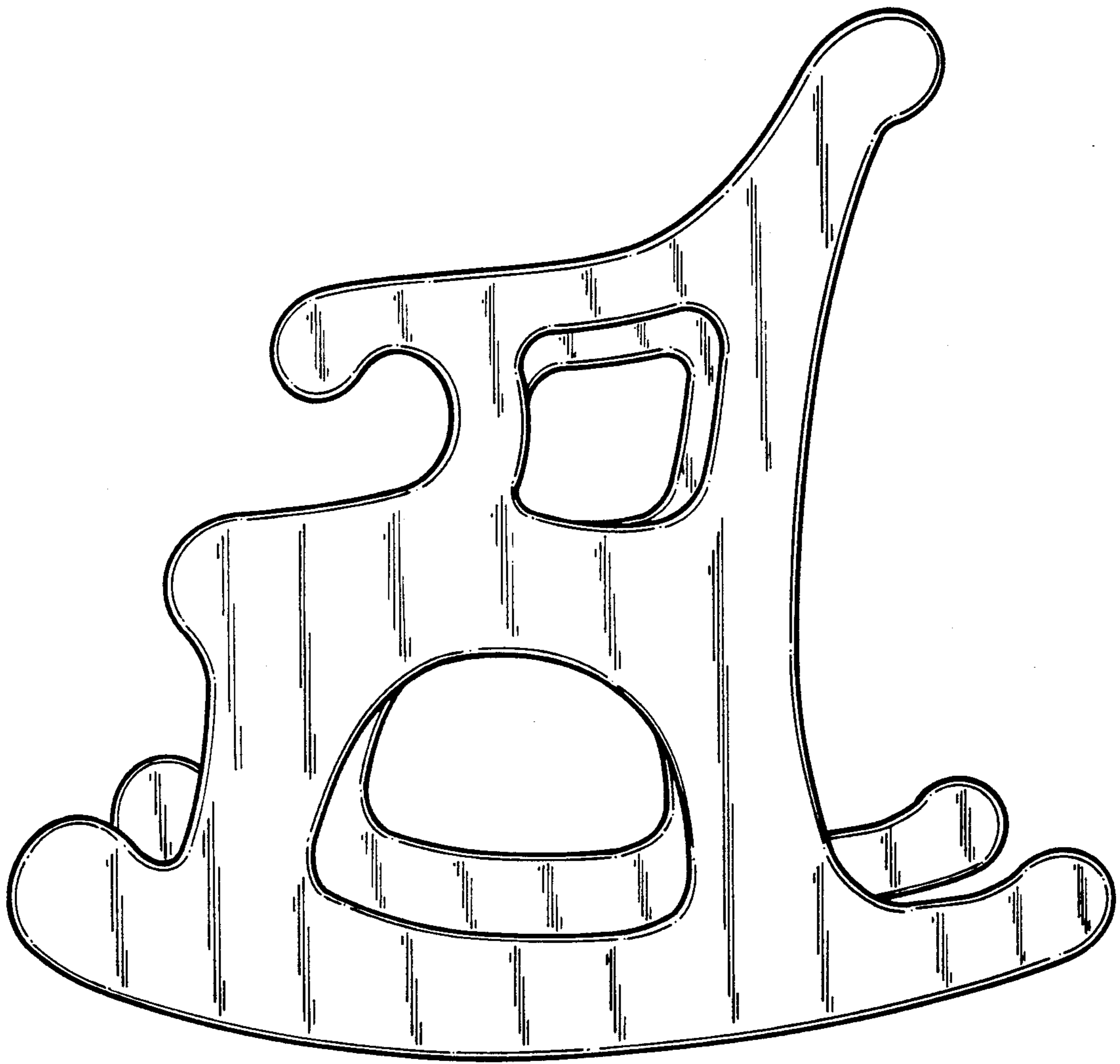


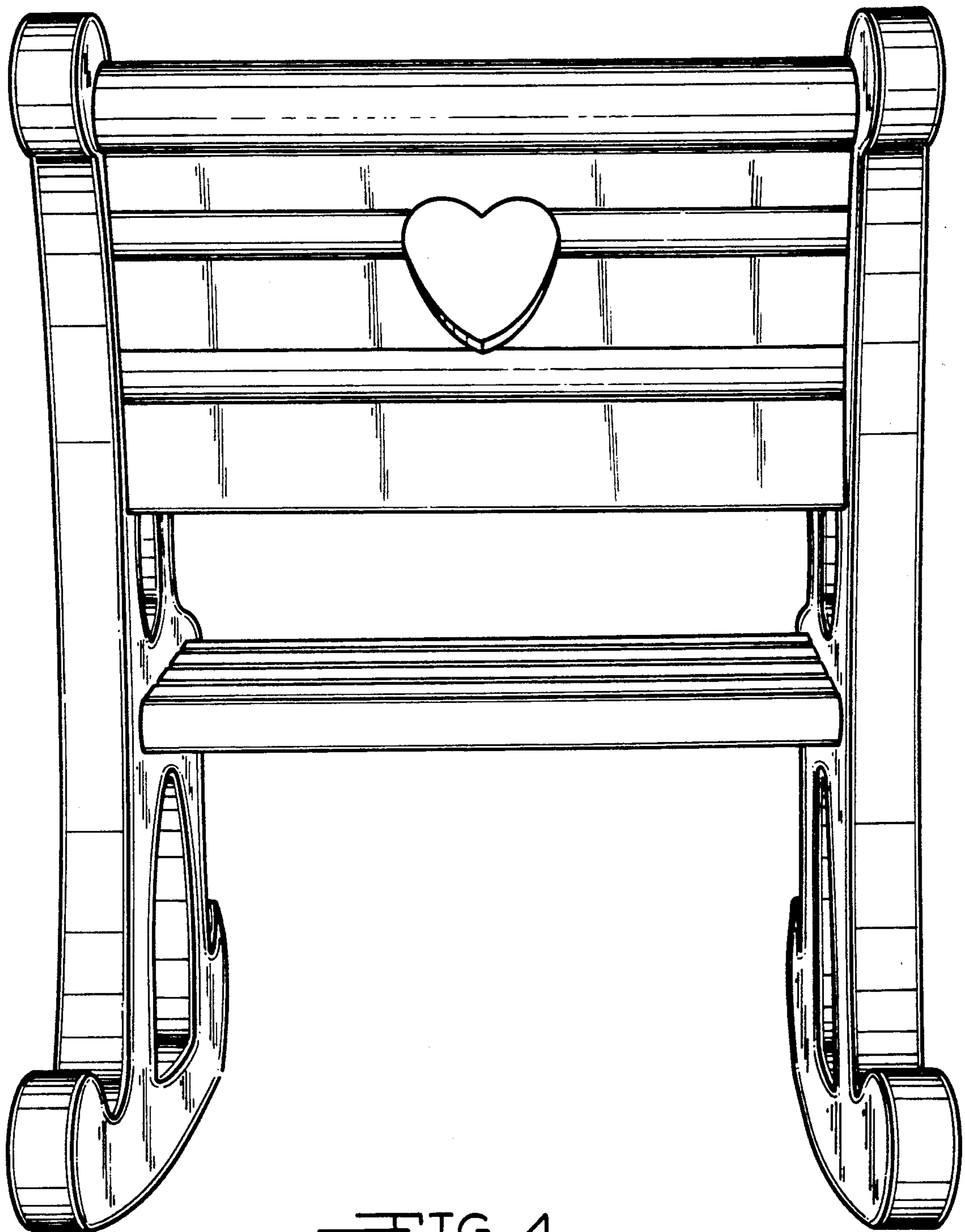
FIG. 1



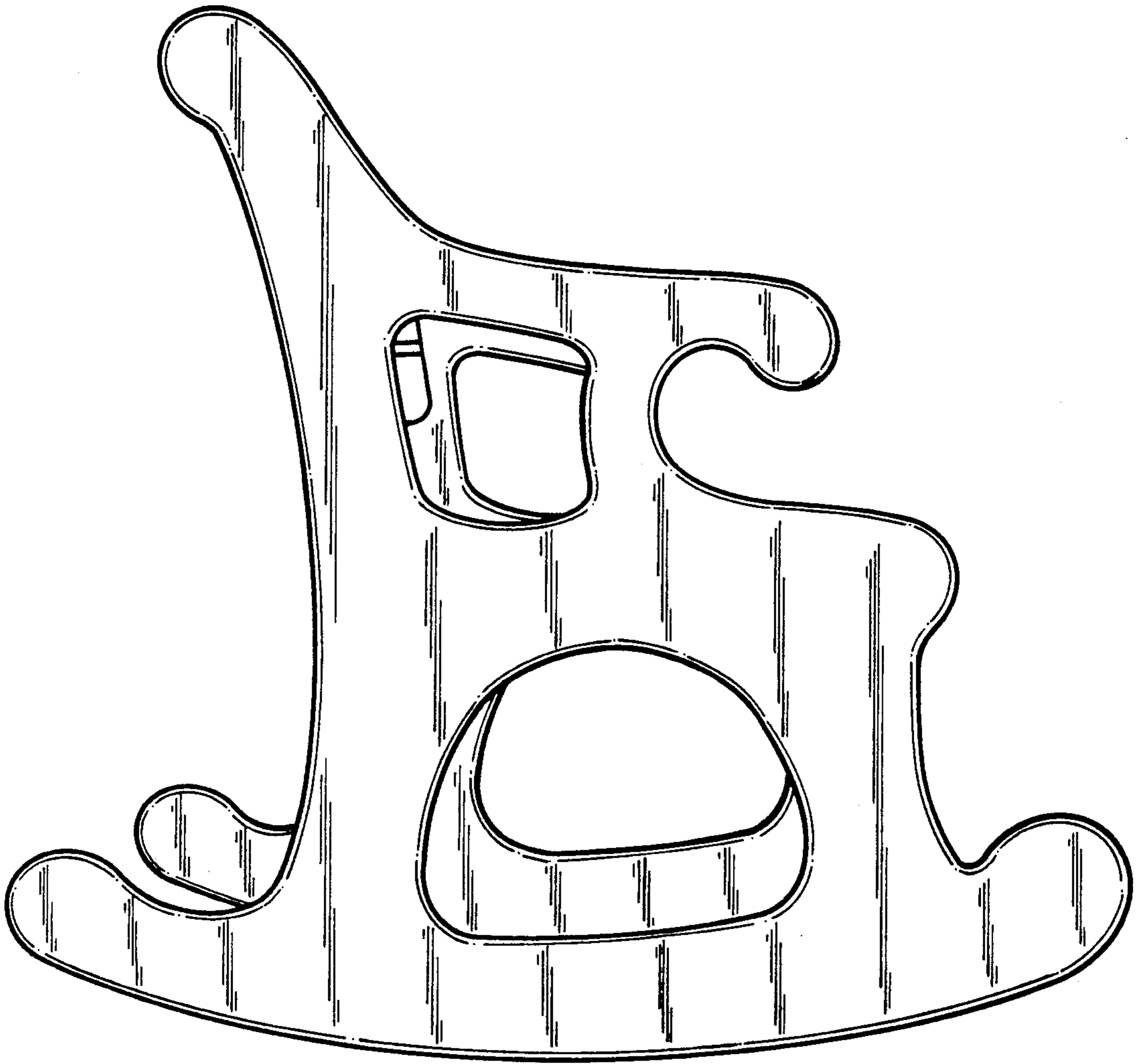
—FIG. 2



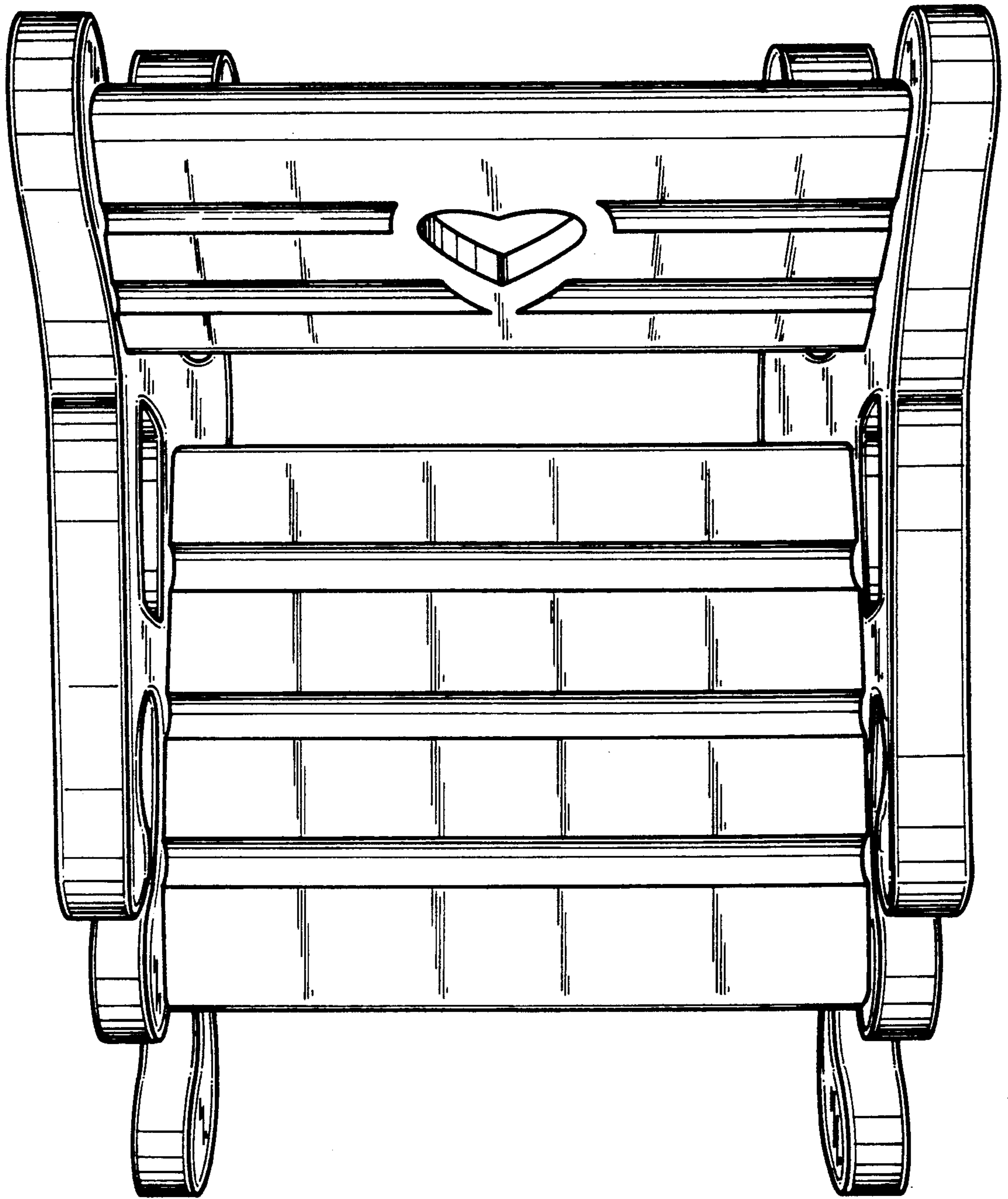
—FIG. 3



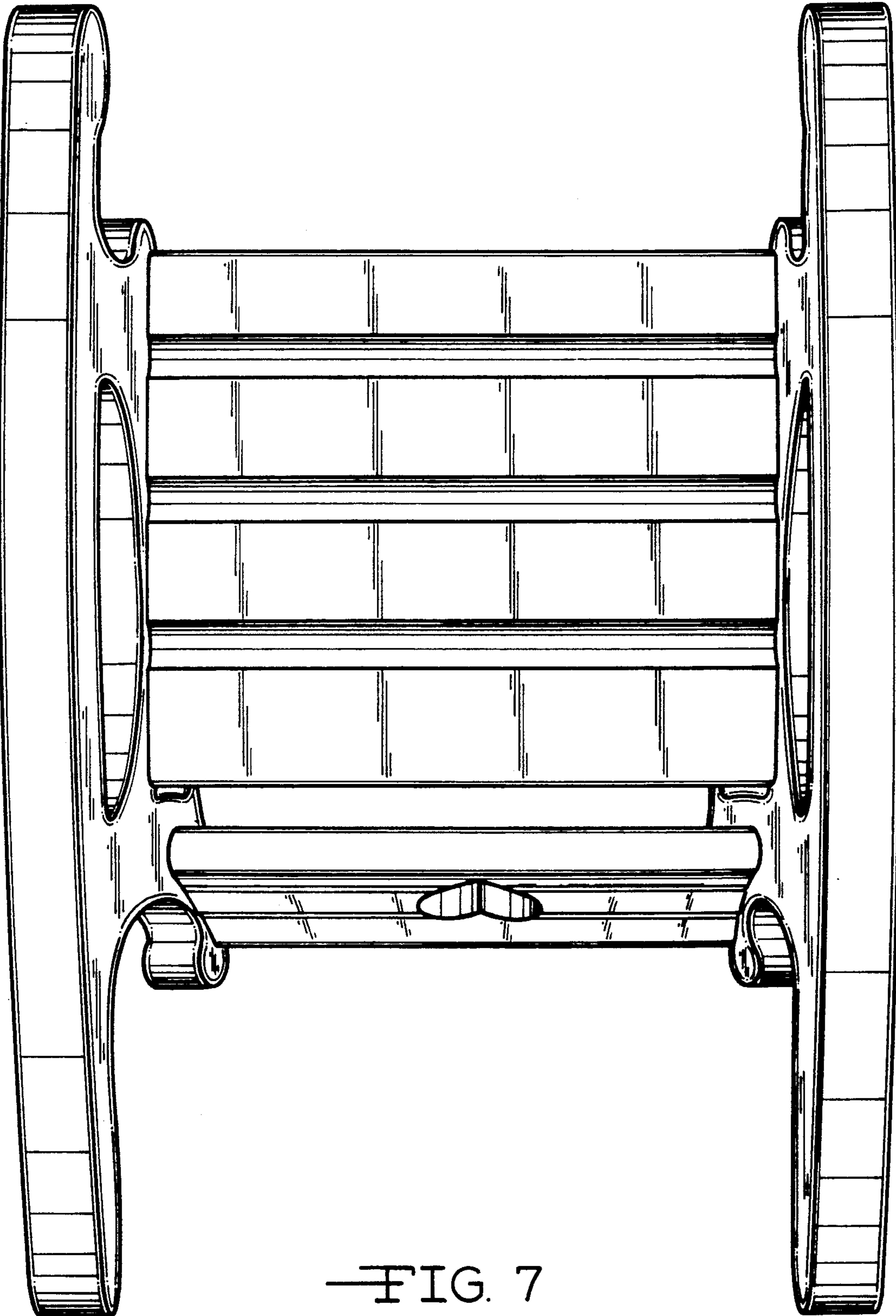
—FIG. 4



—FIG. 5



—FIG. 6



—FIG. 7