



US00D329747S

United States Patent [19]

[11] Patent Number: **Des. 329,747**

Embree

[45] Date of Patent: **** Sep. 29, 1992**

[54] **STORAGE LOCKER**

4,848,626 7/1989 Waters 312/DIG. 33 X

[75] Inventor: **Donald Embree**, Uniontown, Ohio

OTHER PUBLICATIONS

[73] Assignee: **Rubbermaid Incorporated**, Wooster, Ohio

Lewisystems, Jan.-1983, p. 26, container, top of page. Sell Sheet, Delta Inc. of Arkansas, 4800 Kruger Dr., Jonesboro, AR 72401. Publication date Oct. 1988.

[**] Term: **14 Years**

American Dock Company, 13800 172nd Ave., Grand Haven, MI 49417. Publication date unknown.

[21] Appl. No.: **558,841**

Page 27, Follansbee Dock System, State St., P.O. Box 610, Follansbee, WV 26037. Publication data unknown.

[22] Filed: **Jul. 26, 1990**

Sell Sheet, Contico Manufacturing Co., a division of Contico International, 1101 Warson Rd., St. Louis, MO 63132. Publication date unknown.

[52] U.S. Cl. **D3/78; D9/424; D7/605; D3/30.1**

[58] **Field of Search** D3/30.1, 40, 78, 79; D9/424, 425, 337, 423; 206/45.34, 223, 349, 372, 508, 518, 207; 220/23.6, 23.8, DIG. 12; D34/43; 312/DIG. 33; D7/601, 602, 605

Pages 9 and 11, Rubbermaid Incorporated, Specialty Products Division, 6250 N. Honeytown Rd., Smithville, OH 44677.

[56] **References Cited**

Primary Examiner—Bernard Ansher
Assistant Examiner—Prabhakar Deshmukh
Attorney, Agent, or Firm—Richard B. O'Planick

U.S. PATENT DOCUMENTS

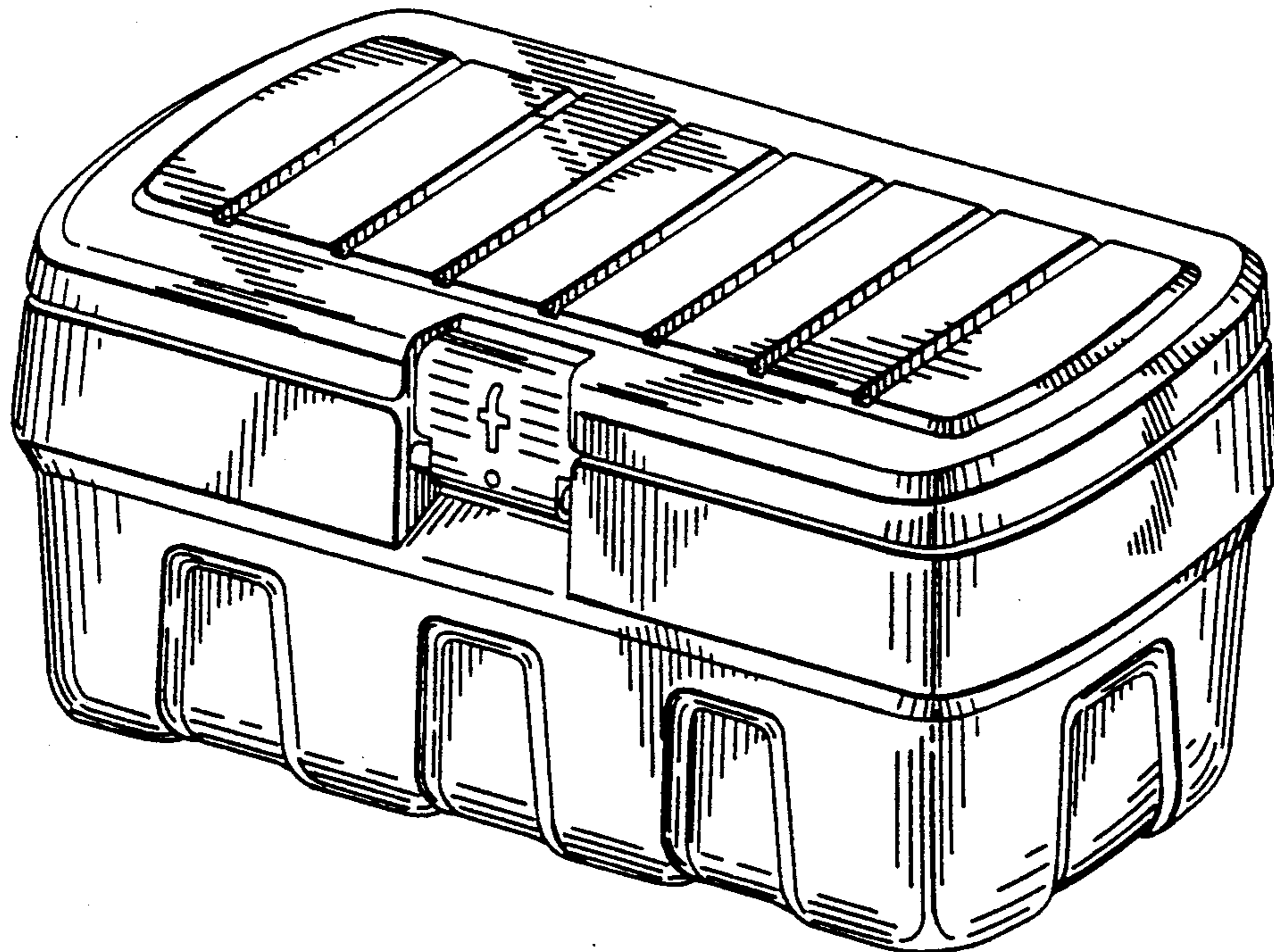
- D. 158,368 5/1930 Felts et al. .
- D. 201,843 8/1965 Johnson D34/43
- D. 237,135 10/1975 Wiant et al. .
- D. 257,934 1/1981 Buss .
- D. 268,979 5/1983 Ruxton D7/605
- D. 286,937 11/1986 Schafer D34/43
- D. 309,106 7/1990 Willson .
- D. 312,573 12/1990 Poirier D9/424
- D. 319,016 8/1991 Kahl D9/424
- 3,416,701 12/1968 Kramer et al. 220/318
- 3,987,829 10/1926 Leone D34/43 X
- 4,488,669 12/1984 Waters .
- 4,674,665 6/1987 Van Kirk .
- 4,696,412 9/1987 McGowan et al. .

[57] **CLAIM**

The ornamental design for a storage locker, as shown and described.

DESCRIPTION

FIG. 1 is a right front perspective view of a storage locker embodying my new design;
FIG. 2 is a side elevational view thereof; the opposite side being a mirror image;
FIG. 3 is a front elevational view thereof;
FIG. 4 is a rear elevational view thereof;
FIG. 5 is a top plan view thereof; and,
FIG. 6 is a bottom plan view thereof.



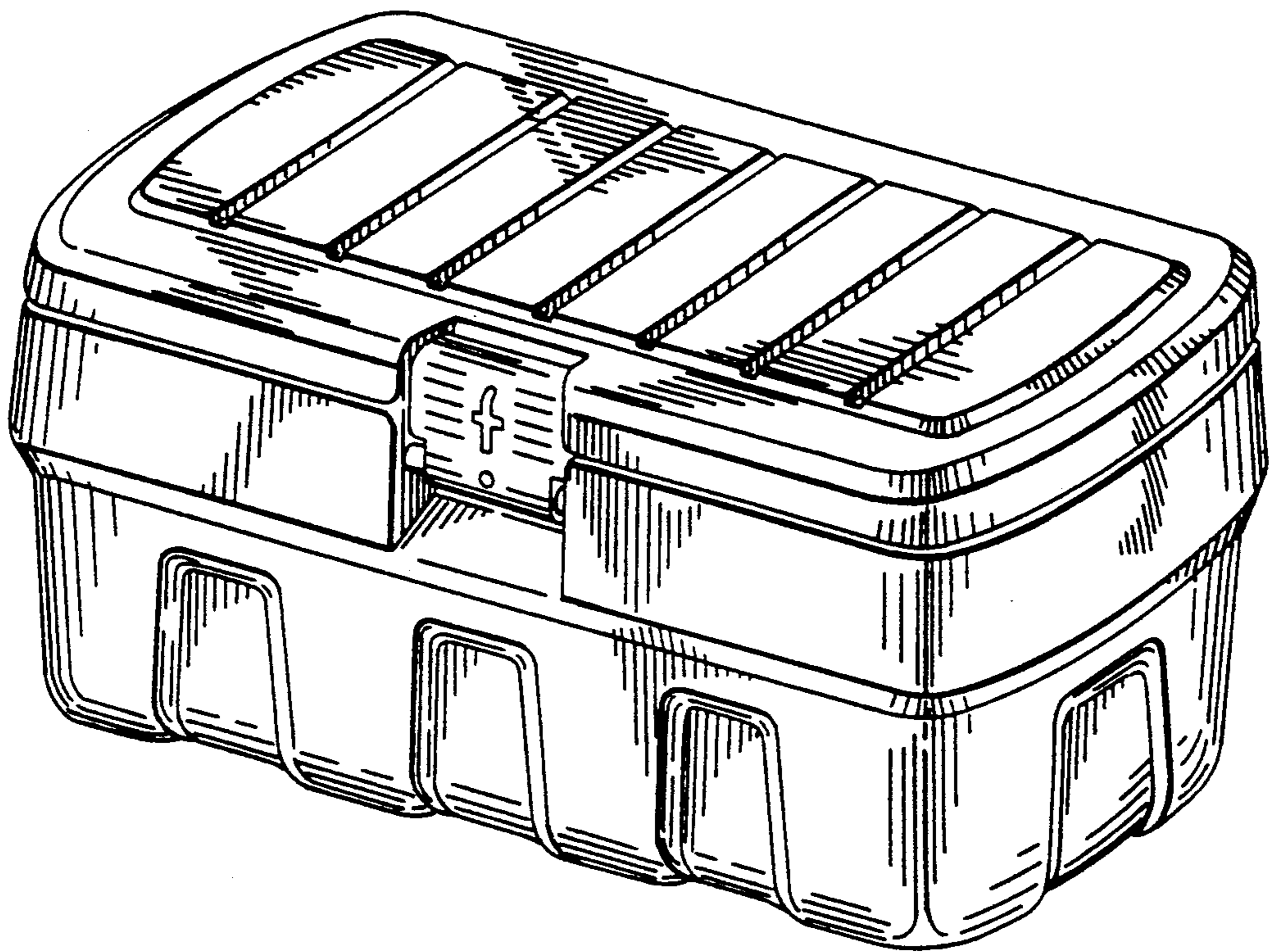


FIG. 1

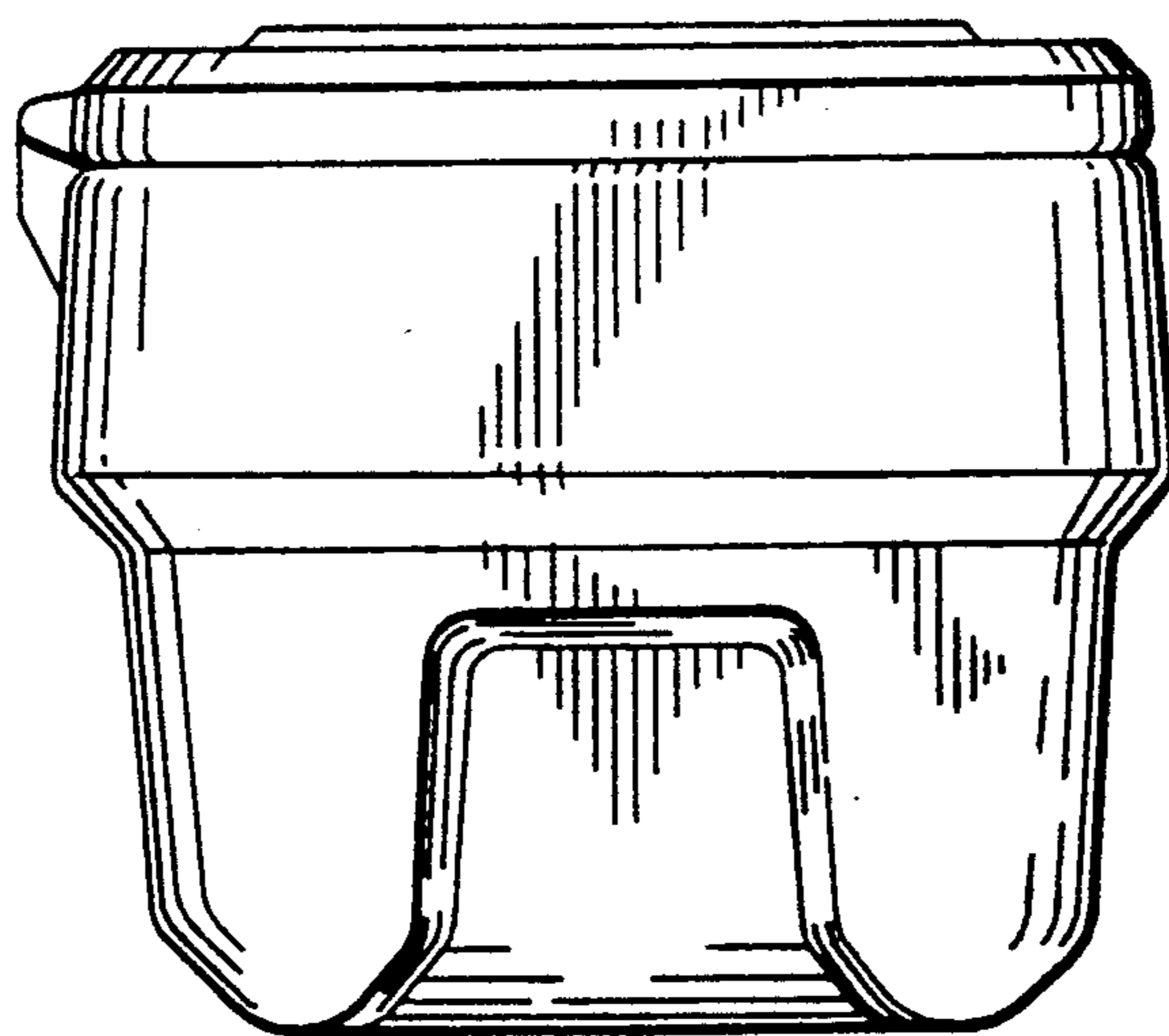


FIG. 2

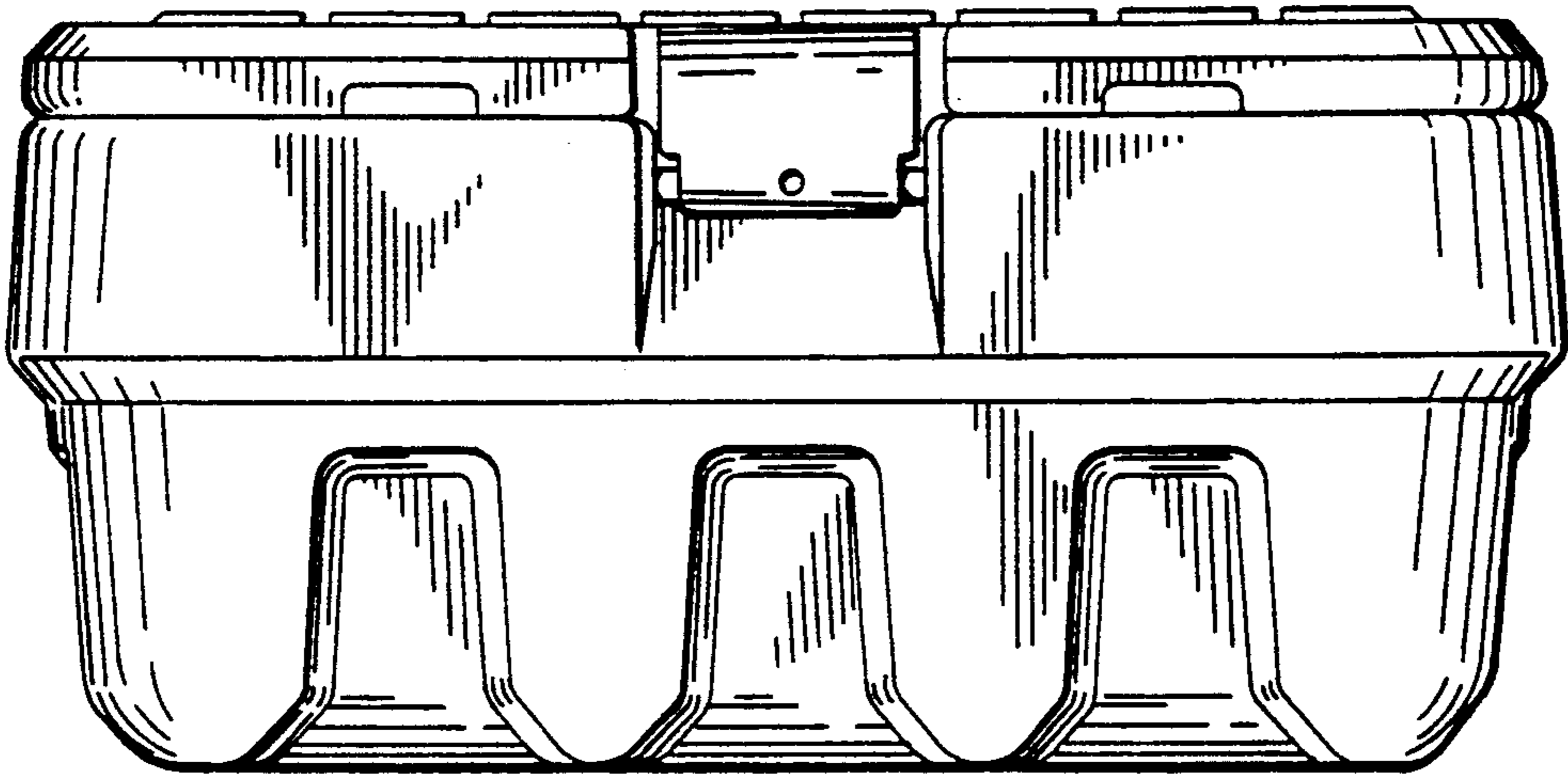


FIG. 3

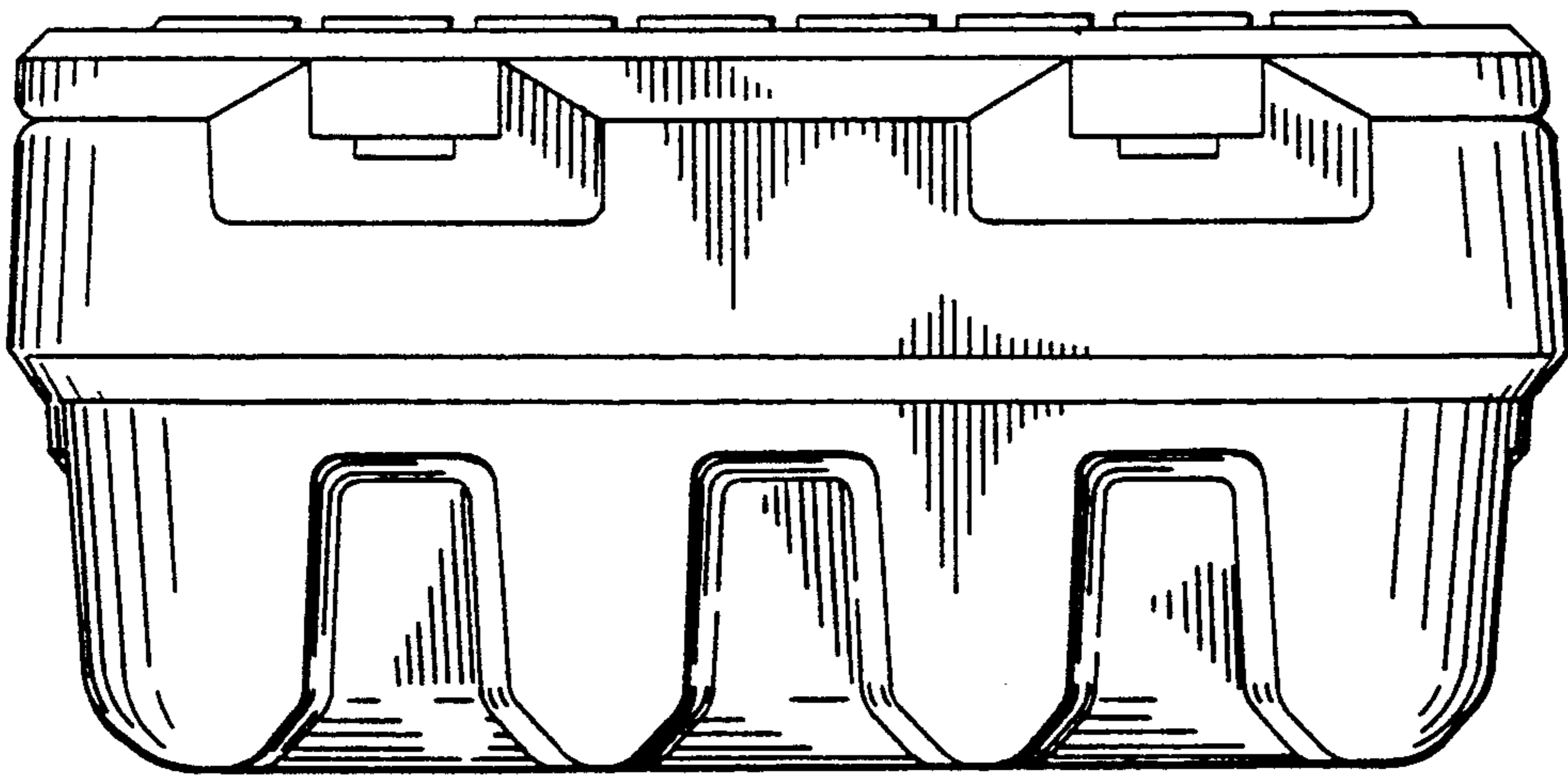


FIG. 4

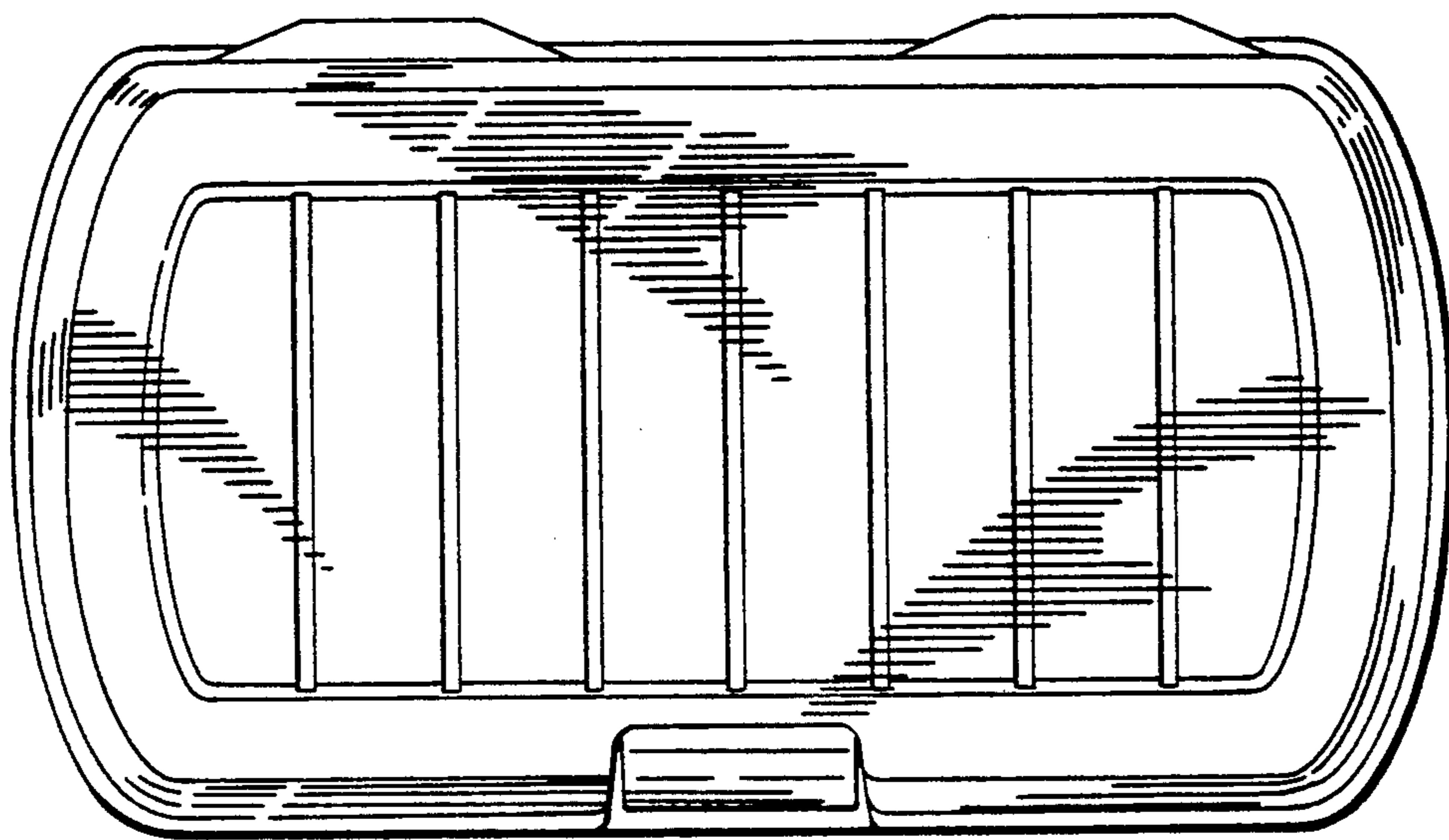


FIG. 5

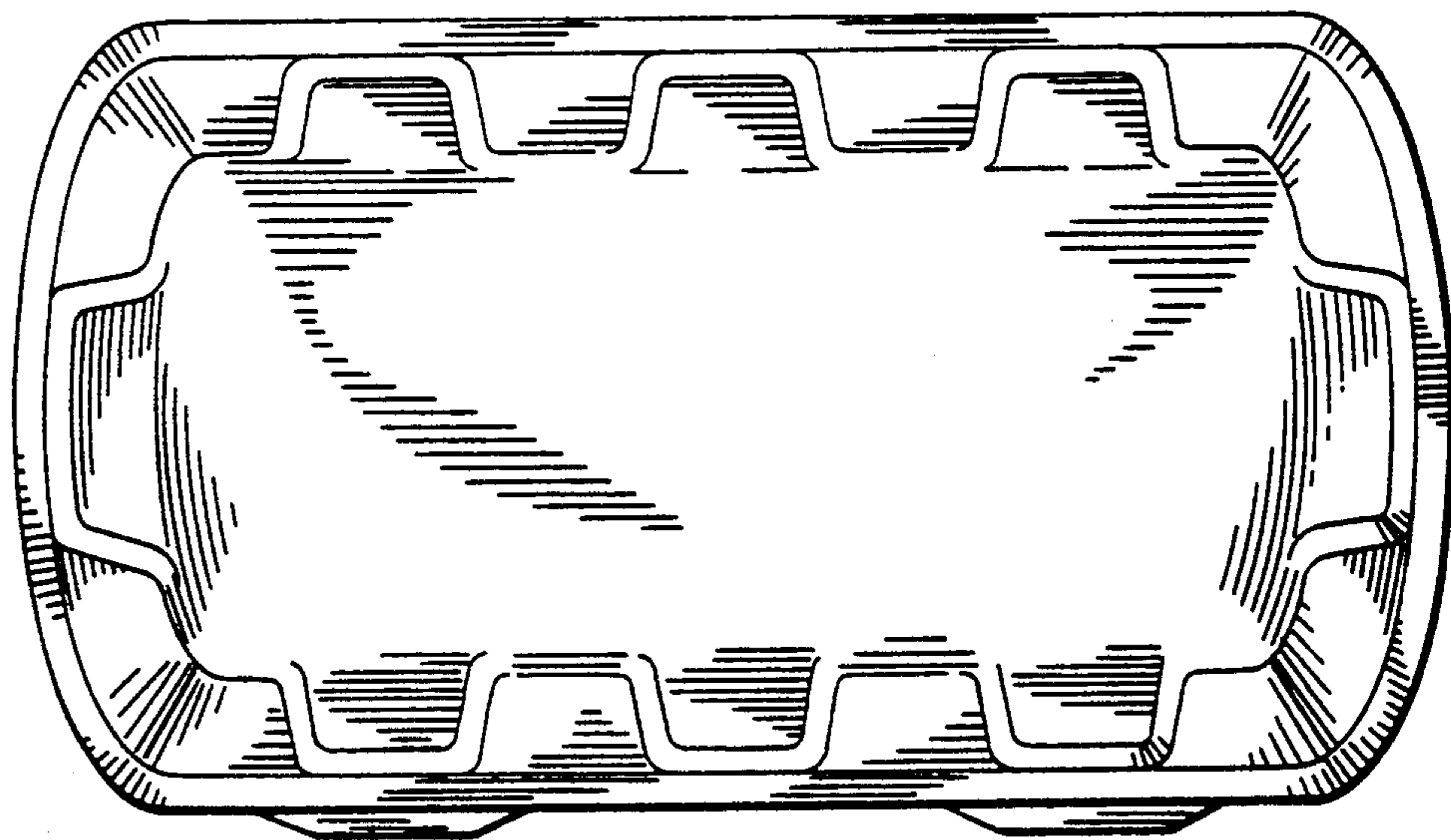


FIG. 6