



US00D329745S

# United States Patent [19] O'Brien

[11] Patent Number: **Des. 329,745**

[45] Date of Patent: **\*\* Sep. 29, 1992**

[54] **PERSONAL ORGANISER**

[76] Inventor: **Dermot C. O'Brien**, 34 Roland Gardens, London SW7 3PL, England

[\*\*] Term: **14 Years**

[21] Appl. No.: **474,592**

[22] Filed: **Feb. 1, 1990**

[30] **Foreign Application Priority Data**

Aug. 9, 1989 [GB] United Kingdom ..... 2000229  
[52] U.S. Cl. .... **D3/56; D19/27**  
[58] Field of Search ..... **D3/56-60; D19/26, 27; 150/131-135, 137-145, 147-149; 281/29, 31; 402/80 R**

[56] **References Cited**

**U.S. PATENT DOCUMENTS**

D. 182.060 2/1958 Chase ..... D19/27 X  
D. 202.756 11/1965 Schlessinger ..... D19/26 X

D. 226.880 5/1973 Wetmore ..... D19/27 X  
D. 248.106 6/1978 Moses ..... D19/26  
D. 285.809 9/1986 Sindler ..... D3/58  
D. 303.809 10/1989 Klein ..... D3/56  
4,296,945 10/1981 Pavlik ..... 150/135 X  
4,765,462 8/1988 Rose, Jr. .... D19/27 X

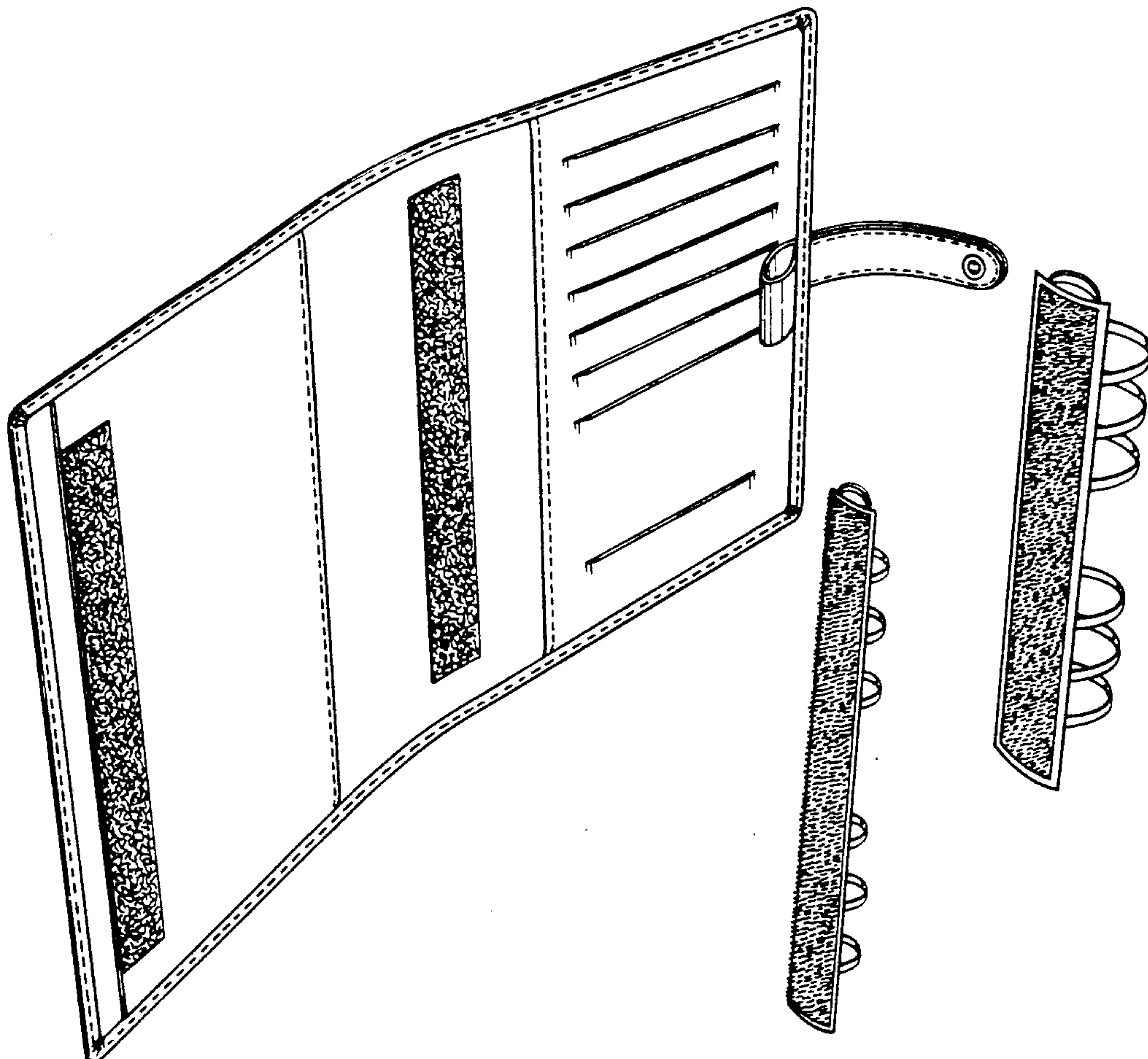
*Primary Examiner*—Louis S. Zarfaz  
*Attorney, Agent, or Firm*—Sughrue, Mion, Zinn, Macpeak & Seas

[57] **CLAIM**

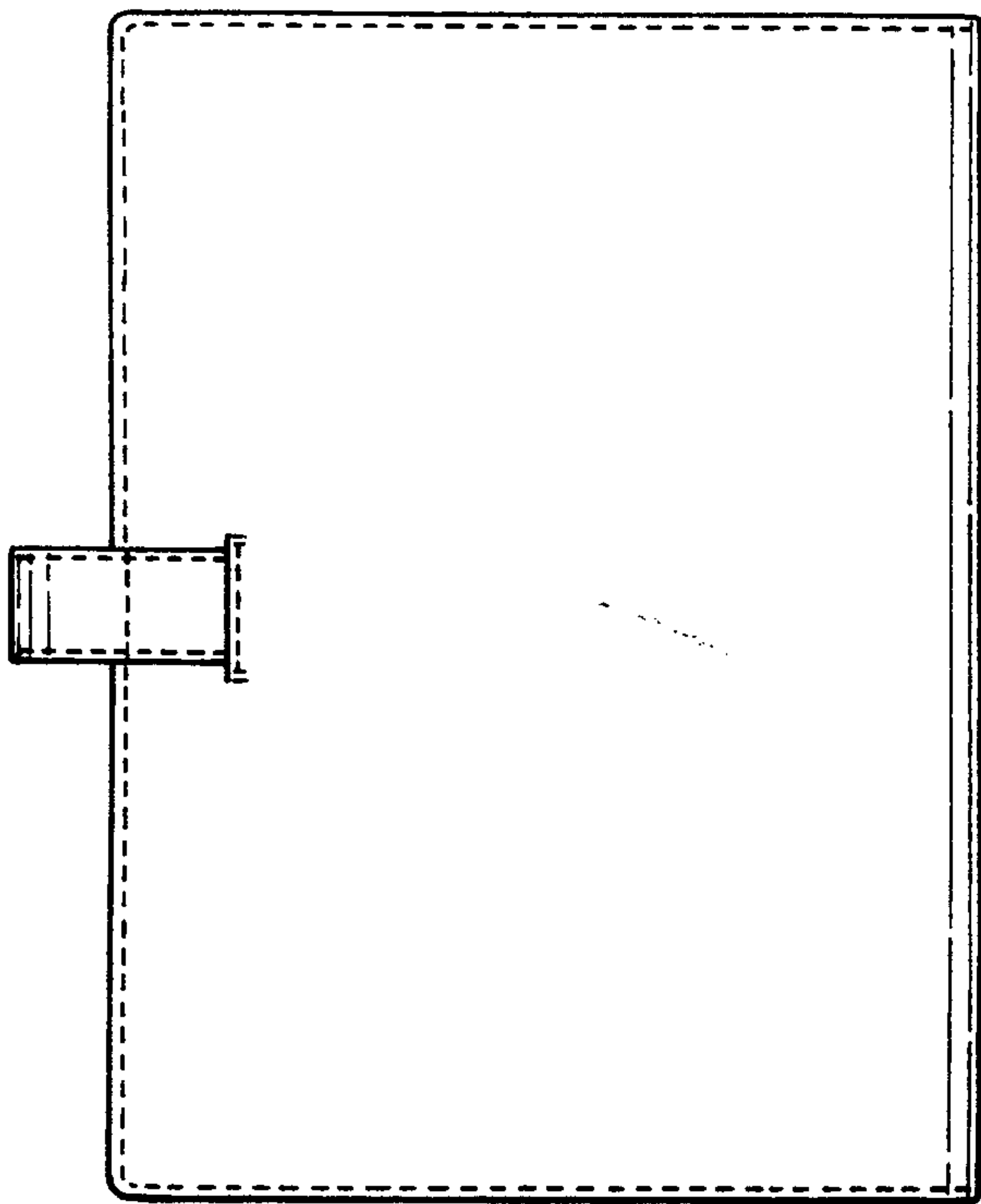
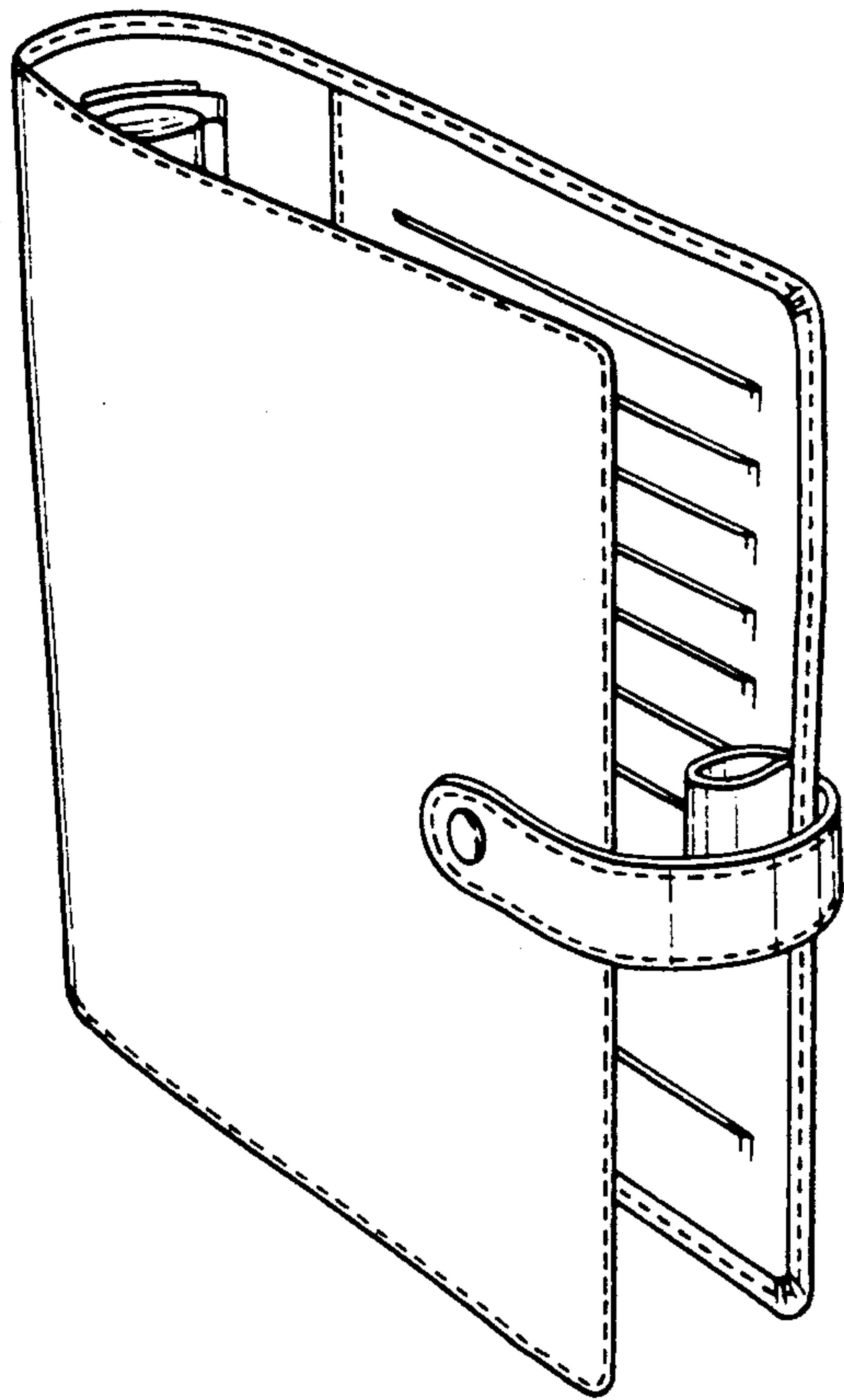
The ornamental design for a personal organiser, as shown and described.

**DESCRIPTION**

FIG. 1 is a front perspective view from above and one side of a personal organiser showing my new design; FIG. 2 is a rear view thereof; FIG. 3 is a perspective view thereof as shown in the open position; and, FIG. 4 is another perspective view thereof as shown in the open position with removable ring binders forming part of my personal organiser being shown separately.



*Fig. 1.*



*Fig. 2.*

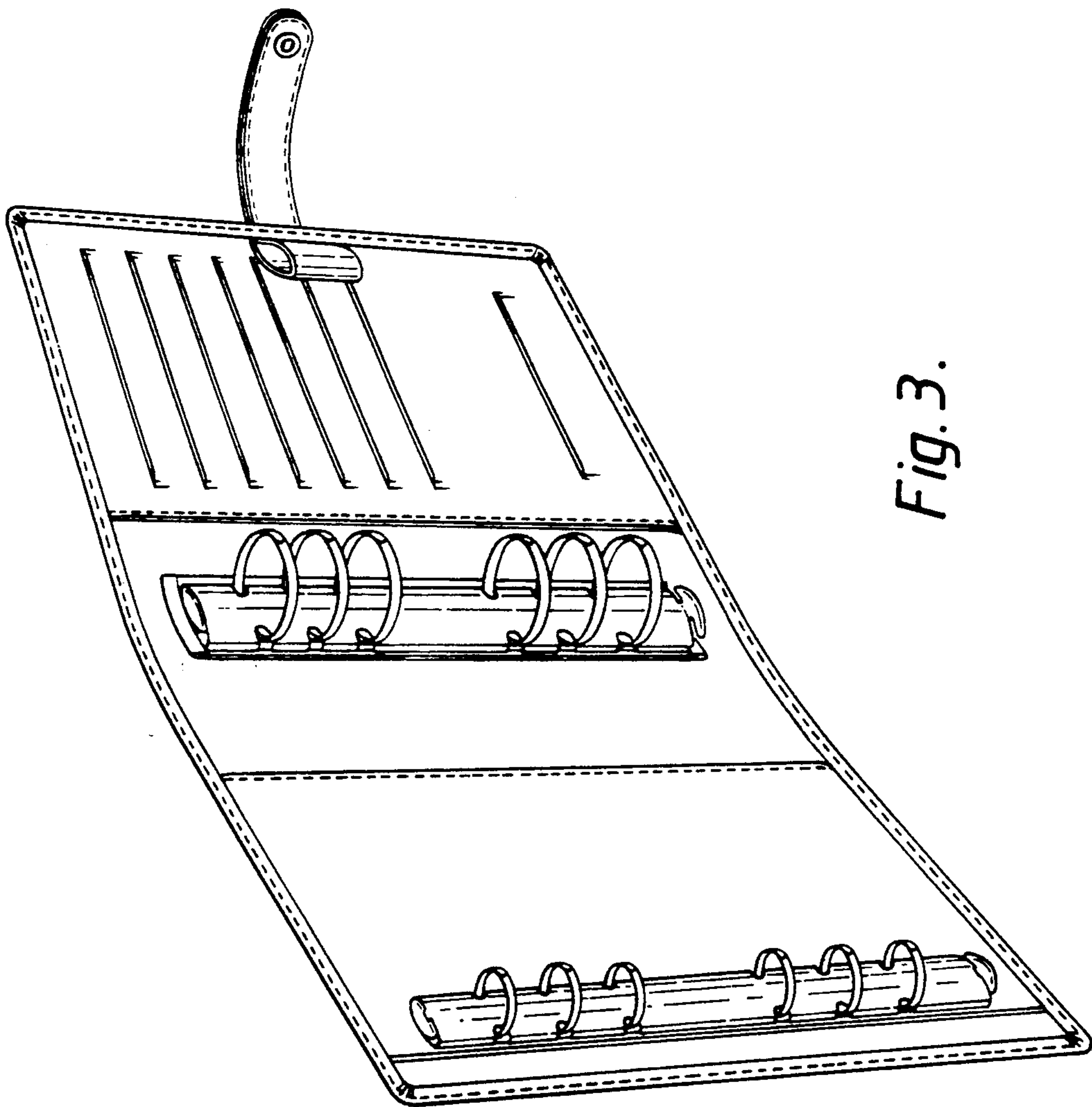


Fig. 3.

Fig. 4.

