



US00D329725S

United States Patent [19]

[11] Patent Number: **Des. 329,725**

Klok

[45] Date of Patent: **** Sep. 22, 1992**

[54] **ELECTRIC IRON**

[75] Inventor: **Jan Klok, Hoogezand, Netherlands**

[73] Assignee: **U.S. Philips Corporation, New York, N.Y.**

[**] Term: **14 Years**

[21] Appl. No.: **756,378**

[22] Filed: **Sep. 9, 1991**

[30] **Foreign Application Priority Data**

Mar. 25, 1991 [WO] World Int. Prop. O. ... DM/019.212

[52] U.S. Cl. **D32/70**

[58] Field of Search **D32/68-72;**
38/69, 74-75, 77.1-77.8, 77.81-77.83, 77.9,
79-82, 85, 88, 90, 97, 93-94; 219/245-259

[56] **References Cited**

U.S. PATENT DOCUMENTS

D. 293,147 12/1987 Brun D32/D. 298,877

D. 302,061 7/1989 Barrault D32/70
D. 309,516 7/1990 Klok D32/70
D. 310,439 9/1990 Klok D32/70
D. 314,266 1/1991 Littmann D32/70

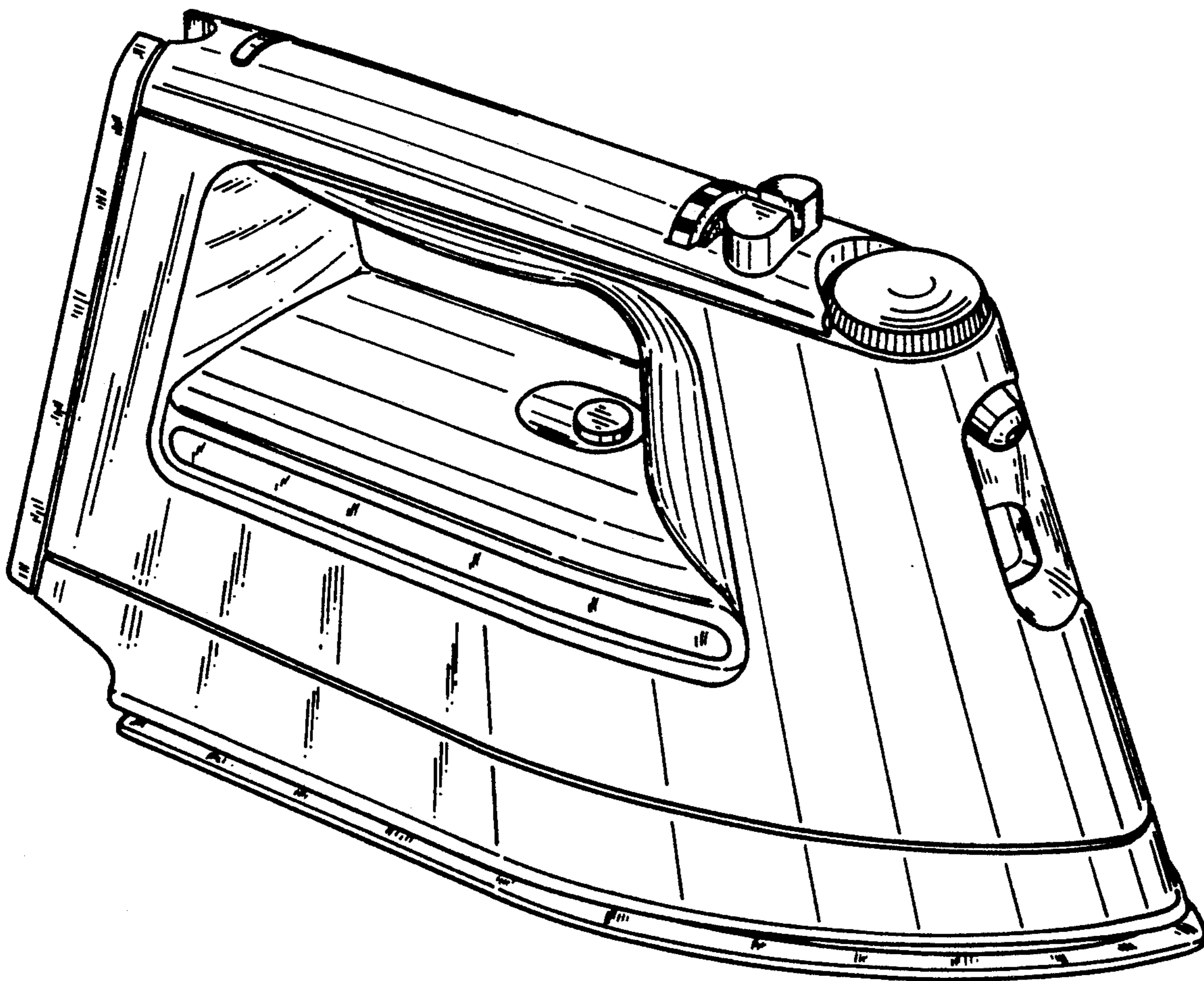
Primary Examiner—Wallace R. Burke
Assistant Examiner—Lavone D. Tabor
Attorney, Agent, or Firm—Jack E. Haken

[57] CLAIM

The ornamental design for an electric iron, as shown.

DESCRIPTION

FIG. 1 is a front, top, and left side perspective view of an electric iron, showing my new design; FIG. 2 is a front elevational view thereof; FIG. 3 is a rear elevational view thereof; FIG. 4 is a right side elevational view thereof; FIG. 5 is a left side elevational view thereof; FIG. 6 is a top plan view thereof; and, FIG. 7 is a bottom plan view thereof.



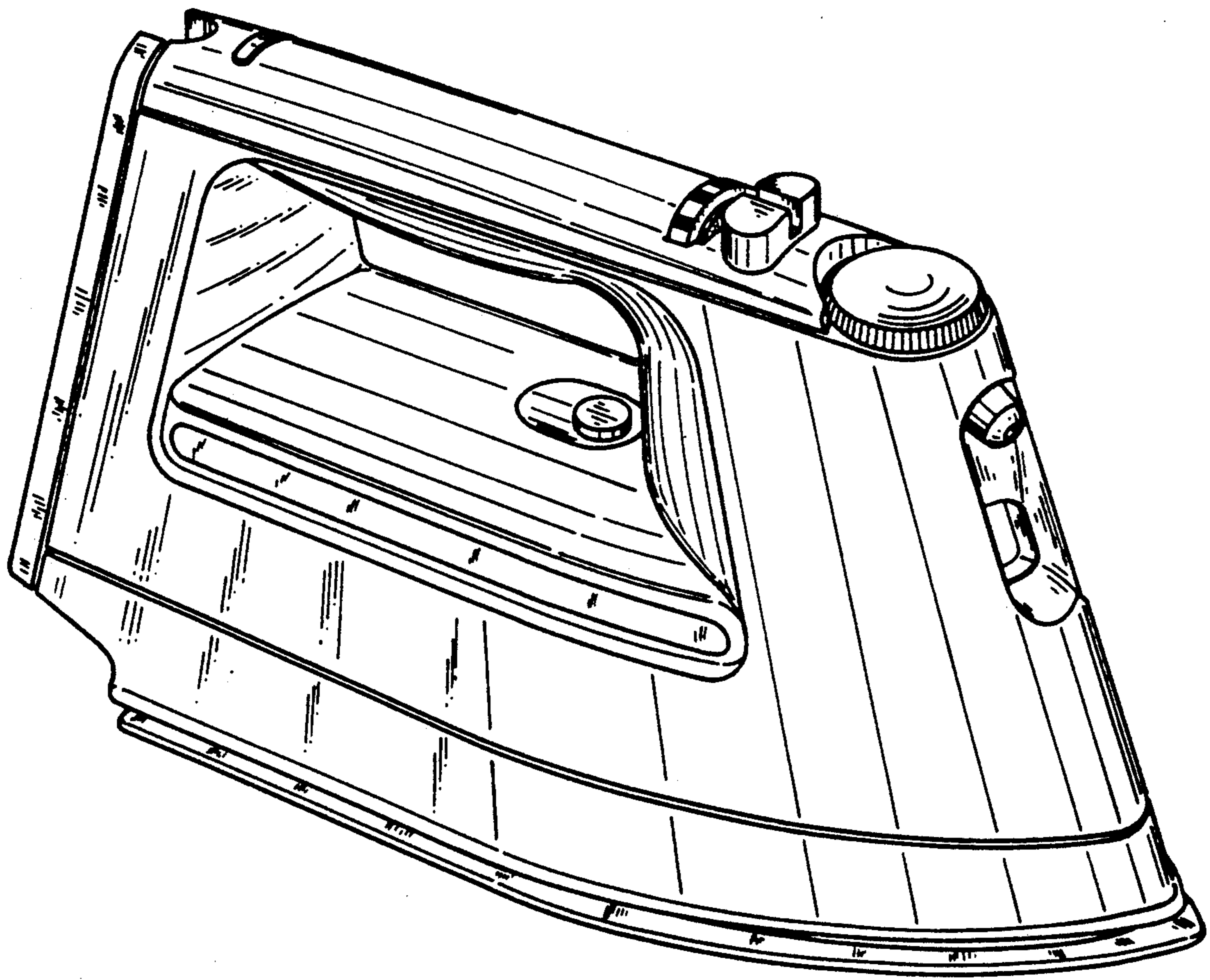


FIG. 1

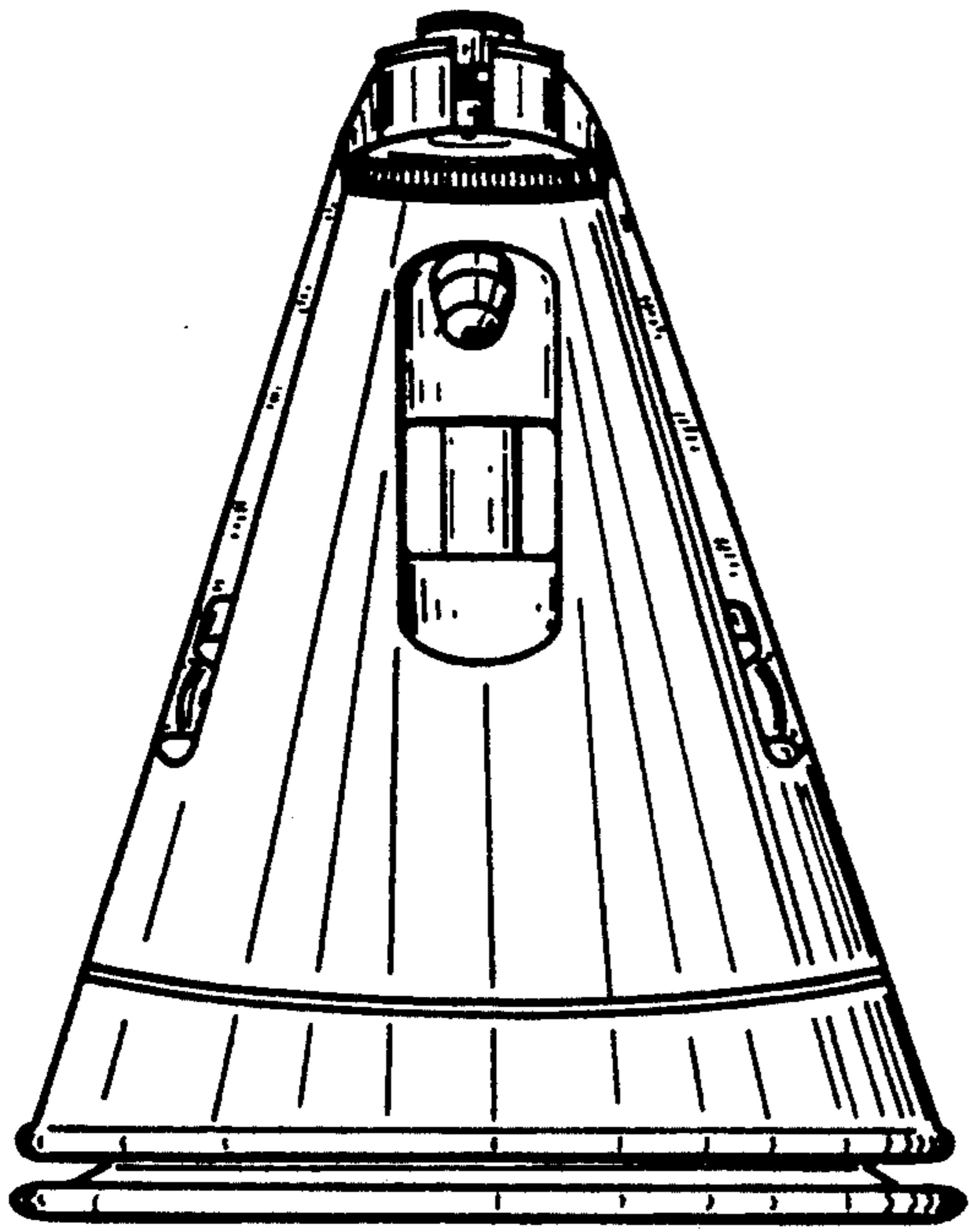


FIG. 2

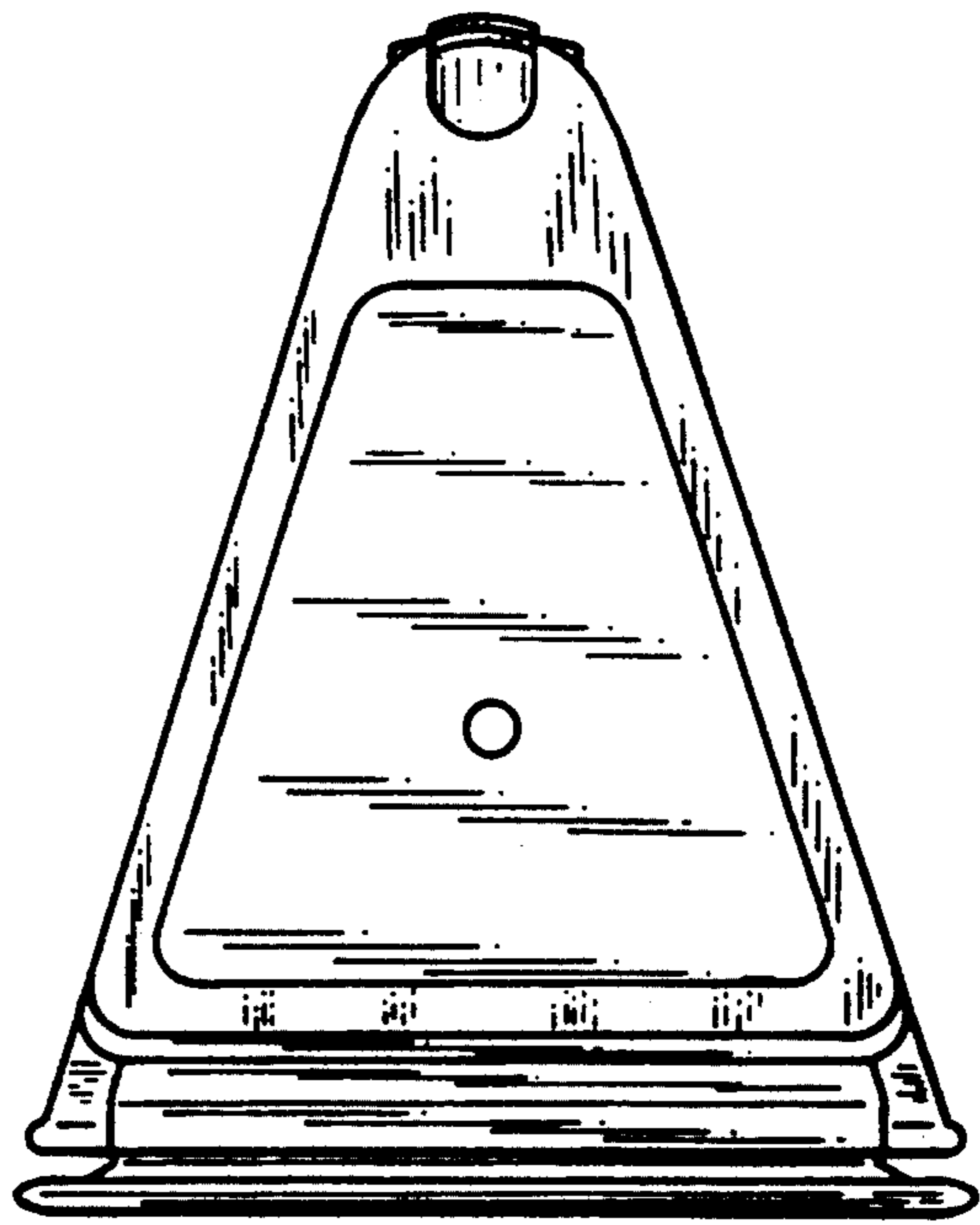


FIG. 3

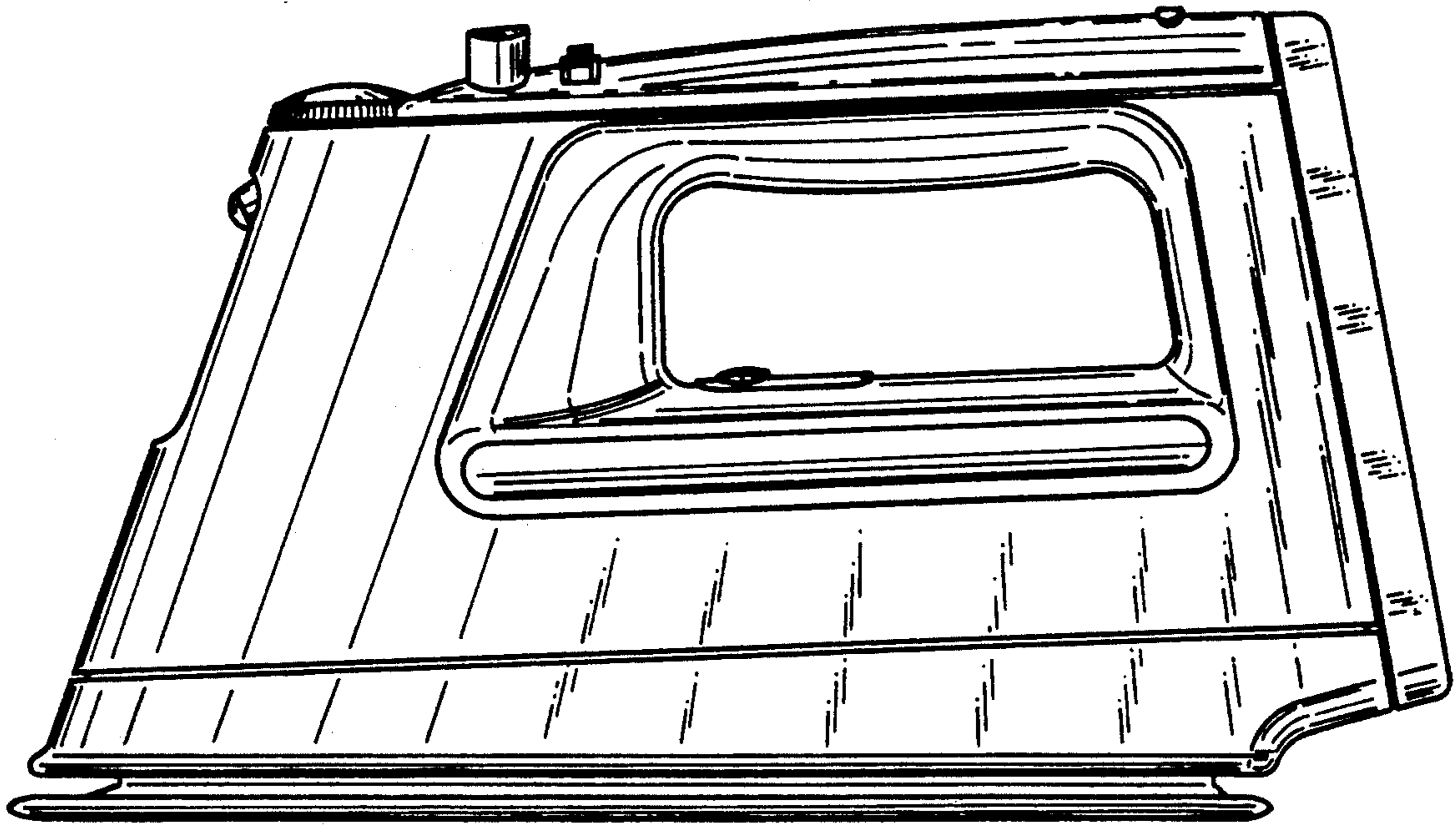


FIG. 4

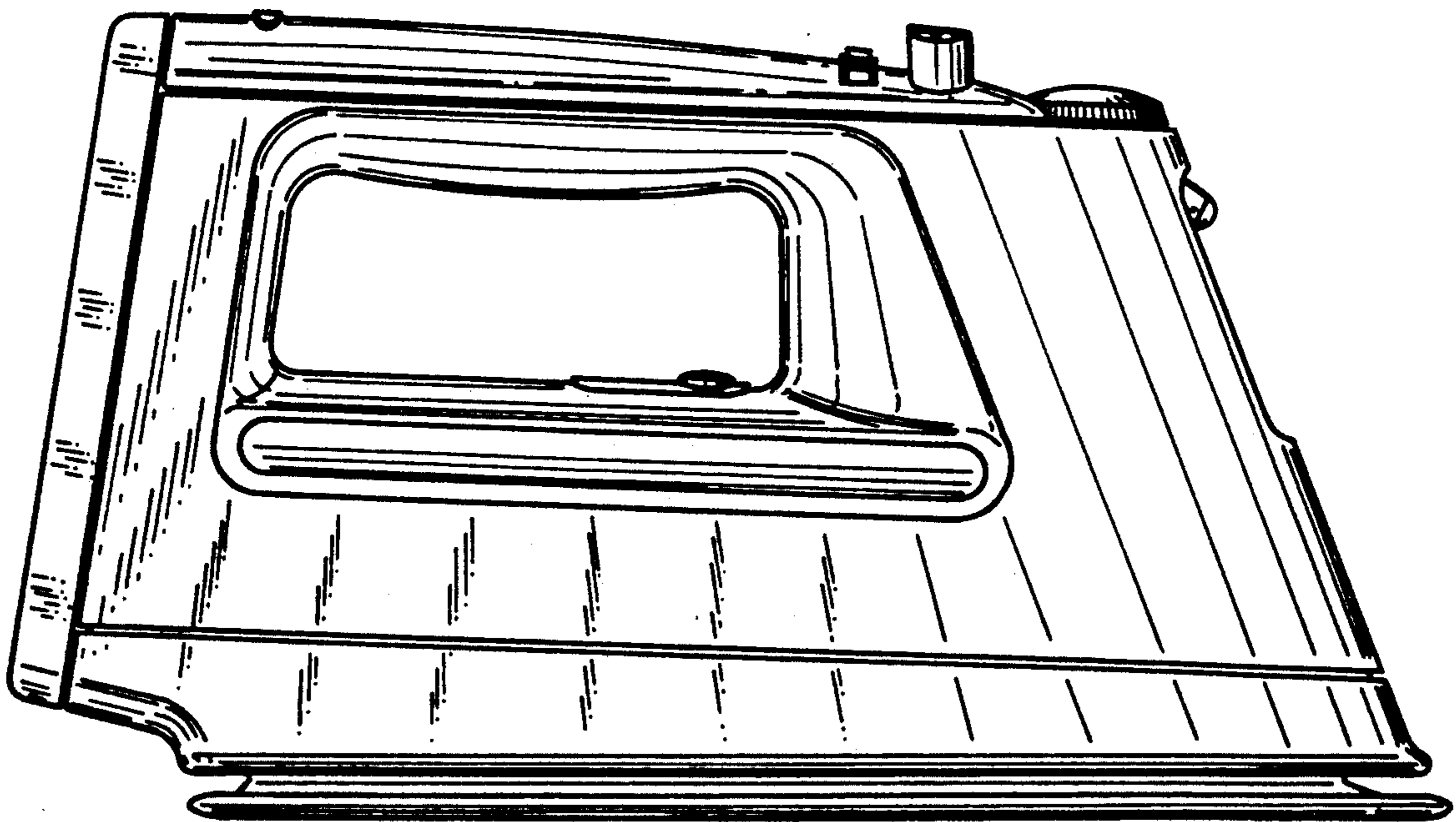


FIG. 5

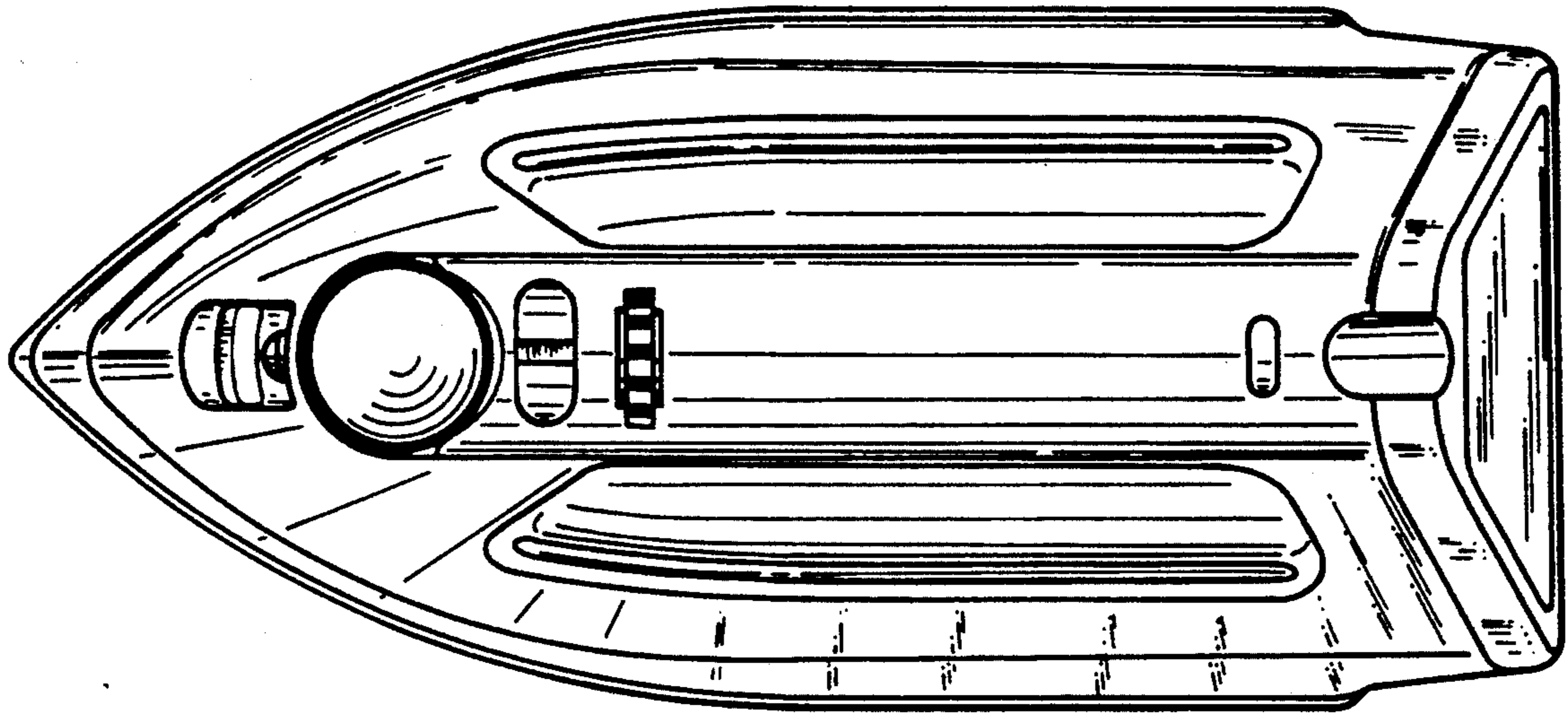


FIG. 6

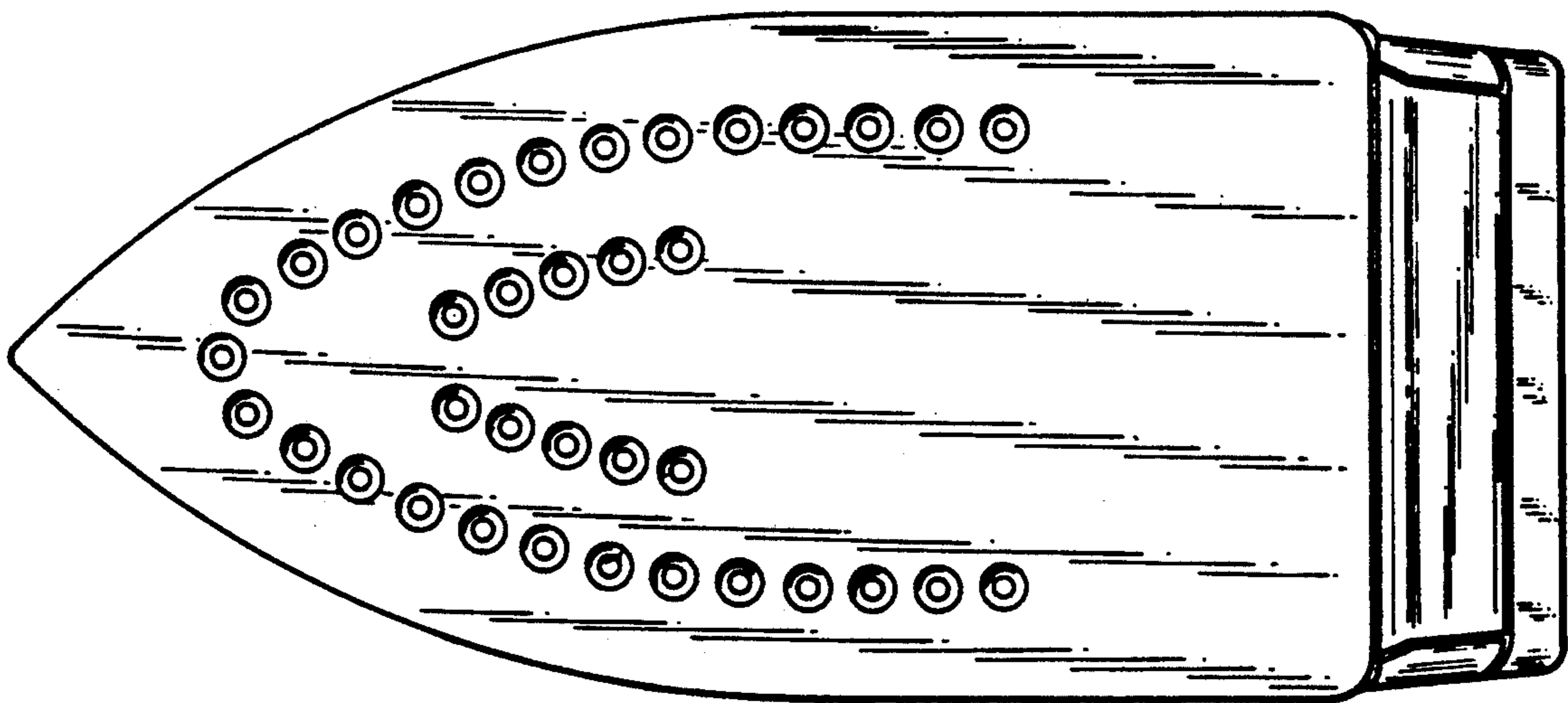


FIG. 7