



US00D329723S

United States Patent [19] Carpenter

[11] Patent Number: **Des. 329,723**

[45] Date of Patent: **** Sep. 22, 1992**

[54] **BIRD FEEDER**

- [75] Inventor: **James R. Carpenter**, Indianapolis, Ind.
- [73] Assignee: **Wild Birds Unlimited, Inc.**, Indianapolis, Ind.
- [**] Term: **14 Years**
- [21] Appl. No.: **600,089**
- [22] Filed: **Oct. 19, 1990**
- [52] U.S. Cl. **D30/126**
- [58] Field of Search 119/23, 83, 158-160, 119/52.1-52.3; D30/110-111, 124-128

OTHER PUBLICATIONS

Welles L. Bishop Co., Inc. brochure; 1963; p. 4 item No. 421 California Redwood, Combination Feeder.
National Audubon Society Gift Catalog; Sep. 1964; p. 19 item No. C24 Epicure Feeder.

Primary Examiner—A. Hugo Word
Assistant Examiner—CathyAnne MacCormac
Attorney, Agent, or Firm—Woodard, Emhardt, Naughton, Moriarty & McNett

[57] **CLAIM**

The ornamental design for a bird feeder, as shown and described.

DESCRIPTION

FIG. 1 is a front elevational view of a bird feeder, showing my new design;
FIG. 2 is a top plan view thereof;
FIG. 3 is a bottom plan view thereof;
FIG. 4 is a left side elevational view thereof;
FIG. 5 is a right side elevational view thereof;
FIG. 6 is a front and left side perspective view thereof; and,
FIG. 7 is a front and right side perspective view thereof.

[56] **References Cited**

U.S. PATENT DOCUMENTS

- D. 120,350 5/1940 Moore 119/52.2
- 4,867,104 9/1989 Vandiver 119/52.3
- 5,048,461 9/1991 Wessner 119/52.3

FOREIGN PATENT DOCUMENTS

- 614329 2/1961 Canada 119/23

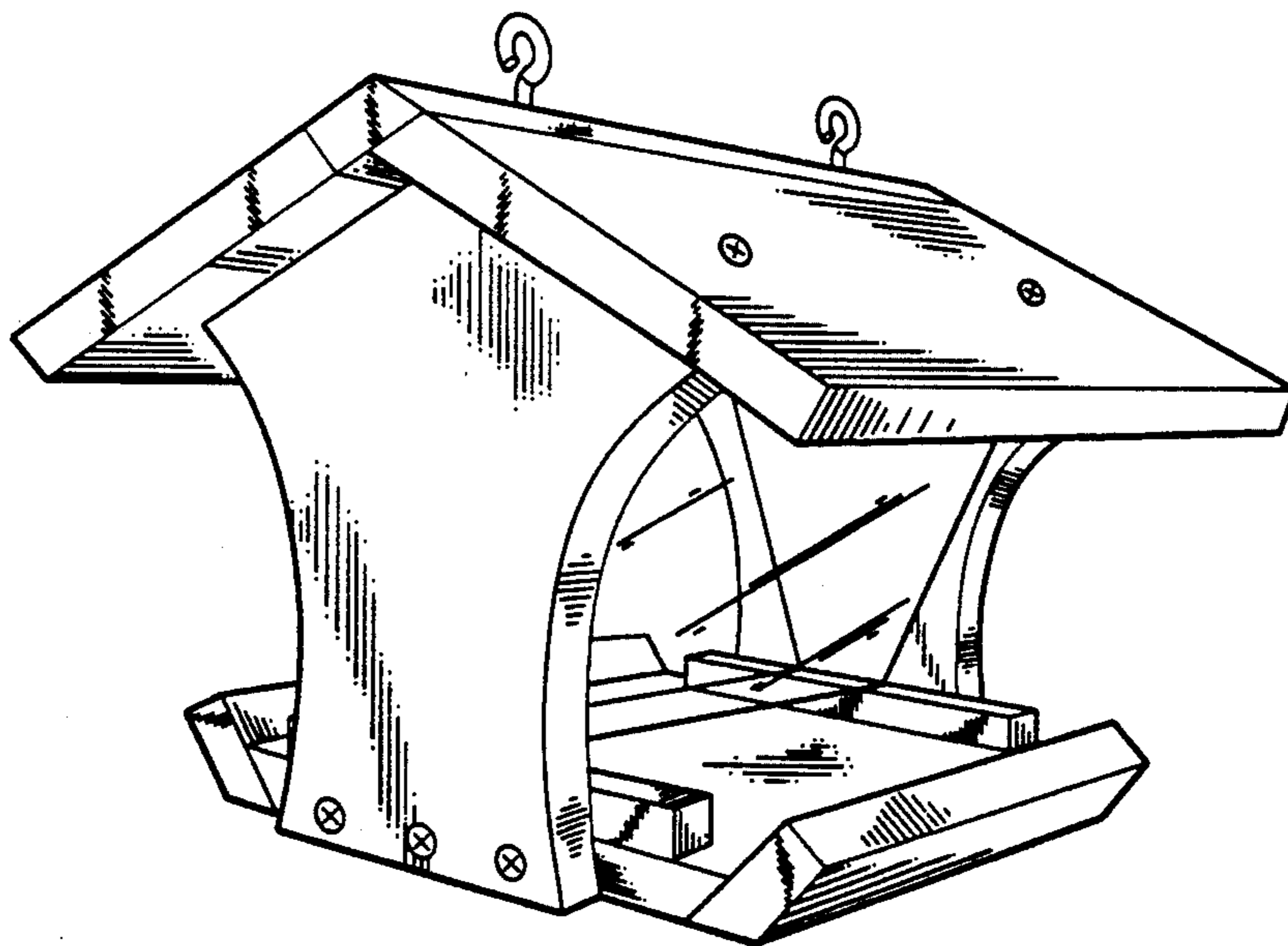


Fig. 2

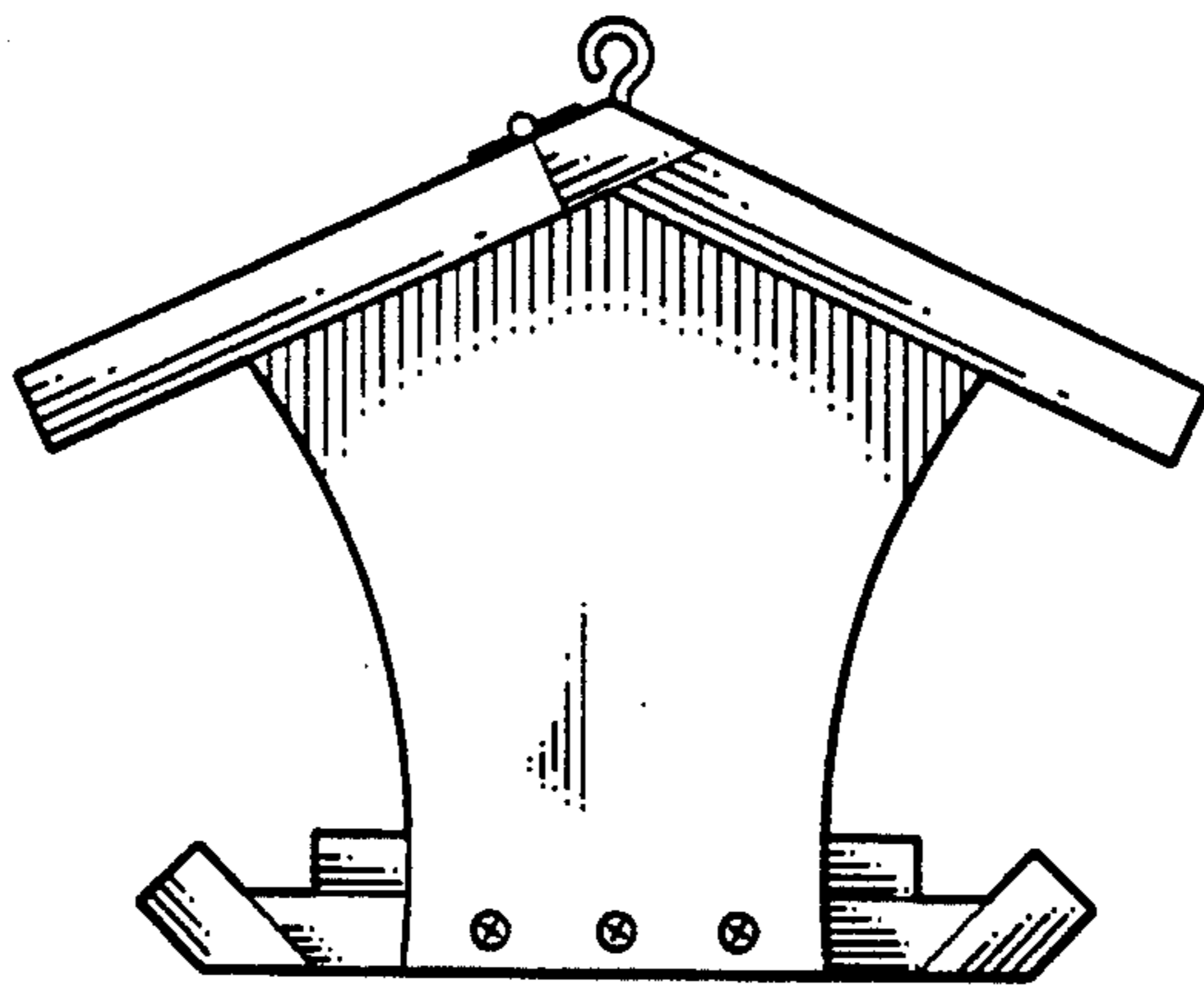
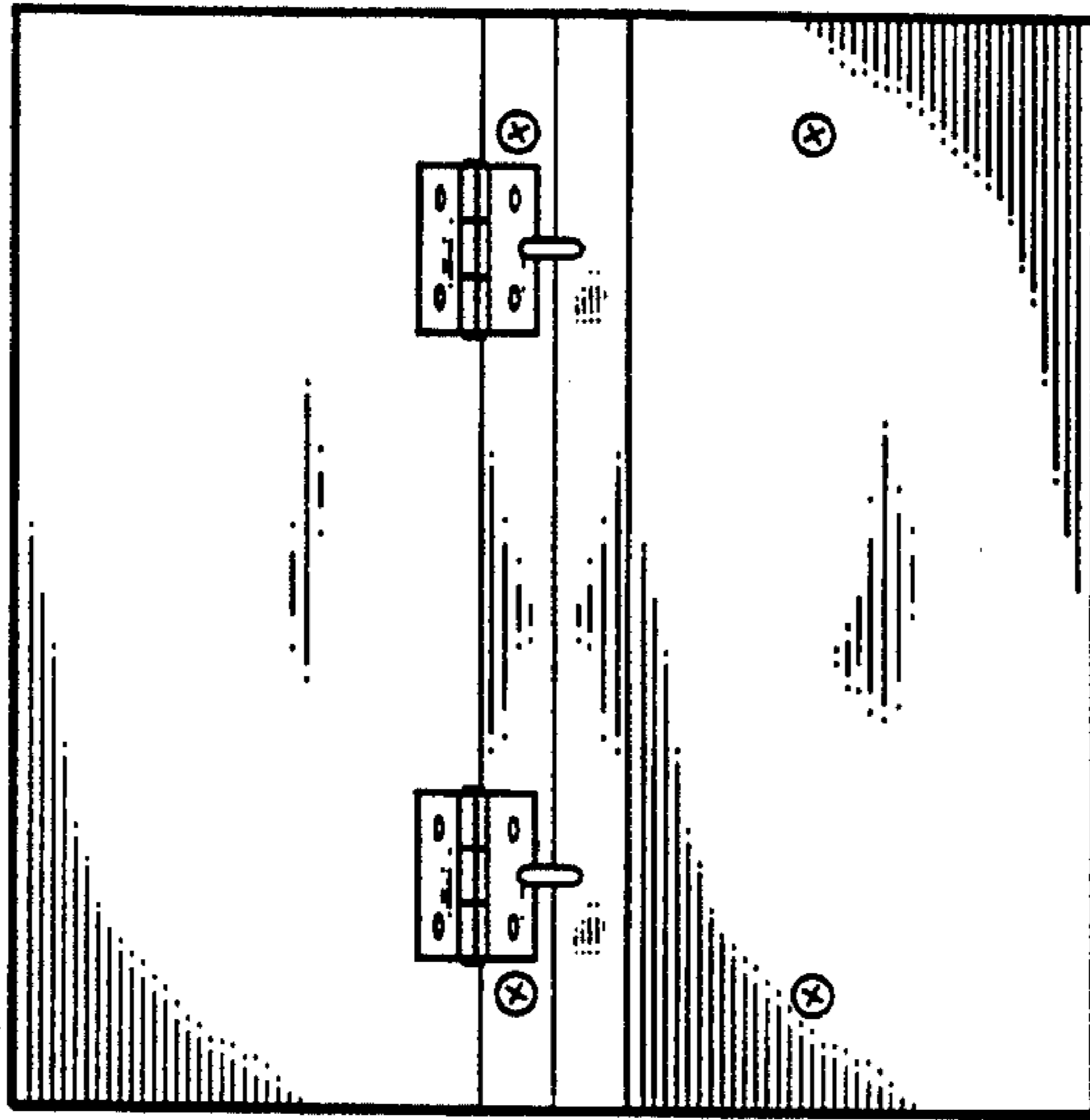
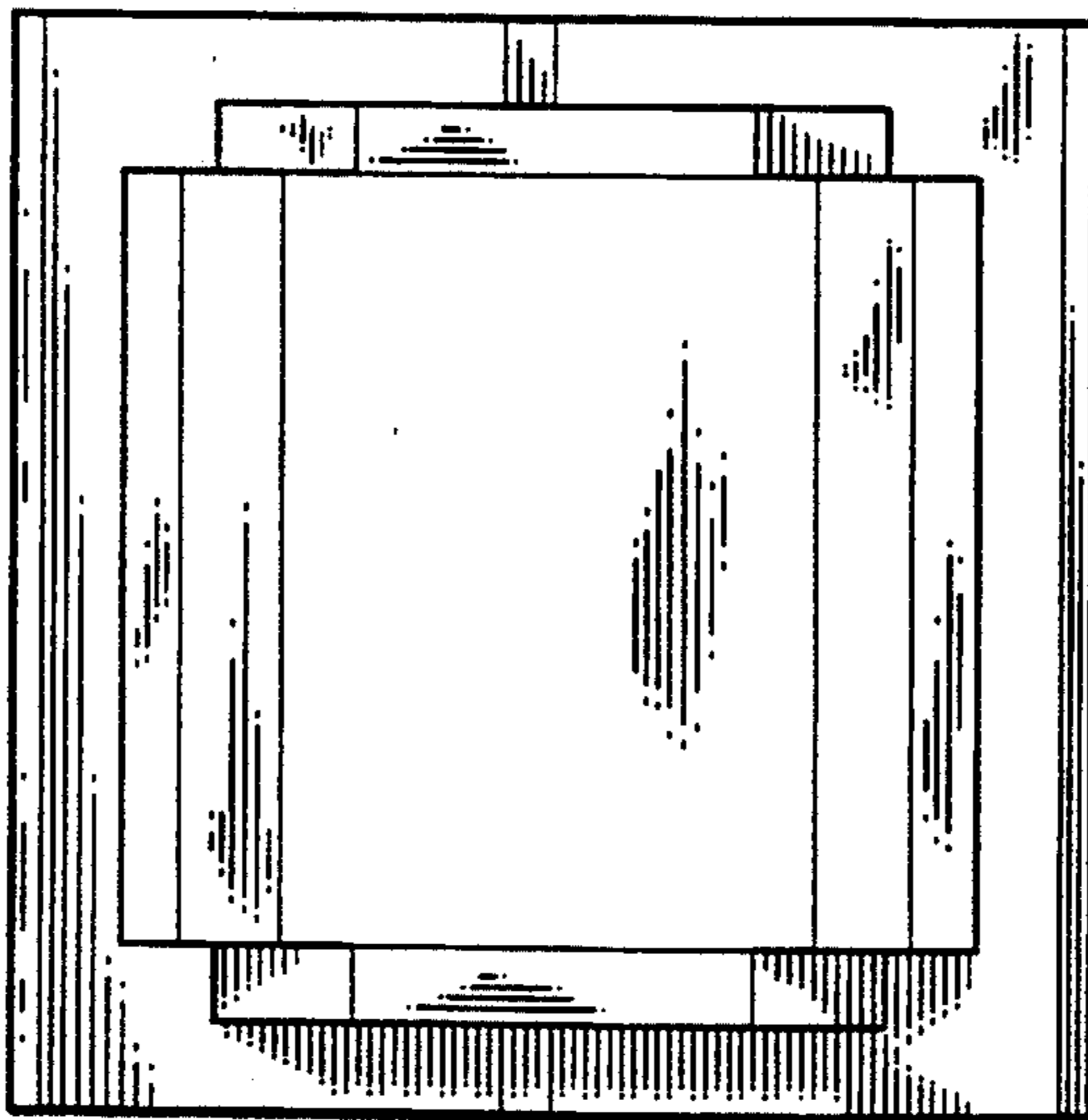


Fig. 1

Fig. 3



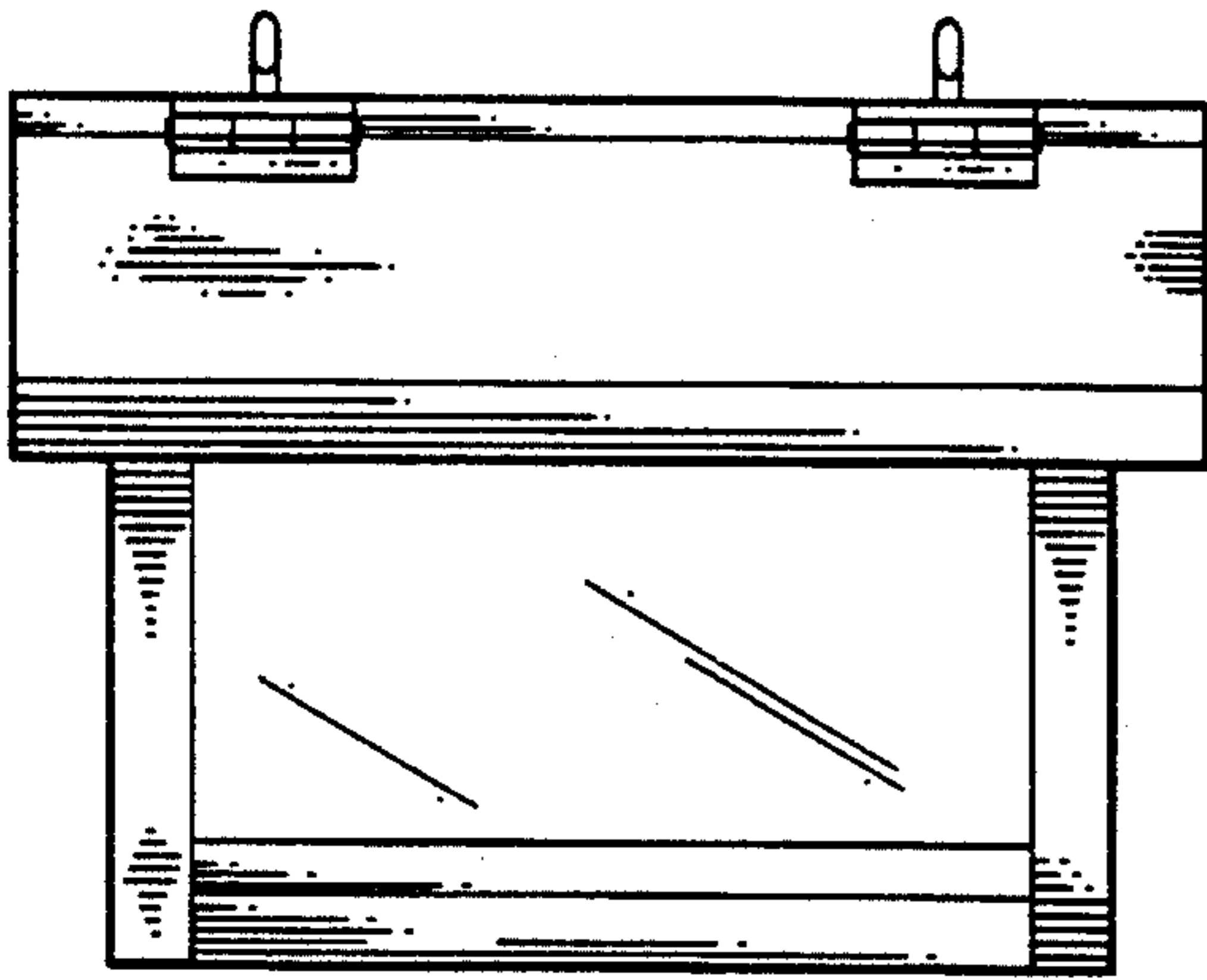


Fig. 4

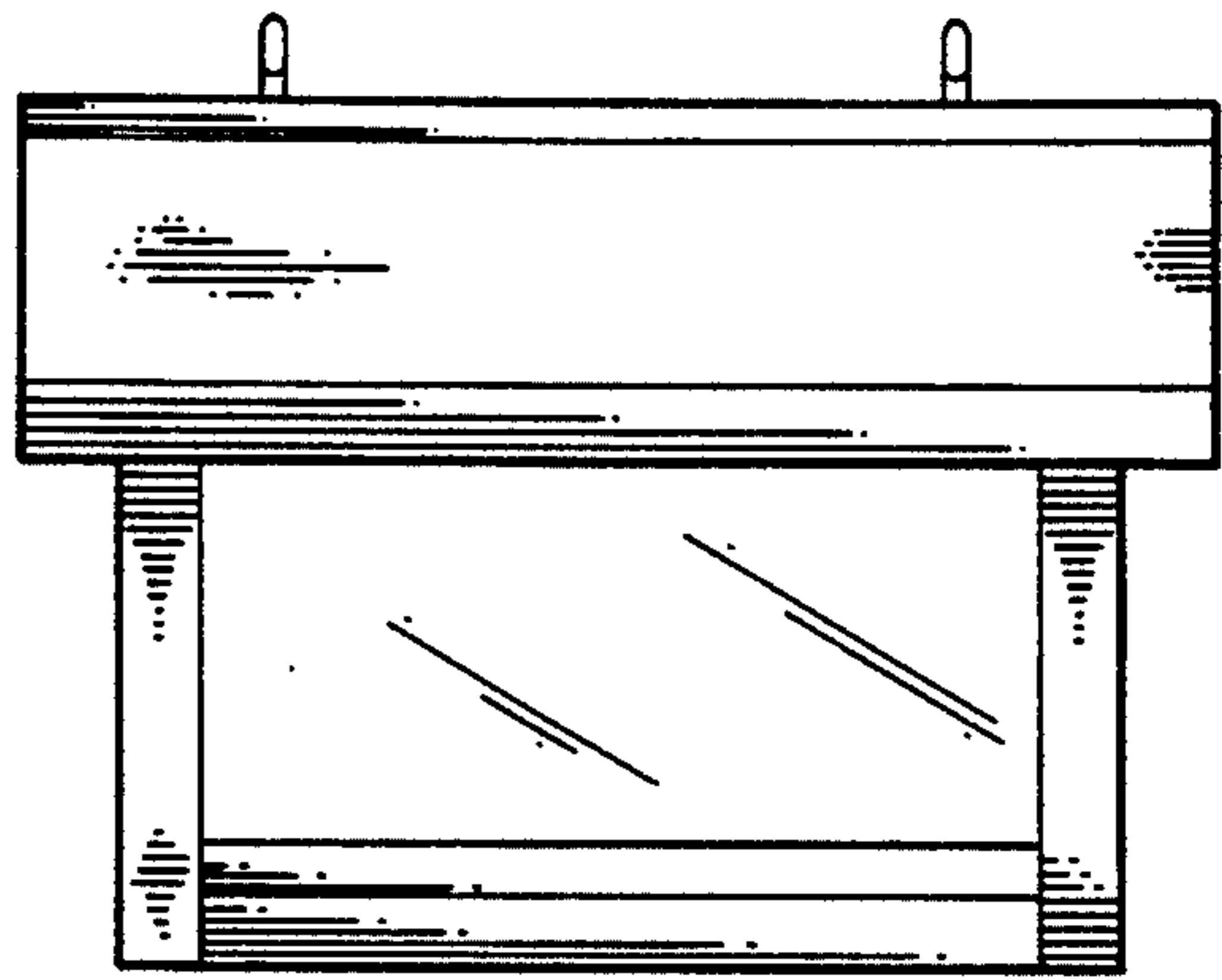


Fig. 5

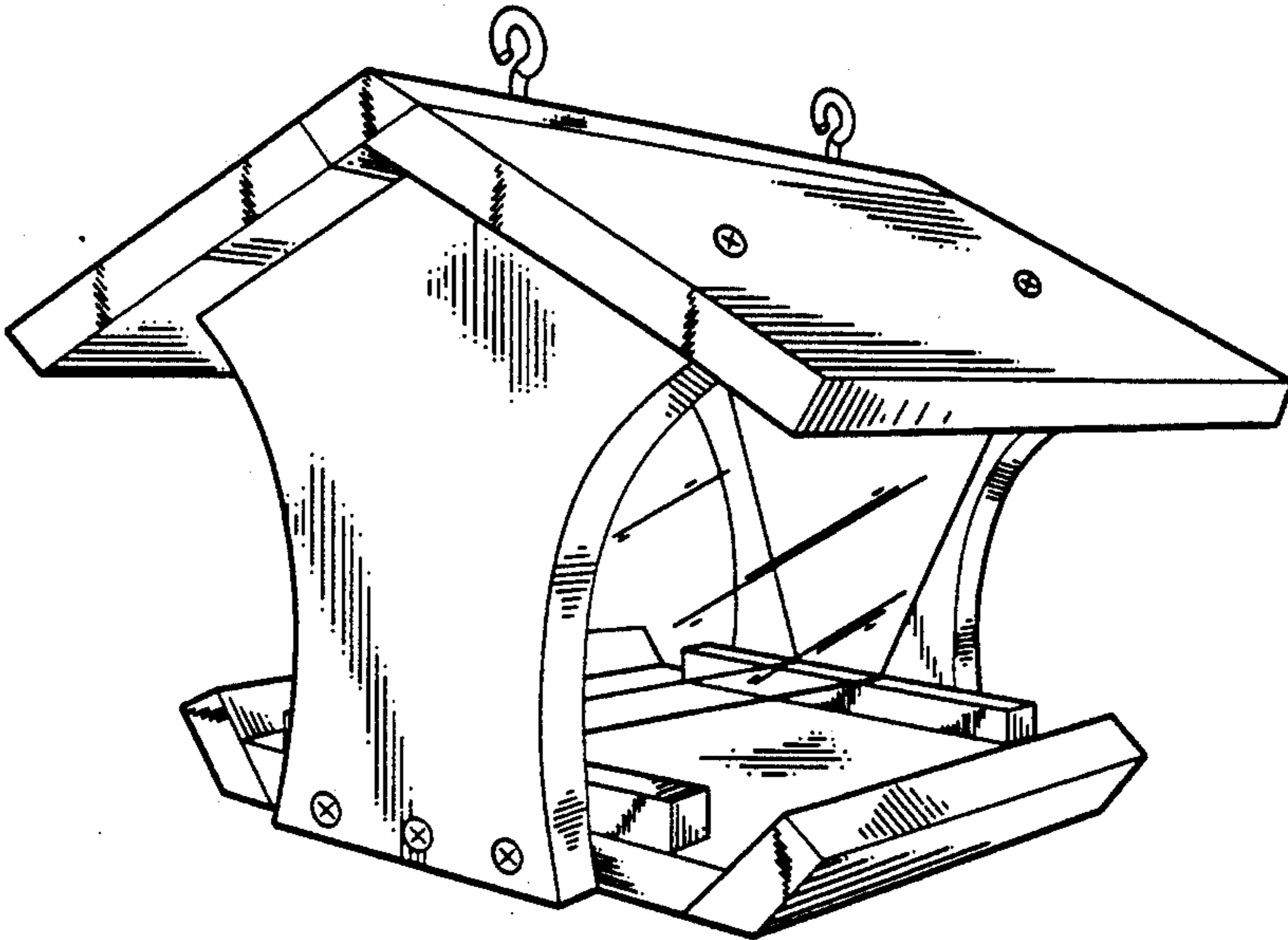


Fig. 6

Fig. 7

