



US00D329722S

United States Patent [19] Embree

[11] Patent Number: **Des. 329,722**
[45] Date of Patent: **** Sep. 22, 1992**

[54] **HUMMINGBIRD FOOD HOUSING**

[75] Inventor: **Donald Embree, Uniontown, Ohio**

[73] Assignee: **Rubbermaid Incorporated, Wooster, Ohio**

[**] Term: **14 Years**

[21] Appl. No.: **497,634**

[22] Filed: **Mar. 23, 1990**

[52] U.S. Cl. **D30/124**

[58] Field of Search 119/51.03, 52.2, 57.4,
119/57.8, 57.9, 61, 69.5, 72, 77; D30/121-128,
132-133

[56] **References Cited**

U.S. PATENT DOCUMENTS

D. 121,303	7/1940	Nagle	D30/124
D. 239,182	3/1976	Kilham	D30/125
3,125,069	3/1964	Fowler	D30/132
3,126,870	3/1964	Matthew	119/52.3
3,301,220	1/1967	Queen	D30/132
4,901,673	2/1990	Overstreet	119/72
4,938,168	7/1990	Meidell	119/77

OTHER PUBLICATIONS

Signals Catalog; p. 37 item Rose Glass Hummingbird Feeder.

Alsto Yard and Home Catalog; Fall/Winter 1965; p. 41 item Hummingbird Feeder; (Pet Catalogs Box 1).

P. 98, Walter Drake & Sons, 10 Drake Building, Colorado Springs, Colo., 80940. Publication date Winter 1990.

Sell Sheet, Hyde Bird Feeder Co., 56 Felton Street, Box 168, Waltham, Mass., 02254. Publication date 1985-1986.

P. 10, Opus, P.O. Box 525, Bellingham, Mass., 02019. Publication date 1988.

Brochure Page, Rubbermaid Incorporated, 1147 Akron Road, Wooster, Ohio 44691. Publication date Feb. 1989.

Primary Examiner—A. Hugo Word

Assistant Examiner—CathyAnne MacCormac

Attorney, Agent, or Firm—Richard B. O'Planick

[57] **CLAIM**

The ornamental design for hummingbird food housing, as shown and described.

DESCRIPTION

FIG. 1 is a right front perspective view of a hummingbird food housing showing my new design;

FIG. 2 is a left side elevational view thereof;

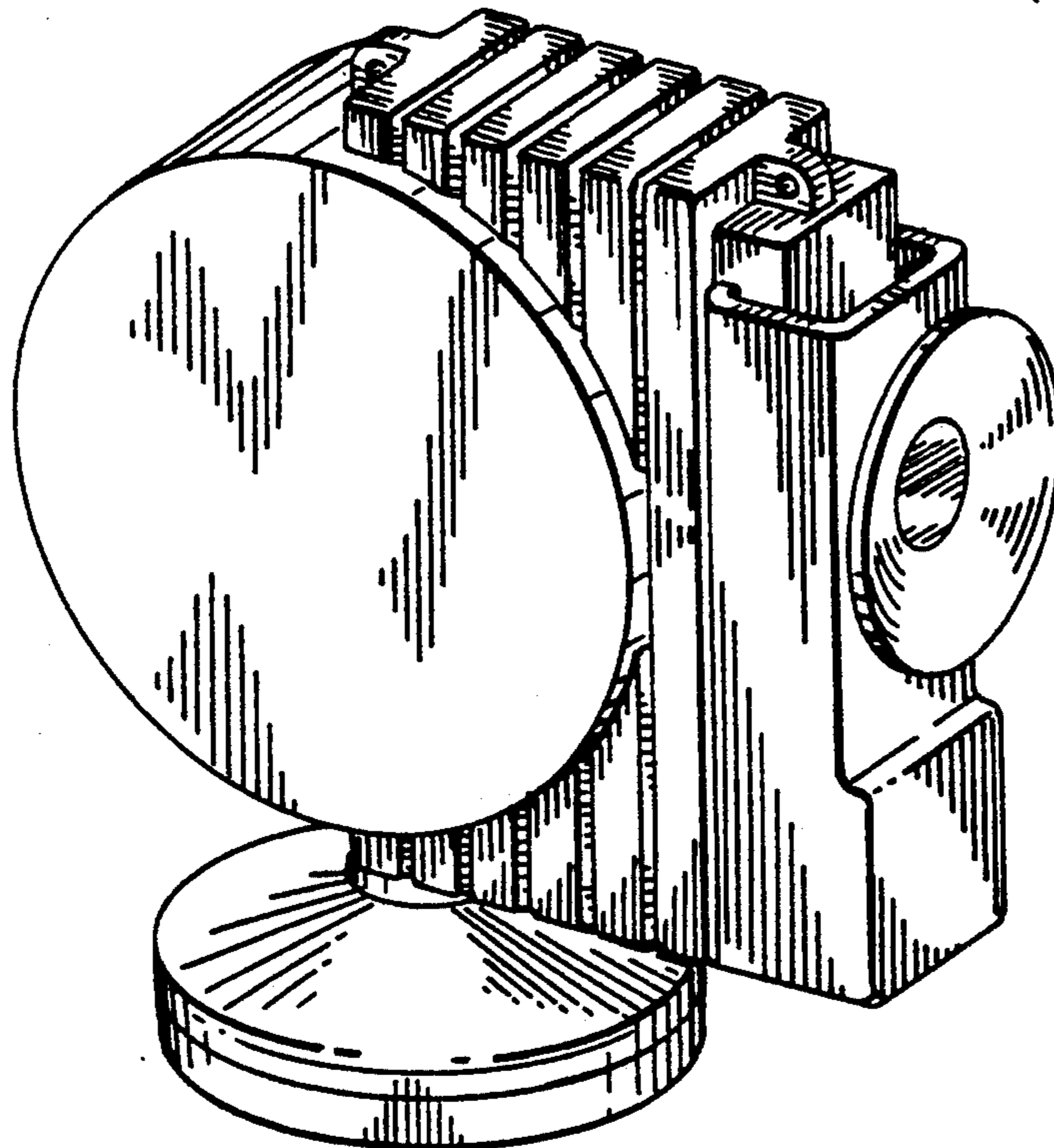
FIG. 3 is a top plan view thereof;

FIG. 4 is a front elevational view thereof;

FIG. 5 is a bottom plan view thereof;

FIG. 6 is a rear elevational view thereof; and,

FIG. 7 is a right side elevational view thereof.



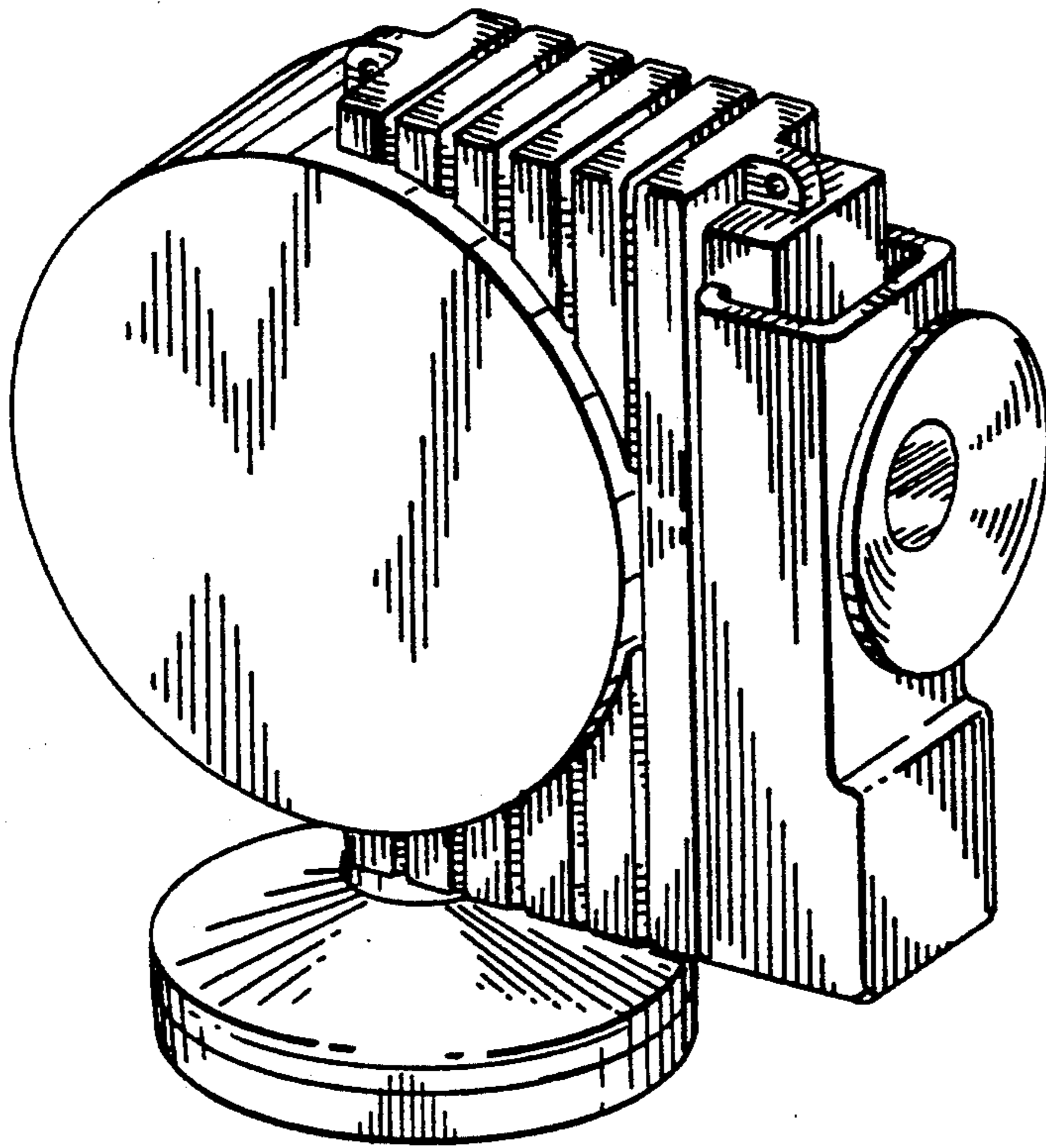


FIG. 1

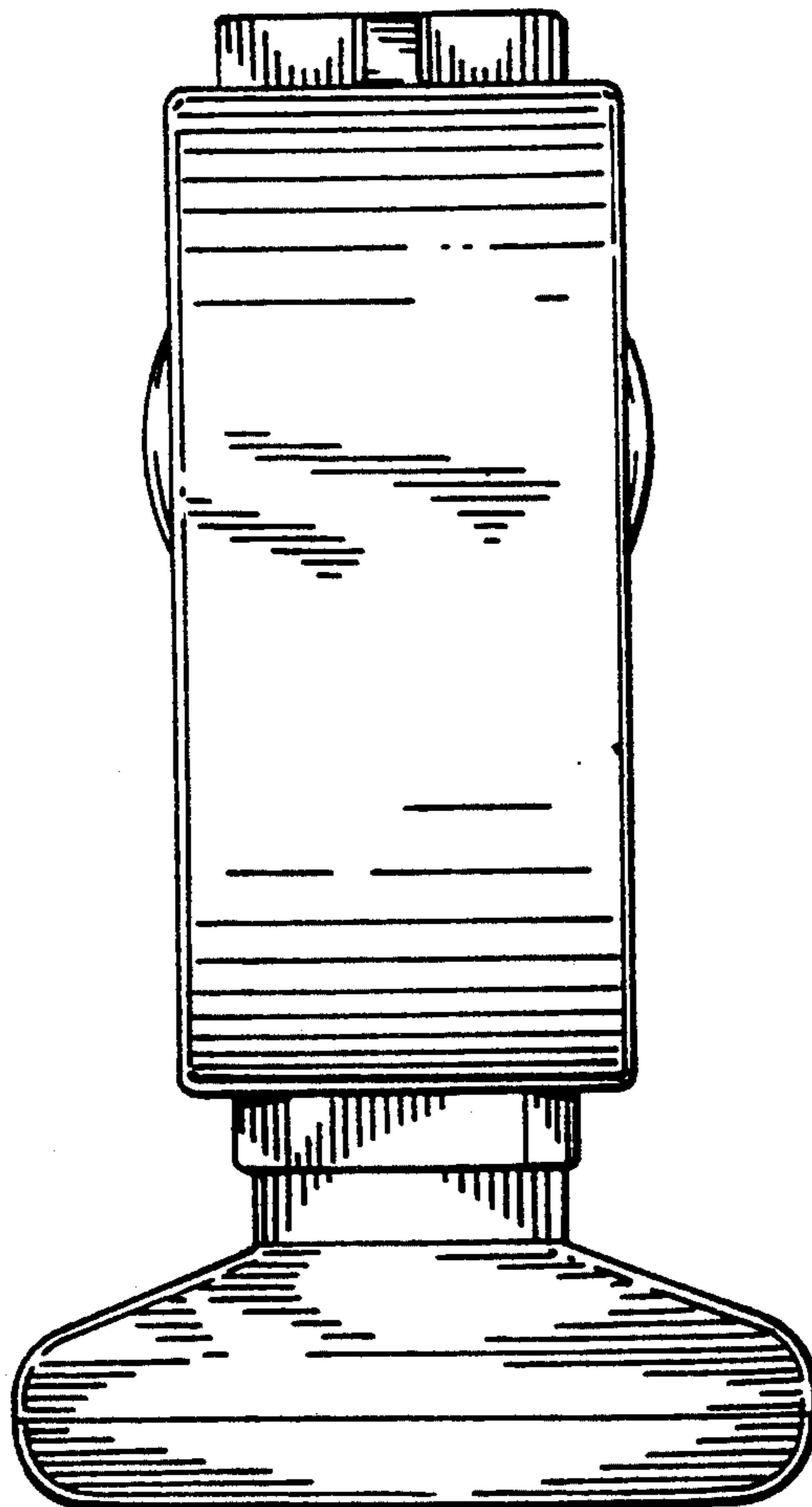


FIG. 2

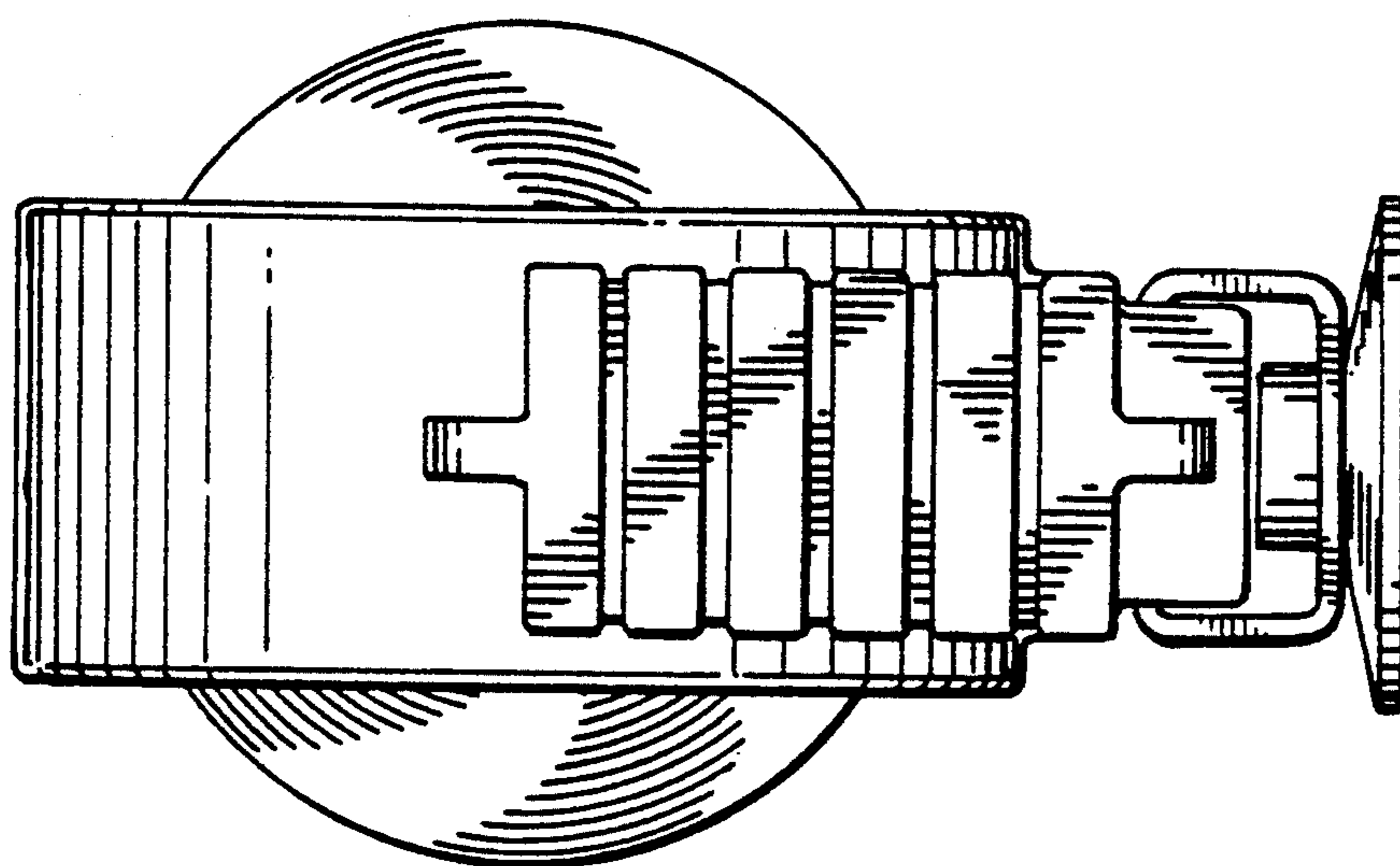


FIG. 3

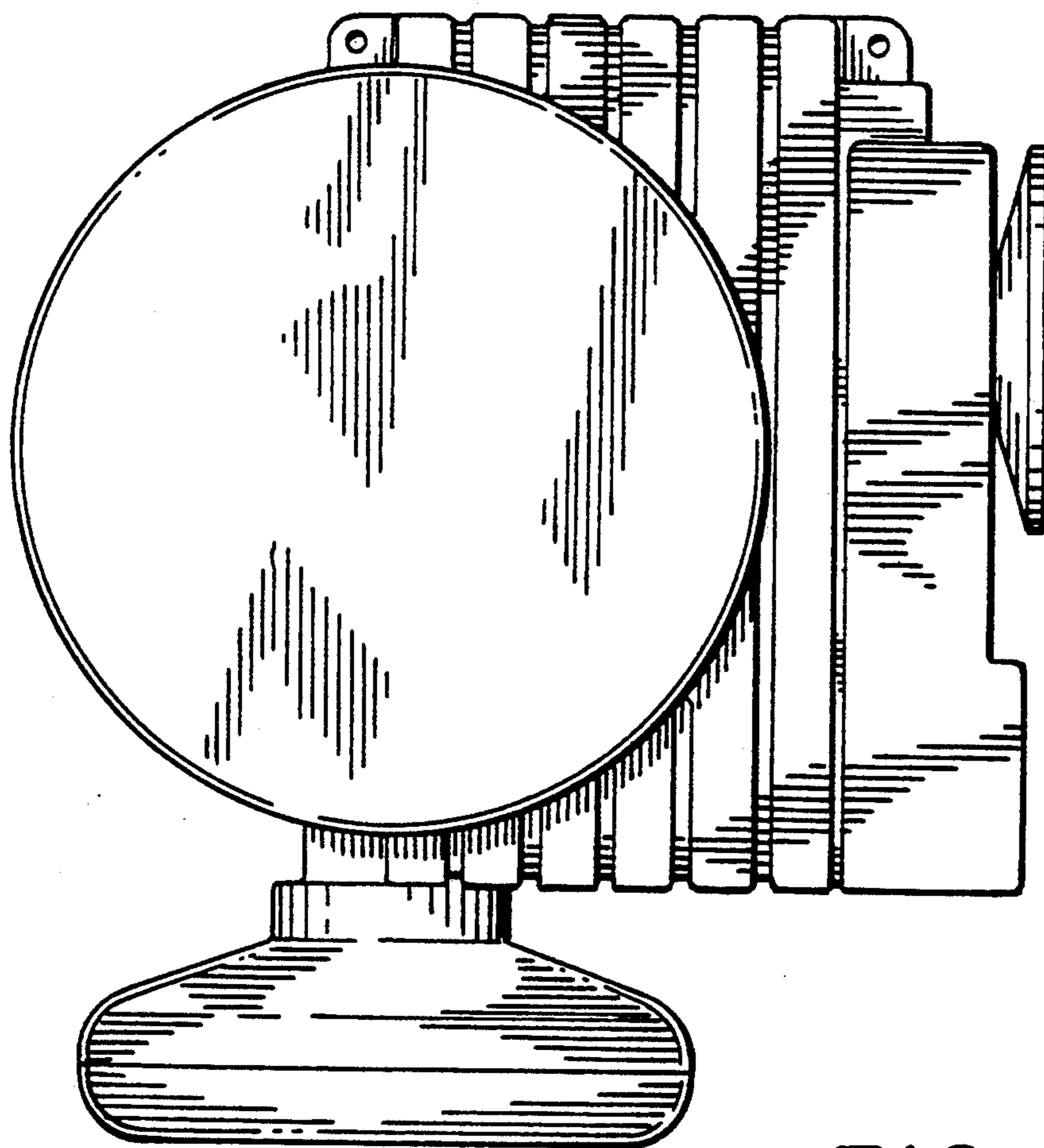


FIG. 4

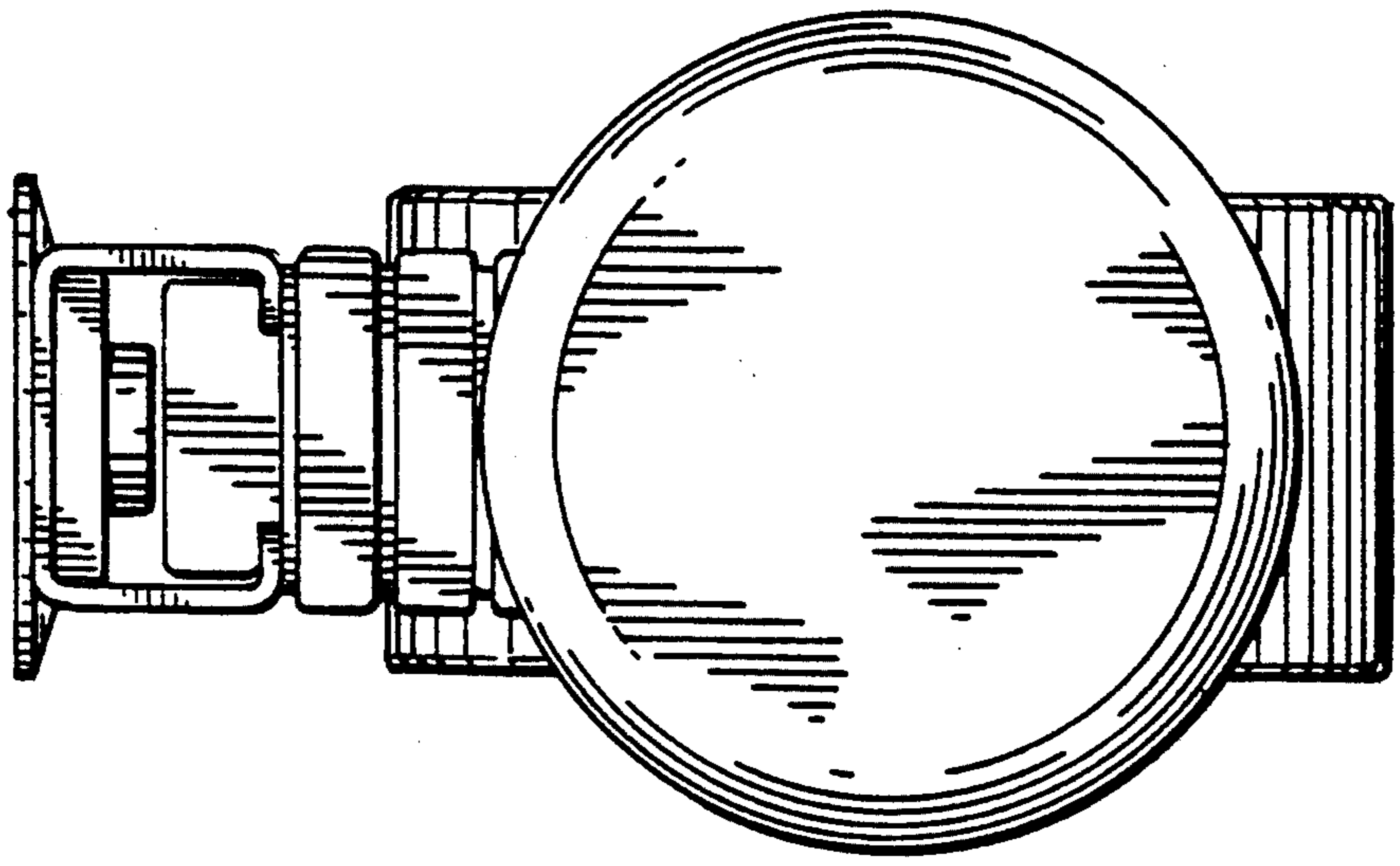


FIG. 5

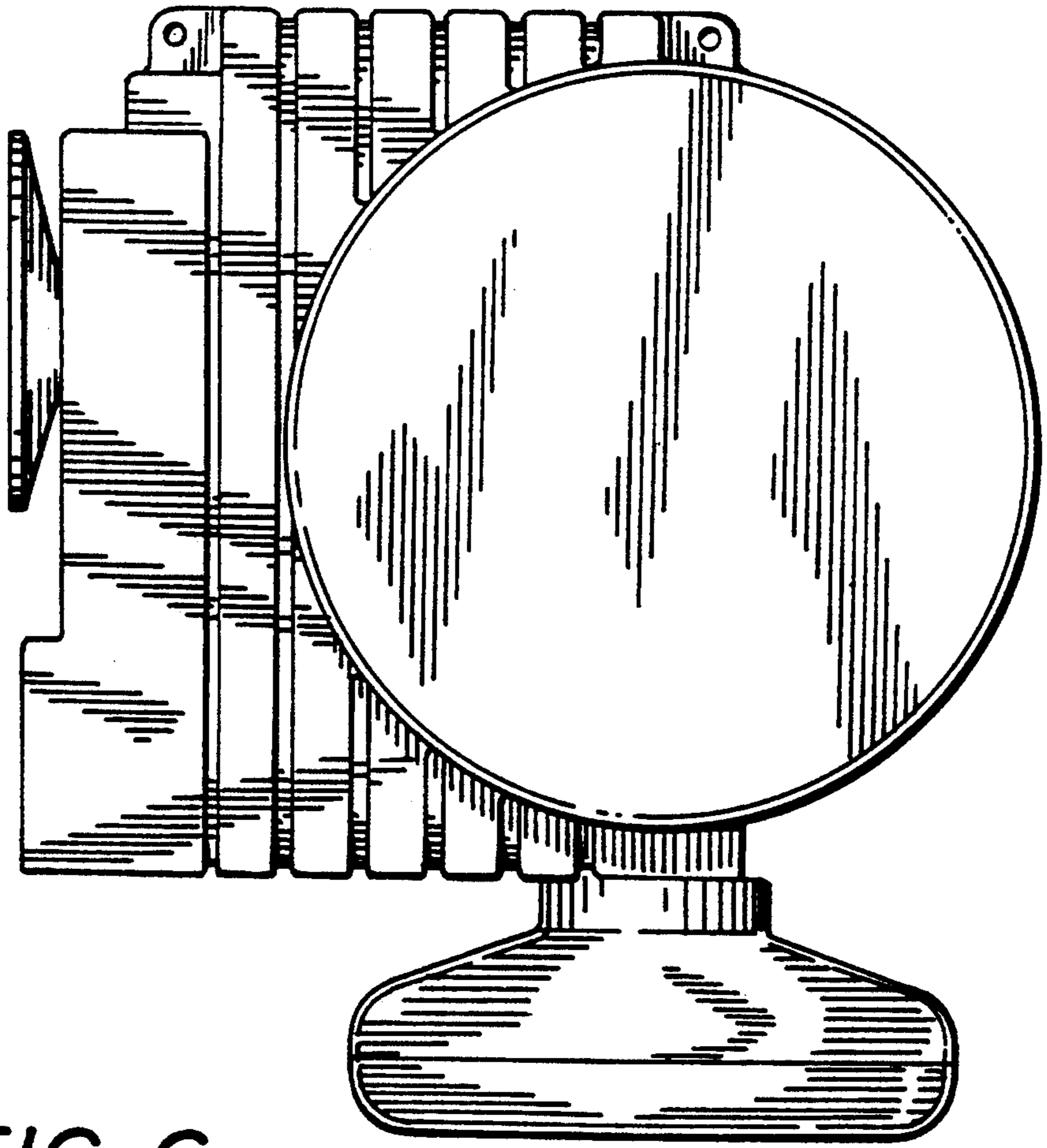


FIG. 6

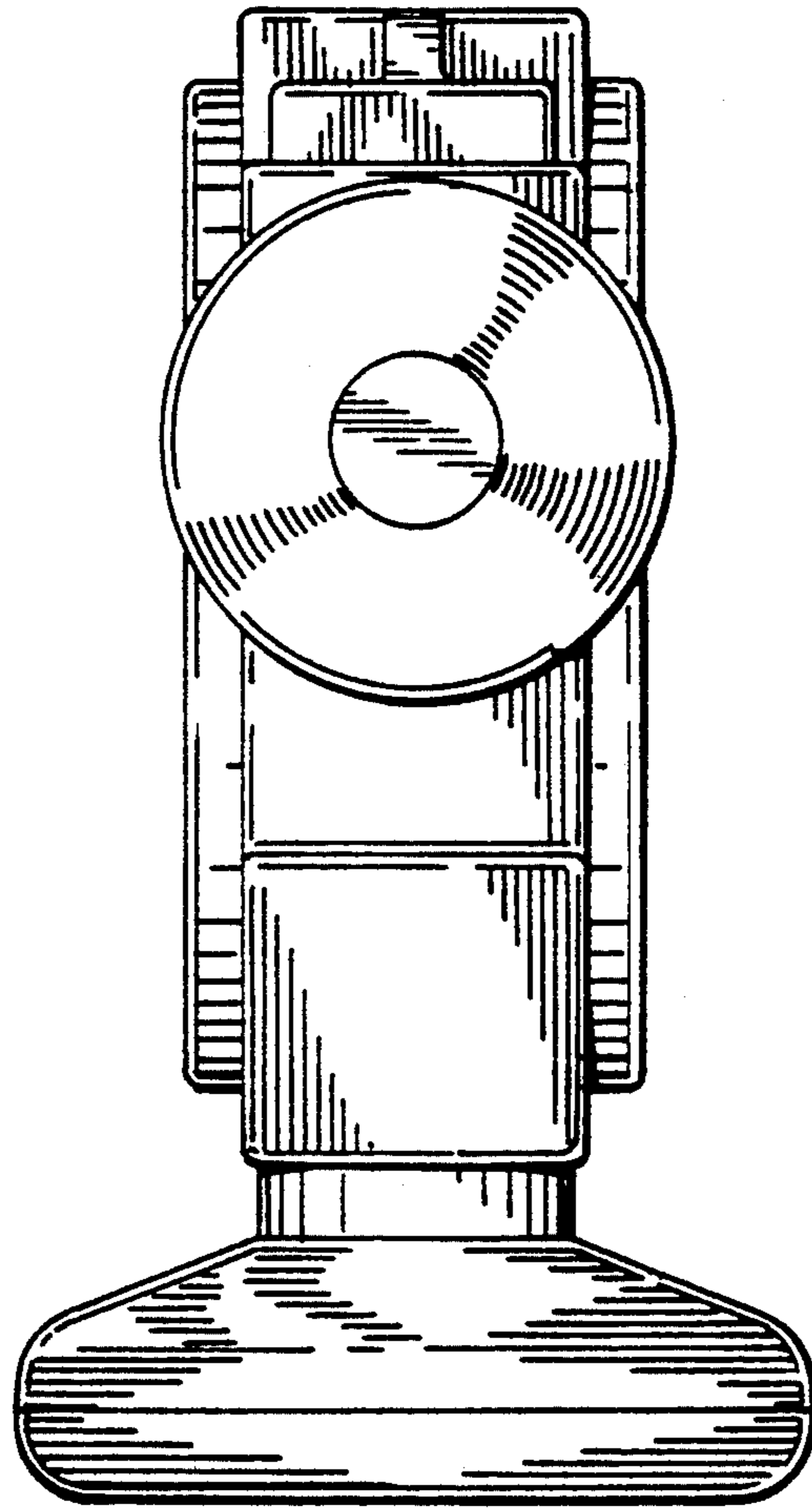


FIG. 7