



US00D329721S

# United States Patent [19]

[11] Patent Number: **Des. 329,721**

**Kruger**

[45] Date of Patent: **\*\* Sep. 22, 1992**

[54] **MIRRORED VANITY TRAY**

[75] Inventor: **Judith Kruger, Highland Park, Ill.**

[73] Assignee: **Paris Presents Incorporated, Gurnee, Ill.**

[\*\*] Term: **14 Years**

[21] Appl. No.: **562,643**

[22] Filed: **Aug. 3, 1990**

[52] U.S. Cl. .... **D28/99; D6/300; D6/484; D6/575; D7/552**

[58] Field of Search ..... **D28/61, 9, 93, 99; D6/300, 301, 484, 495, 466, 475; D11/140; D7/388, 550-554, 584, 586, 587, 500, 505, 545, 546, 548; 40/152, 152.1, 154, 155, 159.1; 248/466, 467, 469, 470, 473; 108/156**

[56] **References Cited**

**U.S. PATENT DOCUMENTS**

D. 39,557	9/1908	Hebestreit .....	D7/550
D. 92,206	5/1934	Reilly .....	D7/548
D. 102,414	12/1936	Connors .....	D6/300
D. 239,998	5/1976	Barber, Sr. ....	D6/300
D. 274,490	7/1984	Hamami .....	D6/484

D. 280,162	8/1985	Bromley .....	D6/484
D. 307,685	5/1990	Kelley et al. ....	D6/484
1,787,541	1/1931	Meyer .....	40/152
4,268,000	5/1981	Ulm .....	40/159.1 X

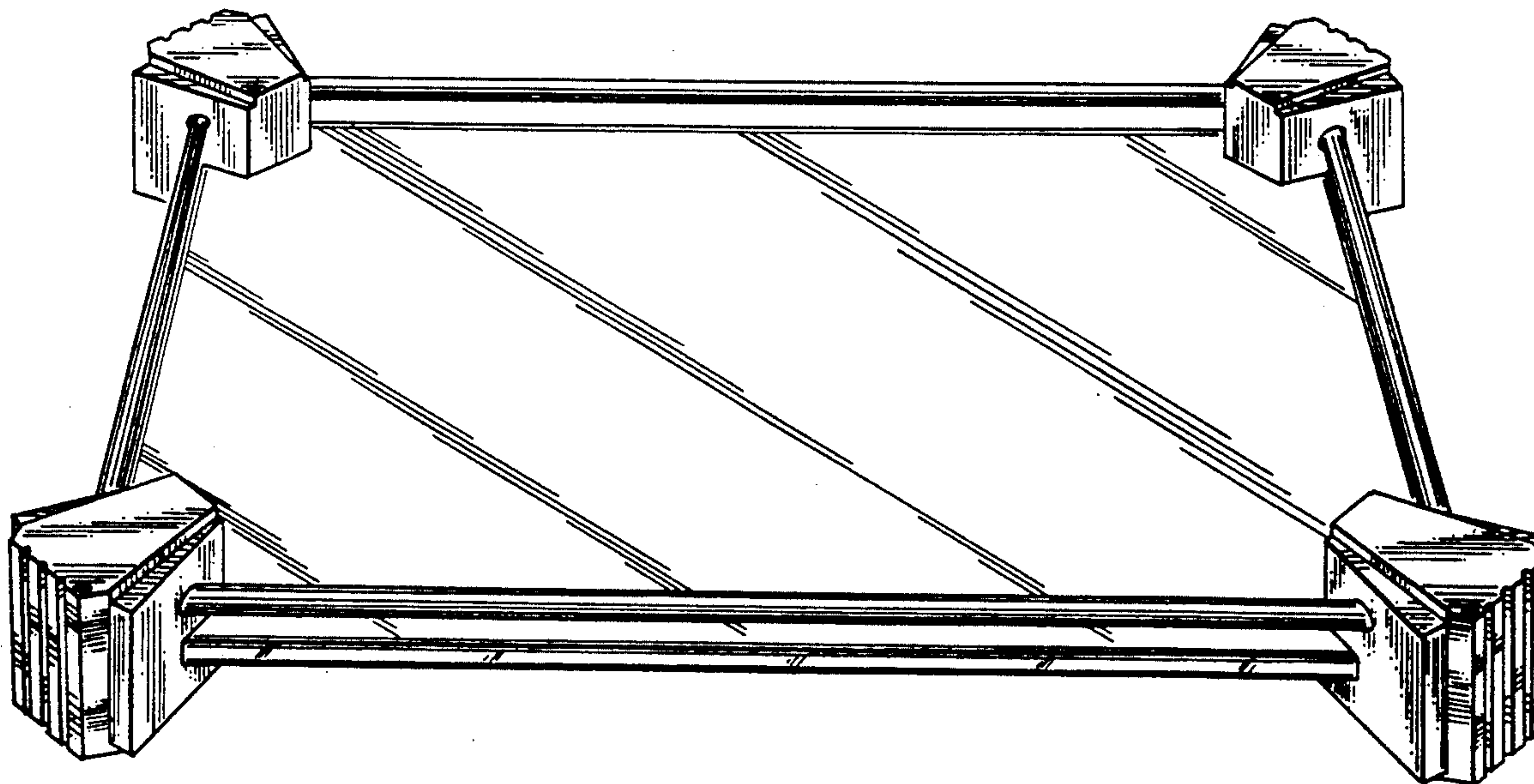
*Primary Examiner*—Bernard Ansher  
*Assistant Examiner*—C. Tuttle  
*Attorney, Agent, or Firm*—Silverman, Cass & Singer, Ltd.

[57] **CLAIM**

The ornamental design for a mirrored vanity tray, as shown and described.

**DESCRIPTION**

FIG. 1 is a front perspective view of a mirrored vanity tray showing my new design; FIG. 2 is a top plan view thereof; FIG. 3 is a side elevational view thereof, the side opposite being a mirror image of the side shown; FIG. 4 is a bottom plan view thereof; and, FIG. 5 is an end elevational view, the side opposite being a mirror image of the side shown. The opposite side elevational view is the mirror image of the side shown in FIG. 3. The opposite end-on elevational view is the mirror image of the end shown in FIG. 5.



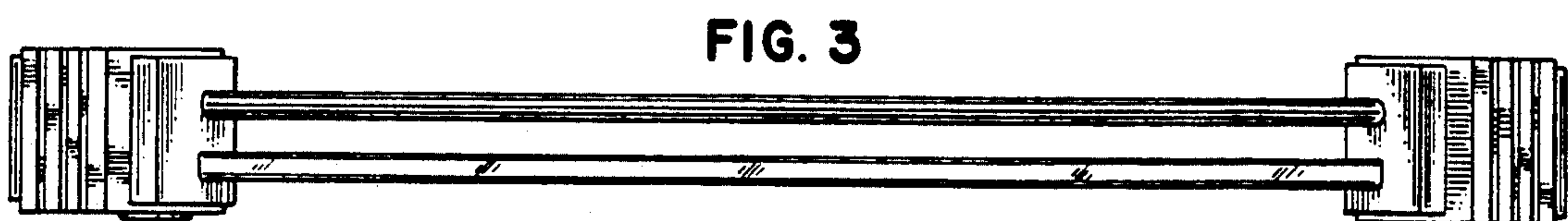
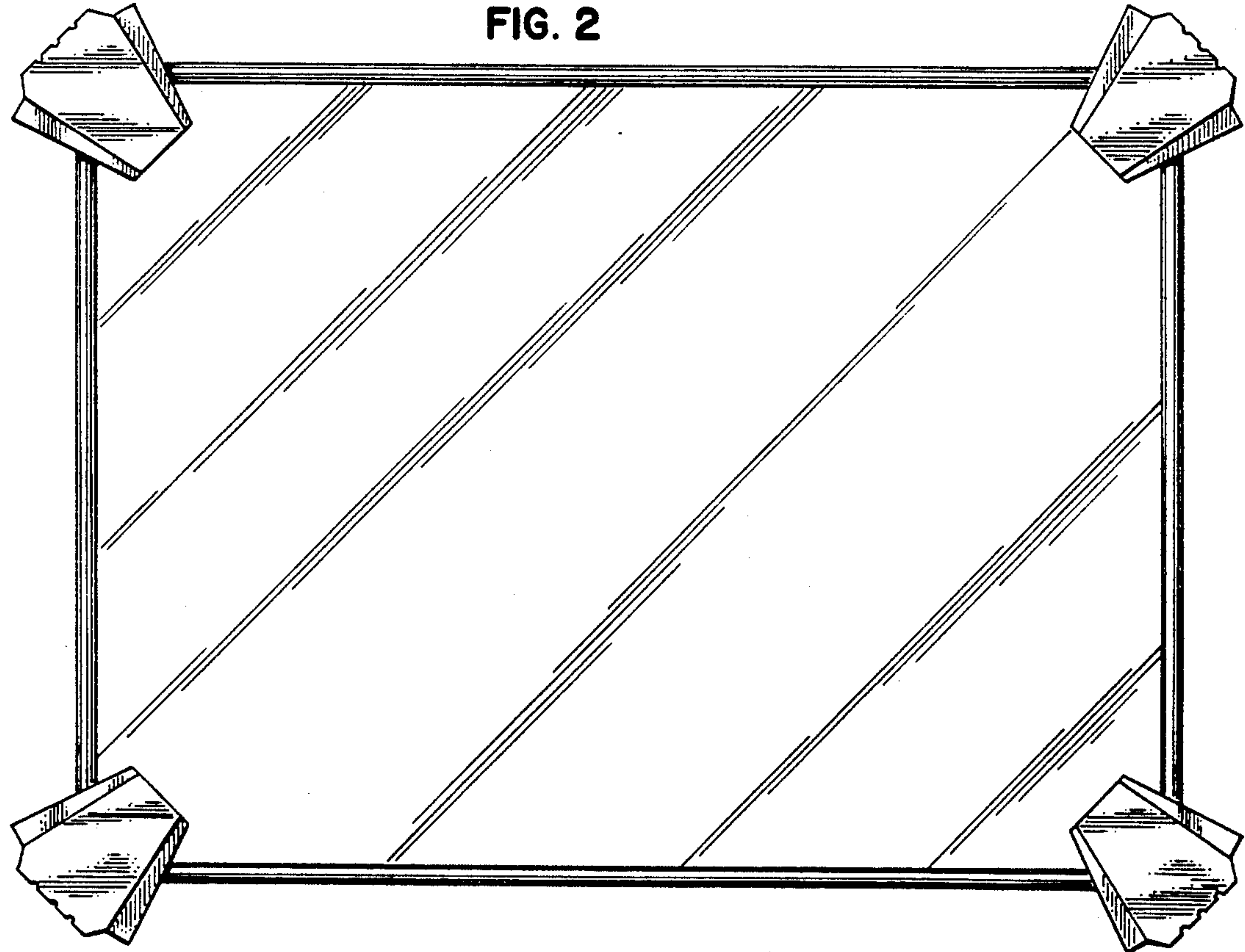
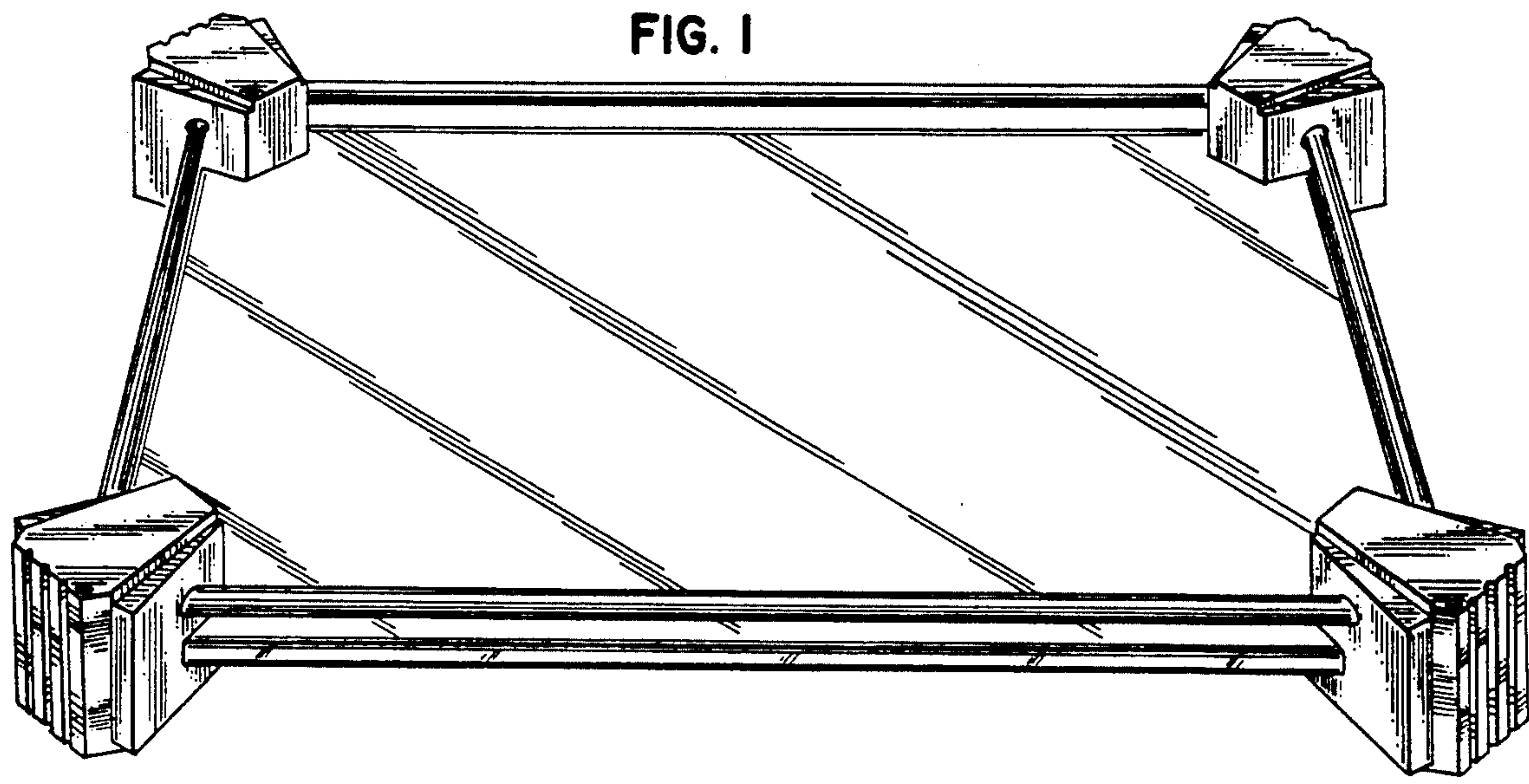




FIG. 4

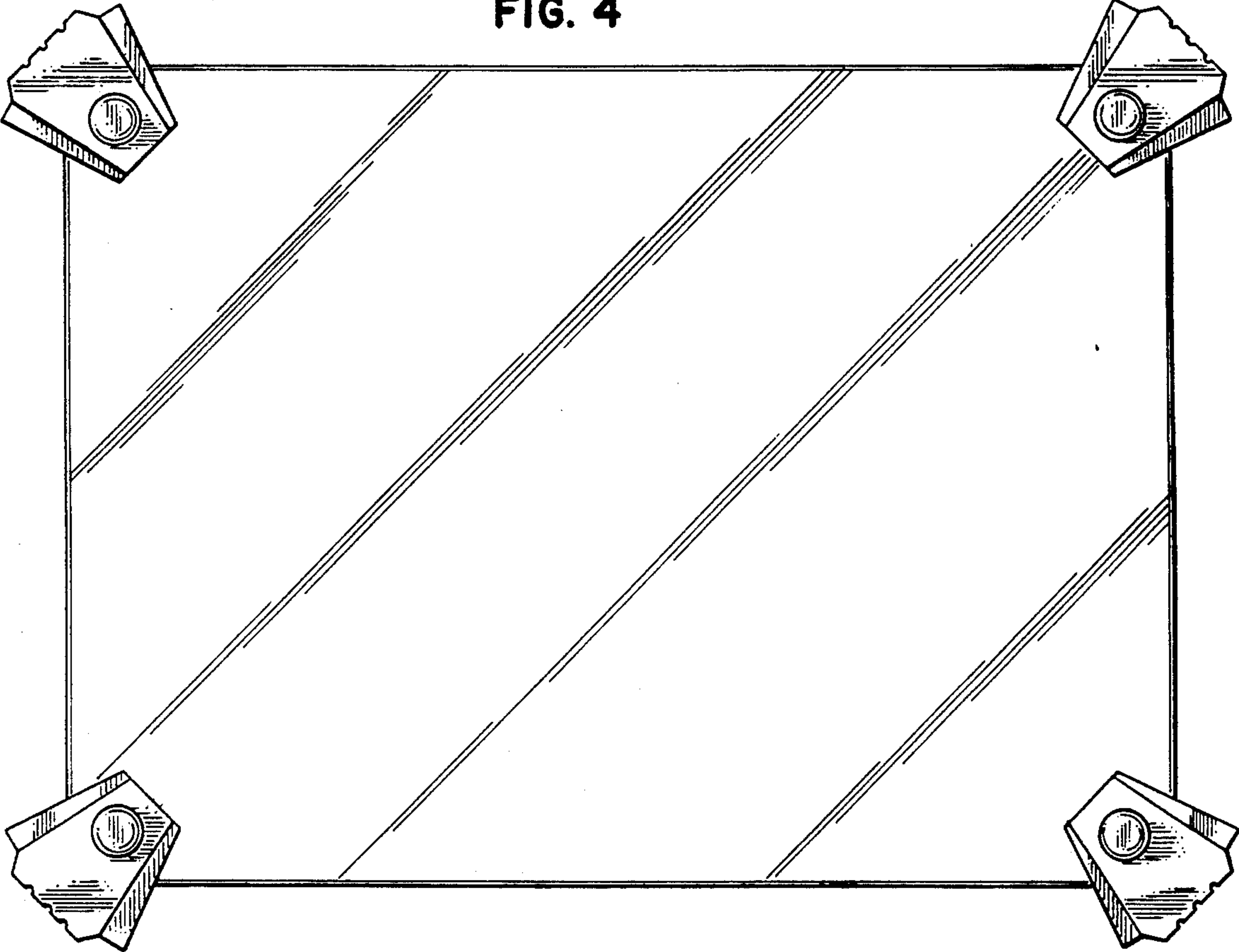


FIG. 5

