



US00D329718S

United States Patent [19] Sulik

[11] Patent Number: **Des. 329,718**

[45] Date of Patent: **** Sep. 22, 1992**

- [54] NAIL POLISH REMOVER
- [75] Inventor: **Joseph M. Sulik, Beacon Falls, Conn.**
- [73] Assignee: **Remington Products, Inc.,
Bridgeport, Conn.**
- [**] Term: **14 Years**
- [21] Appl. No.: **542,012**
- [22] Filed: **Jun. 22, 1990**
- [52] U.S. Cl. **D28/58**
- [58] Field of Search **D28/9, 56-59,
D28/61, 44, 49-50, 53, 73; D4/102, 100, 116;
D24/138, 200, 211-215; 132/73, 73.5, 73.6,
74.5, 75, 75.3, 75.4, 75.5, 75.6, 75.8, 76.2, 76.4,
76.5; 15/230, 230.19, 23-28**

- D. 250,228 11/1978 Long D4/102
- D. 301,398 6/1989 Cheung D4/100
- 3,162,876 12/1964 Aronson, II et al. 15/28

FOREIGN PATENT DOCUMENTS

- 2092003 8/1982 United Kingdom 15/28

Primary Examiner—Bernard Ansher
Assistant Examiner—C. Tuttle
Attorney, Agent, or Firm—Melvin I. Stoltz

[57] CLAIM

The ornamental design for a nail polish remover, as shown and described.

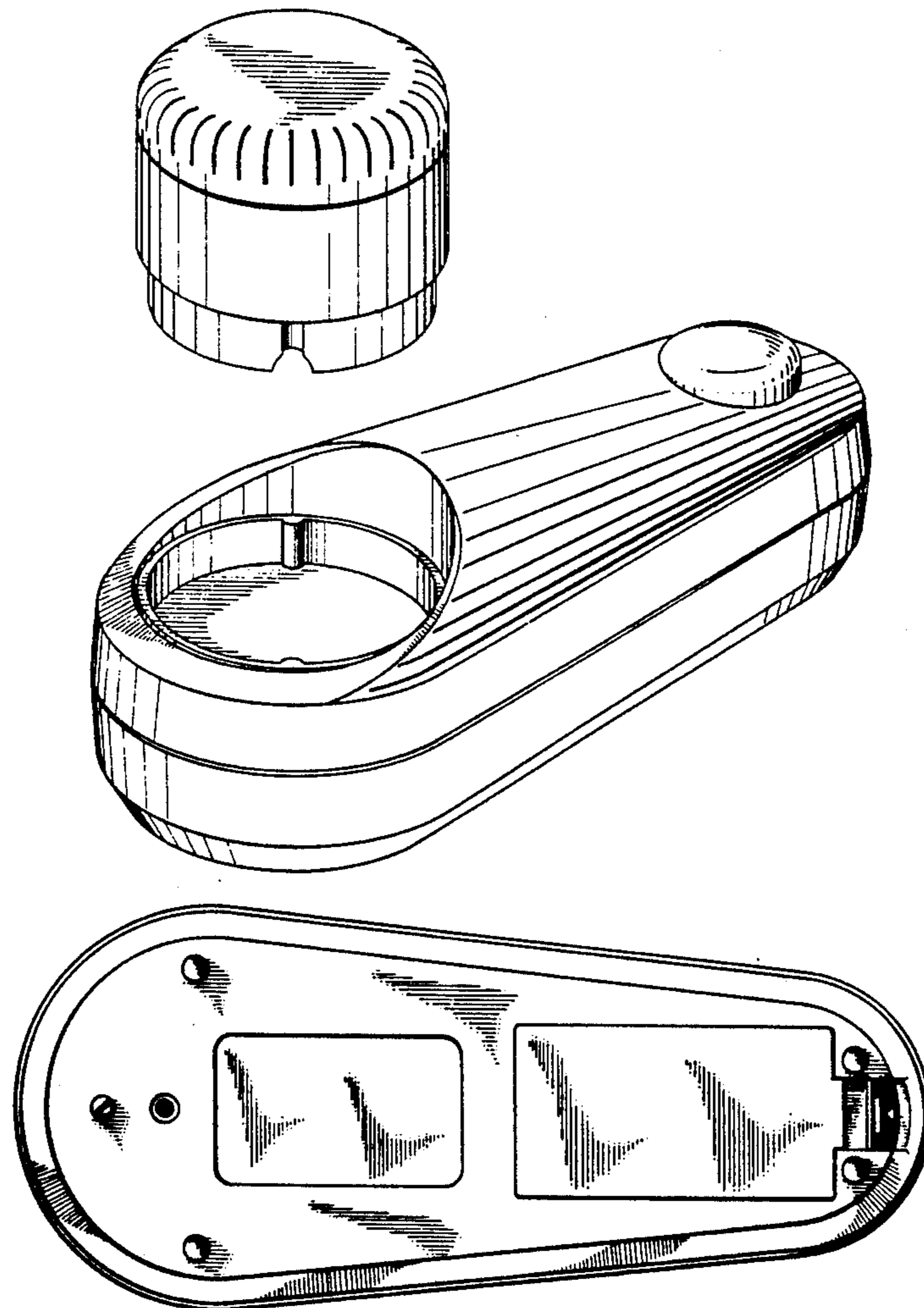
DESCRIPTION

FIG. 1 is an exploded perspective view of a nail polish remover showing my new design;
 FIG. 2 is a front elevational view of the assembled article;
 FIG. 3 is a rear elevational view thereof;
 FIG. 4 is a top plan view thereof;
 FIG. 5 is a right side elevational view thereof, the side opposite being a mirror image of the side shown; and,
 FIG. 6 is a bottom plan view thereof.

[56] References Cited

U.S. PATENT DOCUMENTS

- D. 110,939 8/1938 Aronson D28/50
- D. 199,155 9/1964 Wedemeyer D4/102
- D. 200,293 2/1965 Polatchek D4/102
- D. 235,170 5/1975 McNair D24/214 X



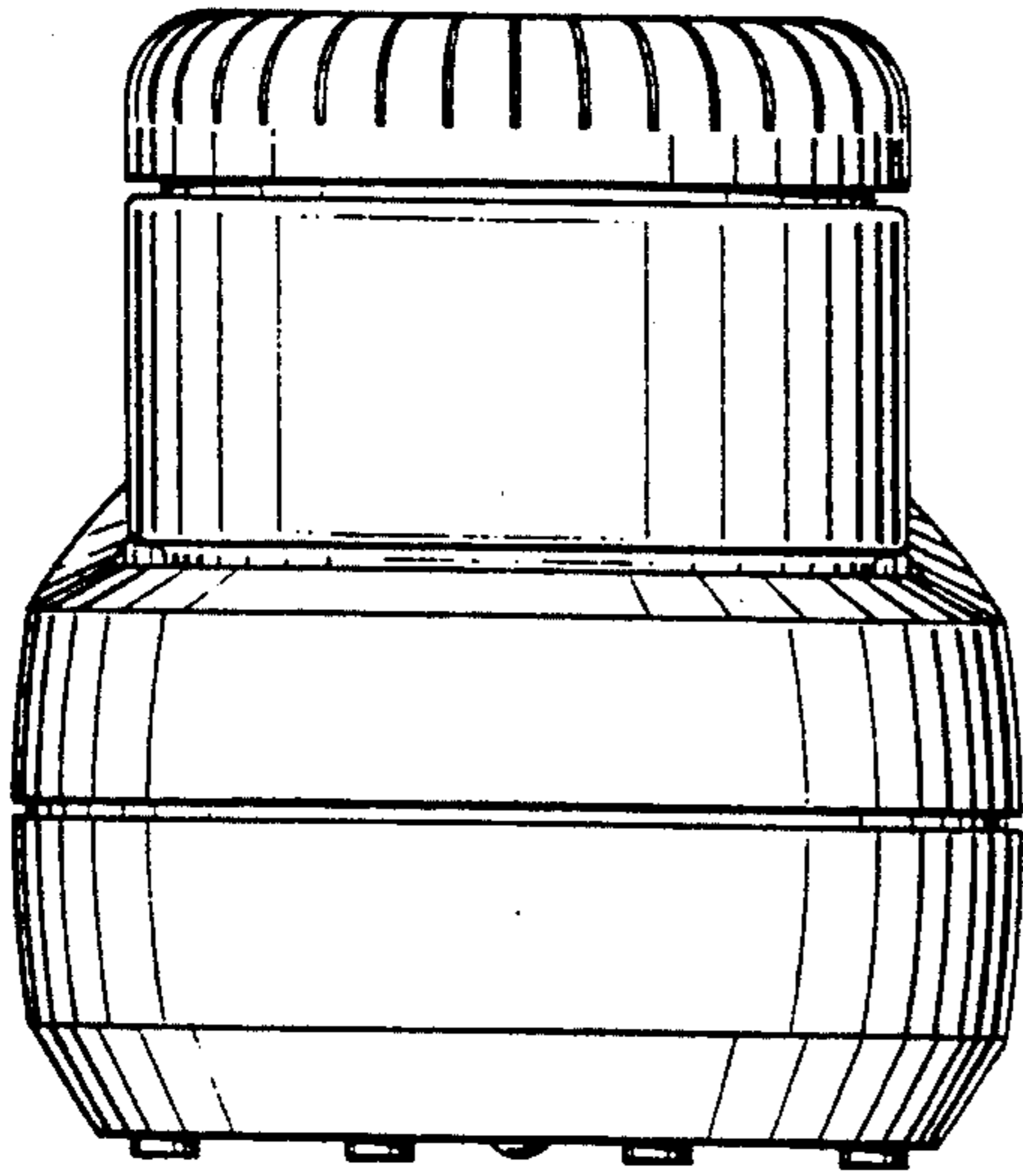


FIG. 2

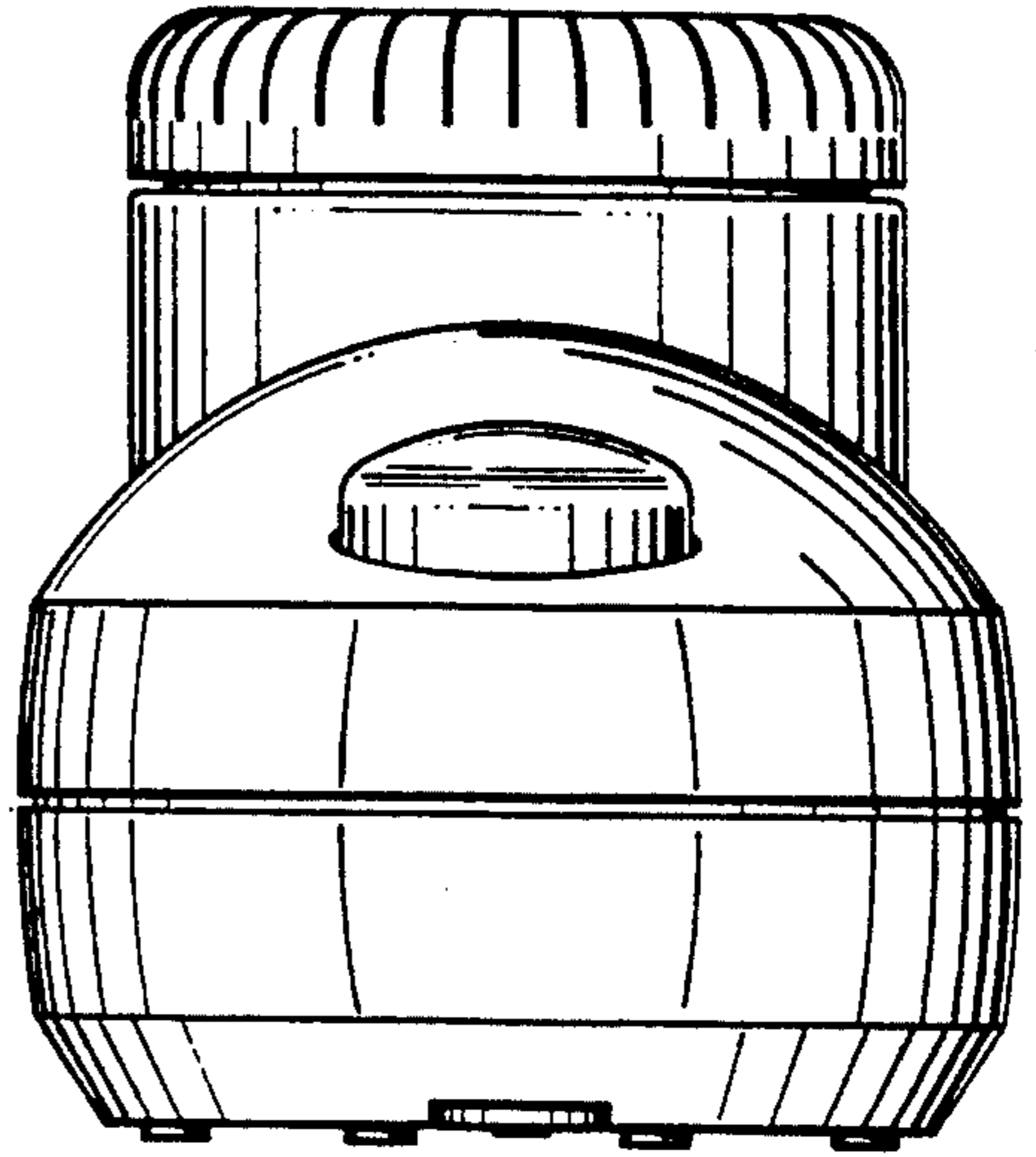


FIG. 3

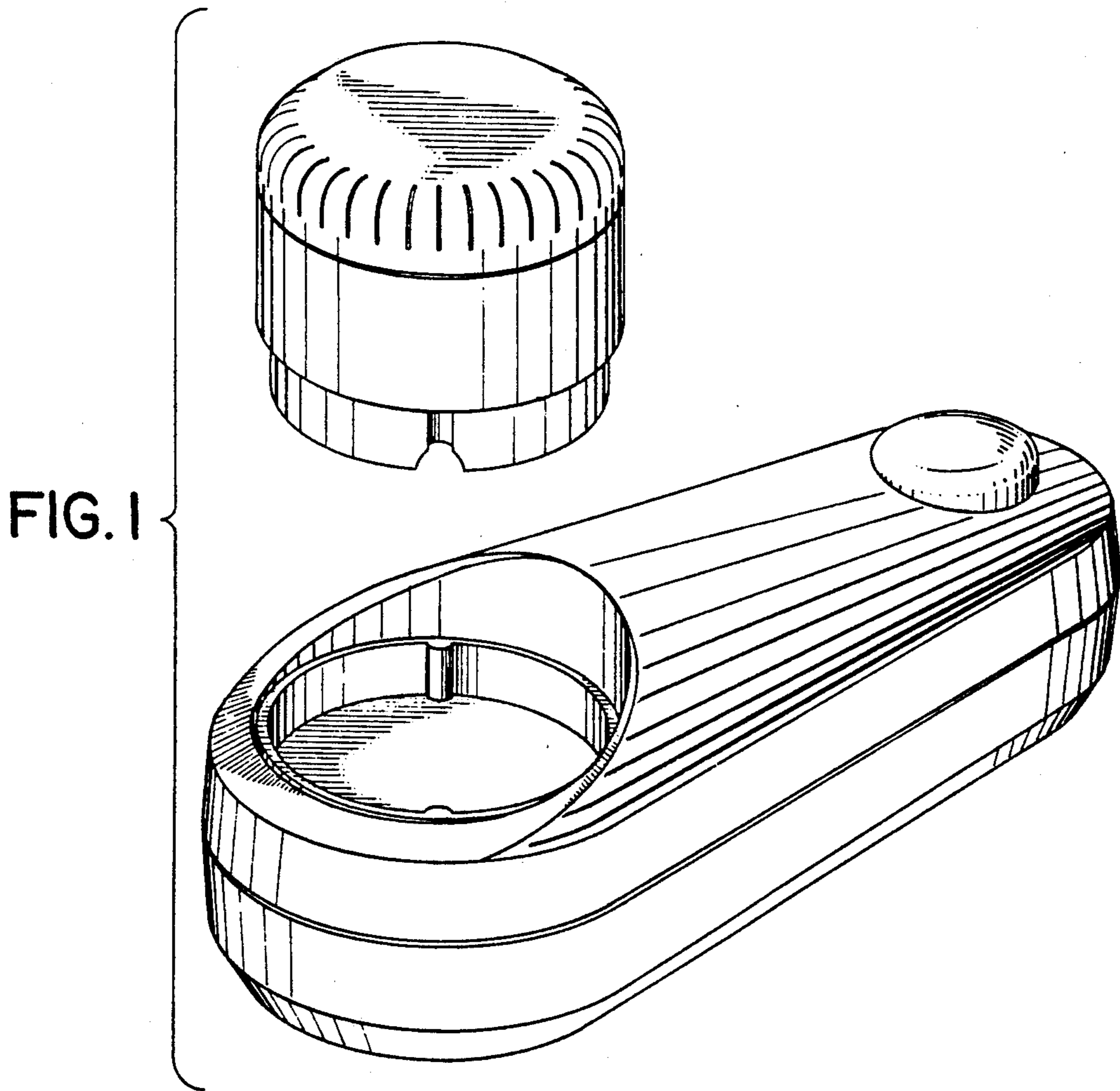


FIG. 1

FIG. 4

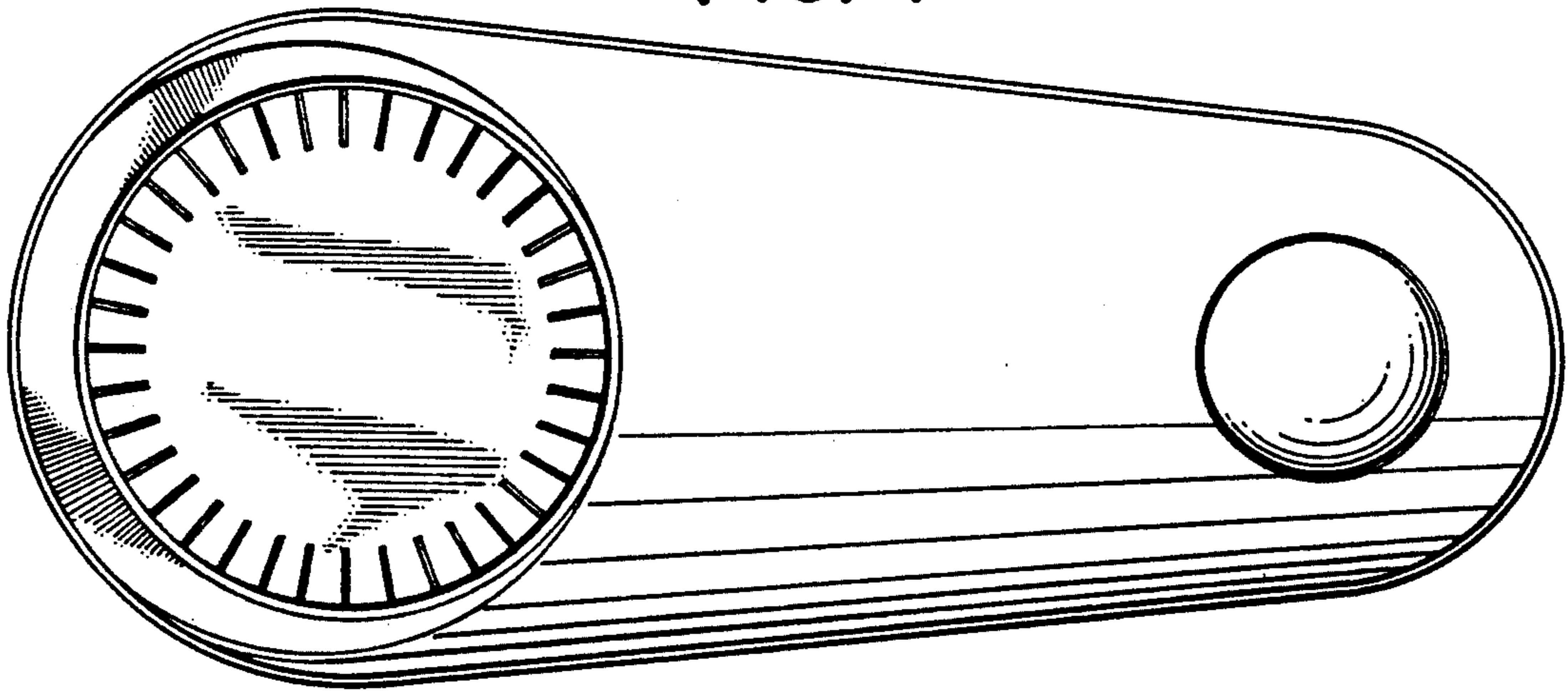


FIG. 5

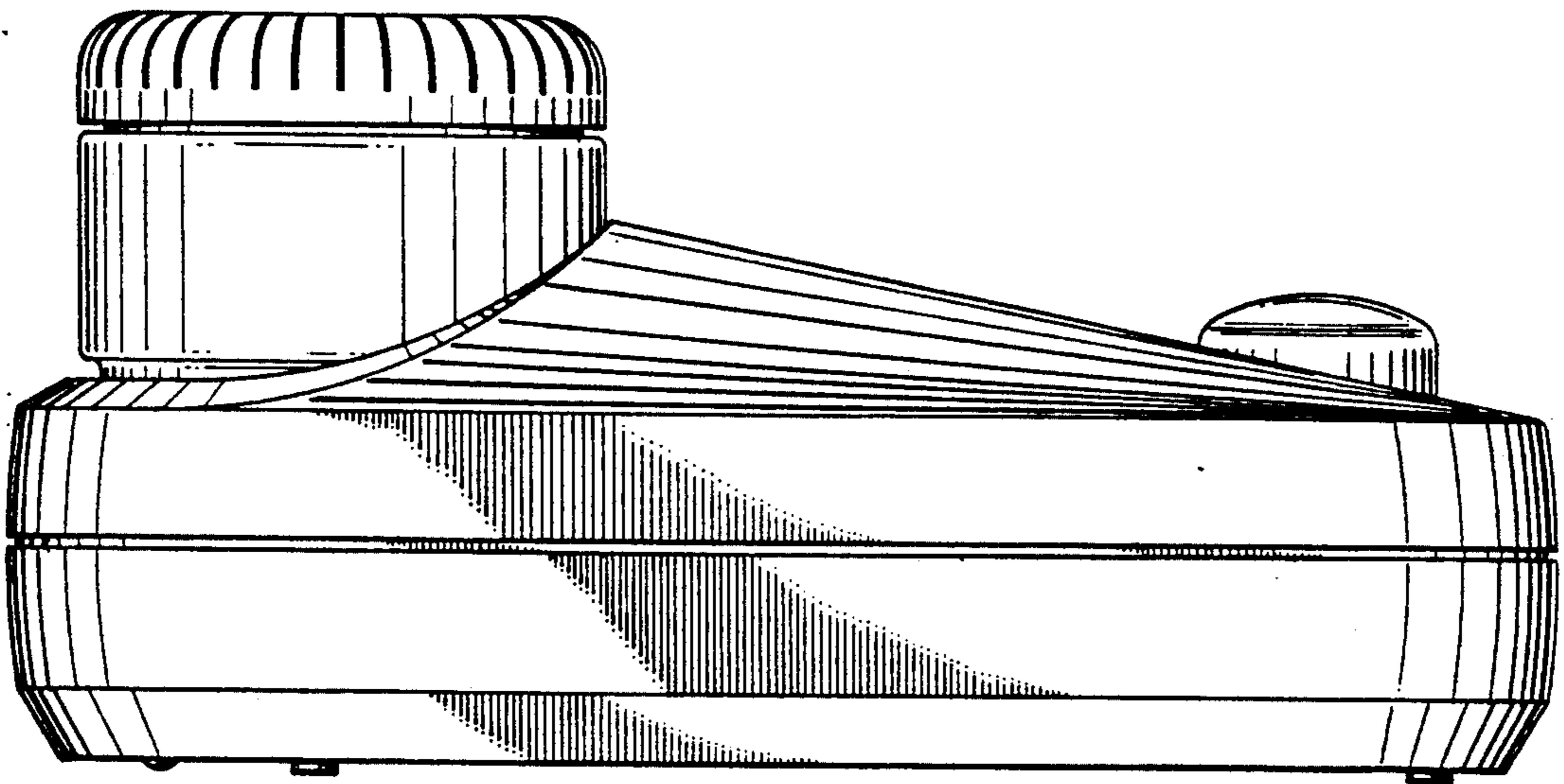


FIG. 6

