



US00D329714S

United States Patent [19]

McIngvale, Jr. et al.

[11] Patent Number: **Des. 329,714**

[45] Date of Patent: **** Sep. 22, 1992**

- [54] **EXTERIOR LIGHTING FIXTURE**
- [75] Inventors: **James D. McIngvale, Jr.,** Hernando, Miss.; **Robert Scofield,** Cordova, Tenn.
- [73] Assignee: **F. L. Industries, Inc.,** Livingston, N.J.
- [**] Term: **14 Years**
- [21] Appl. No.: **610,981**
- [22] Filed: **Nov. 5, 1990**
- [52] U.S. Cl. **D26/71**
- [58] Field of Search **D26/72, 80-92, D26/67-71; 362/362, 363, 432, 431, 367**

- D. 302,047 7/1989 Flannery et al. D26/71
- 4,595,971 6/1986 Dean 362/431 X
- 4,905,132 2/1990 Singarayar et al. 362/431 X

Primary Examiner—Susan J. Lucas
Attorney, Agent, or Firm—John G. Gilfillan, III;
 Raymond J. Lillie

[57] CLAIM

The ornamental design for a exterior lighting fixture, as shown and described.

DESCRIPTION

FIG. 1 is a top plan view of the exterior lighting fixture showing our new design;
 FIG. 2 is a left side elevational view thereof, the right side being a mirror image;
 FIG. 3 is a front elevational view thereof;
 FIG. 4 is a bottom plan view thereof; and,
 FIG. 5 is a rear elevational view thereof.

- [56] **References Cited**
U.S. PATENT DOCUMENTS
 D. 179,339 12/1956 Clark et al. D26/71 X

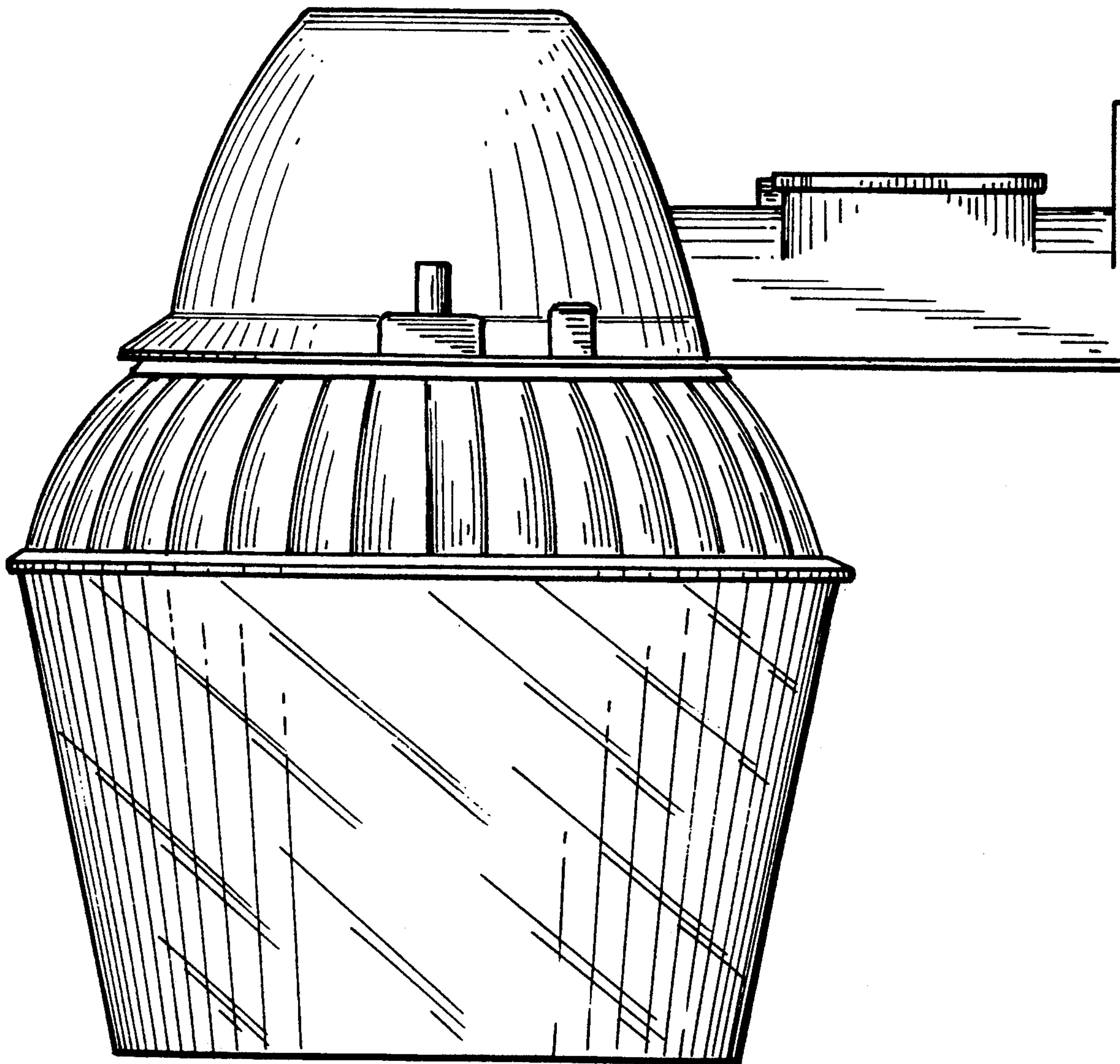


FIG. 1

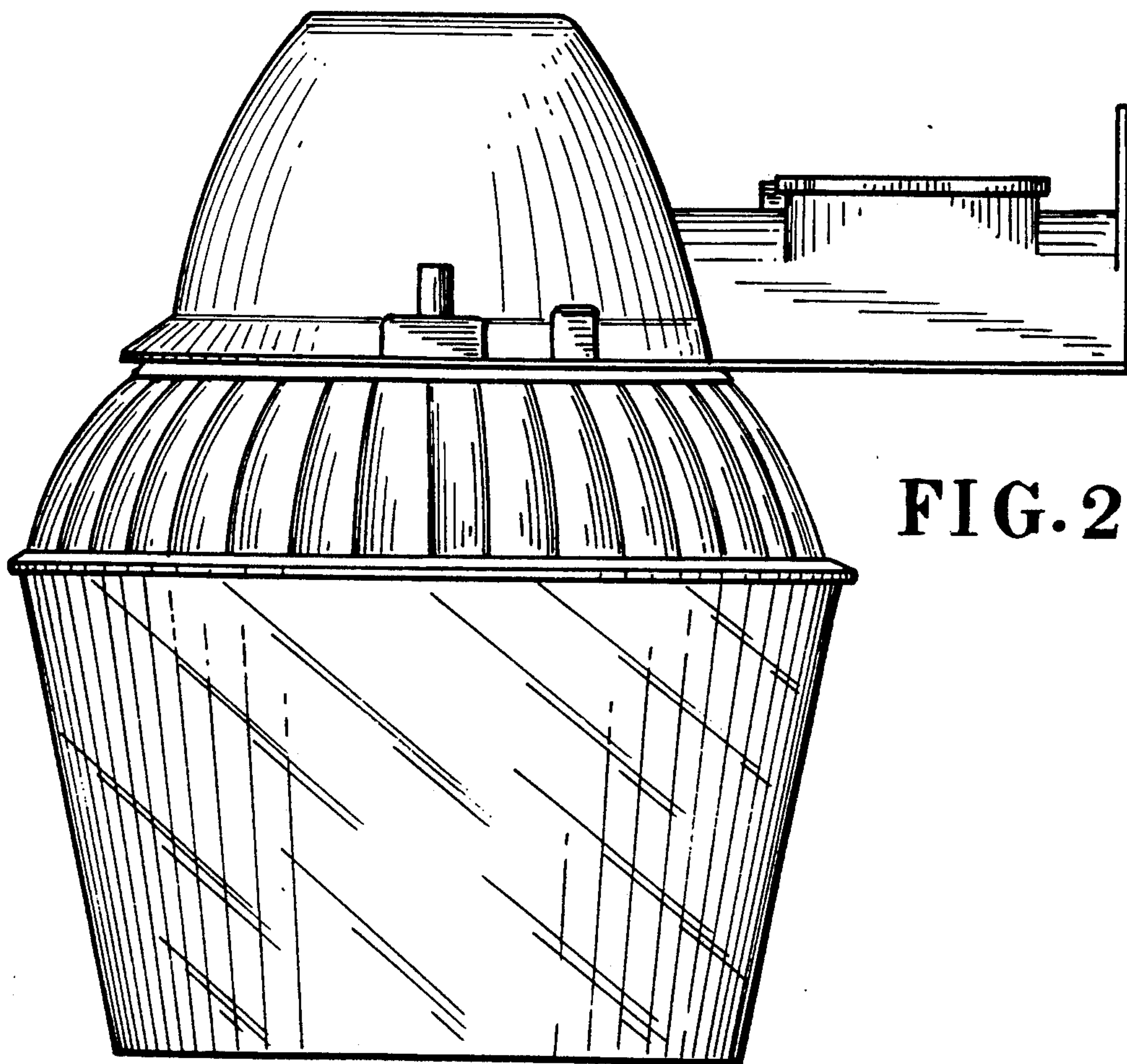
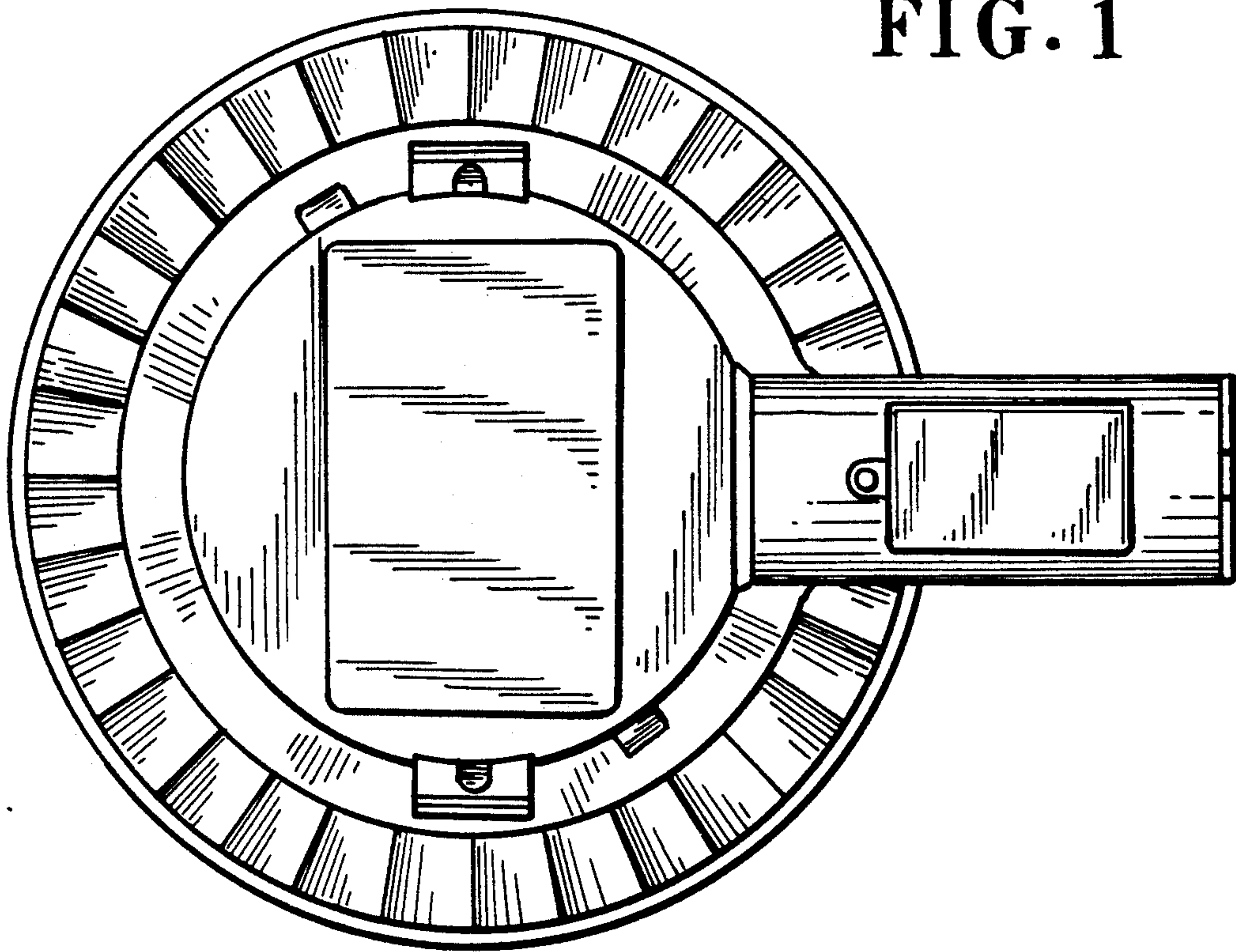


FIG. 2

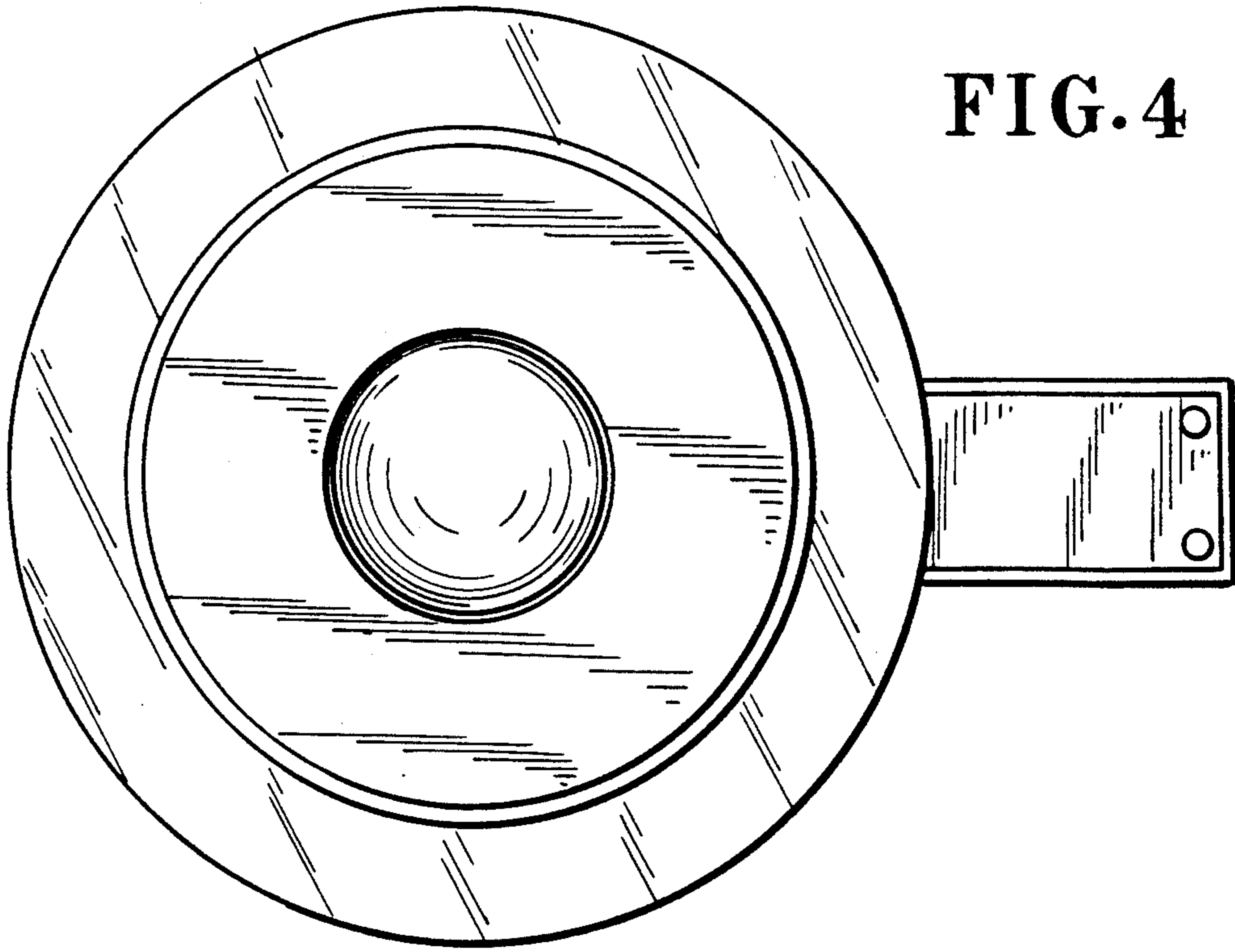


FIG. 4

FIG. 3

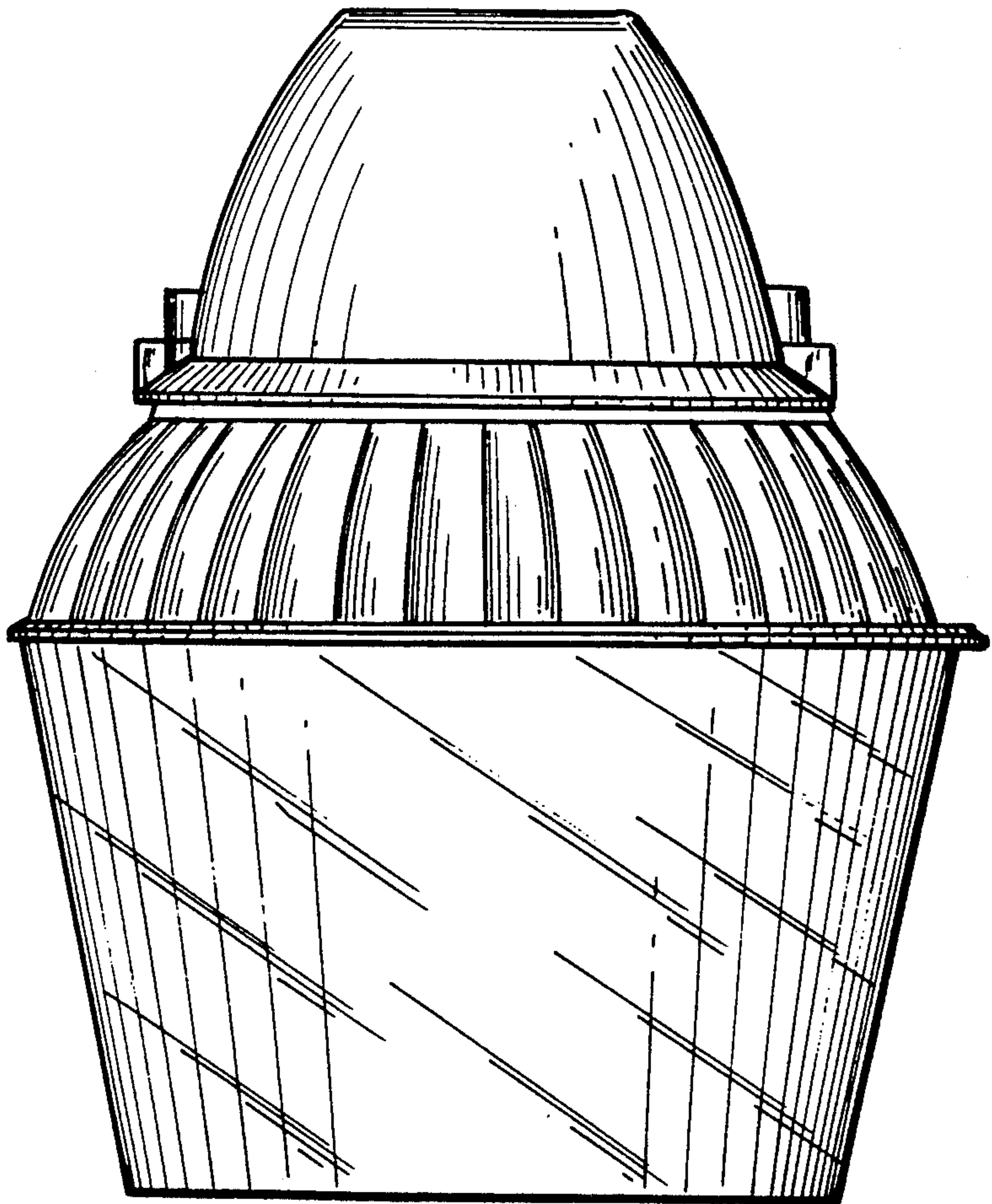


FIG. 5

