



US00D329713S

United States Patent [19]

Meyer et al.

[11] Patent Number: **Des. 329,713**

[45] Date of Patent: **** Sep. 22, 1992**

[54] **ADJUSTABLE LAMP**

[75] Inventors: **Carl X. Meyer**, Grantwood Village; **Louis O. Vitto**, St. Louis; **David P. Burchell**, Valley Park; **James A. Schmid**, St. Louis, all of Mo.

[73] Assignee: **Dazor Manufacturing Corp.**, St. Louis, Mo.

[**] Term: **14 Years**

[21] Appl. No.: **596,905**

[22] Filed: **Oct. 12, 1990**

[52] U.S. Cl. **D26/65**

[58] Field of Search **D26/60-66, D26/24; 362/269, 277, 285, 413, 418, 419, 427, 401, 402**

[56] **References Cited**

U.S. PATENT DOCUMENTS

D. 285,357	8/1986	Pritchett	D26/61
D. 286,082	10/1986	Schwisha	D26/61
4,280,172	7/1981	Krogsrud	362/269

Primary Examiner—Susan J. Lucas
Attorney, Agent, or Firm—Cohn, Powell & Hind

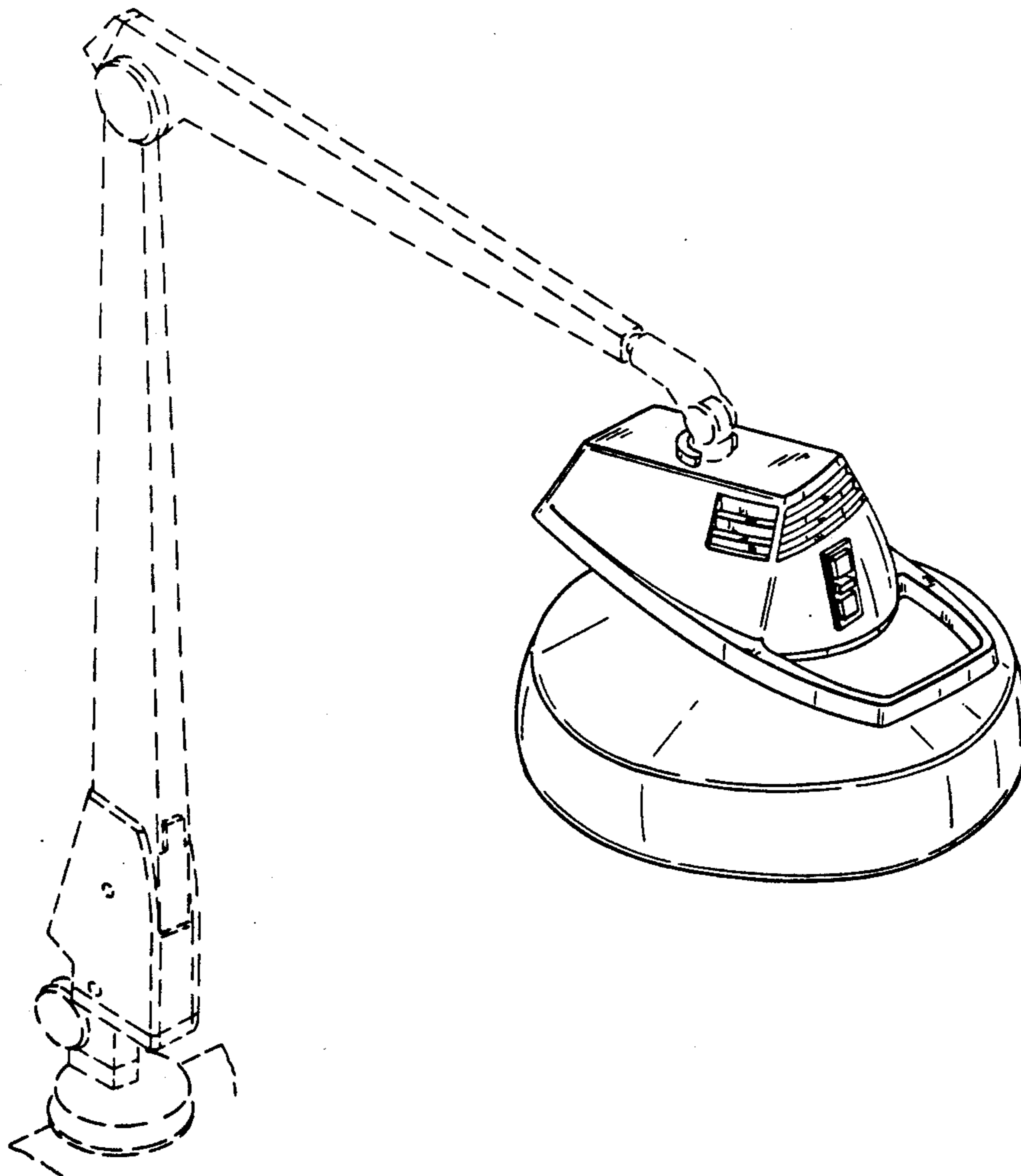
[57] **CLAIM**

The ornamental design for an adjustable lamp, as shown and described.

DESCRIPTION

FIG. 1 is a top, front, left side perspective view of an adjustable lamp showing our new design; FIG. 2 is a top plan view thereof on an enlarged scale; FIG. 3 is a front elevational view thereof on an enlarged scale; FIG. 4 is a right side elevational view thereof relative to the front of the lamp on an enlarged scale; FIG. 5 is a left side elevational view thereof relative to the front of the lamp on an enlarged scale; FIG. 6 is a rear elevational view thereof on an enlarged scale; and, FIG. 7 is a bottom plan view thereof on an enlarged scale.

The articulated arm and the circular fluorescent lamp are shown in broken lines for illustrative purposes only and form no part of the claimed design.



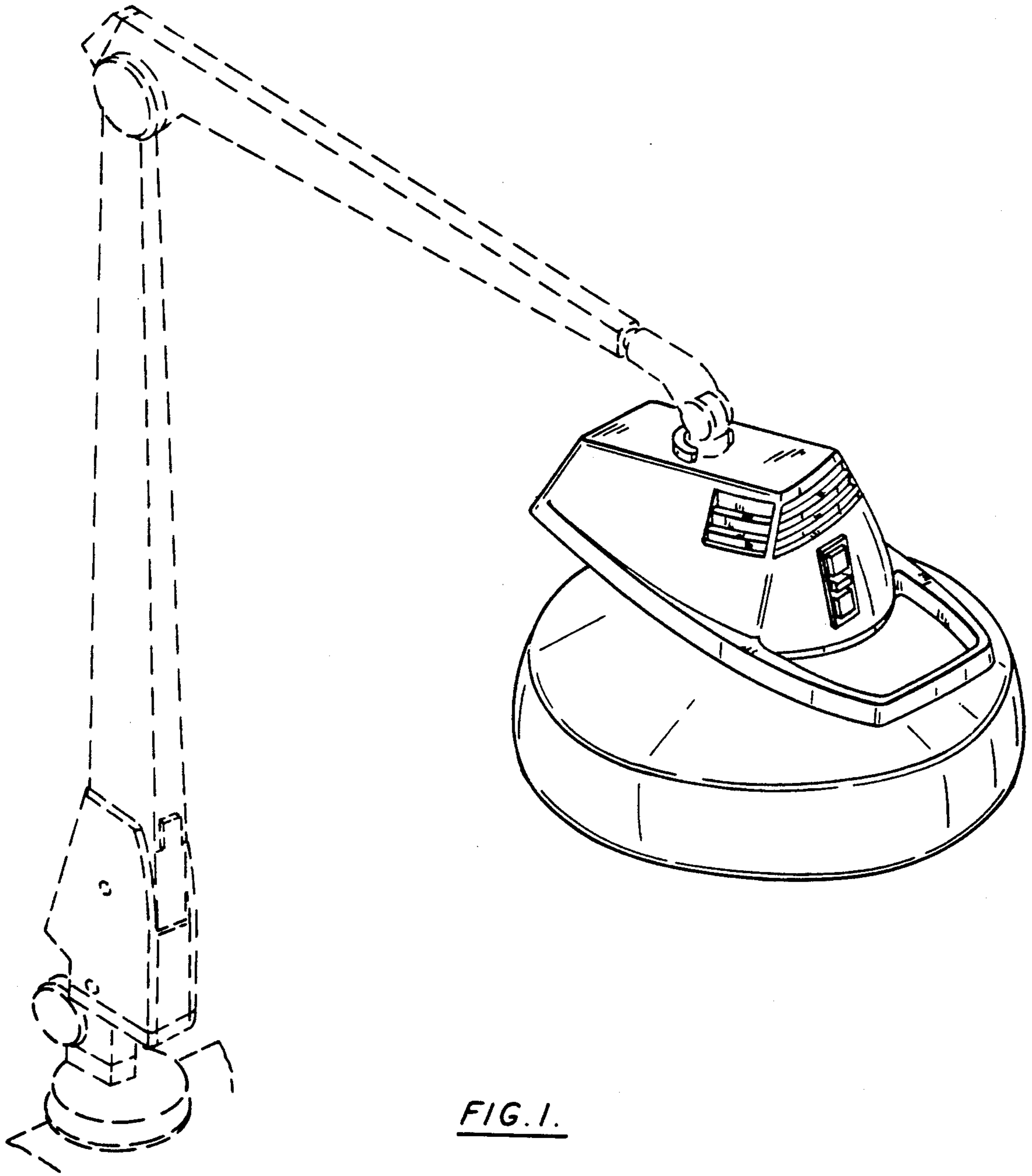


FIG. 1.

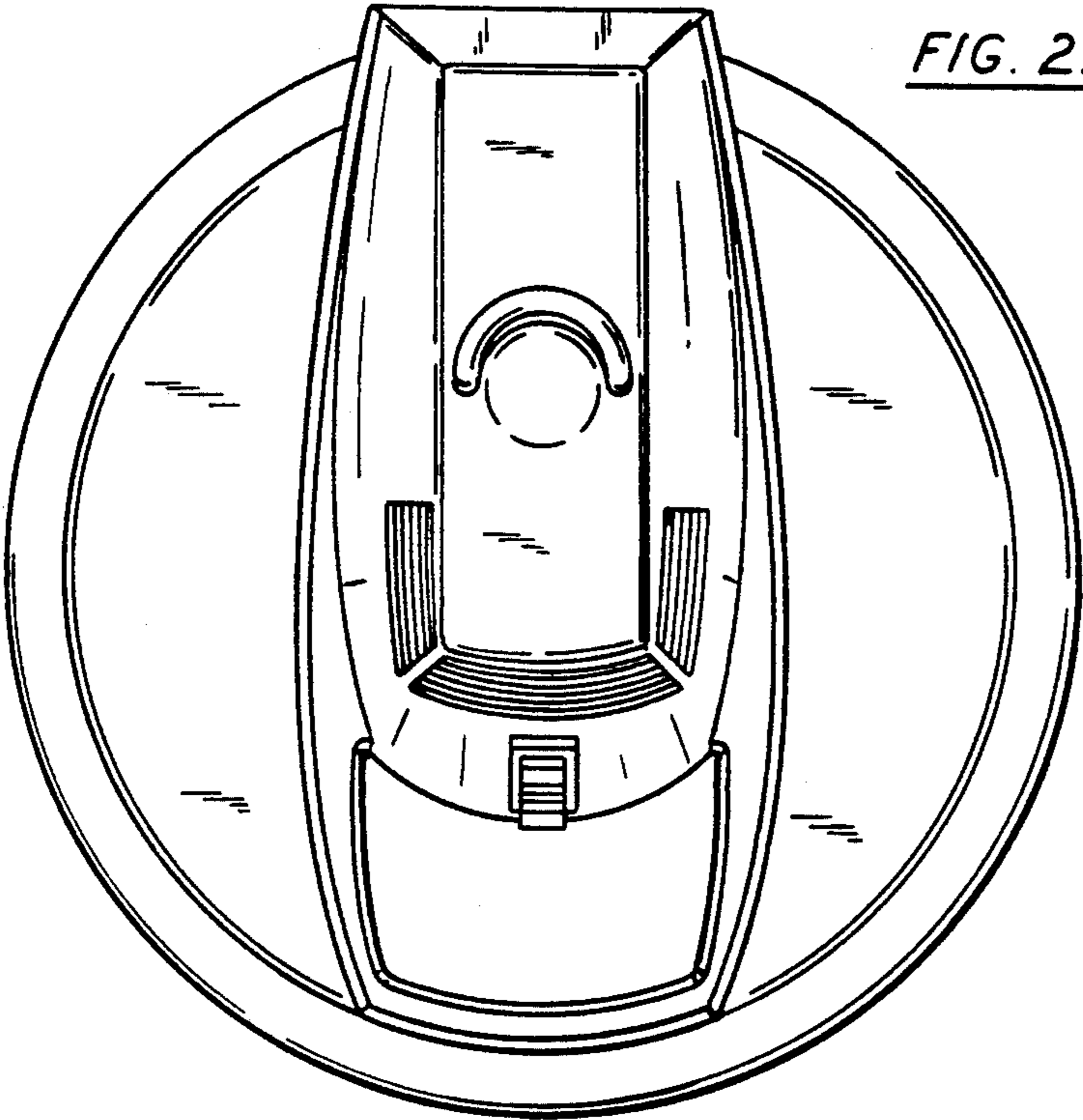


FIG. 2.

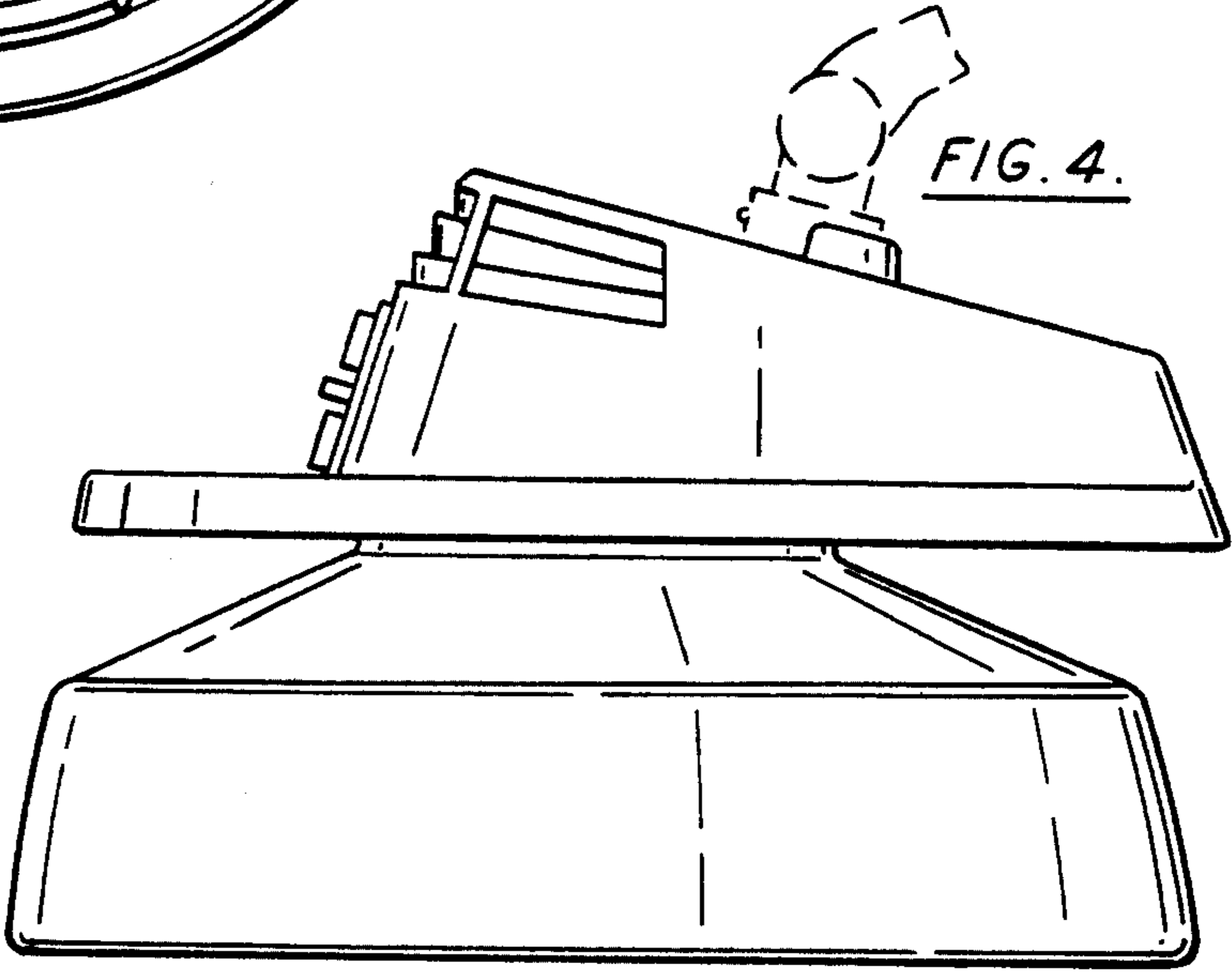


FIG. 4.

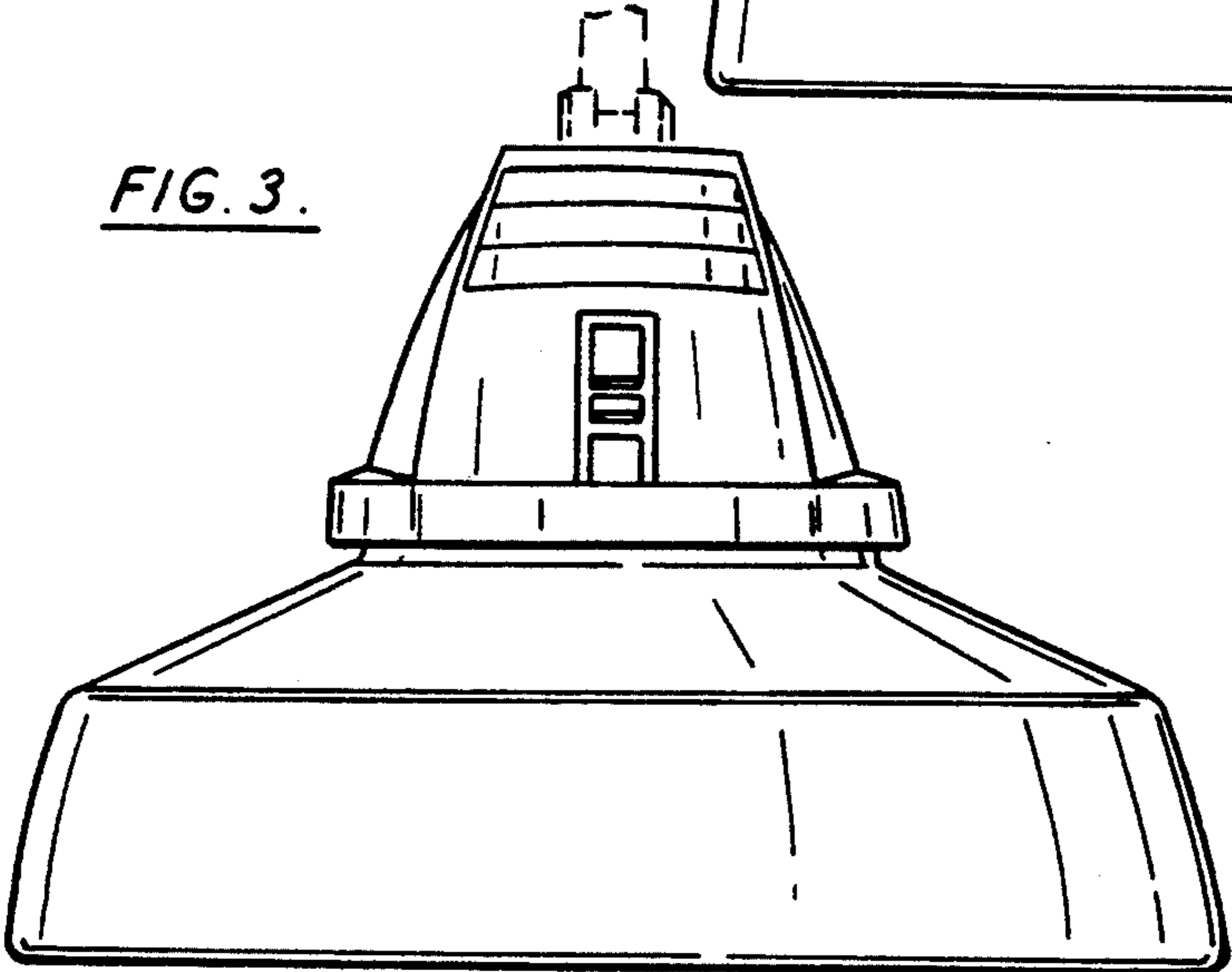


FIG. 3.

FIG. 5.

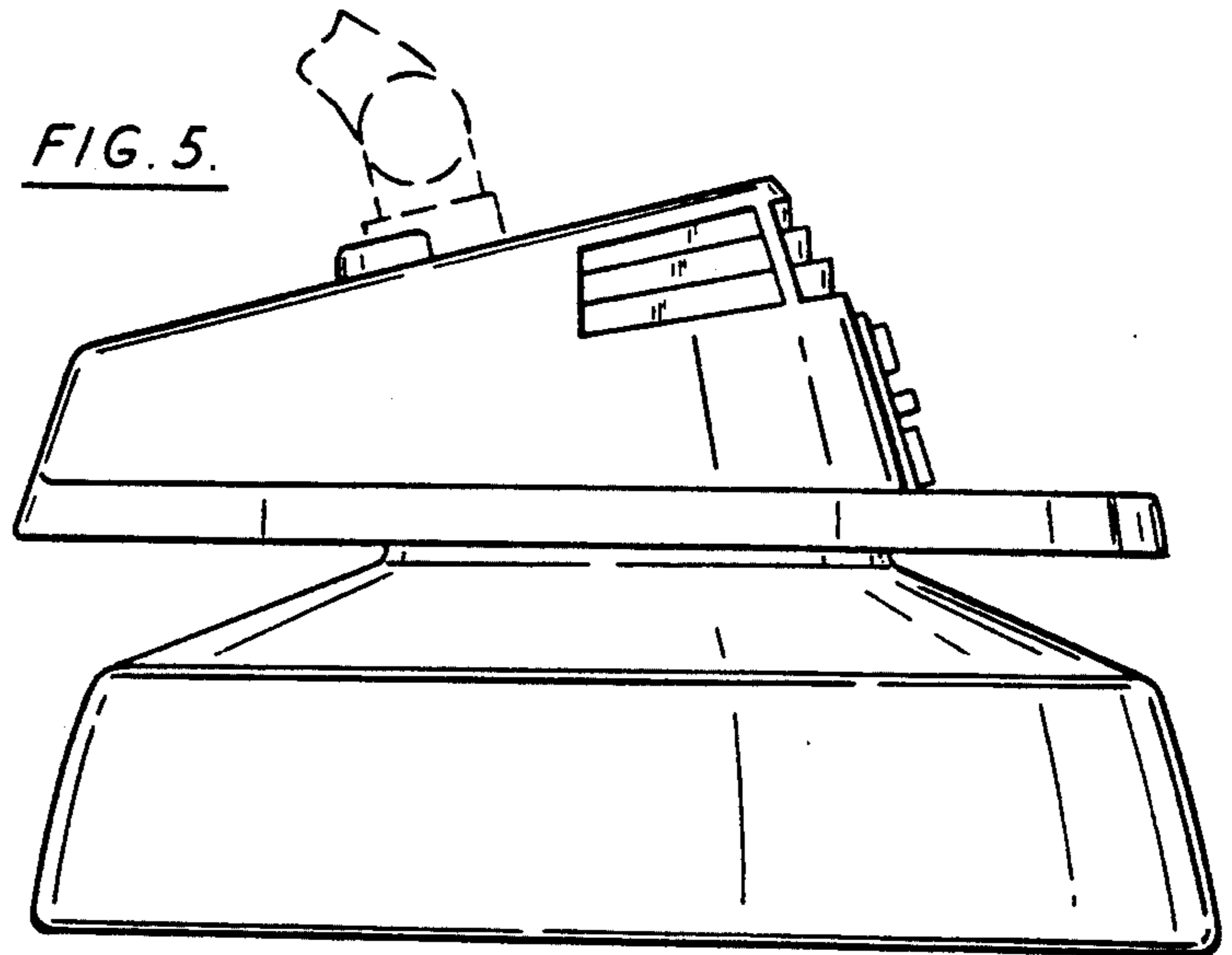


FIG. 6.

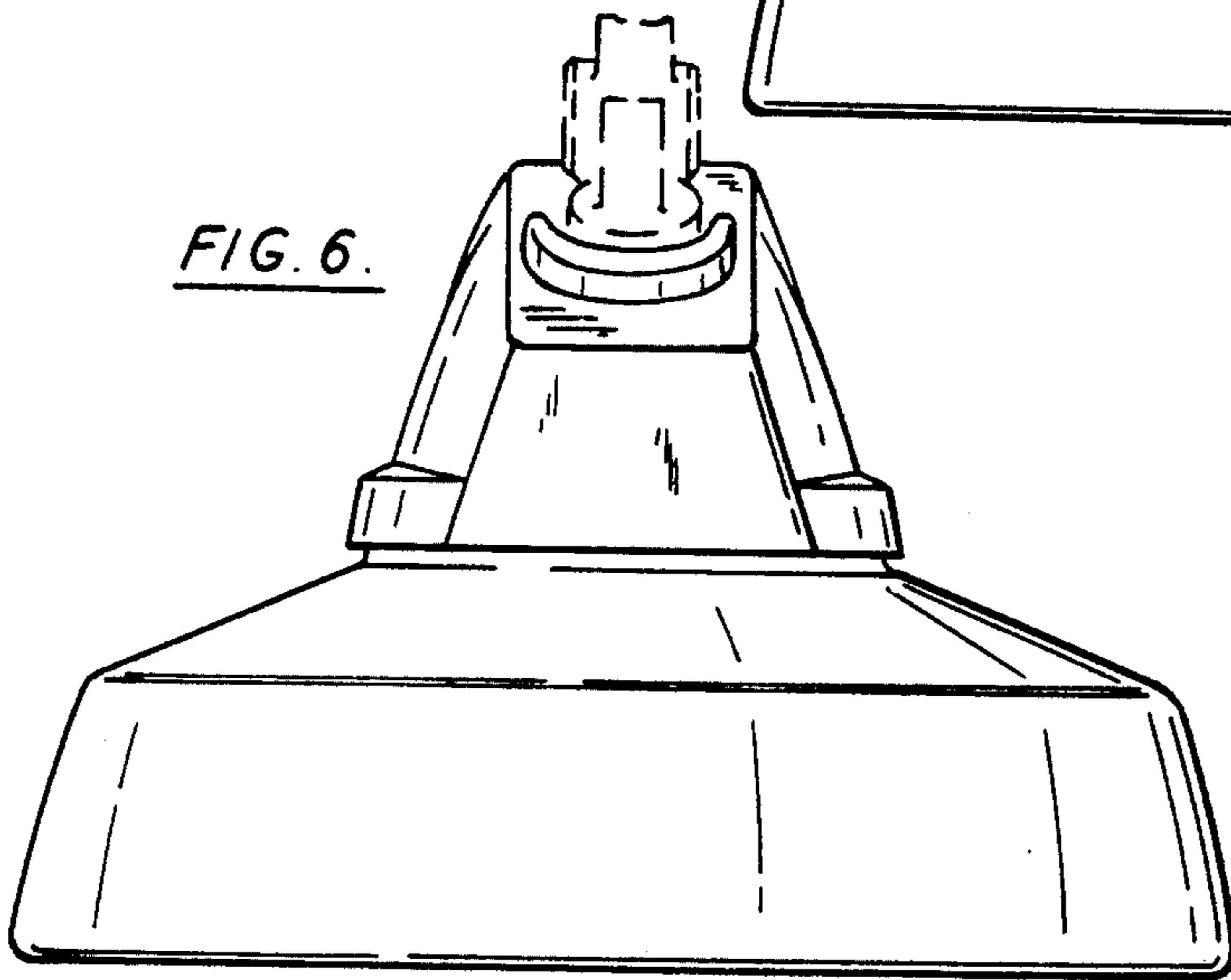


FIG. 7.

