



US00D329711S

United States Patent [19]

[11] Patent Number: **Des. 329,711**

Adams et al.

[45] Date of Patent: **** Sep. 22, 1992**

[54] **COMBINED TABLE LAMP AND CLOCK**

D. 264,442 5/1982 Diskin D10/6 X

[76] Inventors: **Timothy J. Adams; Margaret T. Adams**, both of 64 Laurie Dr., Novato, Calif. 94947

OTHER PUBLICATIONS

Hajoca Plumbing & Heating Materials Catalog, 1953, p. 144, Krupp Sanitary T Pipe Fitting.

[**] Term: **14 Years**

Primary Examiner—Susan J. Lucas

[21] Appl. No.: **528,448**

Attorney, Agent, or Firm—Larry D. Johnson

[22] Filed: **May 25, 1990**

[57] CLAIM

[52] U.S. Cl. **D26/54; D10/5; D26/94**

The ornamental design for a combined table lamp and clock, as shown and described.

[58] Field of Search **D10/5, 6; 362/23, 86, 362/410, 411, 412, 413, 414, 431, 806, 808; 368/278; D26/51, 54, 57, 93, 94, 102-112, ; D11/157; D20/29; D19/97**

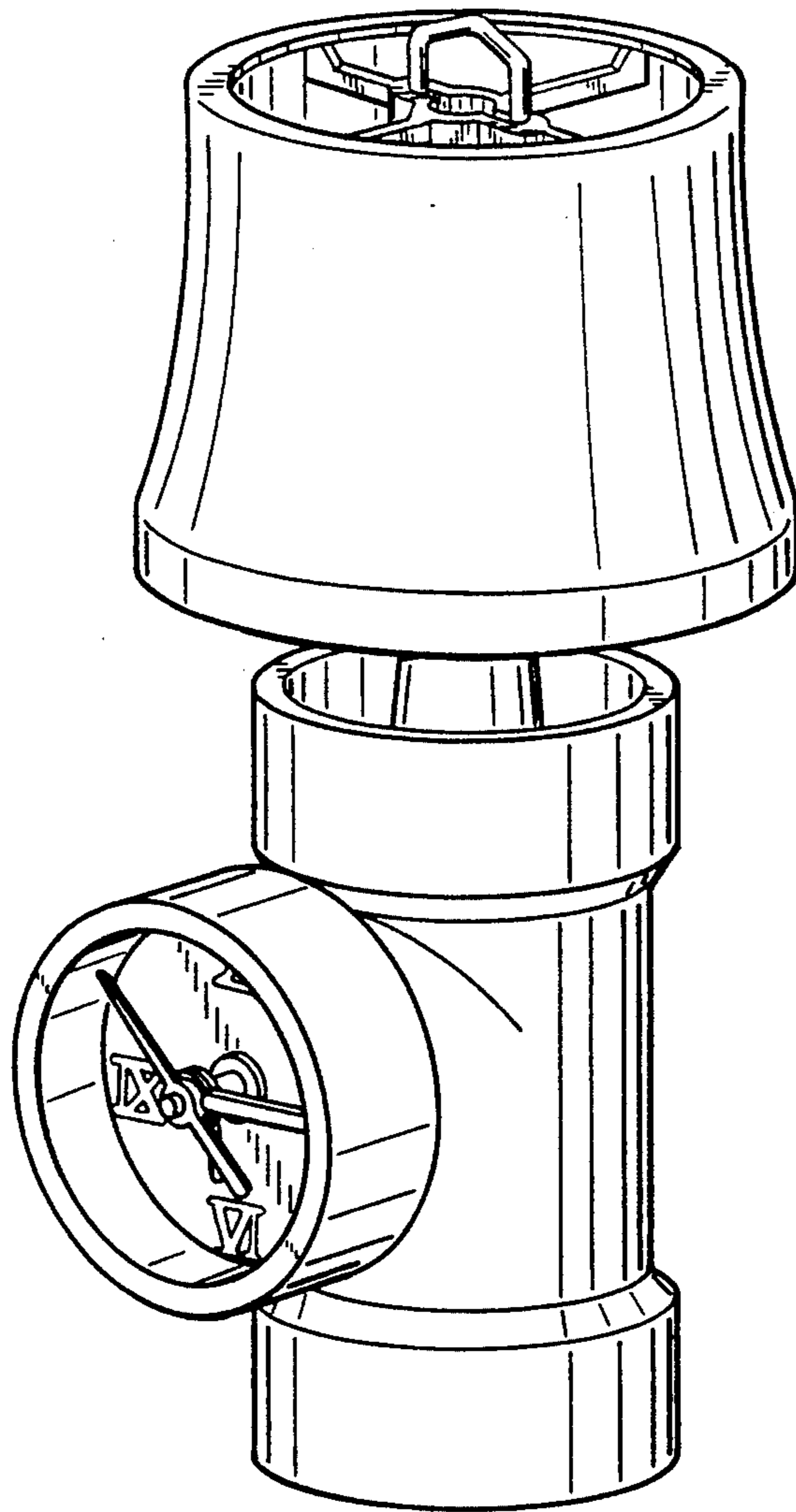
DESCRIPTION

FIG. 1 is a perspective view of a combined table lamp and clock showing our new design; FIG. 2 is a front elevational view thereof; FIG. 3 is a rear elevational view thereof; FIG. 4 is a left side elevational view thereof, the right side being a mirror image; FIG. 5 is a top plan view thereof; and, FIG. 6 is a bottom plan view thereof.

[56] References Cited

U.S. PATENT DOCUMENTS

- D. 147,533 9/1947 Cameron D26/54
- D. 153,269 4/1949 Engel D26/52
- D. 249,242 9/1978 Williams D26/54 X



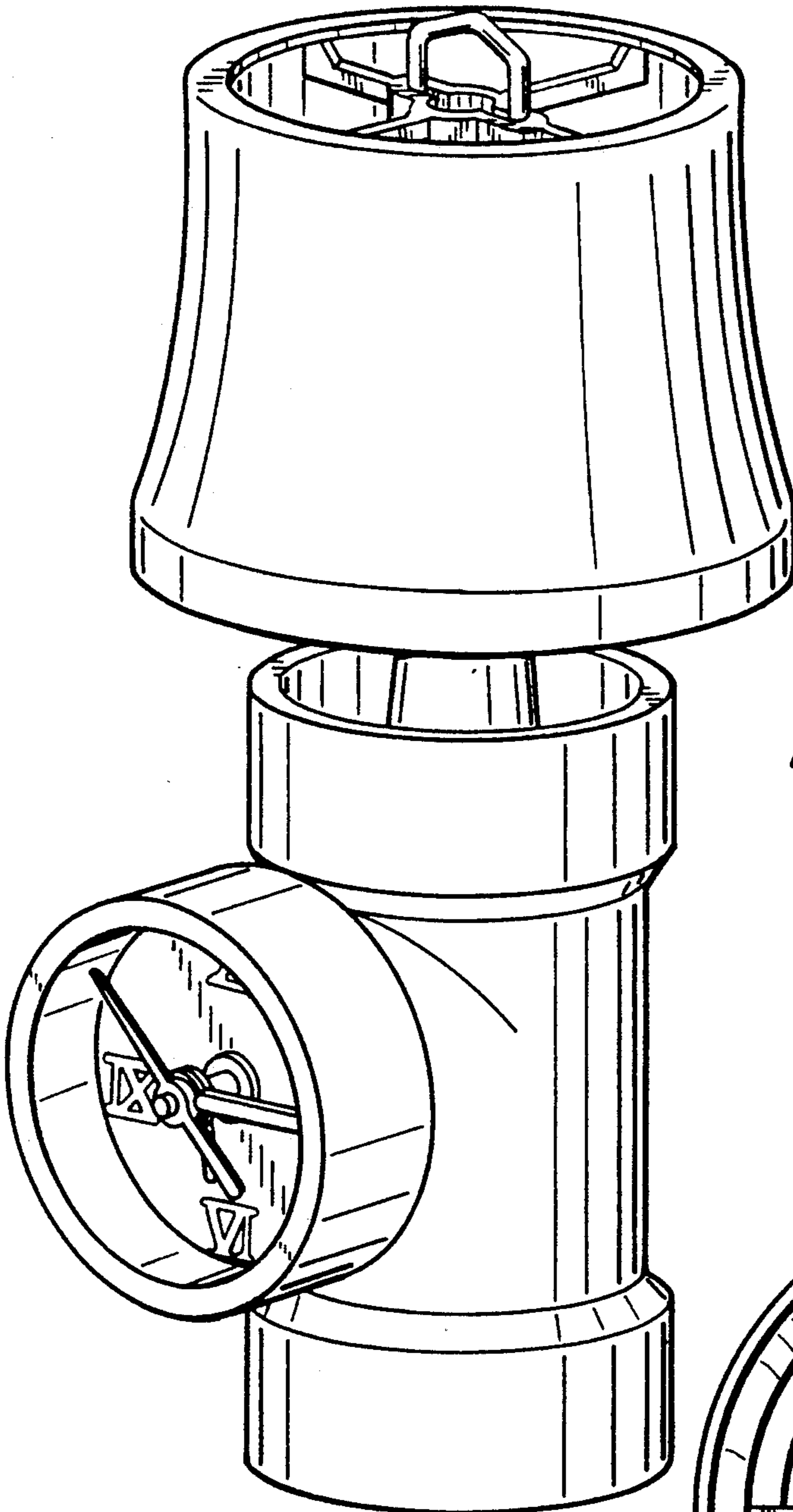


FIG. 1

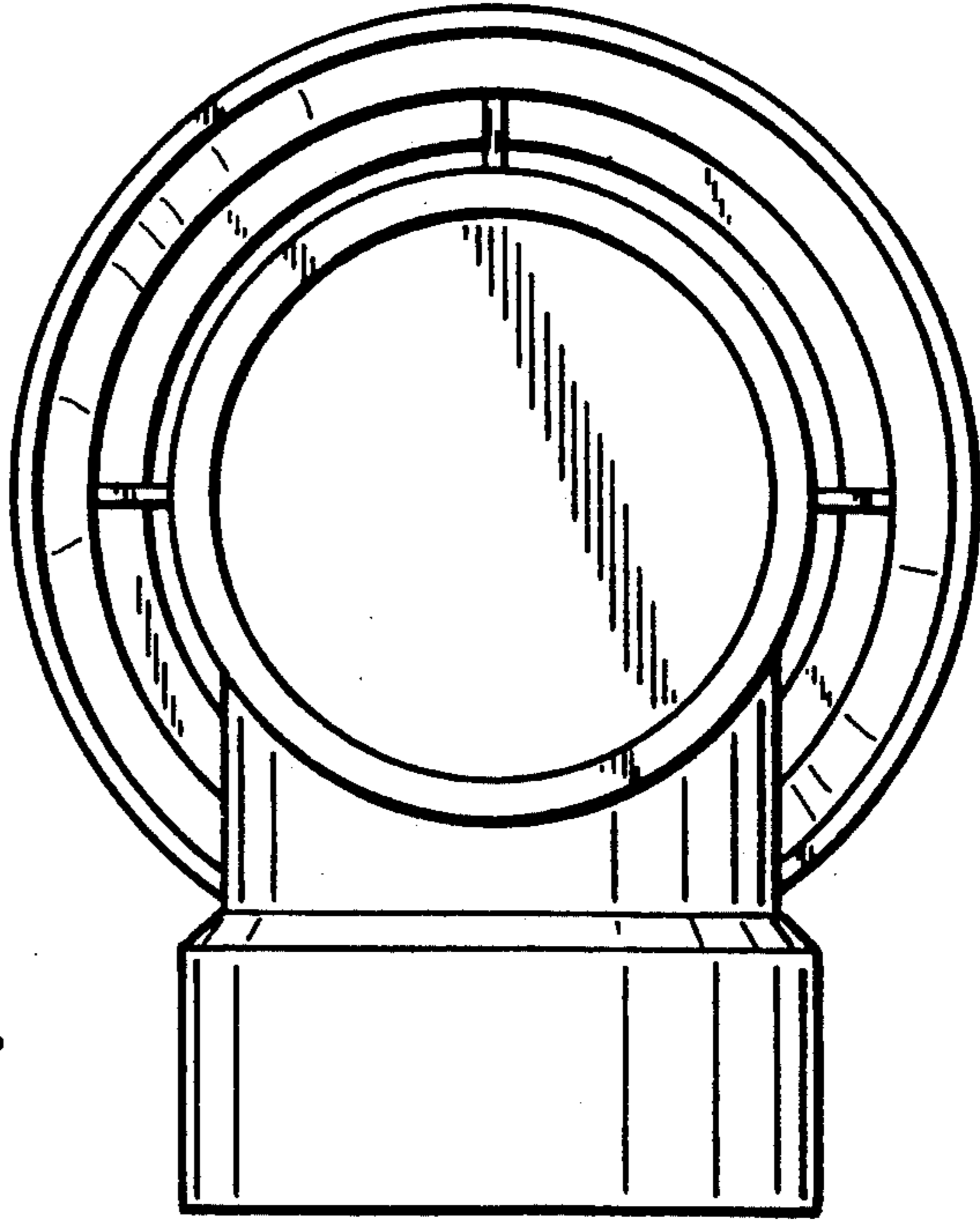


FIG. 6

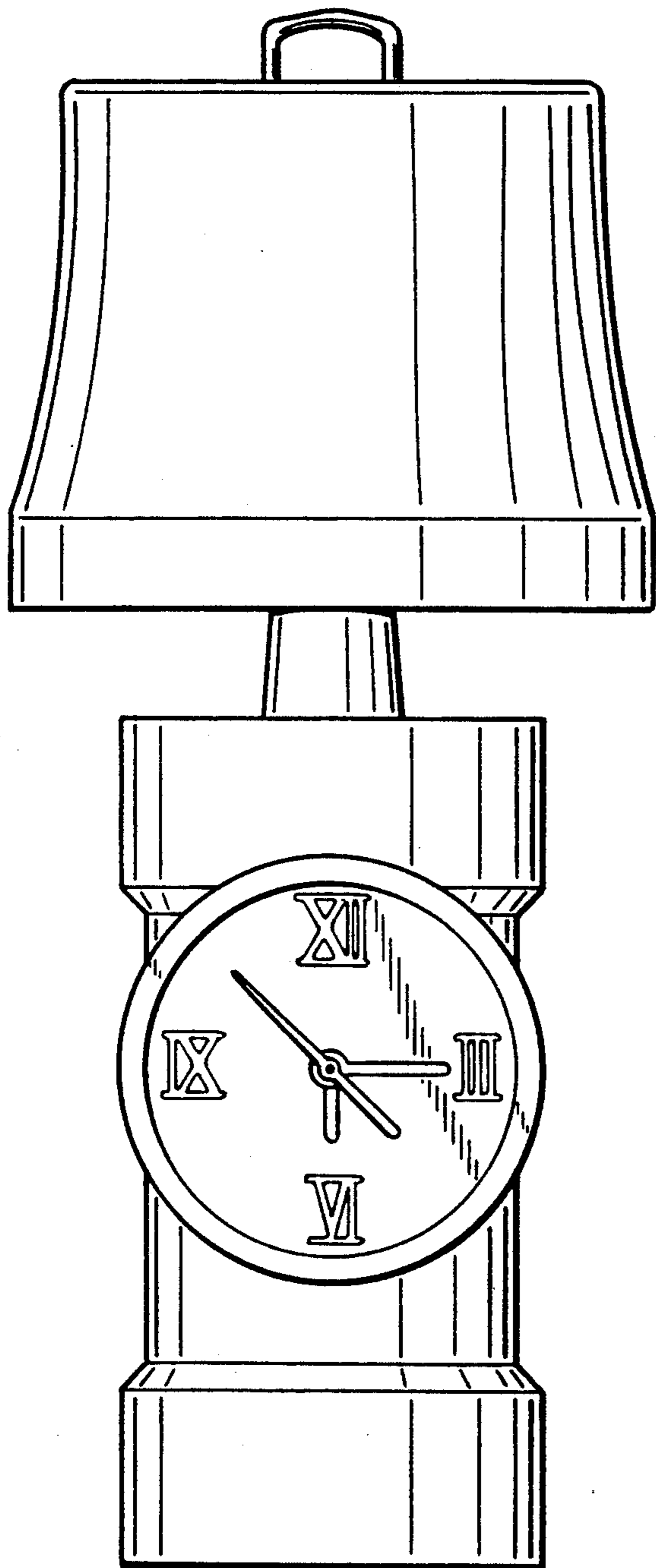


FIG. 2

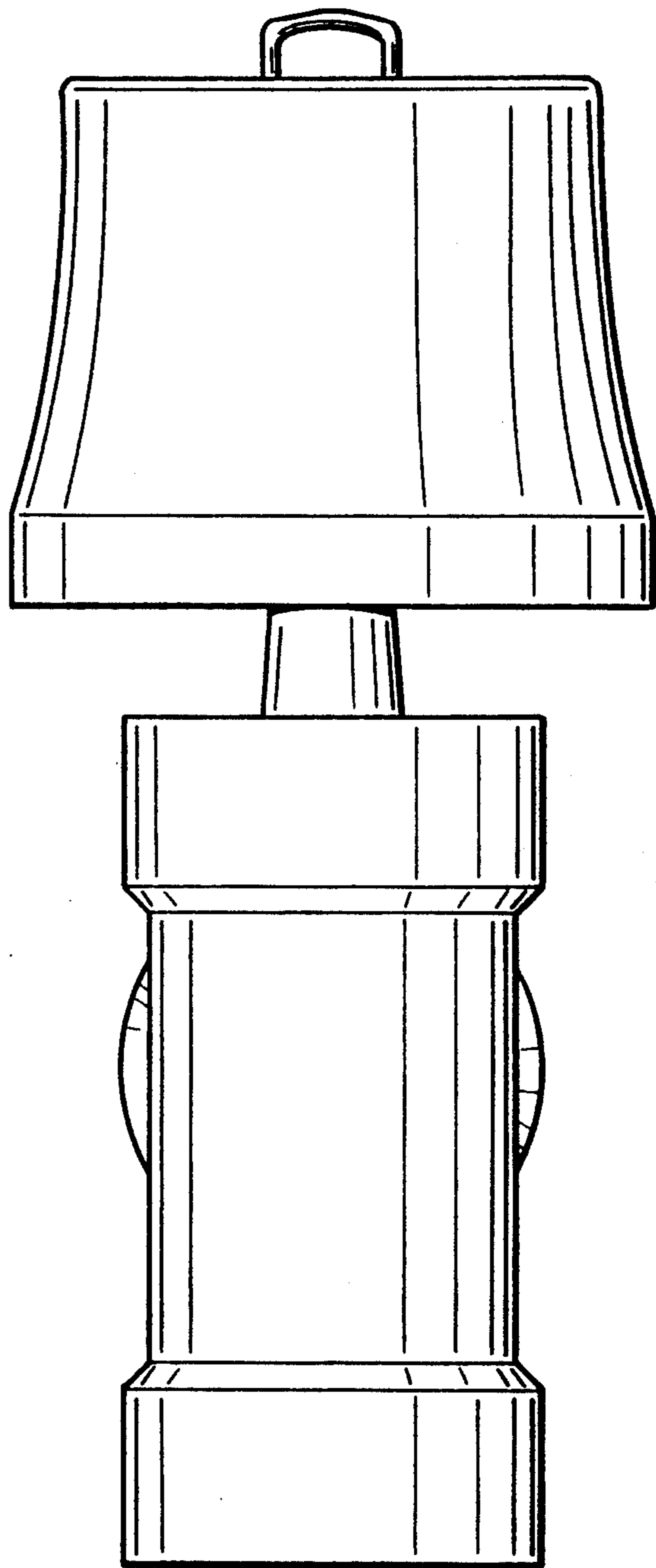


FIG. 3

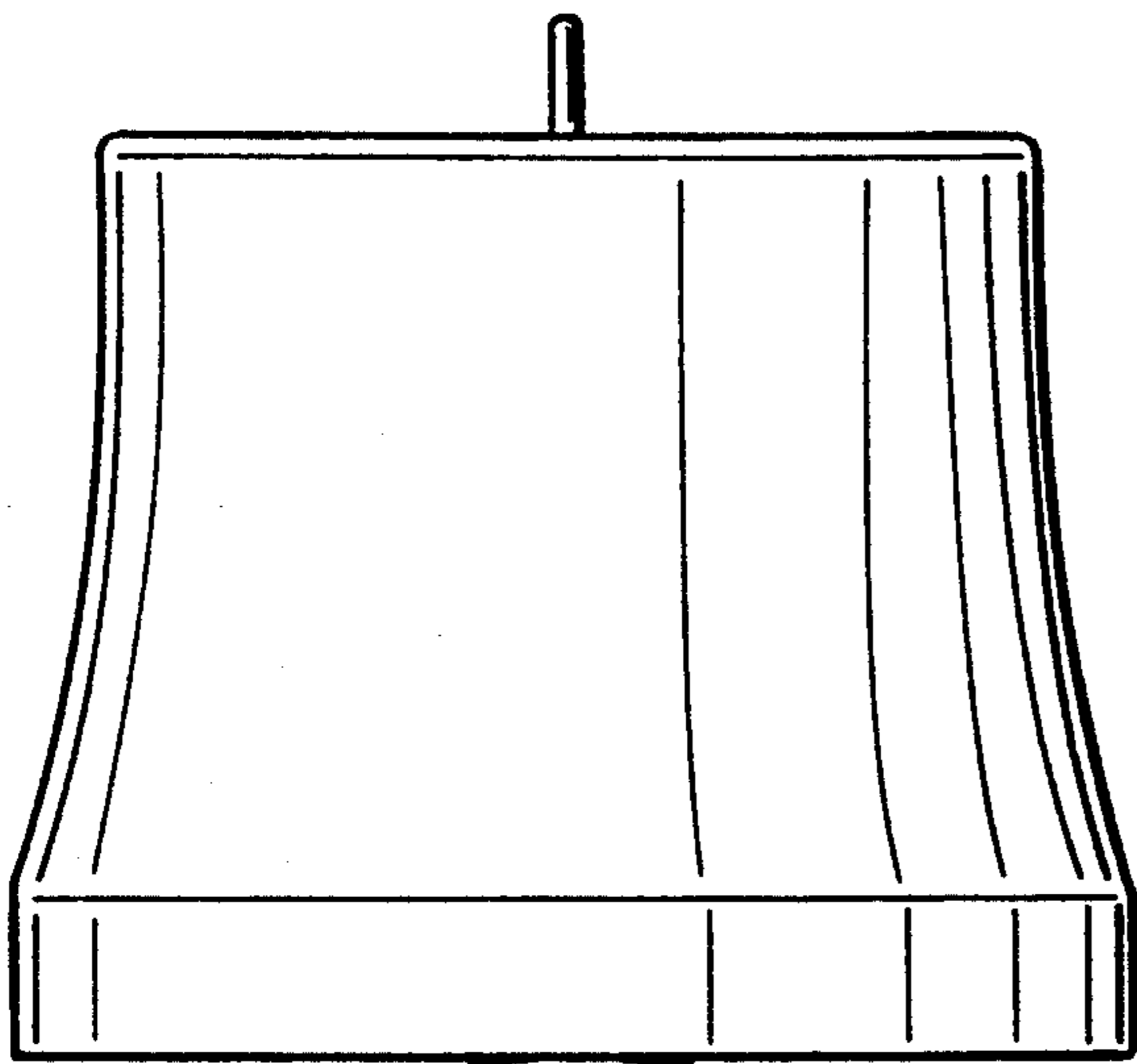


FIG. 4

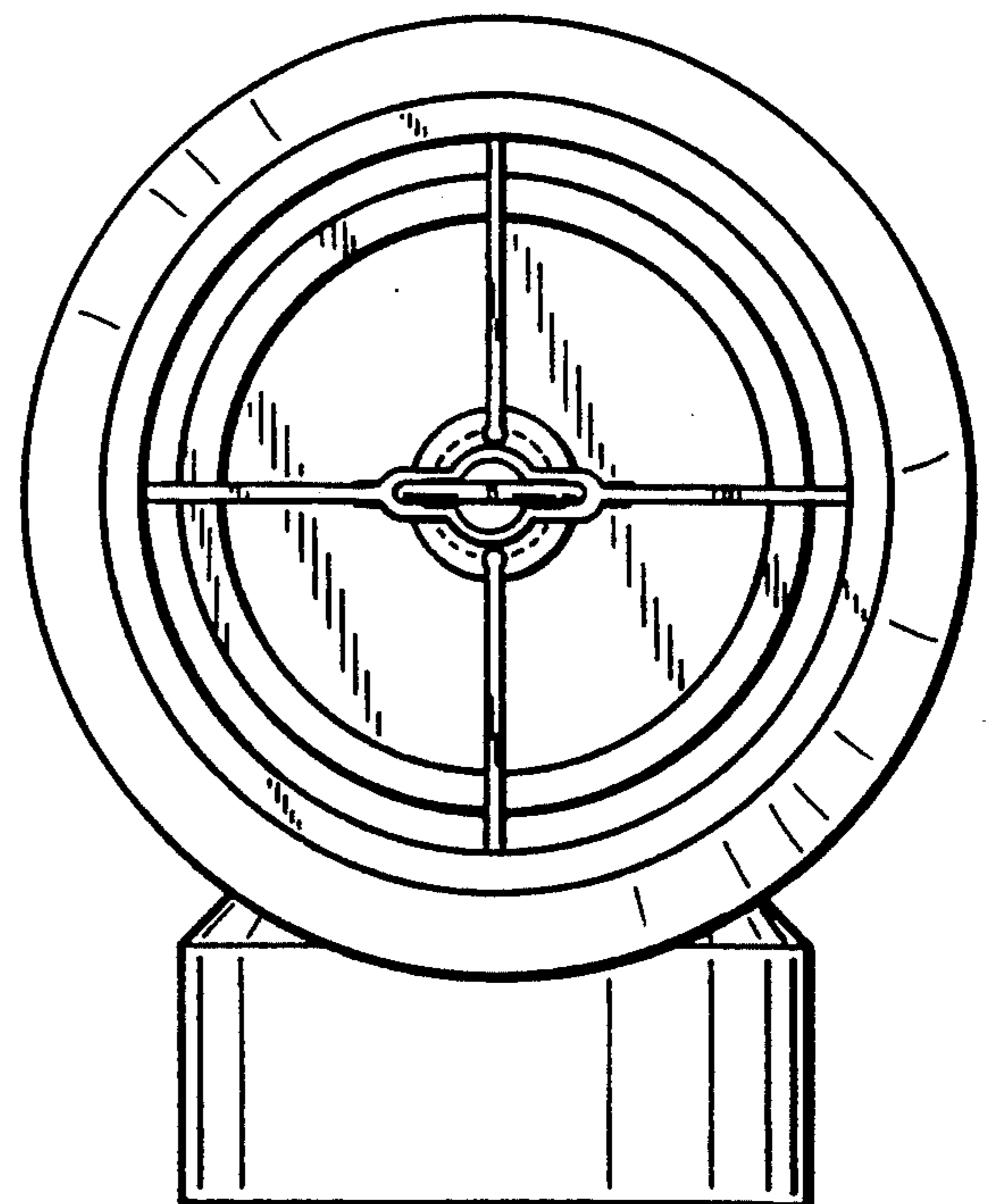
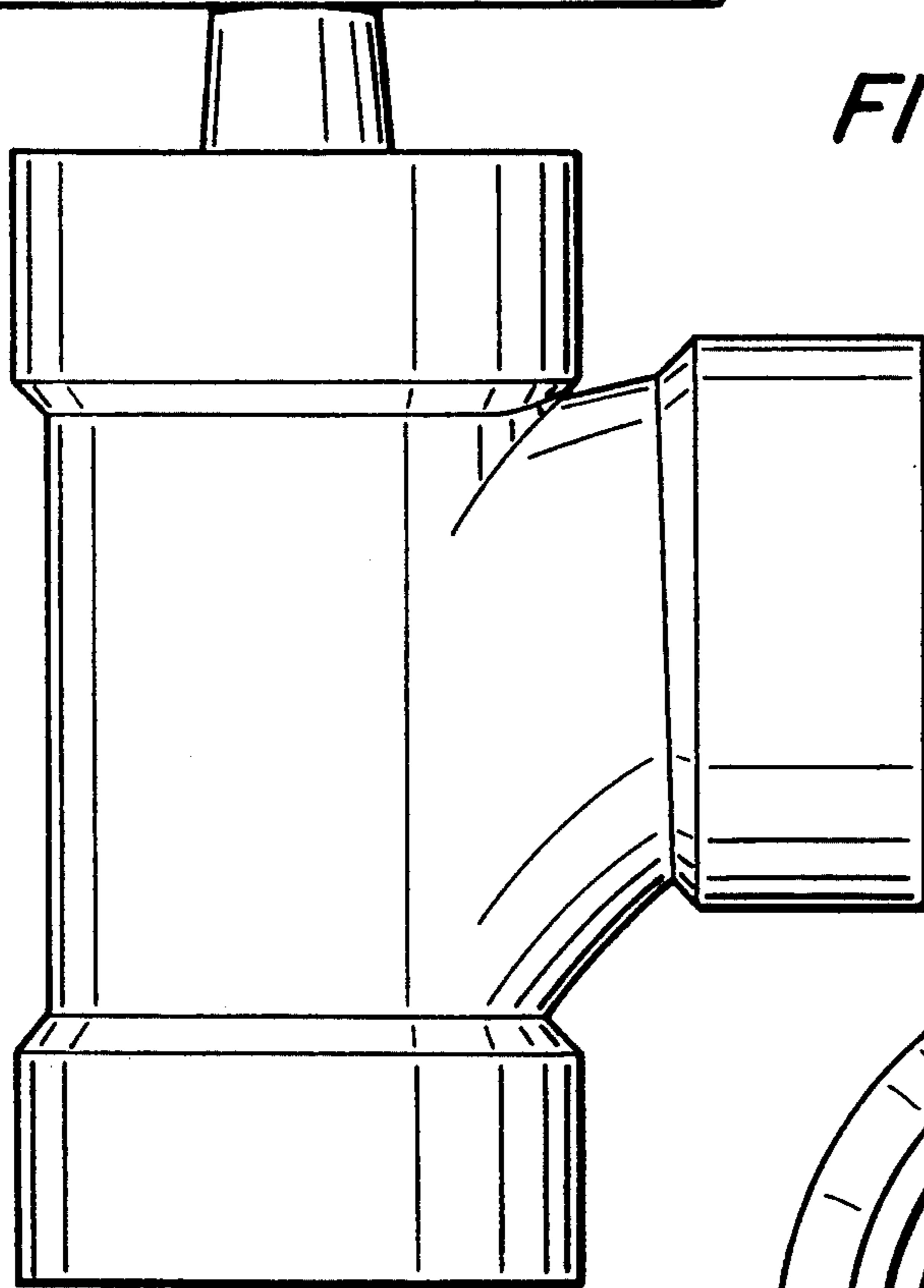


FIG. 5