



US00D329710S

# United States Patent [19]

[11] Patent Number: **Des. 329,710**

Muller et al.

[45] Date of Patent: **\*\* Sep. 22, 1992**

## [54] FLUORESCENT LIGHTING UNIT OR SIMILAR ARTICLE

[76] Inventors: **Peter Muller**, 135 Charles St., Los Gatos, Calif. 95030; **Peter E. Lowe**, 2655 Broderick St., San Francisco, Calif. 94123

[\*\*] Term: **14 Years**

[21] Appl. No.: **601,171**

[22] Filed: **Oct. 22, 1990**

[52] U.S. Cl. .... **D26/26; D26/3**

[58] Field of Search ..... **D26/2, 3, 26; 362/326, 362/334, 335, 337, 340, 297, 304, 309, 341; 313/315, 318, 113, 493**

## [56] References Cited

### U.S. PATENT DOCUMENTS

- D. 296,475 6/1988 Gallagher ..... D26/3 X
- D. 304,767 11/1989 Lim ..... D26/26
- D. 309,503 7/1990 Benson et al. .... D26/2
- D. 315,961 4/1991 Kackenmeister et al. .... D26/2
- 4,443,778 3/1984 Mewissen .

### FOREIGN PATENT DOCUMENTS

- 325933 4/1935 Italy ..... 313/113

## OTHER PUBLICATIONS

Ken-Lite: Quadrotech Lighting Co.—(Brochure).

Primary Examiner—Susan J. Lucas

## [57] CLAIM

The ornamental design for an fluorescent lighting unit or similar article, as shown and described.

## DESCRIPTION

FIG. 1 is a left side elevational view of a fluorescent lighting unit or similar article showing our new design; the right side, front, and rear views being identical thereto;

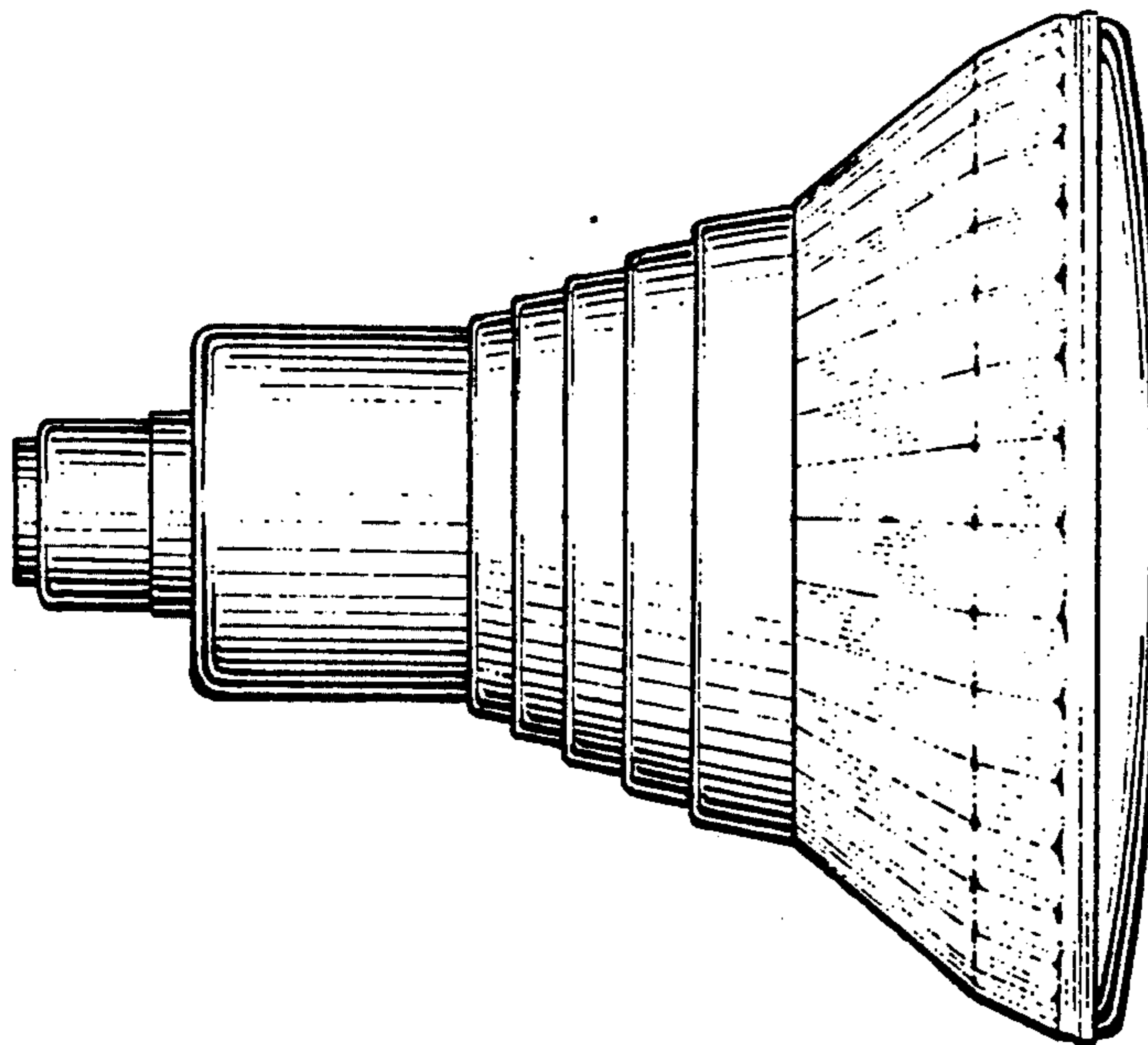
FIG. 2 is a top plan view thereof;

FIG. 3 is a bottom plan view thereof;

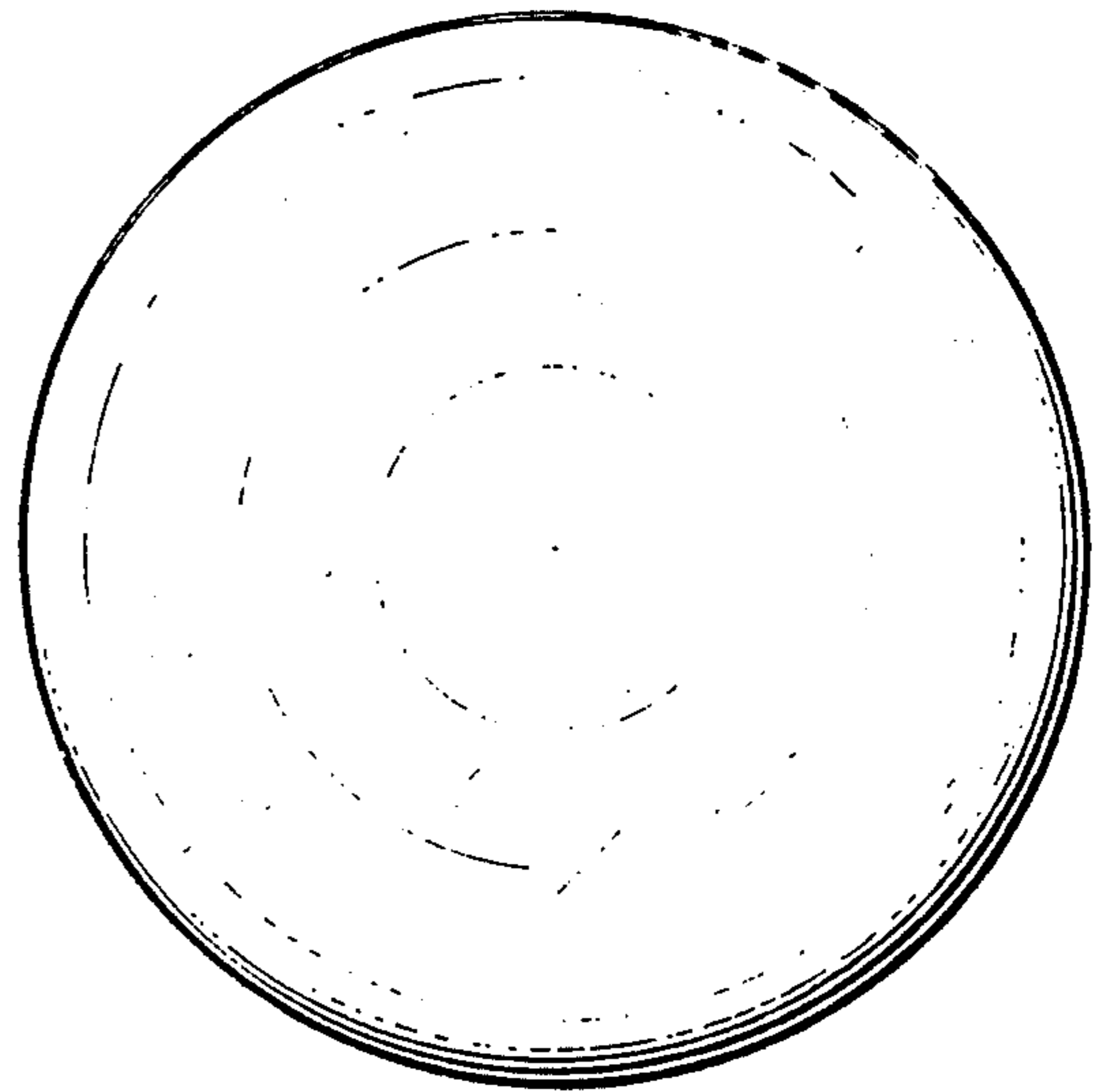
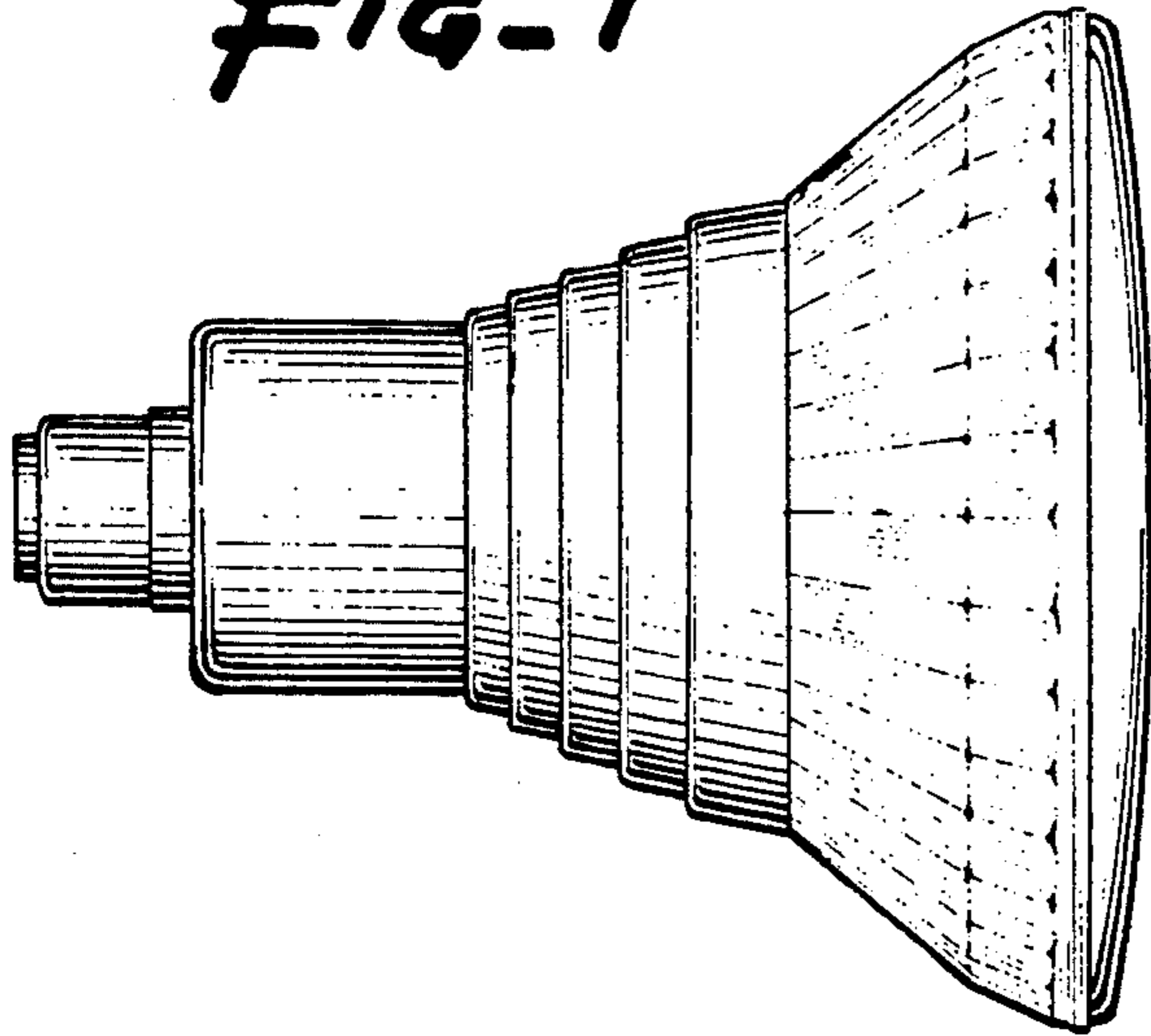
FIG. 4 is a left side elevational view of a second embodiment of our new design; the right side, front, and rear views being identical thereto, and the top and bottom plan views being identical to FIGS. 2 and 3, respectively;

FIG. 5 is a left side elevational view of a third embodiment of our new design; the right side, front, and rear views being identical thereto, and the top and bottom plan views being identical to FIGS. 2 and 3, respectively; and,

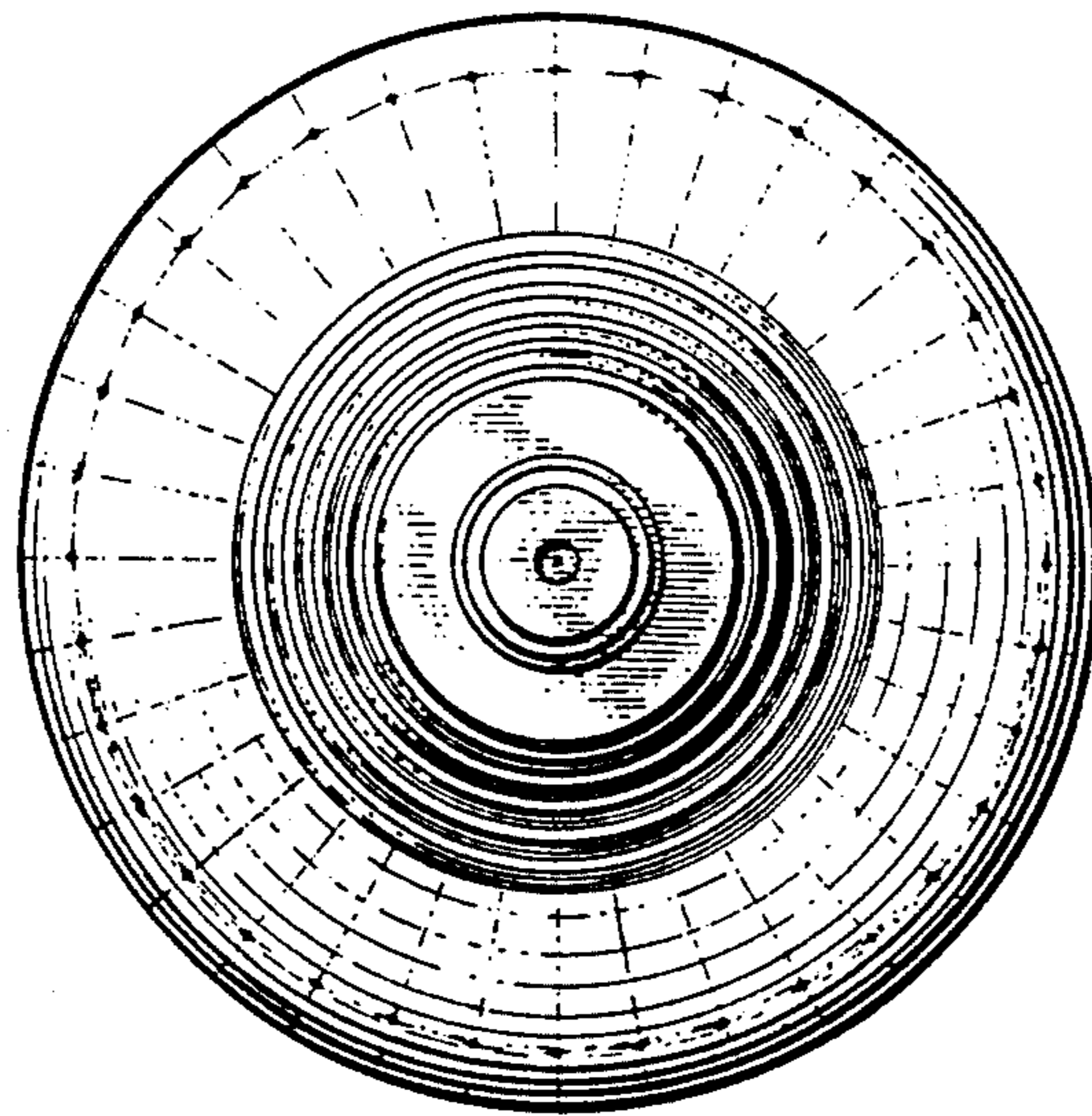
FIG. 6 is a left side elevational view of a fourth embodiment of our new design; the right side, front, and rear views being identical thereto, and the top and bottom plan views being identical to FIGS. 2 and 3, respectively.



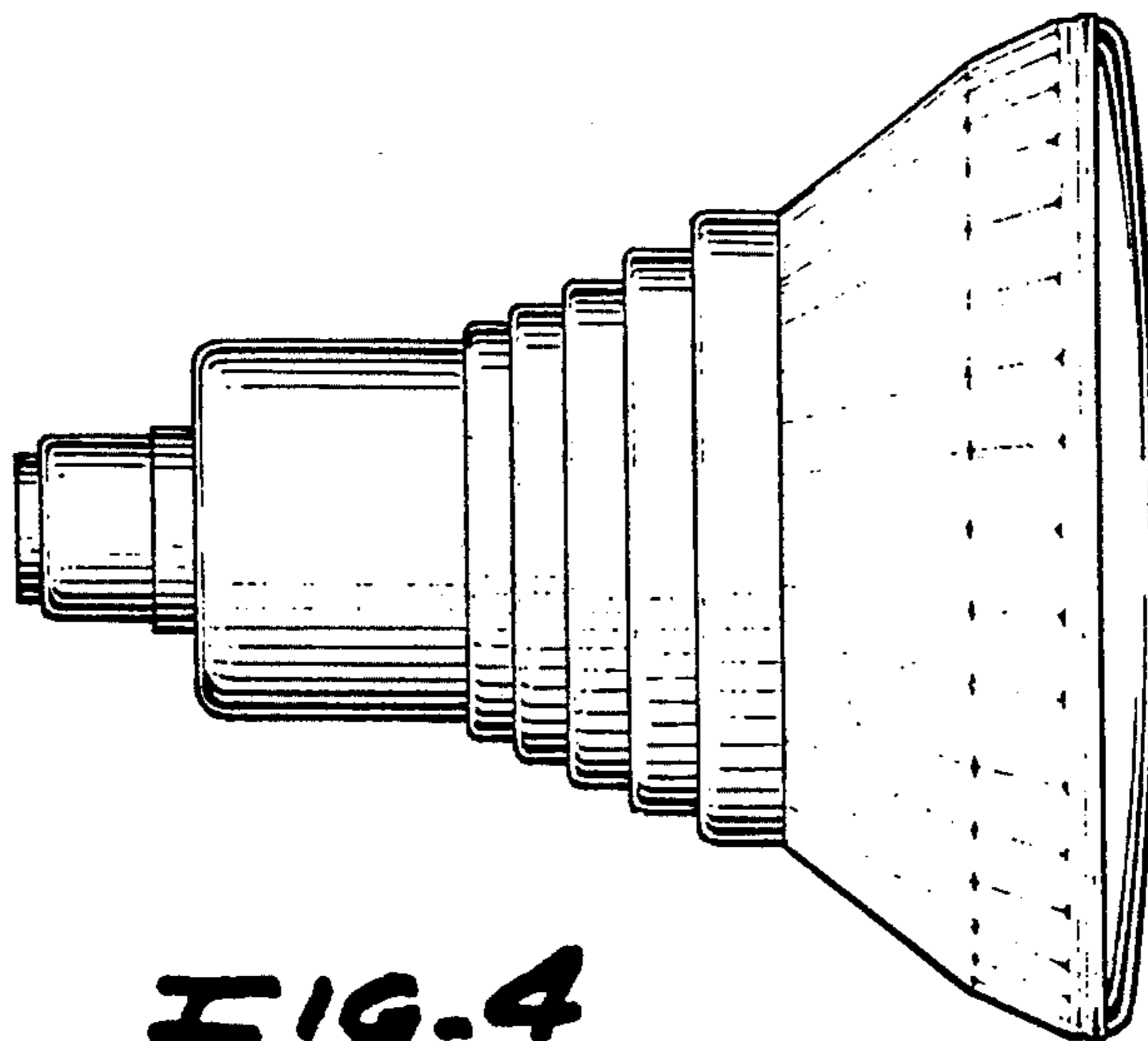
**FIG-1**



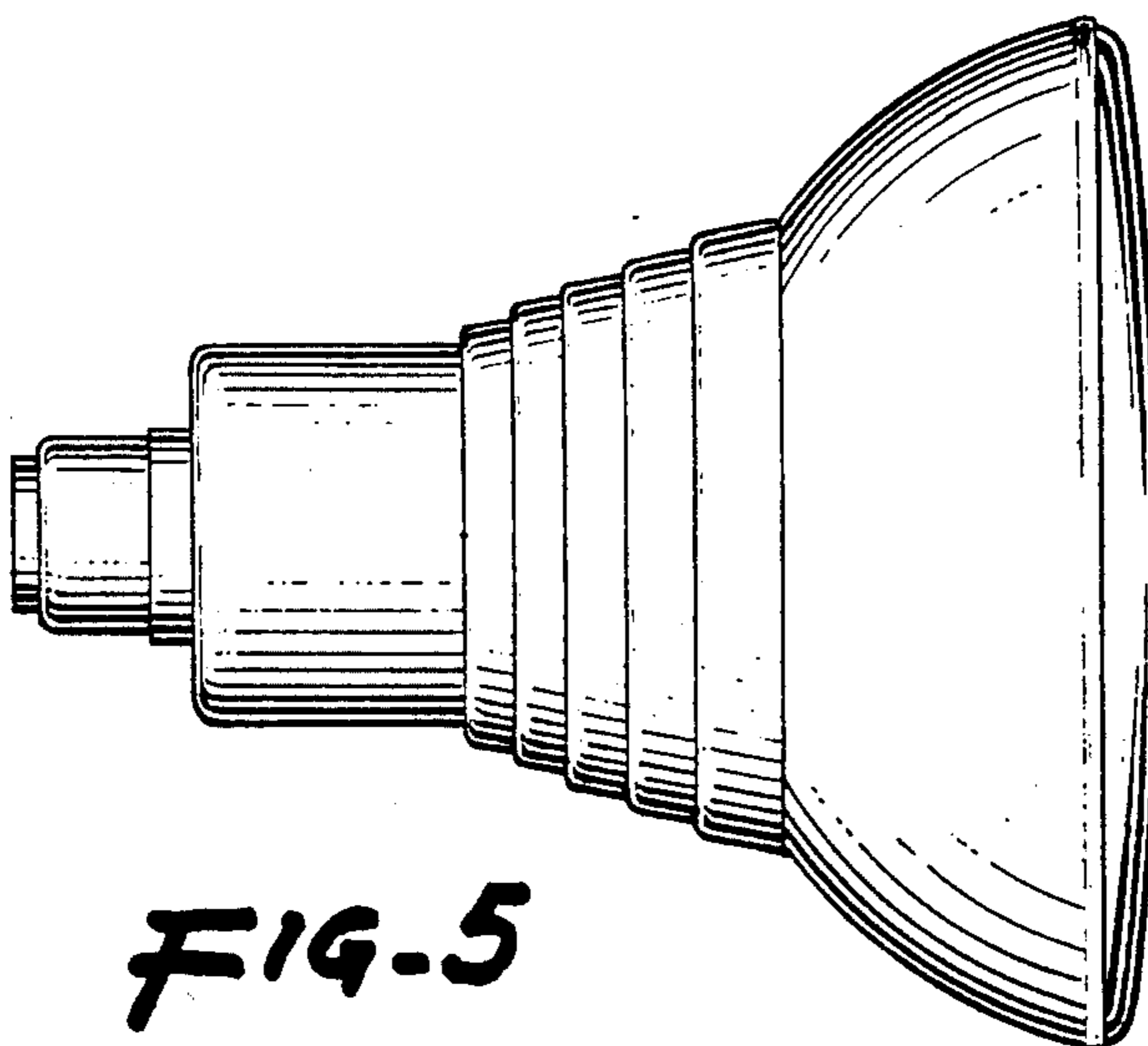
**FIG-2**



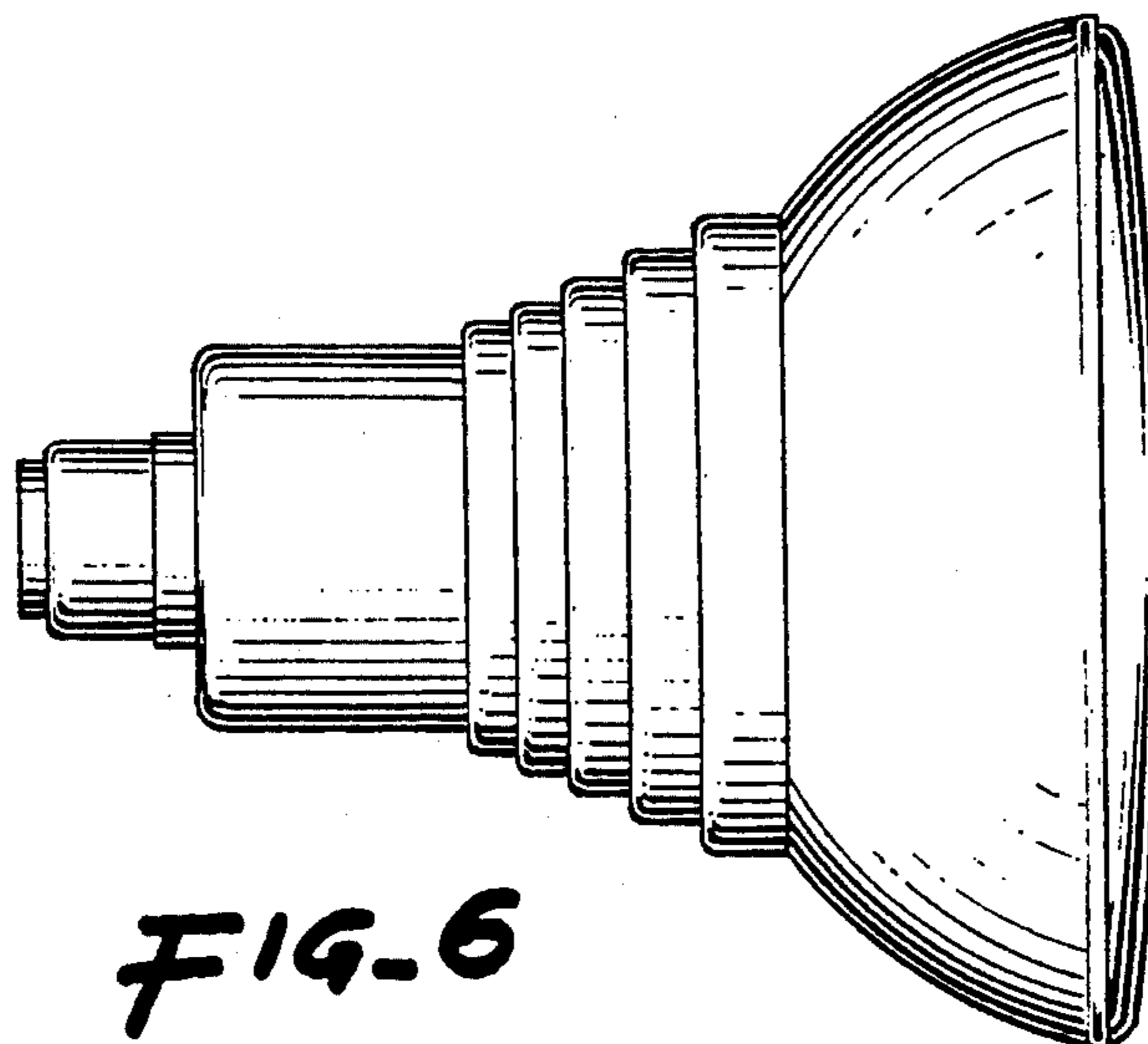
**FIG-3**



**FIG. 4**



**FIG. 5**



**FIG. 6**