



US00D329708S

United States Patent [19]

[11] Patent Number: **Des. 329,708**

Valentin

[45] Date of Patent: **** Sep. 22, 1992**

[54] EXTRUSION FOR USE IN THE CONSTRUCTION OF A WINDOW

[56] References Cited

[75] Inventor: **Volker S. Valentin, Indiana, Pa.**

U.S. PATENT DOCUMENTS

- D. 263,754 4/1982 Dallaire D25/122
- D. 263,755 4/1982 Dallaire D25/122
- D. 307,801 5/1990 Westphal et al. D25/124
- 5,014,466 5/1991 Winner 49/504

[73] Assignee: **L. B. Plastics Limited, Belper, England**

Primary Examiner—A. Hugo Word
Assistant Examiner—Doris Clark
Attorney, Agent, or Firm—W. Thad Adams, III

[**] Term: **14 Years**

[57] CLAIM

The ornamental design of an extrusion for use in the construction of a window, as shown and described

[21] Appl. No.: **539,033**

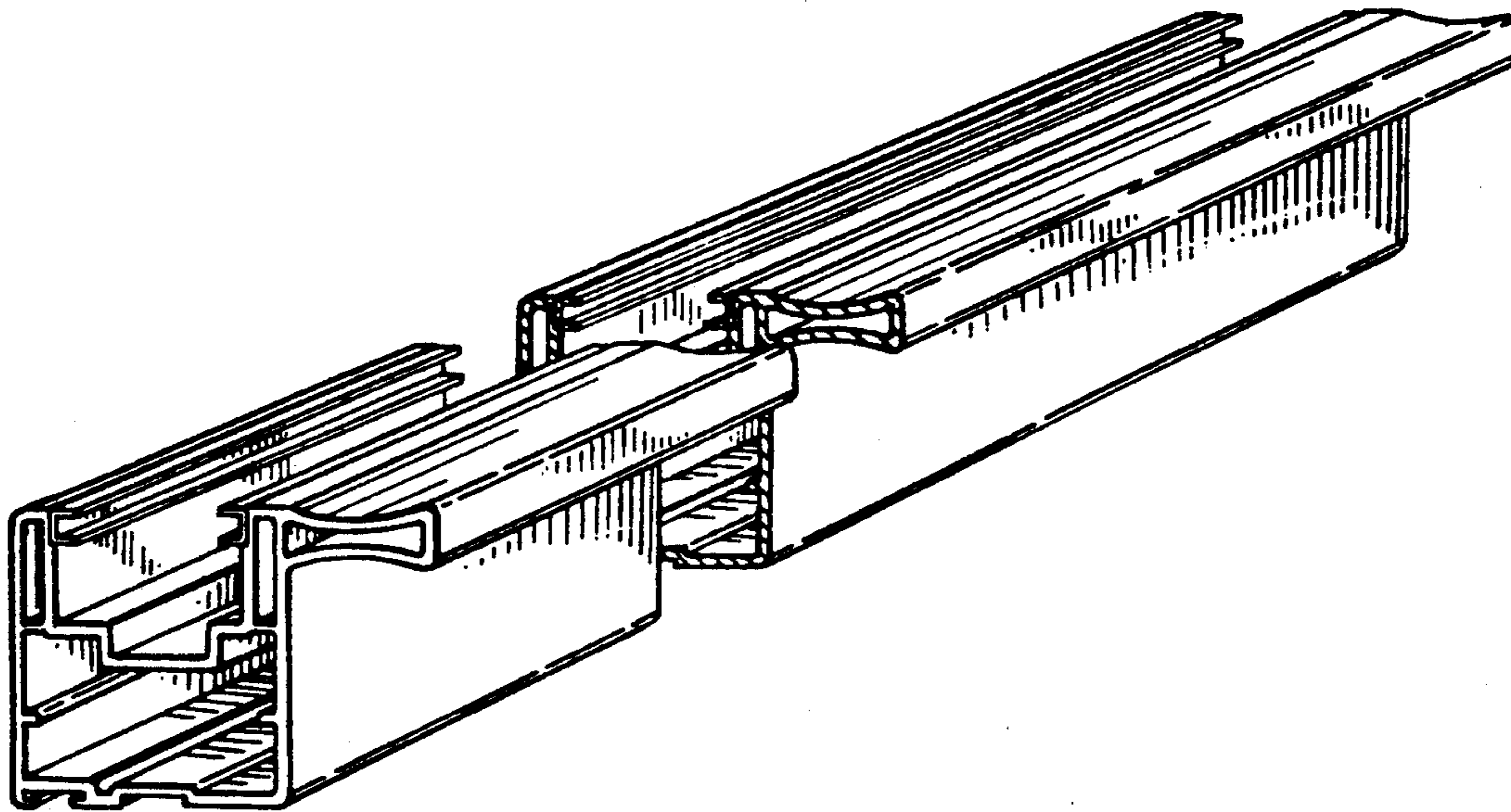
DESCRIPTION

[22] Filed: **Jun. 15, 1990**

[52] U.S. Cl. **D25/125**

[58] Field of Search D25/52, 119-125;
49/501-502, 504, DIG. 1, DIG 2; 52/171

FIG. 1 is a perspective view of an extrusion for use in the construction of a window showing my new design, the center being broken away to indicated indeterminate length; and,
FIG. 2 is an end elevational view thereof.



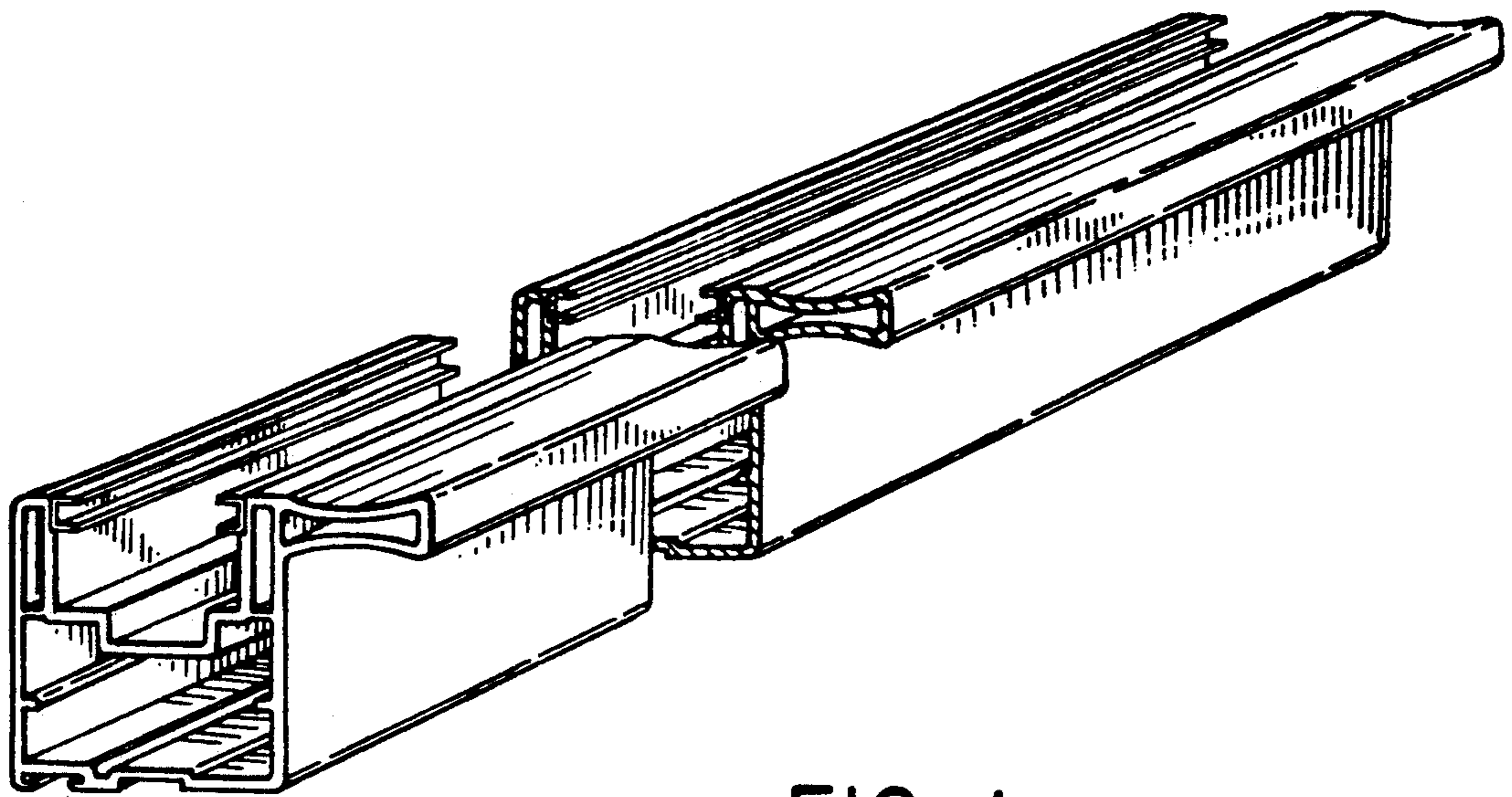


FIG. 1

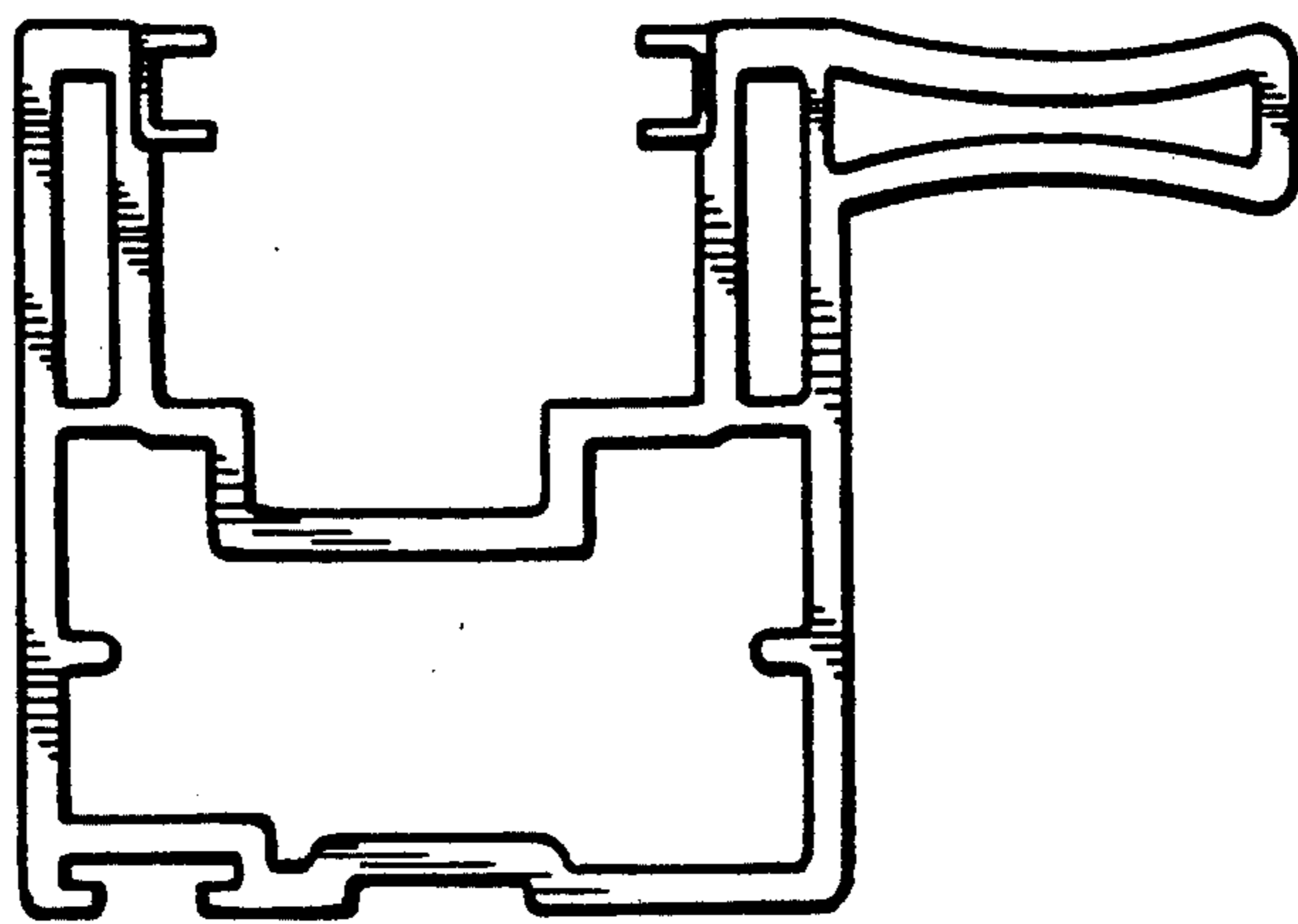


FIG. 2