



US00D329707S

# United States Patent [19]

Embree et al.

[11] Patent Number: **Des. 329,707**

[45] Date of Patent: **\*\* Sep. 22, 1992**

## [54] SLOTTED WALL STRIP

[75] Inventors: **Donald Embree, Copley; David L. Hamann, Cincinnati, both of Ohio**

[73] Assignee: **Rubbermaid Incorporated, Wooster, Ohio**

[\*\*] Term: **14 Years**

[21] Appl. No.: **224,782**

[22] Filed: **Jul. 27, 1988**

[52] U.S. Cl. .... **D25/119**

[58] Field of Search ..... **D25/136, 119; 52/82, 52/288, 238.1, 255, 211, 728, 242, 290, 287, 716**

## [56] References Cited

### U.S. PATENT DOCUMENTS

D. 294,867	3/1988	Meshulam	.....	D25/119
3,475,870	11/1969	Birum, Jr.	.....	52/211
3,757,485	9/1973	Vincens	.....	52/238.1
3,830,374	8/1974	Kassimir	.....	248/220.3
3,998,027	12/1976	Wendt et al.	.....	52/211
4,418,508	12/1983	Gilliland et al.	.....	52/282

## OTHER PUBLICATIONS

Eldon office Products, 1130 East 230th Street, Carson, Calif. 90745. Publication date 1984. p. 26.

Hirsh Company, 8051 Central Park Avenue, Skokie, Ill. 60076. Publication date 1987.

Catalog p. 4/6 Hirsh Co. 8051 Central Park Avenue, Skokie, Ill. 60074. Publication date 1986.

*Primary Examiner*—A. Hugo Word

*Assistant Examiner*—Doris Clark

*Attorney, Agent, or Firm*—Richard B. O'Planick

## [57] CLAIM

The ornamental design for a slotted wall strip, as shown and described.

## DESCRIPTION

FIG. 1 is a perspective view of a slotted wall strip showing our new design;

FIG. 2 is a cross-sectional view thereof taken along line 2—2 of FIG. 4;

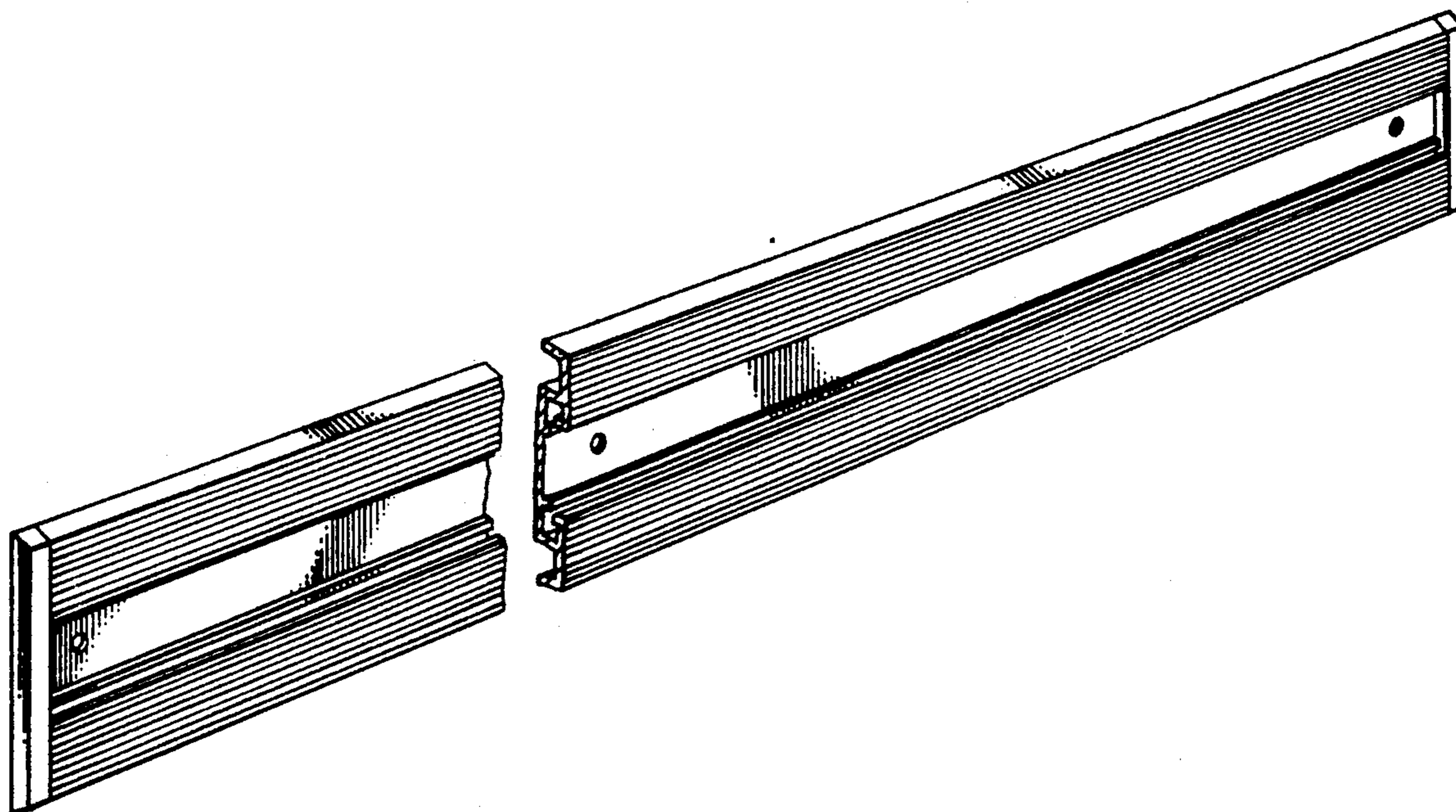
FIG. 3 is an end elevational view thereof. The end view opposite to that depicted in FIG. 3 is identical in appearance;

FIG. 4 is a front elevational view thereof;

FIG. 5 is a top plan view thereof;

FIG. 6 is a rear elevational view thereof; and,

FIG. 7 is a bottom plan view thereof.



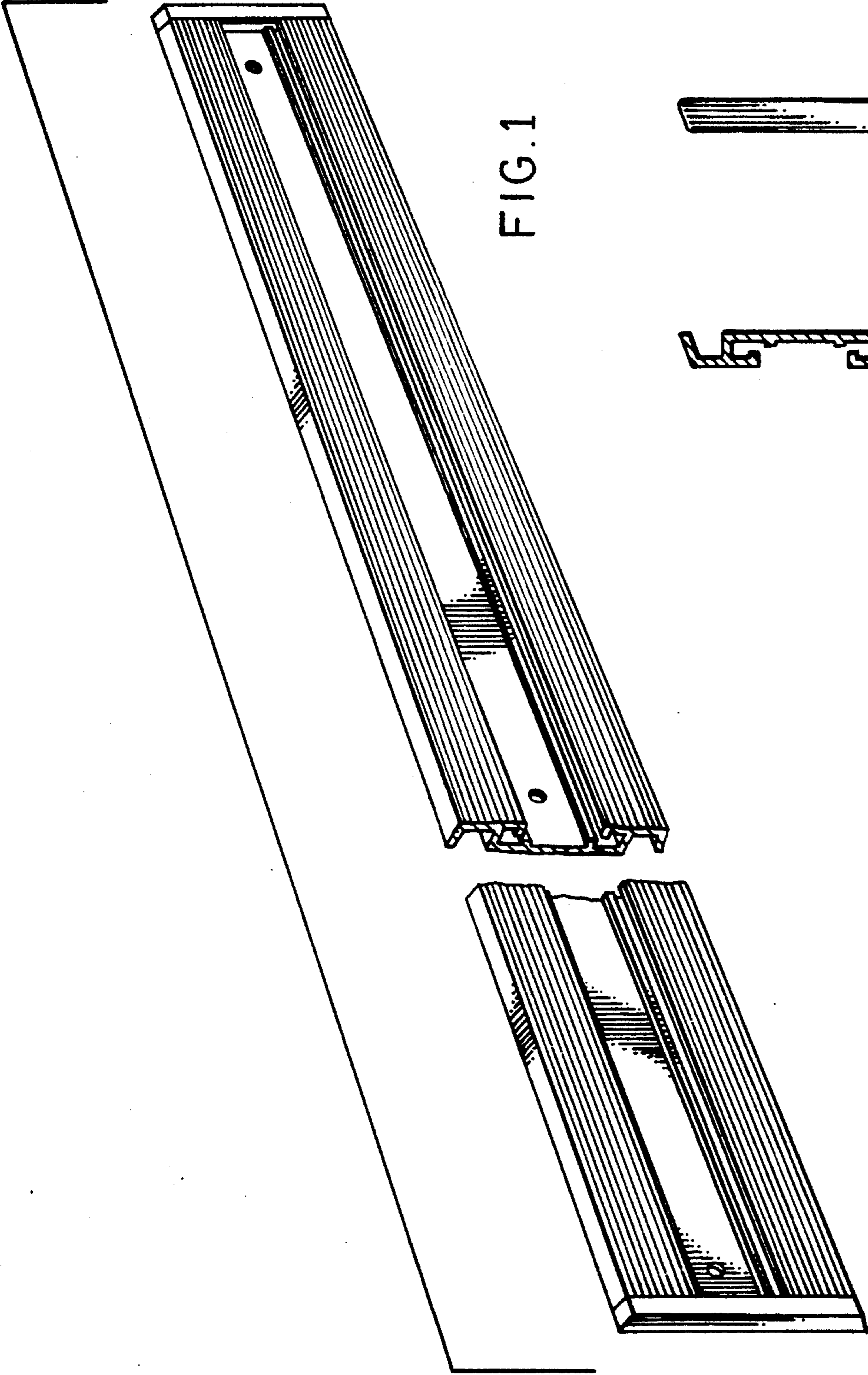


FIG. 1

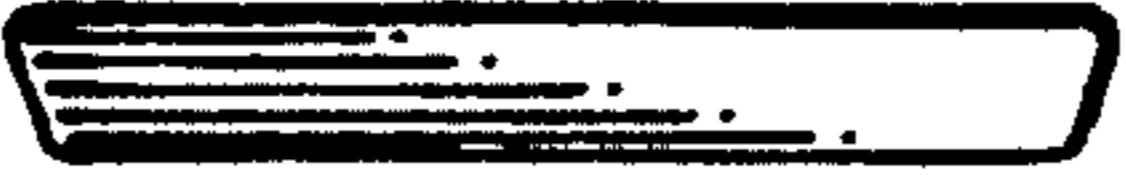


FIG. 2



FIG. 3

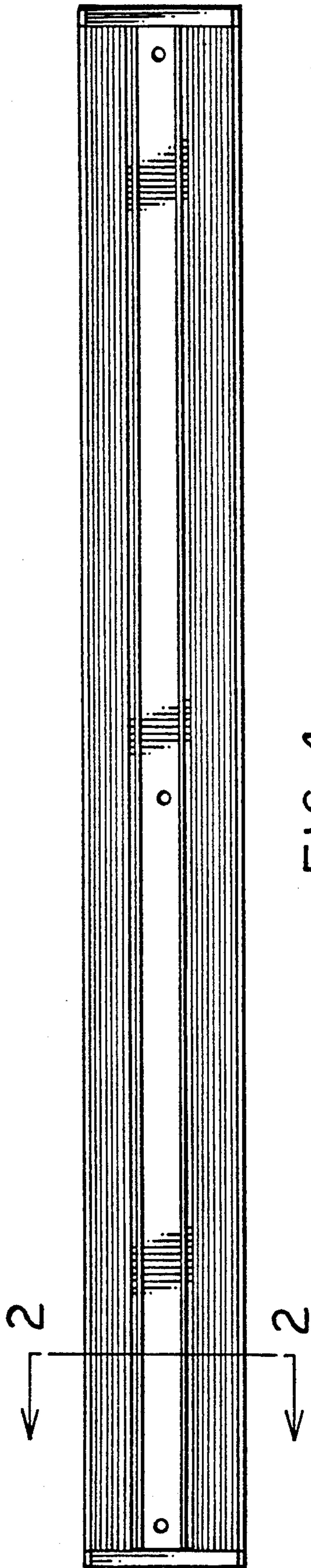


FIG. 4



FIG. 5

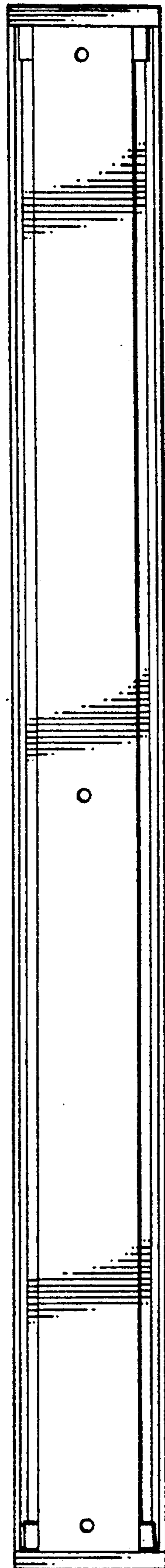


FIG. 6



FIG. 7