



US00D329706S

United States Patent [19]

Hermens et al.

[11] Patent Number: **Des. 329,706**

[45] Date of Patent: **** Sep. 22, 1992**

[54] LINK FOR A ROLL-DOWN SHUTTER

[76] Inventors: **Herman R. Hermens**, Sterrenbosweg 85, 5953 GN Reuver; **Leonardus M. L. J. Schoeren**, Dijckersingel 16, 5953 CK Reuver, both of Netherlands

[**] Term: **14 Years**

[21] Appl. No.: **351,555**

[22] Filed: **May 12, 1989**

[52] U.S. Cl. **D25/53; D8/499**

[58] Field of Search **D8/499; 198/350-353; 160/218, 236, 229.1, 235, 133; D25/49, 102, 53**

[56] **References Cited**

U.S. PATENT DOCUMENTS

1,843,340	2/1932	Satake	160/229.1
2,440,474	4/1948	Jackler et al.	160/299.1
2,596,714	5/1952	Nonell	160/133

4,282,920	8/1981	Kremm	160/133
4,294,302	10/1981	Ricke, Sr.	160/133

FOREIGN PATENT DOCUMENTS

2130162	5/1984	United Kingdom	198/853
---------	--------	----------------	---------

Primary Examiner—**B. J. Bullock**

Attorney, Agent, or Firm—**Abelman Frayne & Schwab**

[57] CLAIM

The ornamental design for a link for a roll-down shutter, as shown.

DESCRIPTION

FIG. 1 is a front perspective view of a link for a roll-down shutter showing my new design; FIG. 2 is a rear perspective view thereof; FIG. 3 is a right side elevational view thereof; FIG. 4 is a left side elevational view thereof; FIG. 5 is a top plan view thereof; and, FIG. 6 is a bottom plan view thereof.

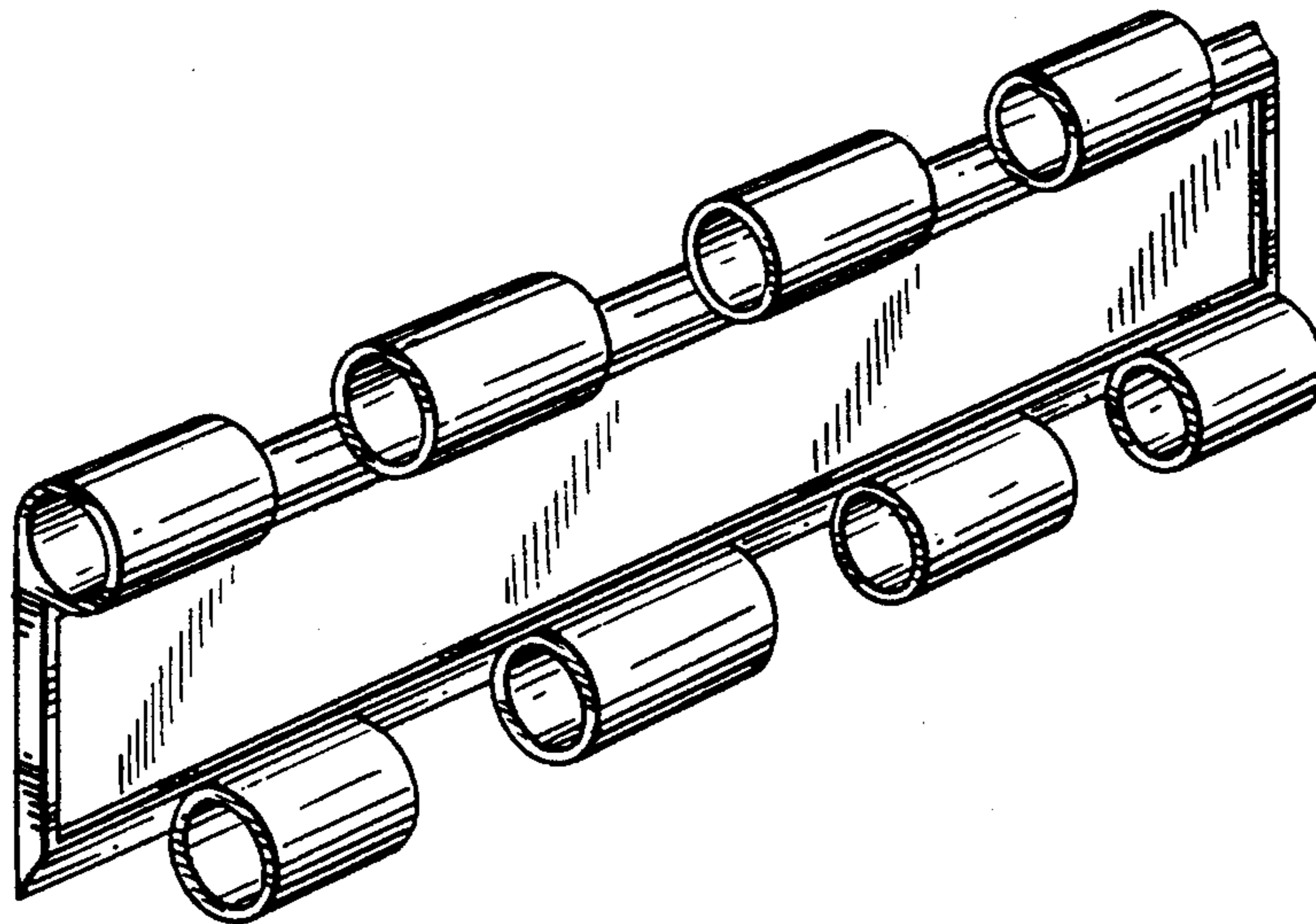
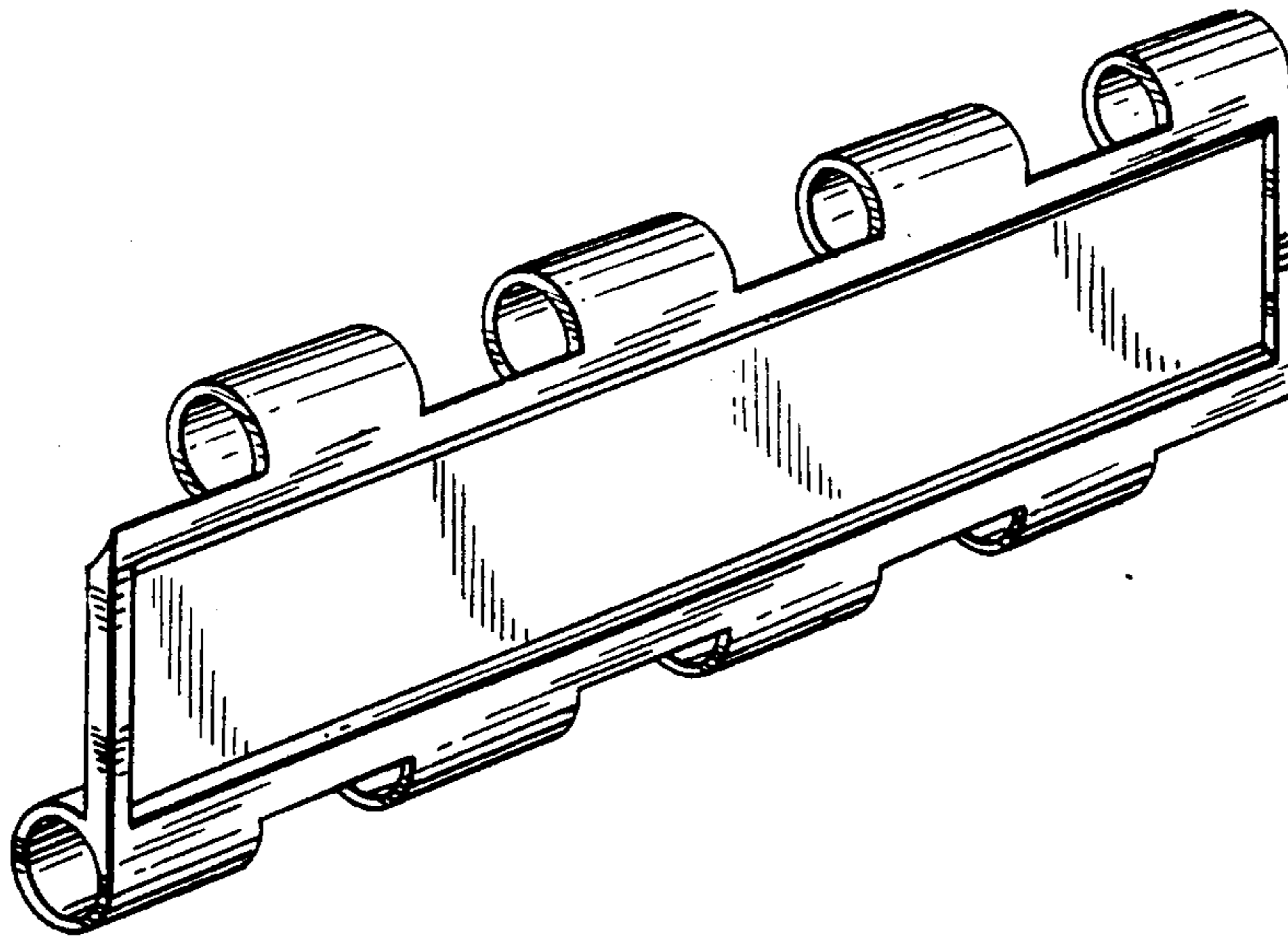


FIG. 1

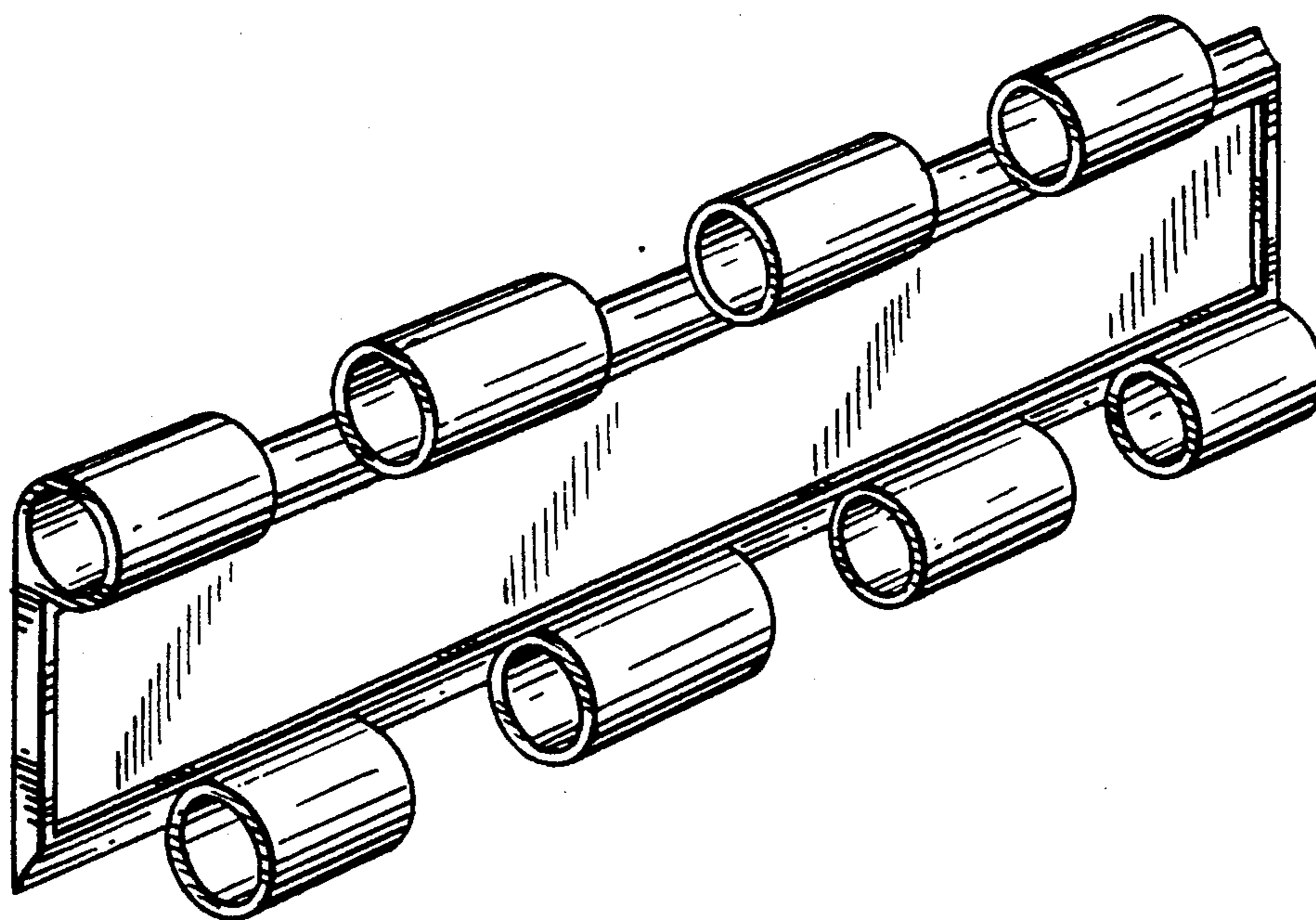
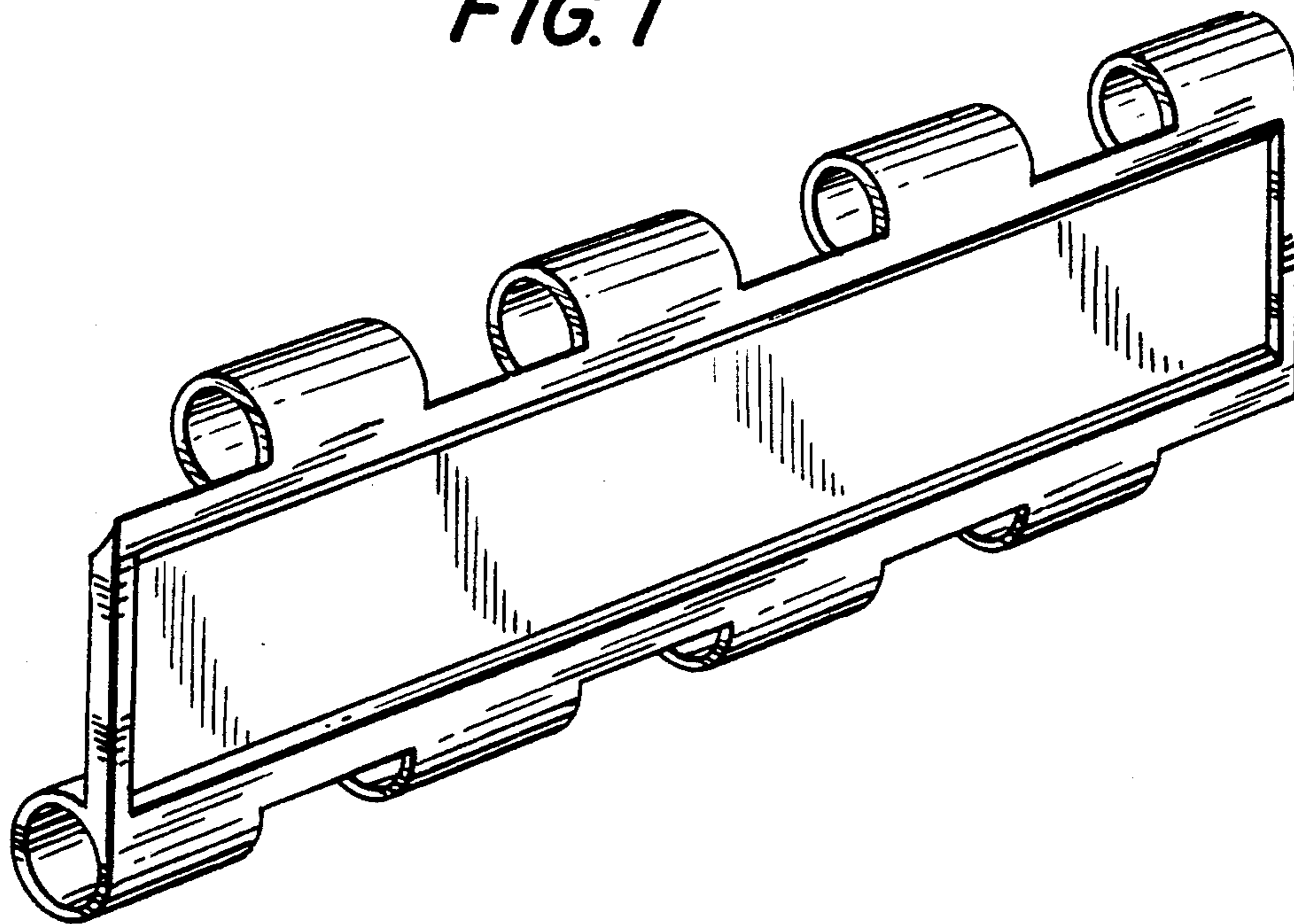


FIG. 2



FIG. 3



FIG. 4

FIG. 5

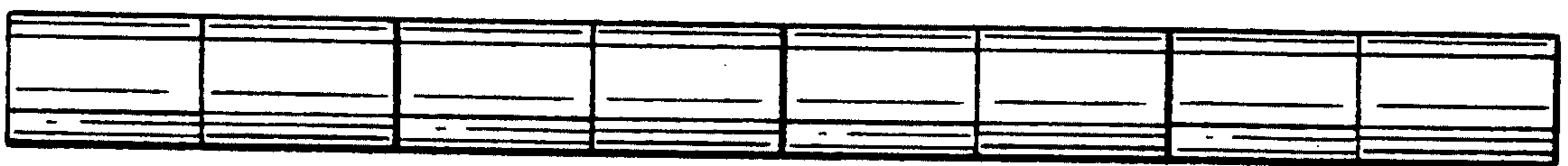


FIG. 6

