



US00D329704S

**United States Patent** [19]  
**Blankenburg**

[11] **Patent Number: Des. 329,704**  
[45] **Date of Patent: \*\* Sep. 22, 1992**

[54] **FOOT STOOL MASSAGER**  
[76] **Inventor: Richard Blankenburg, 131 Parrish Dr., Kensington, Conn. 06037-2102**  
[\*\*] **Term: 14 Years**  
[21] **Appl. No.: 488,854**  
[22] **Filed: Mar. 6, 1990**  
[52] **U.S. Cl. .... D24/213**  
[58] **Field of Search ..... D24/213, 212, 200; 128/25 B, 42, 40, 41, 45**

4,679,550 7/1987 Quam et al. .... 128/57

**FOREIGN PATENT DOCUMENTS**

201380 12/1981 German Democratic Rep. .  
955899 2/1980 U.S.S.R. .

*Primary Examiner—Stella Reid*  
*Attorney, Agent, or Firm—Terry M. Gernstein*

[57] **CLAIM**

The ornamental design for a foot stool massager, as shown and described.

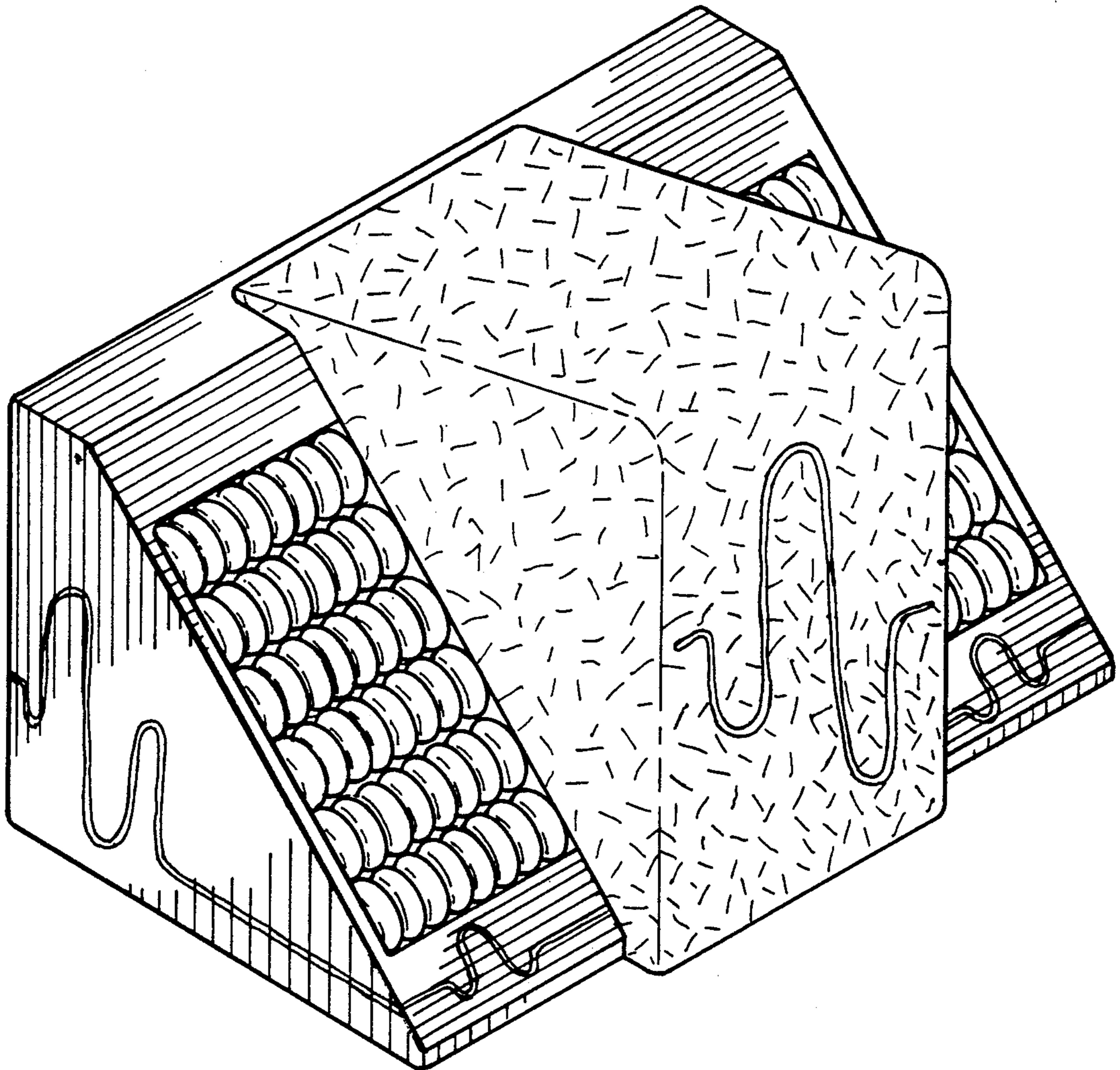
[56] **References Cited**

**U.S. PATENT DOCUMENTS**

D. 287,405	12/1986	Nakao et al. ....	D24/213 X
1,344,277	6/1920	Phillips .....	297/423
1,947,410	2/1934	Emerson .....	297/423
2,153,230	4/1939	Bagnell .....	D24/213 X
2,534,412	12/1950	Burnett et al. ....	128/57 X
3,606,458	9/1971	Attinger .....	297/423
4,549,767	10/1985	Hampshire .....	297/423
4,678,234	7/1987	Wilson .....	297/423

**DESCRIPTION**

FIG. 1 is a perspective view of a foot stool massager, showing my new design;  
FIG. 2 is a front elevational view thereof;  
FIG. 3 is a rear elevational view thereof;  
FIG. 4 is an end elevational view thereof;  
FIG. 5 is an end elevational view thereof; opposite that shown in FIG. 4;  
FIG. 6 is a top plan view thereof; and,  
FIG. 7 is a bottom plan view thereof.



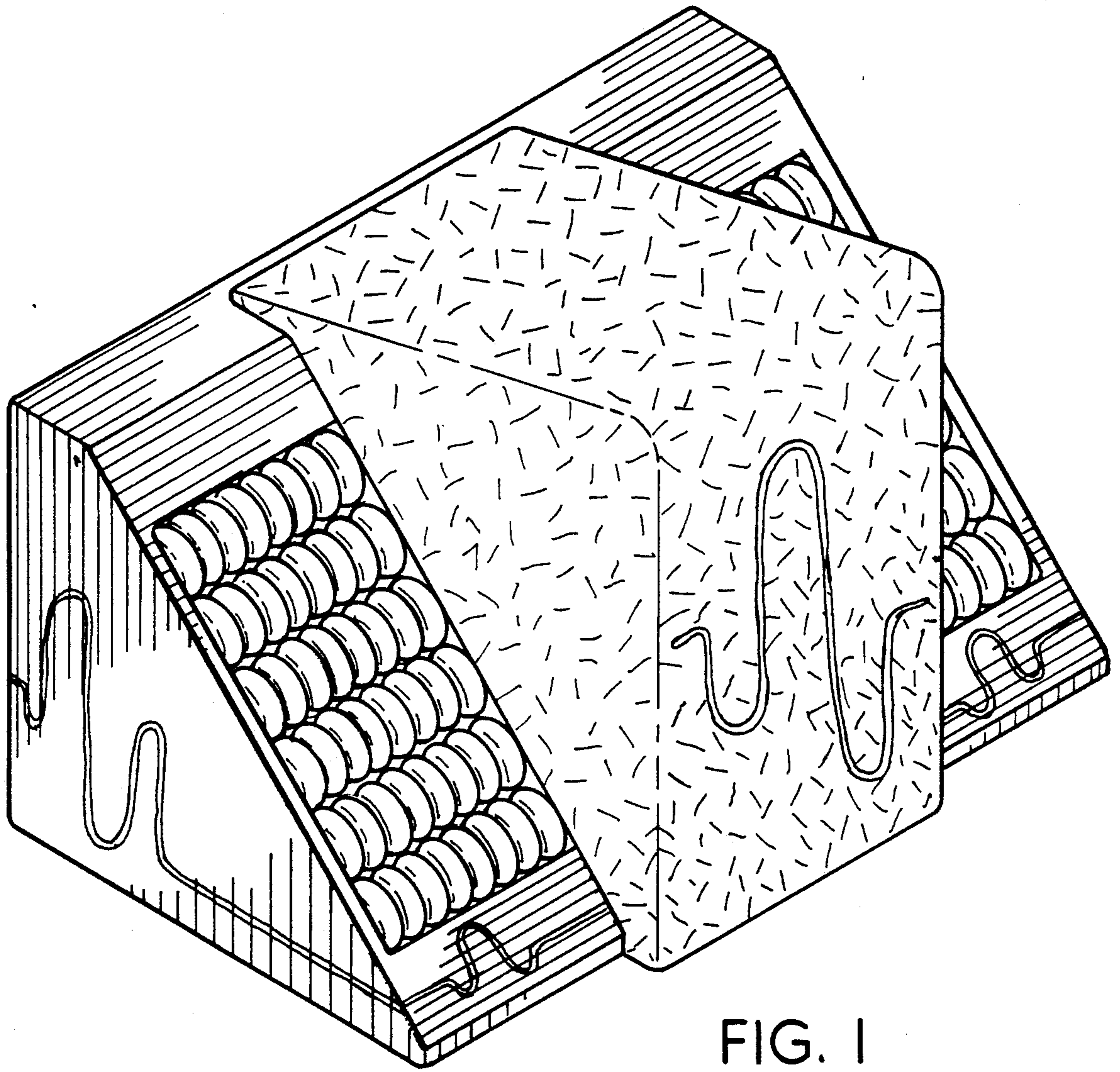


FIG. 1

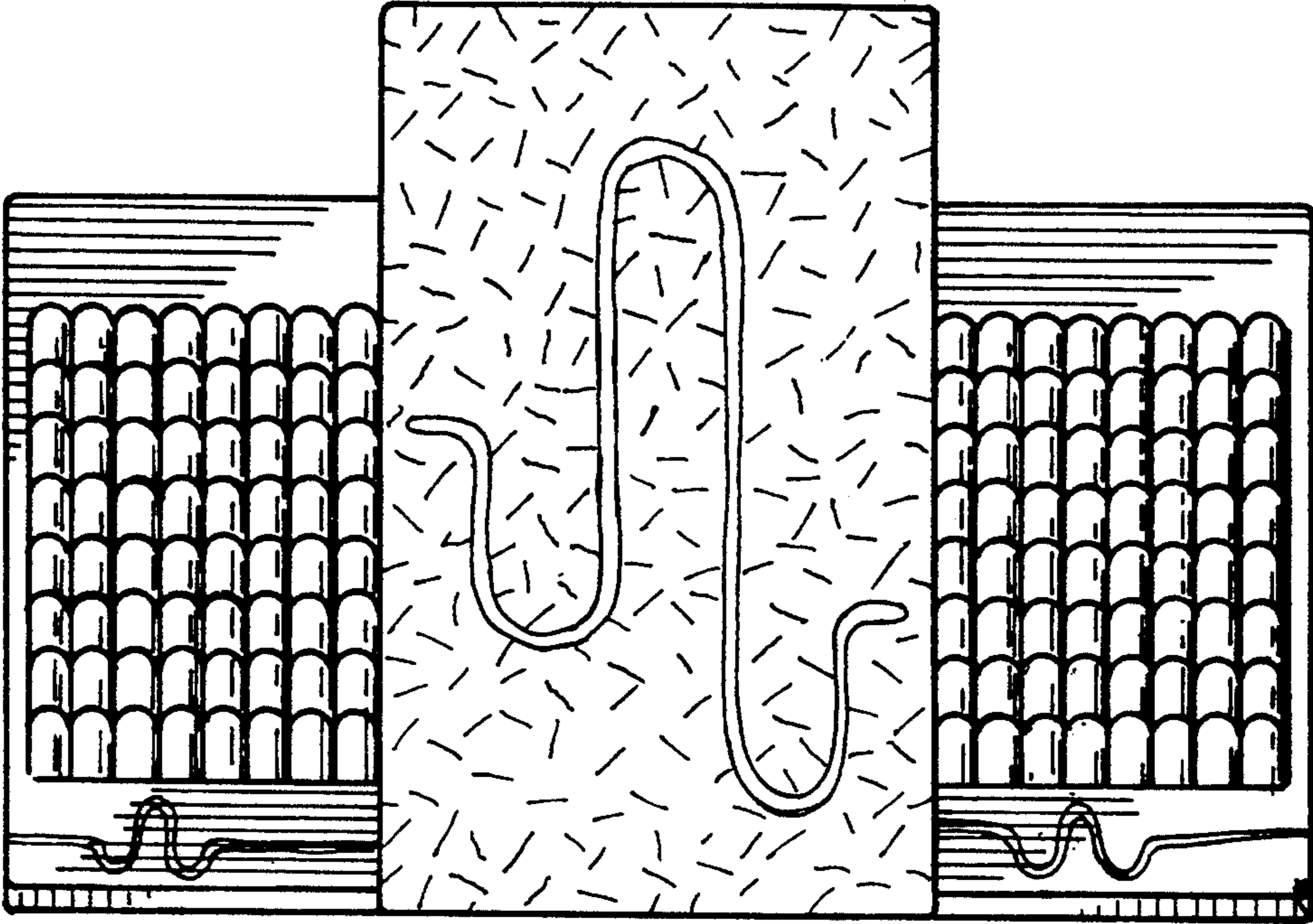


FIG. 2

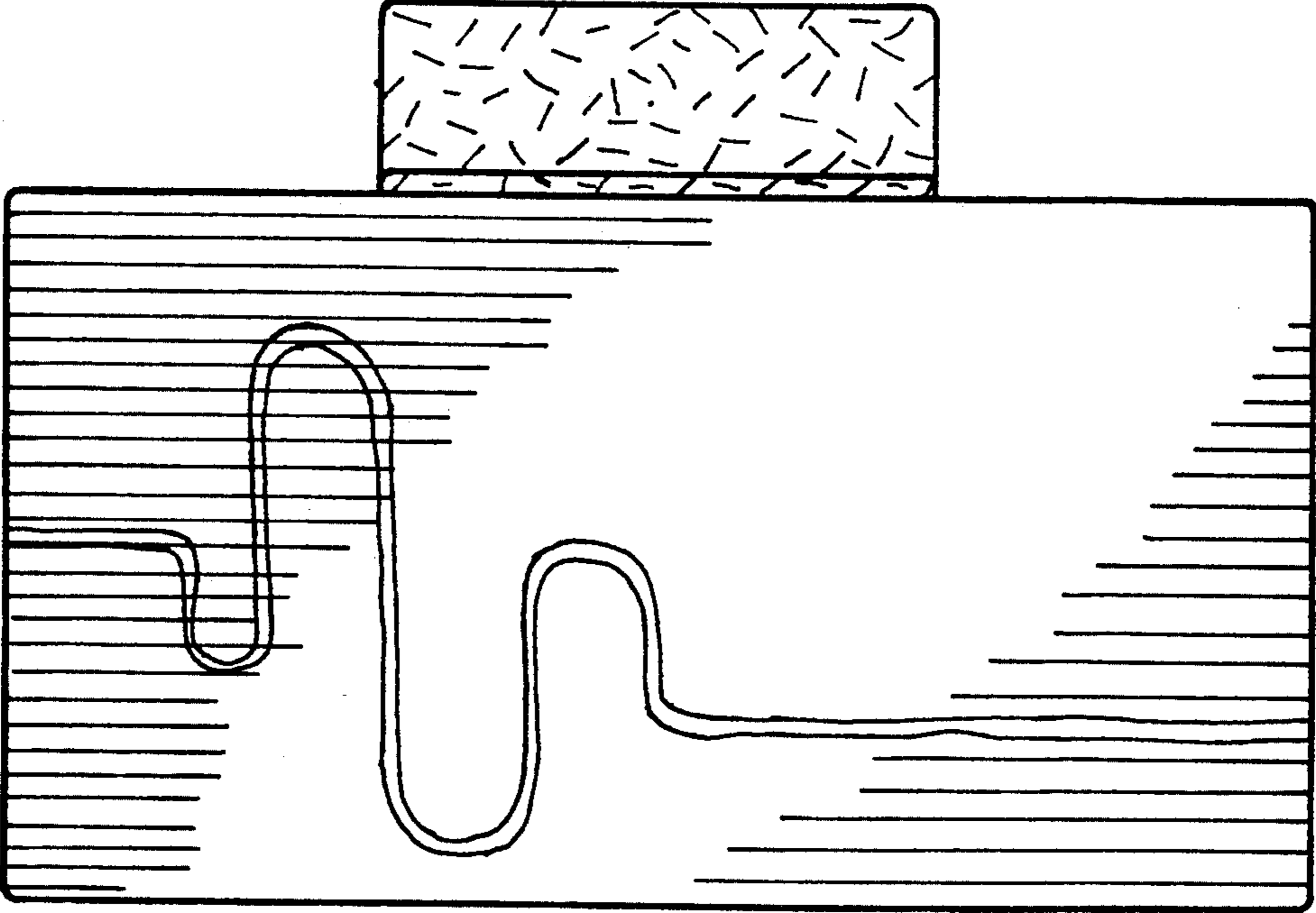


FIG. 3

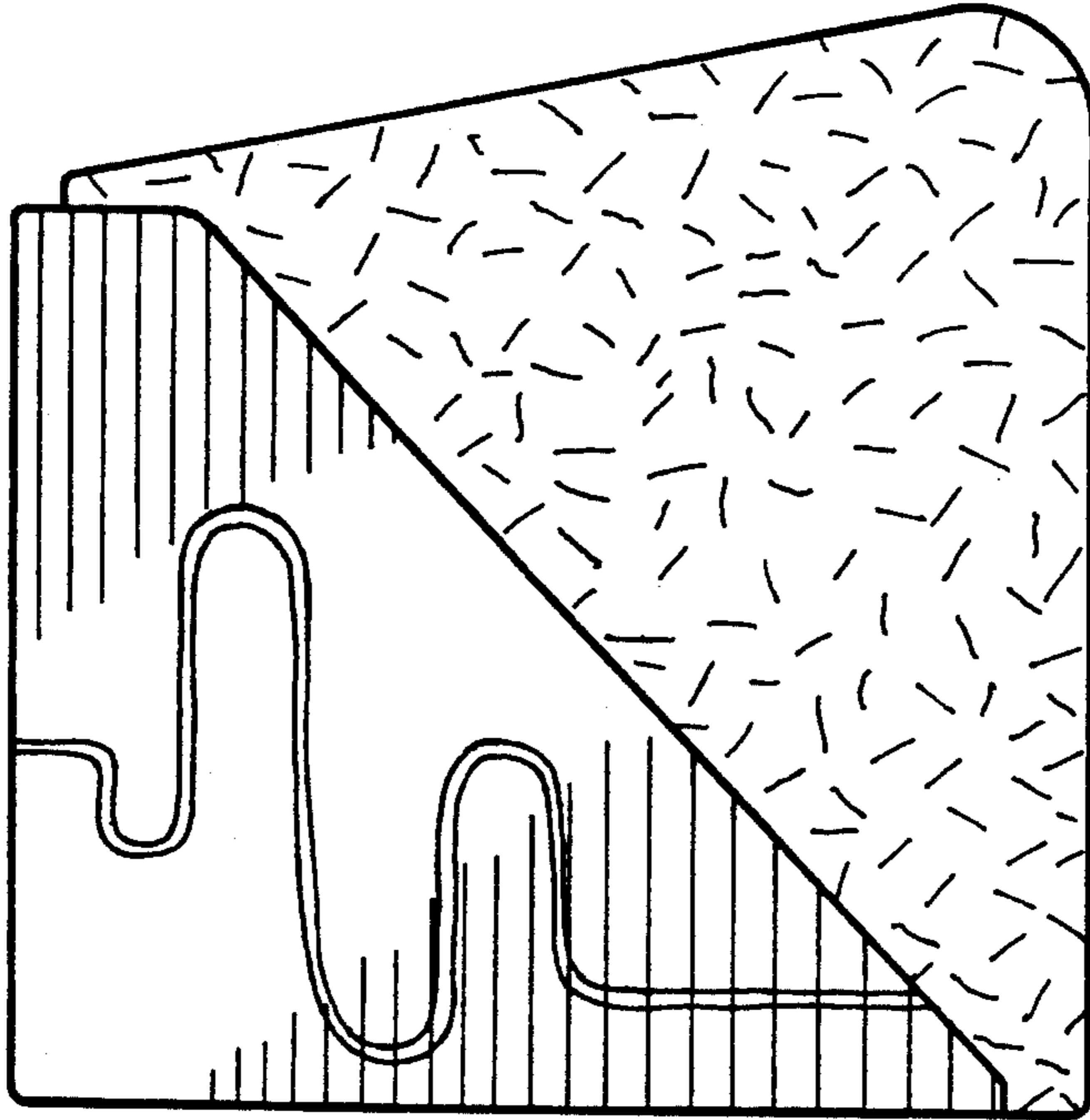


FIG. 4

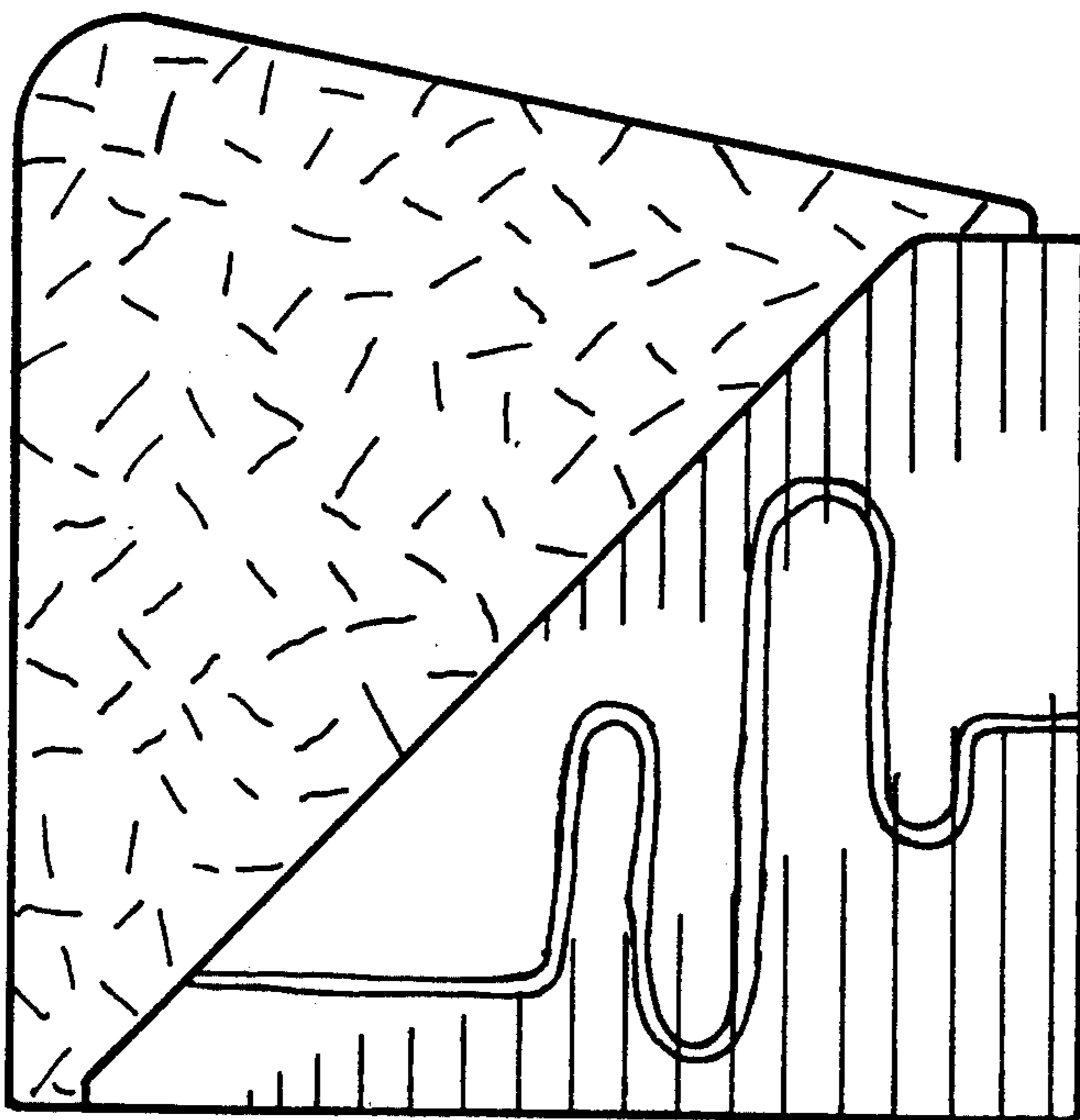


FIG. 5

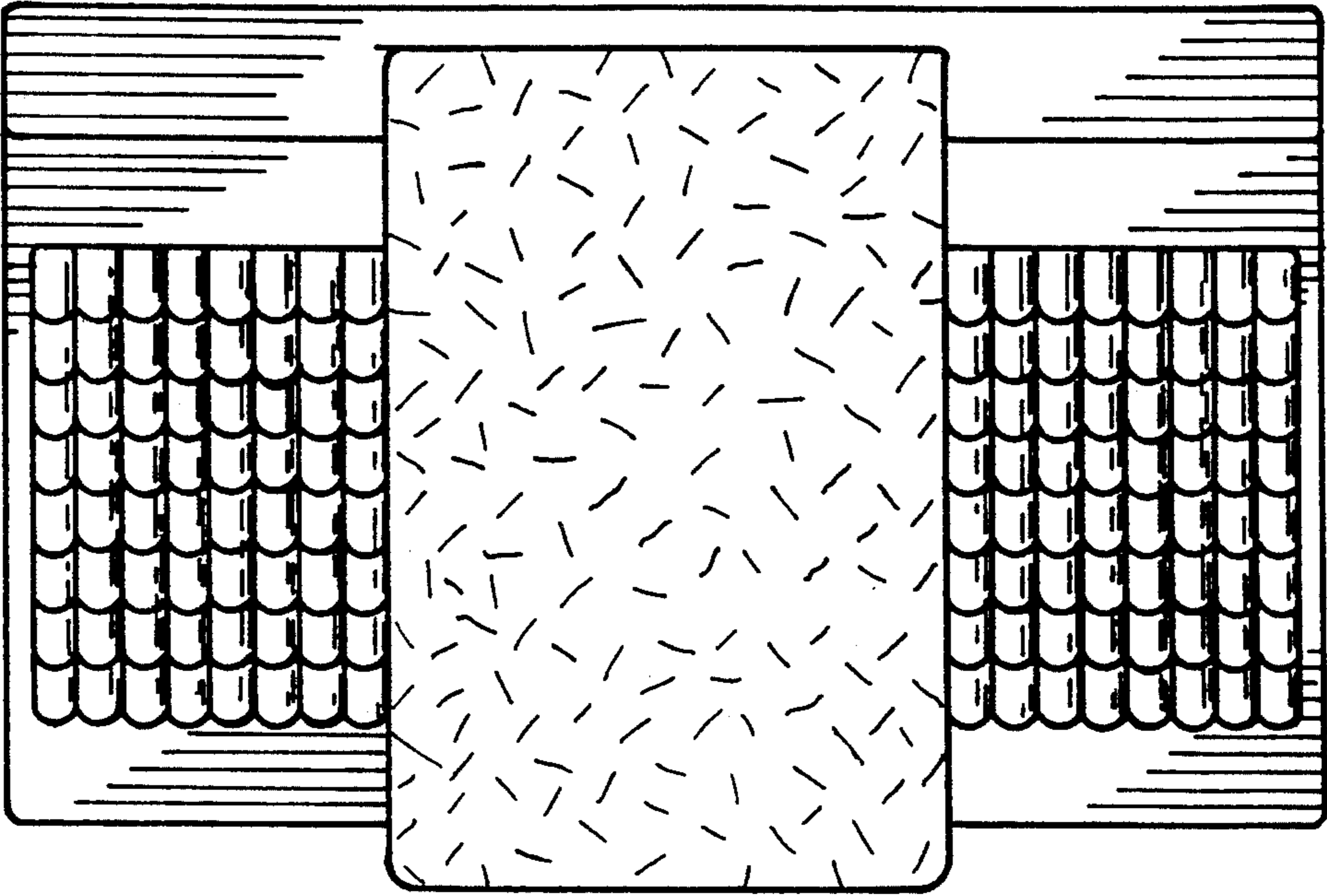


FIG. 6

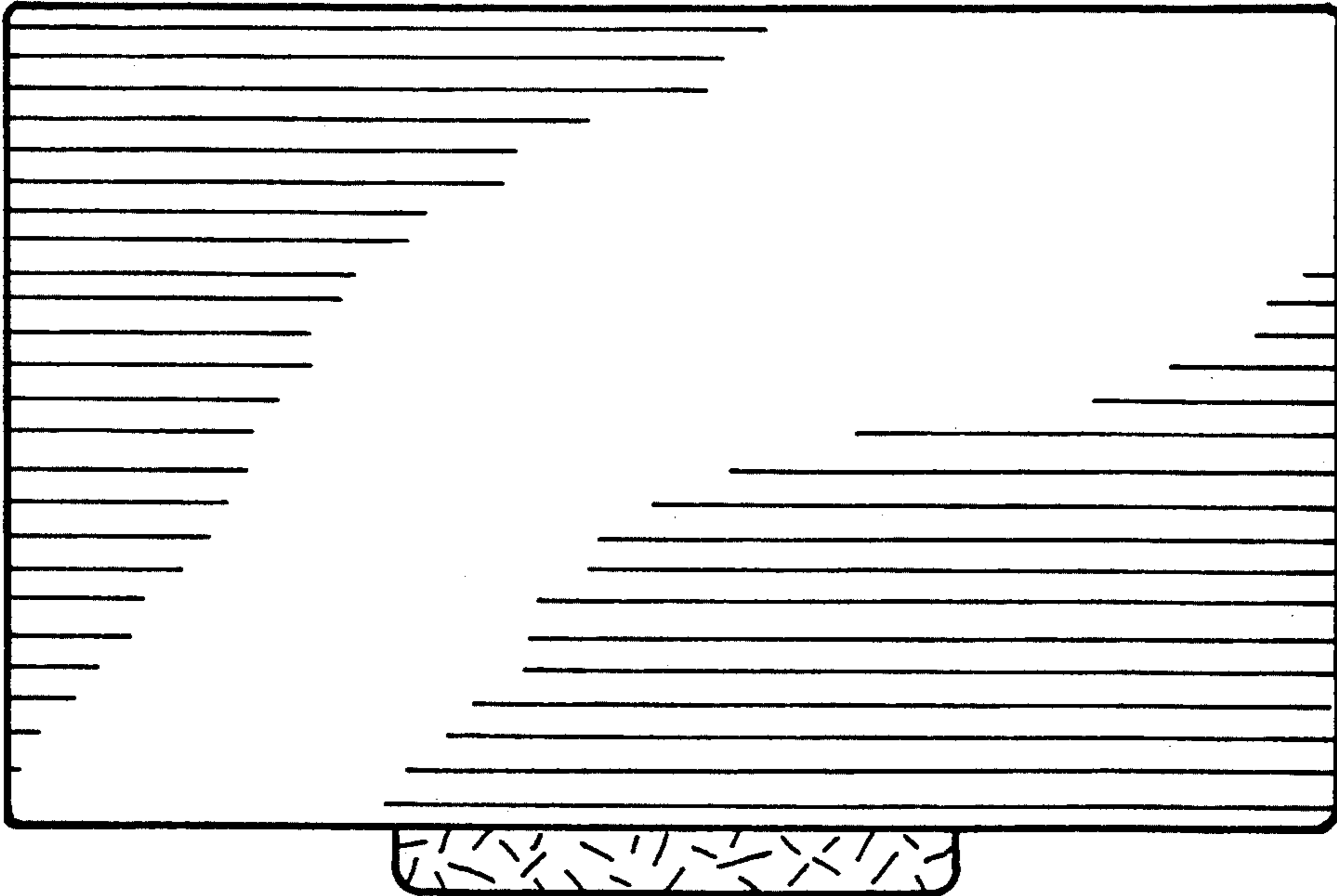


FIG. 7