



US00D329702S

# United States Patent [19]

[11] Patent Number: **Des. 329,702**

Sato et al.

[45] Date of Patent: **\*\* Sep. 22, 1992**

[54] **DIRECT PRESSURE MONITOR**

[75] Inventors: **Stephens N. Sato, Del Mar; Wallace L. Knute, Leucadia, both of Calif.**

[73] Assignee: **Camino Laboratories, Inc., San Diego, Calif.**

[\*\*] Term: **14 Years**

[21] Appl. No.: **477,214**

[22] Filed: **Feb. 8, 1990**

[52] U.S. Cl. .... **D24/169; D24/186**

[58] Field of Search ..... **D10/46, 75, 81; D24/108, 111, 165, 169, 186; 128/637, 665, 666, 667, DIG. 13**

[56] **References Cited**

### U.S. PATENT DOCUMENTS

D. 222,956	2/1972	Sato .....	D24/111
D. 222,957	2/1972	Sato .....	D24/111
D. 268,284	3/1983	Manno et al. ....	D24/111
D. 278,743	5/1985	Manno et al. ....	D24/8
D. 285,112	8/1986	Sato et al. ....	D24/17
D. 296,240	6/1988	Albright et al. ....	D24/186
D. 296,823	7/1988	Kuwa et al. ....	D24/186
D. 300,359	3/1989	Lee et al. ....	D24/186
D. 312,307	11/1990	Leibson et al. ....	D24/186 X

3,456,648	7/1969	Lee et al. ....	128/214
3,590,809	7/1971	London .....	128/2.05 D
3,602,214	8/1971	London et al. ....	128/2.05 D
4,201,222	5/1980	Haase .....	128/634
4,347,851	9/1982	Jundanian .....	128/668
4,460,358	7/1984	Somerville et al. ....	D24/111 X

### OTHER PUBLICATIONS

Camino Laboratories, Camino System 420, Sep., 1985, front cover.

*Primary Examiner*—Donald P. Walsh

*Assistant Examiner*—Antoine D. Davis

*Attorney, Agent, or Firm*—Fulwider, Patton, Lee & Utecht

### [57] CLAIM

The ornamental design for the direct pressure monitor, as shown and described.

### DESCRIPTION

FIG. 1 is a top, front and left side perspective view of a direct pressure monitor showing our new design; FIG. 2 is a front elevational view; FIG. 3 is a top plan view; FIG. 4 is a rear elevational view; FIG. 5 is a bottom plan view; FIG. 6 is a left side elevational view; and, FIG. 7 is a right side elevational view thereof.

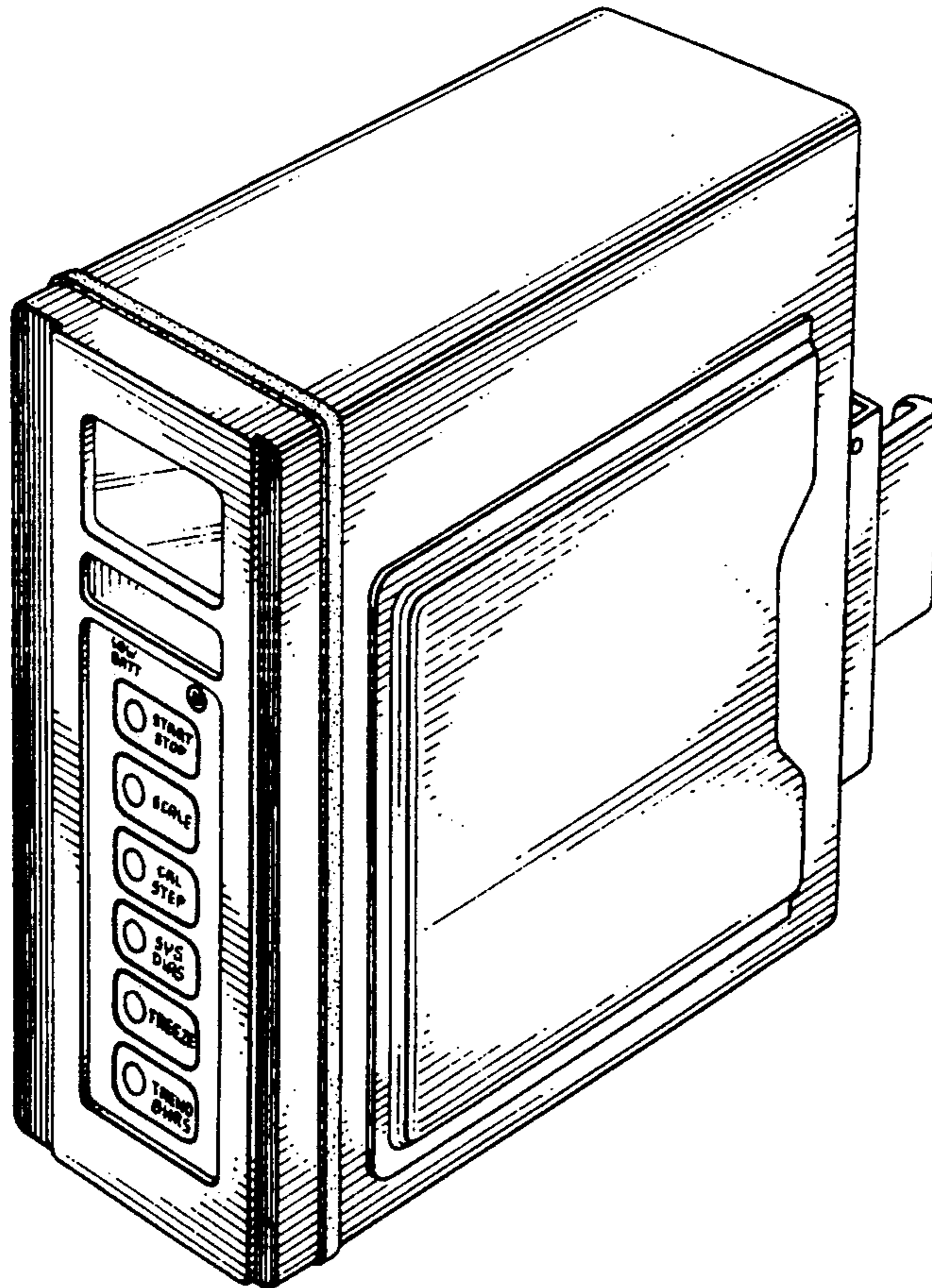


FIG. 1

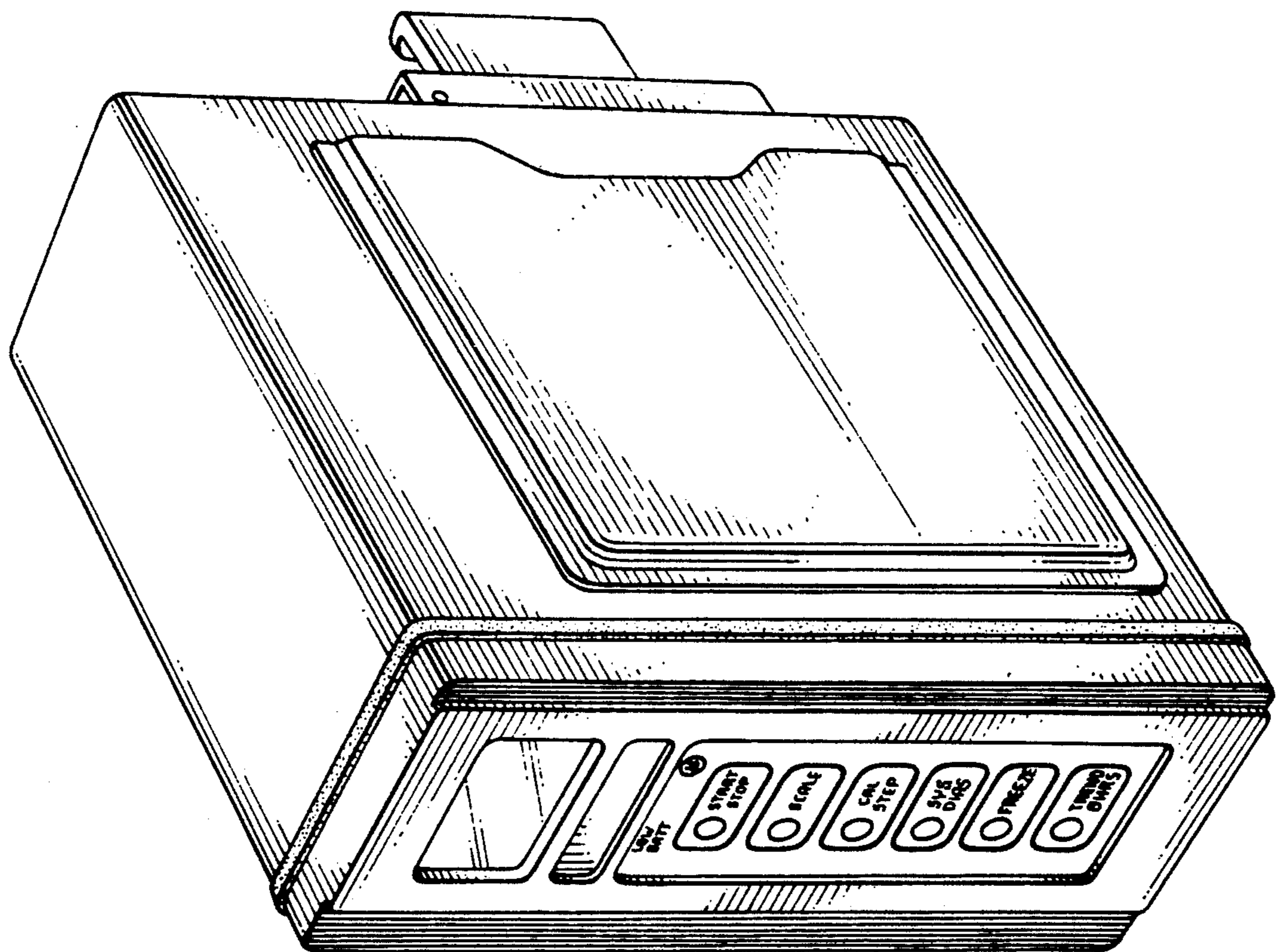




FIG. 3

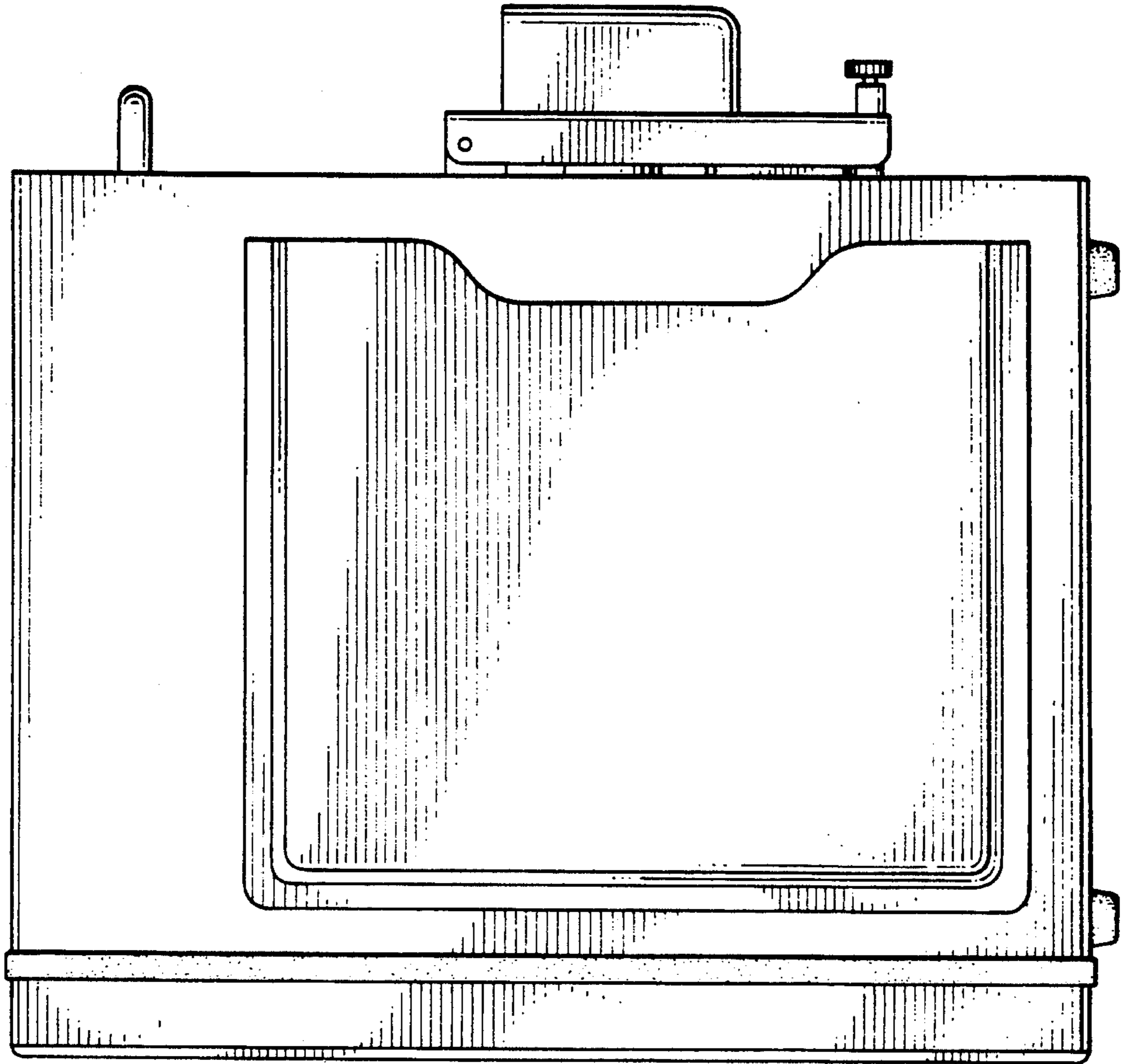


FIG. 2

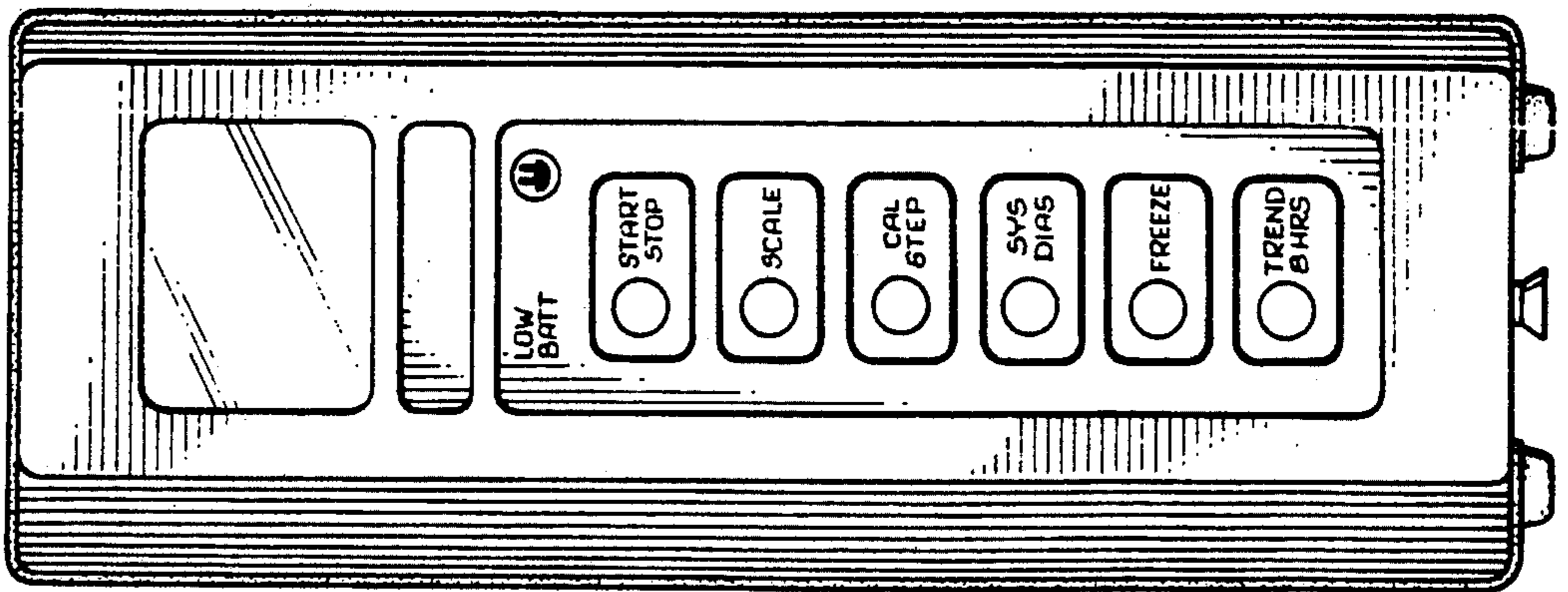


FIG. 5

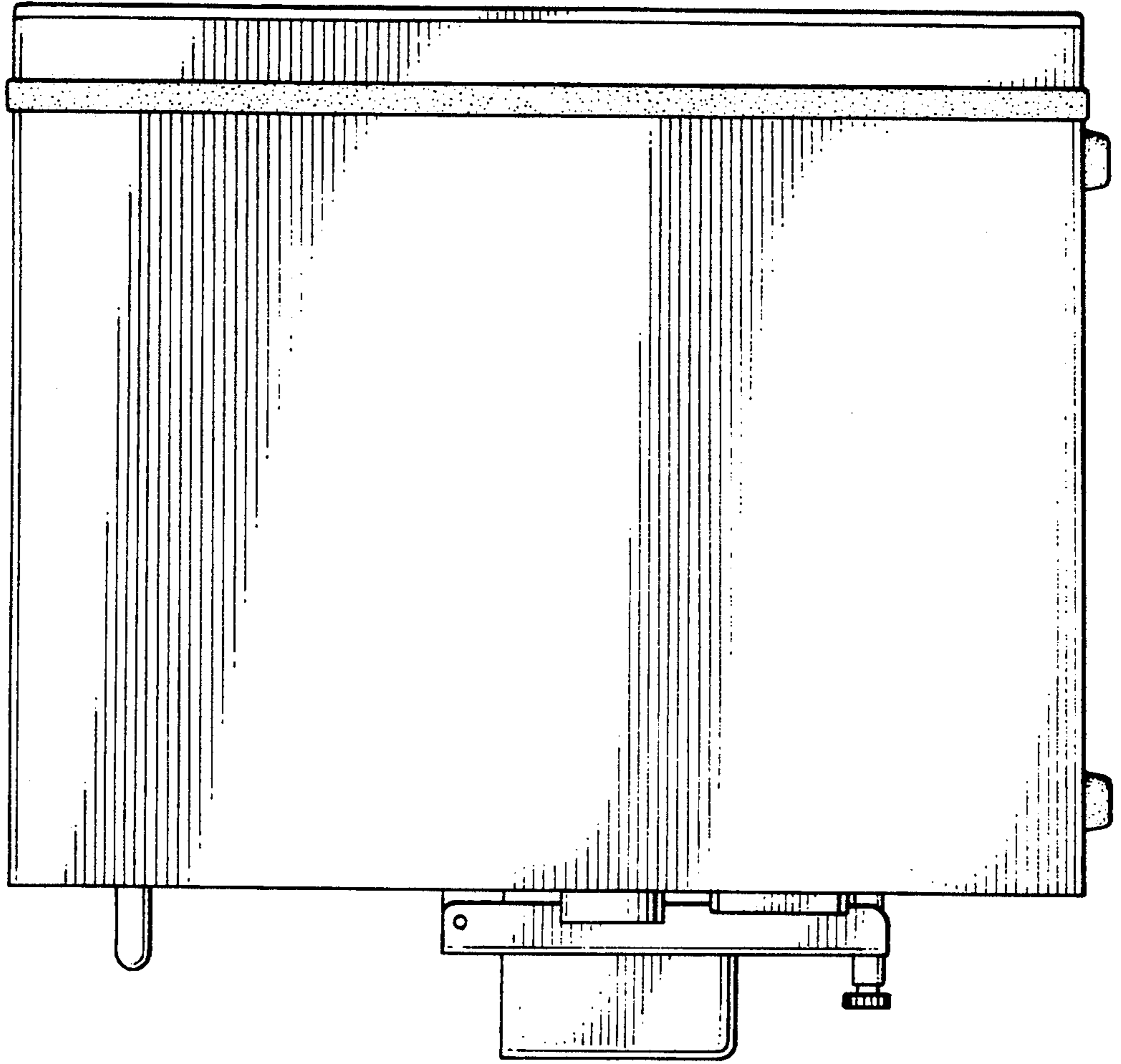
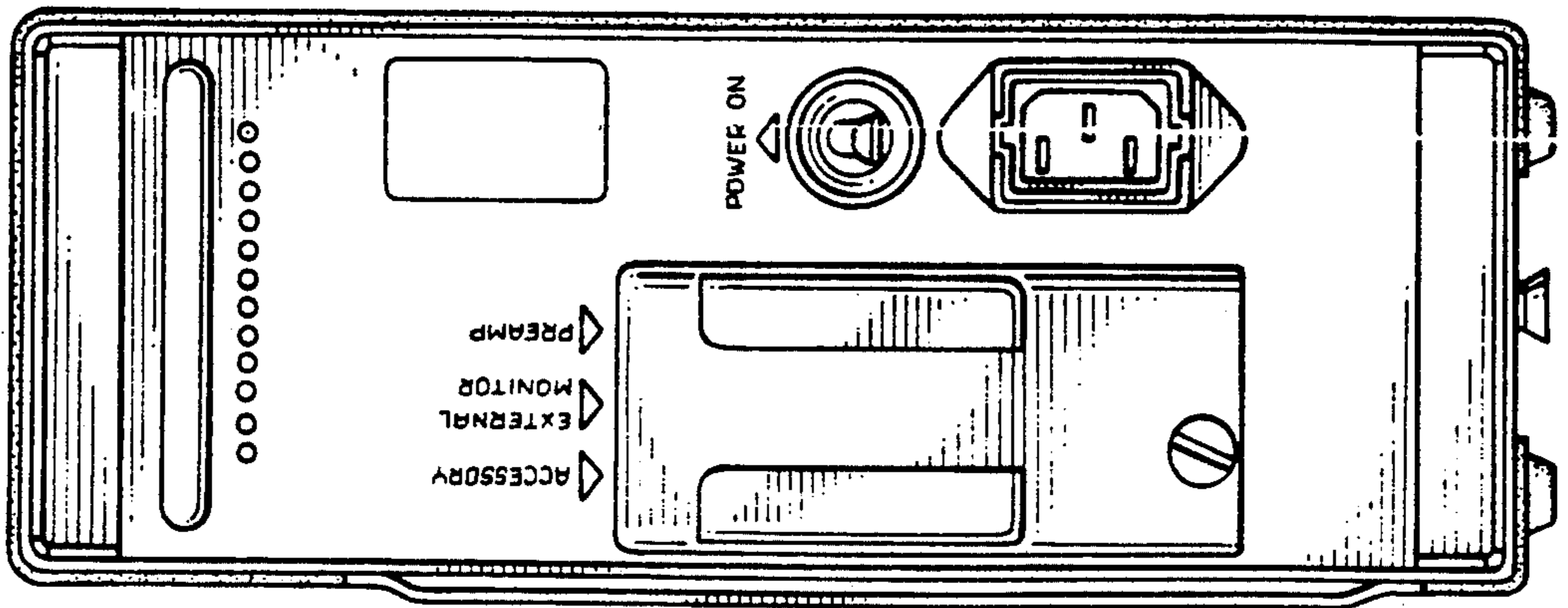


FIG. 4



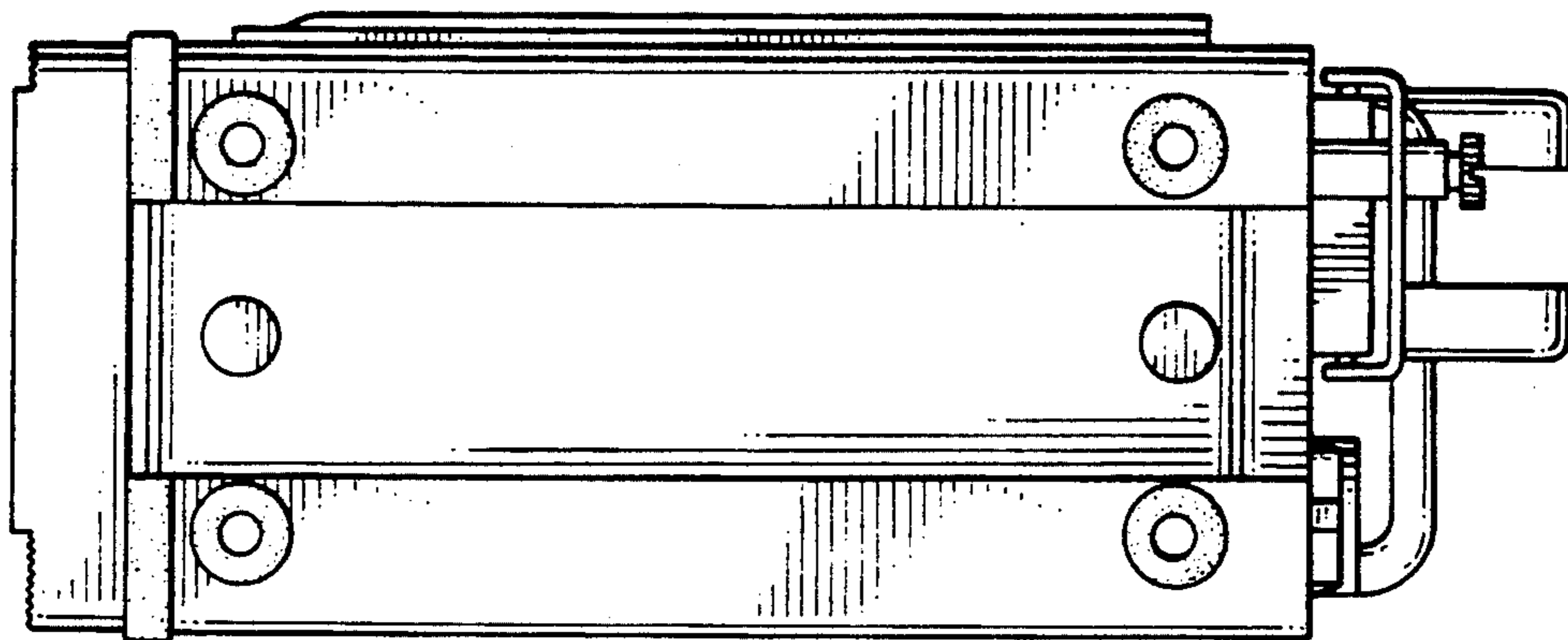


FIG. 7

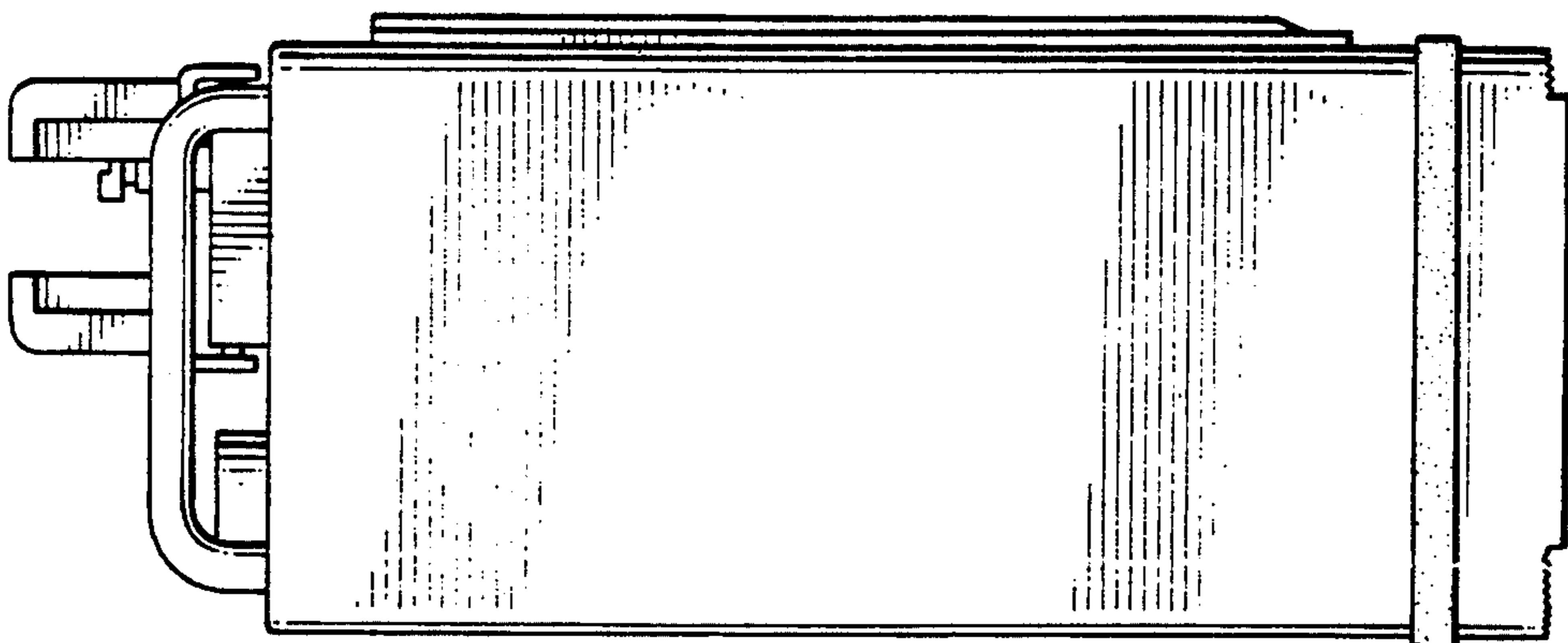


FIG. 6