



US00D329698S

United States Patent [19]

[11] Patent Number: **Des. 329,698**

Loney et al.

[45] Date of Patent: **** Sep. 22, 1992**

[54] **CLAMP FOR GRIPPING A GUIDE WIRE OR HOLLOW TUBE FOR A CATHETER**

[75] Inventors: **Carol Loney, St. Louis Park; David B. Robinson, Chanhassen, both of Minn.**

[73] Assignee: **SciMed Life Systems, Inc., Maple Grove, Minn.**

[**] Term: **14 Years**

[21] Appl. No.: **806,412**

[22] Filed: **Dec. 13, 1991**

4,057,186	11/1977	Hedger	226/127
4,326,520	4/1982	Alley	604/159 X
4,598,708	7/1986	Beranek	128/303 R
4,615,472	10/1986	Nash	604/178 X
4,664,115	5/1987	Ohachi	606/1
4,726,369	2/1988	Mar	128/303 R
4,799,496	1/1989	Hargreaves et al.	128/772
4,829,999	5/1989	Auth	128/303 R
4,858,810	8/1989	Intlekofer et al.	604/159
4,874,371	10/1989	Comben et al.	604/95
4,957,117	9/1990	Wysham	604/95

Primary Examiner—Stella Reid
Attorney, Agent, or Firm—Kinney & Lange

Related U.S. Application Data

[60] Division of Ser. No. 704,668, May 20, 1991, which is a continuation of Ser. No. 442,246, Nov. 28, 1989.

[52] U.S. Cl. **D24/143; D24/133**

[58] Field of Search **D24/133, 143, 140; 604/159, 158, 165, 170; 128/657, 658, 656; 606/1, 157, 159, 208**

[57] CLAIM

The ornamental design for a clamp for gripping a guide wire or hollow tube for a catheter, as shown and described.

DESCRIPTION

FIG. 1 is a perspective view of a clamp for gripping a guide wire or hollow tube for a catheter, showing our new design, in disassembled condition;

FIG. 2 is a perspective view thereof, in assembled condition;

FIG. 3 is a top plan view of the body portion thereof;

FIG. 4 is a front elevational view of the body portion thereof;

FIG. 5 is a rear elevational view of the body portion thereof;

FIG. 6 is a cross-sectional view taken along line 6—6 of FIG. 3;

FIG. 7 is a bottom plan view of the body portion thereof;

FIG. 8 is a top plan view of the slide portion thereof;

FIG. 9 is a side elevational view of the slide portion thereof; the opposite side elevational view being identical;

FIG. 10 is a front elevational view of the slide portion thereof;

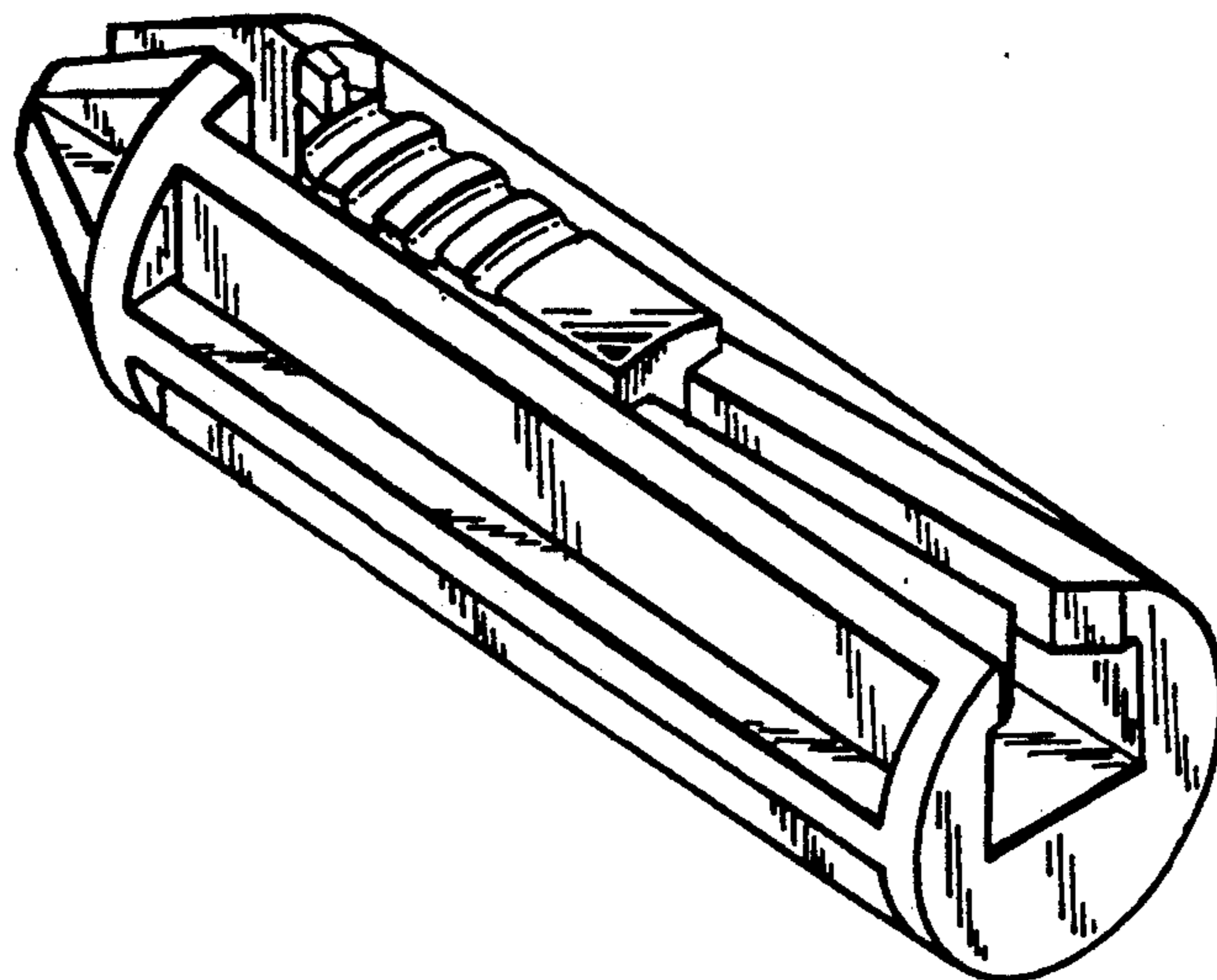
FIG. 11 is a rear elevational view of the slide portion thereof; and,

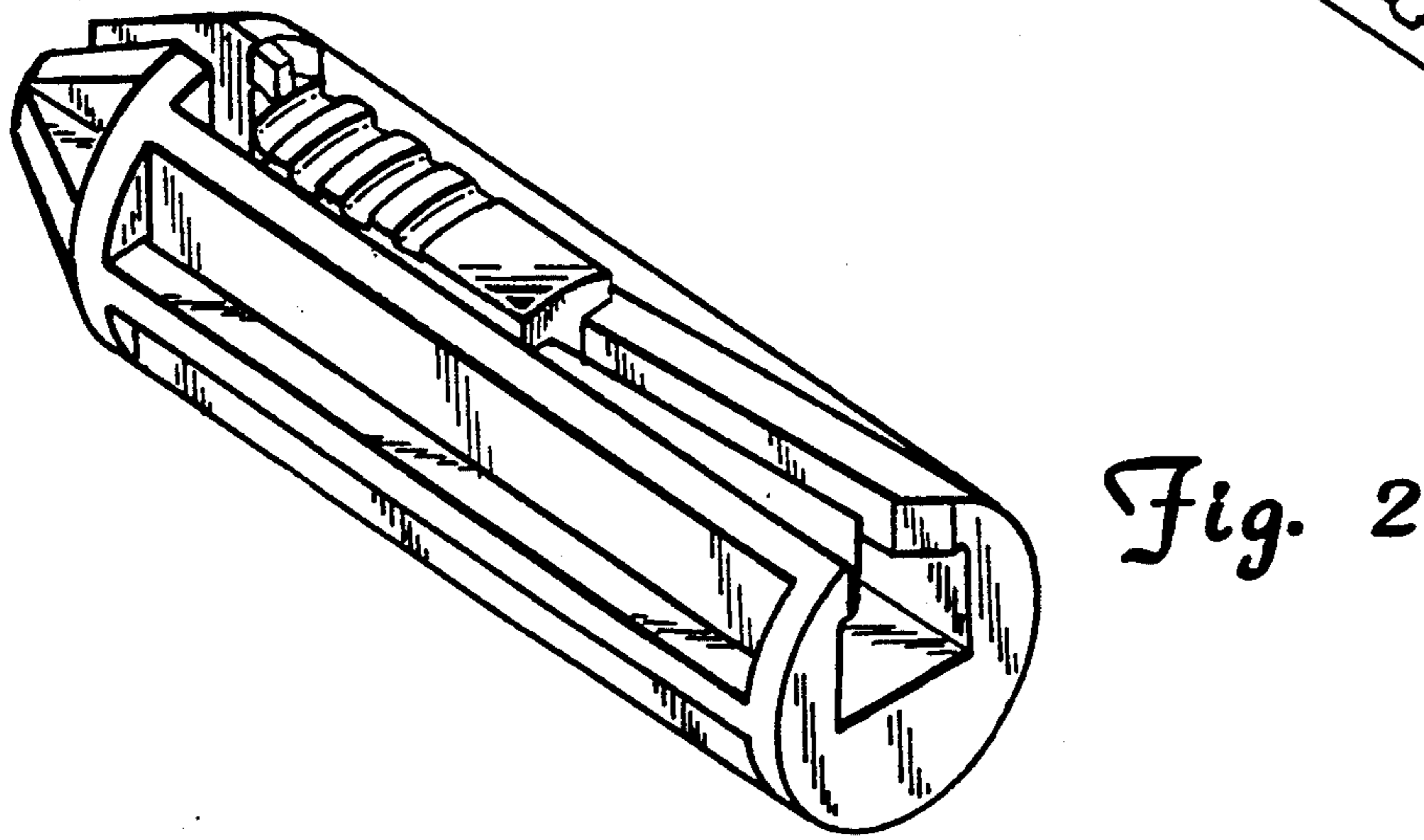
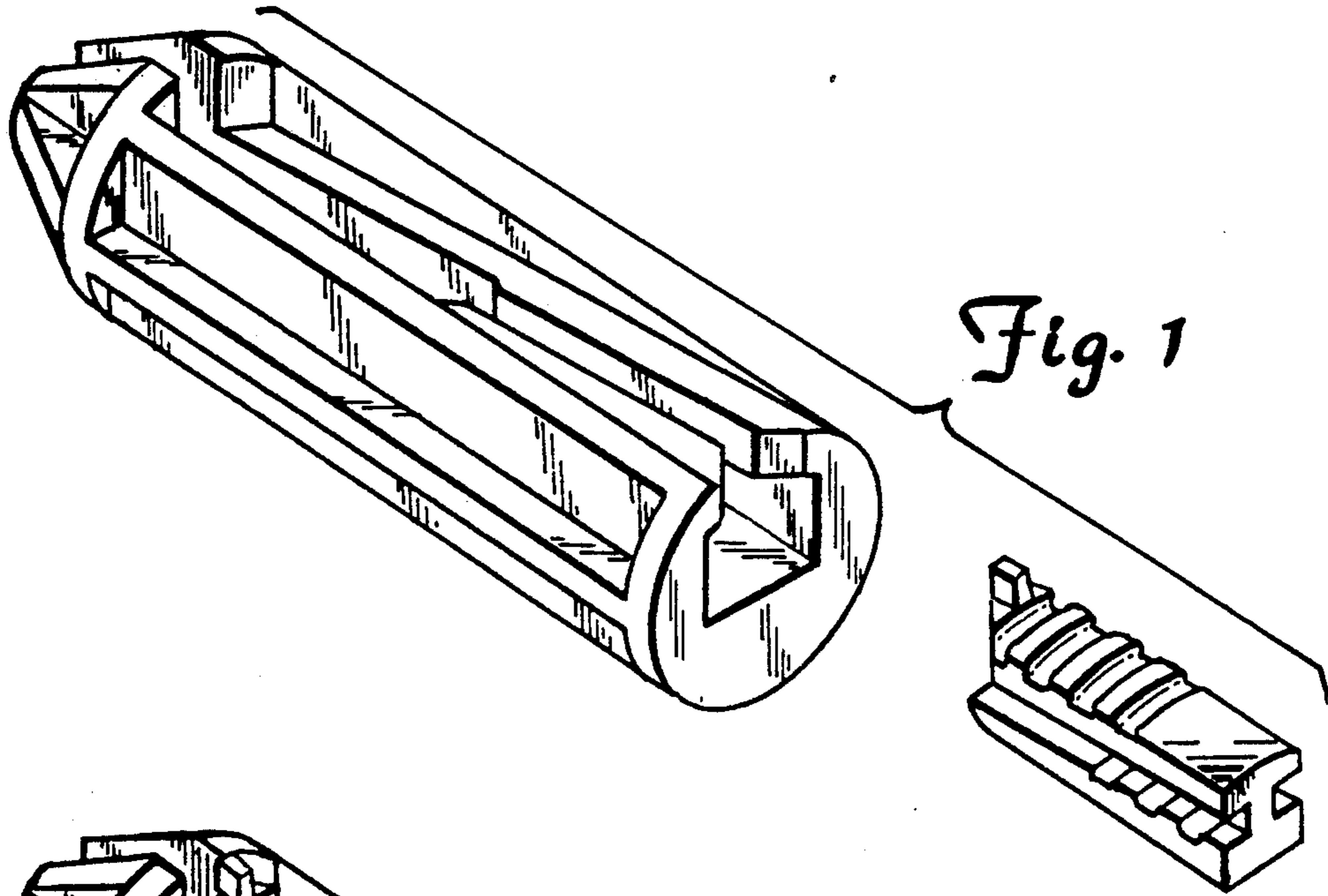
FIG. 12 is a bottom plan view of the slide portion thereof.

[56] References Cited

U.S. PATENT DOCUMENTS

904,863	11/1908	Glass et al.	24/136 R
1,111,878	9/1914	Carroll	.
1,133,388	3/1915	Merrill	.
1,238,167	8/1917	McIntyre	24/136 R
1,410,415	3/1922	Shell	.
1,442,862	1/1923	Curtis	.
2,009,825	7/1935	Wappler	128/349
2,025,848	12/1935	Collis	85/8
2,220,203	11/1940	Branin	24/136 R
2,621,664	12/1952	LeClabart	132/36.1
2,625,934	1/1953	Halliday	128/303
3,043,902	7/1962	Klein	174/146
3,045,676	7/1962	Slaten	606/159
3,070,057	12/1962	Dezzani	226/156
3,312,128	4/1967	Wasson	81/3
3,388,227	6/1968	Basso et al.	200/159
3,452,740	7/1969	Muller	128/2
3,515,137	6/1970	Santomieri	604/165
3,537,451	11/1970	Beck et al.	.
3,682,173	8/1972	Center	604/159
3,915,167	10/1975	Waterman	604/250
3,960,149	6/1976	Bujan	604/250





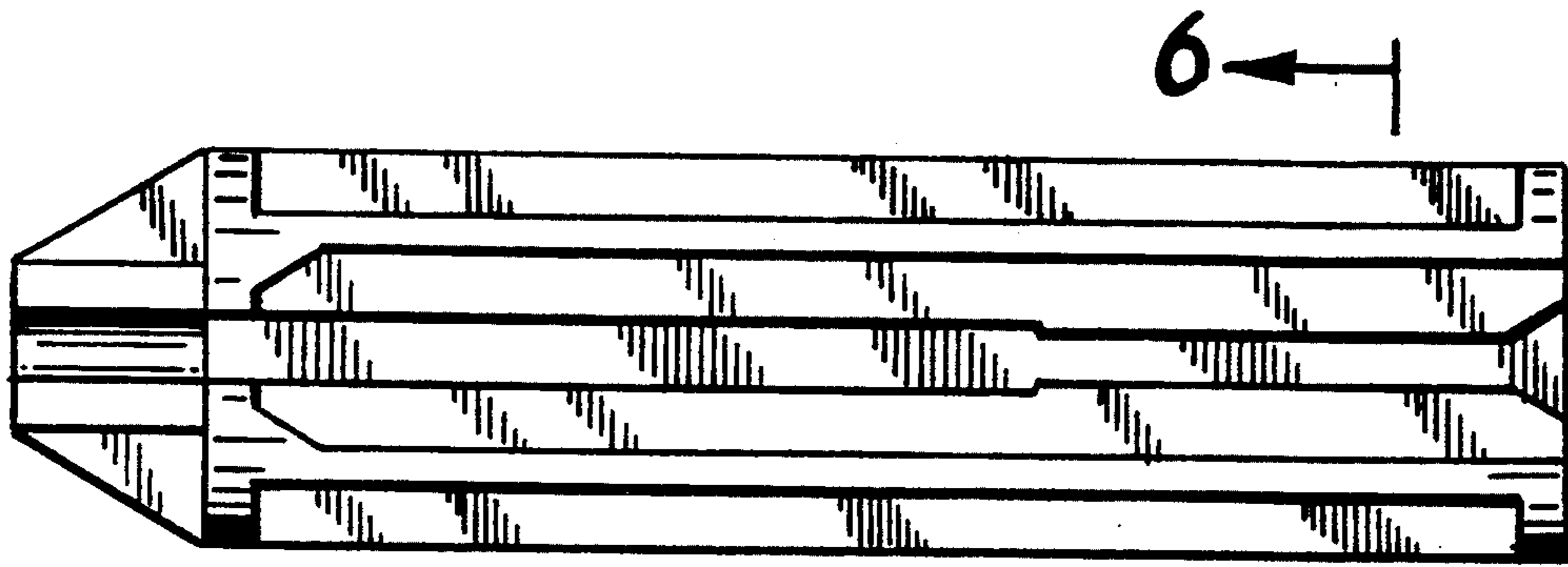


Fig. 3
6 ←

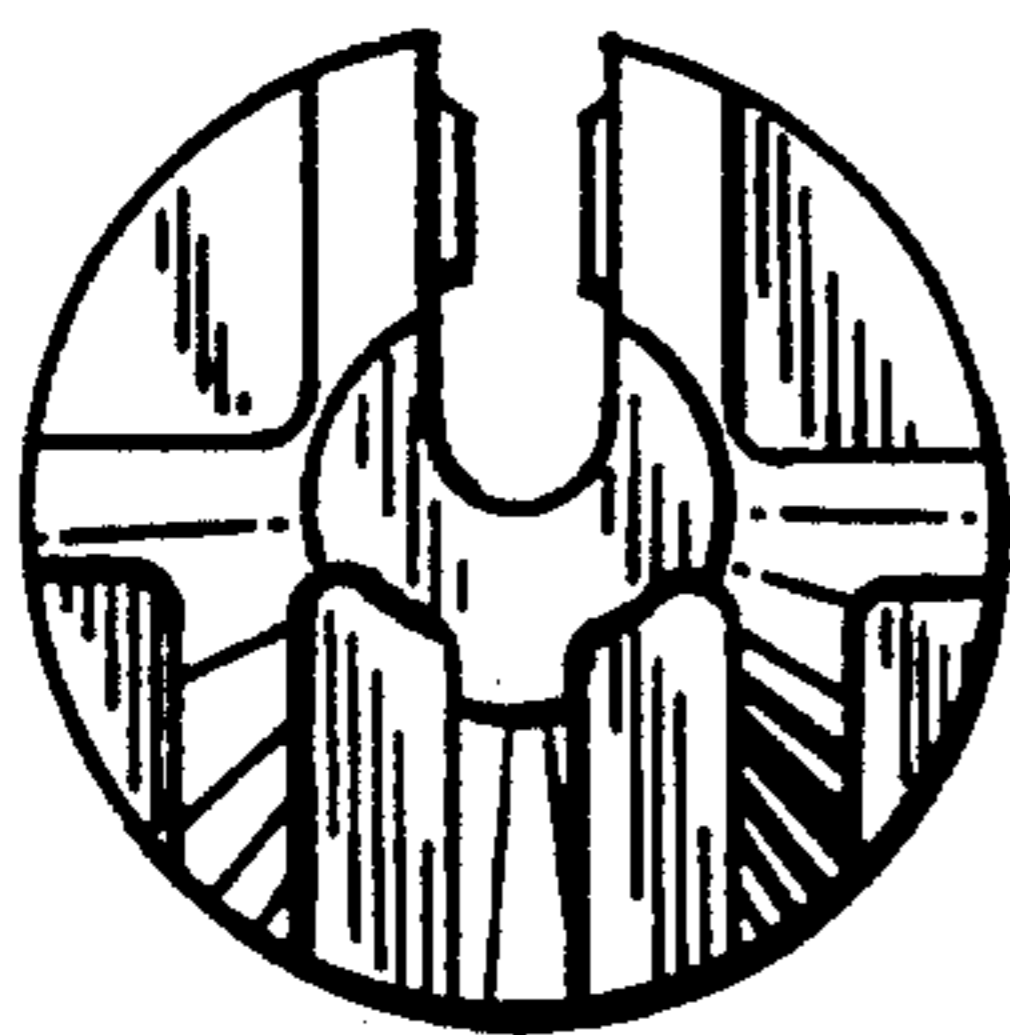


Fig. 4

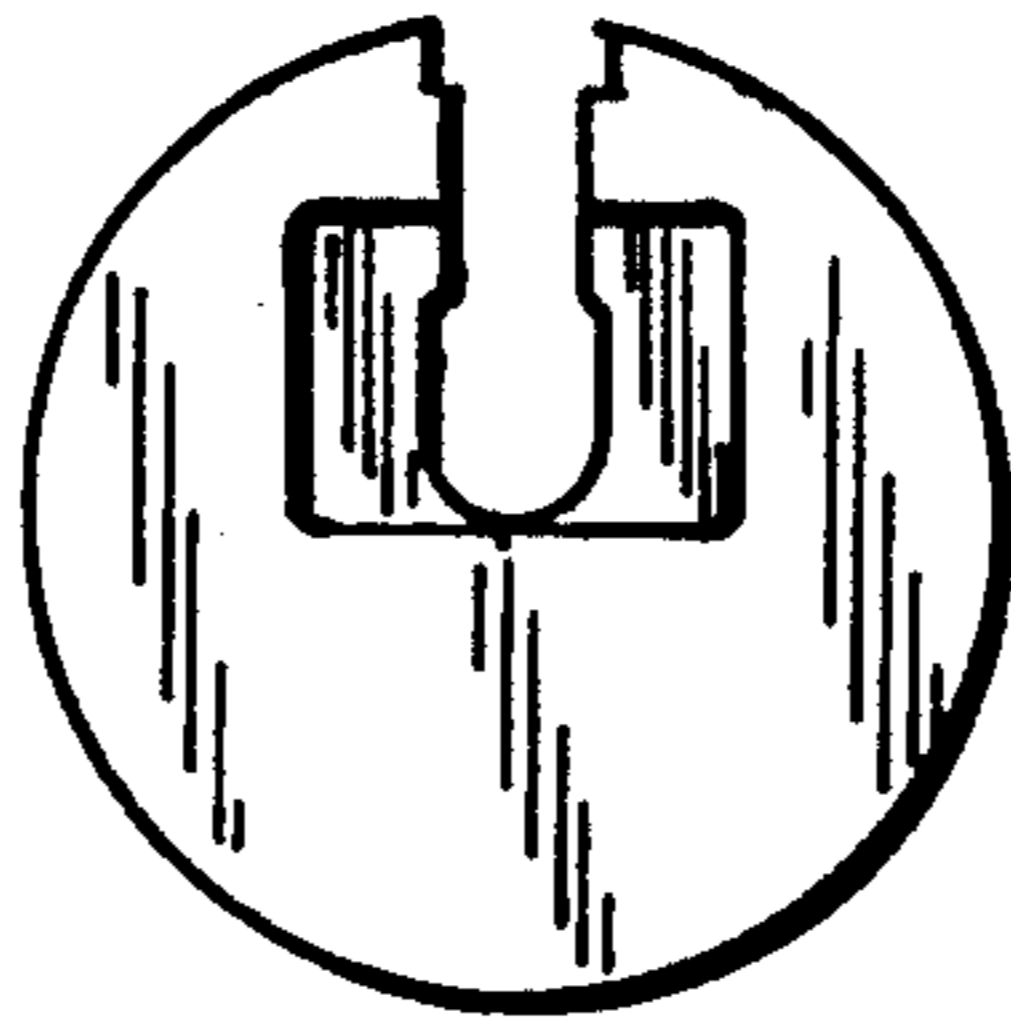


Fig. 5

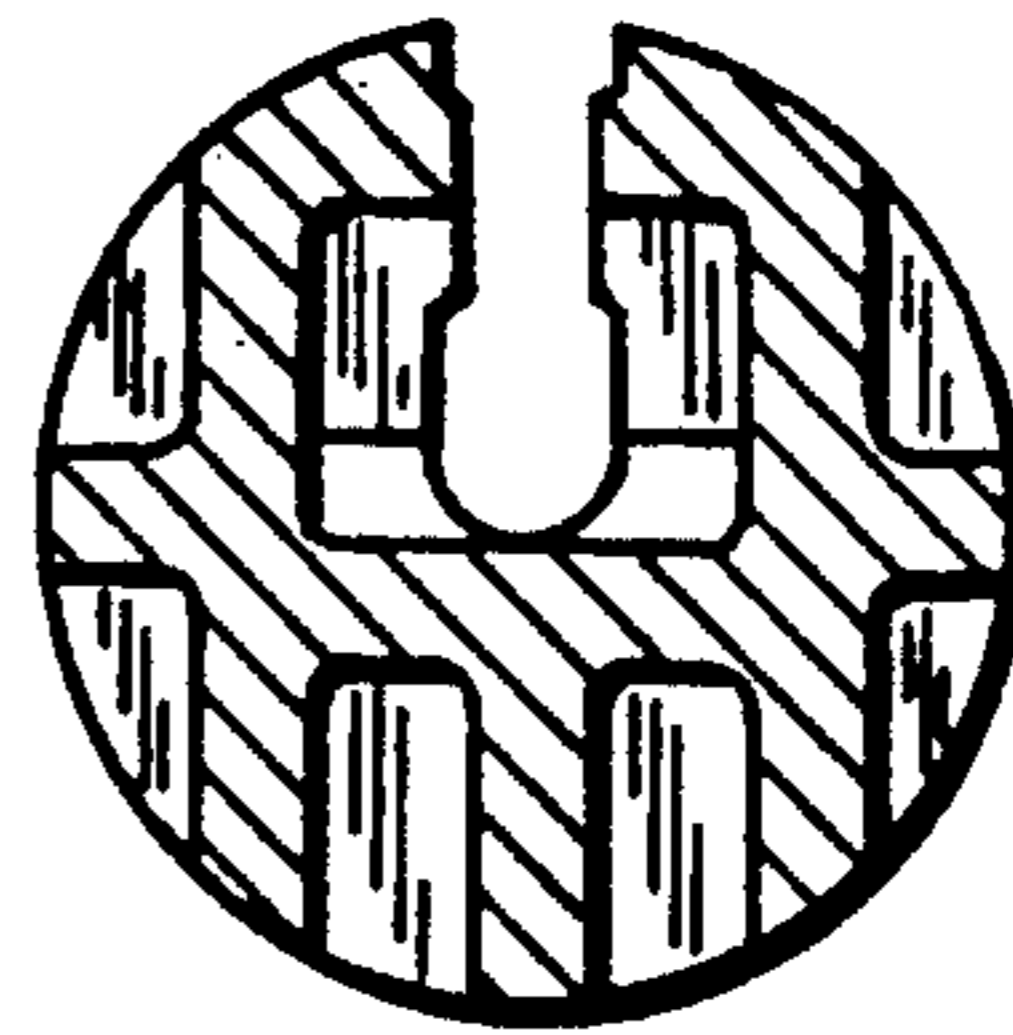


Fig. 6

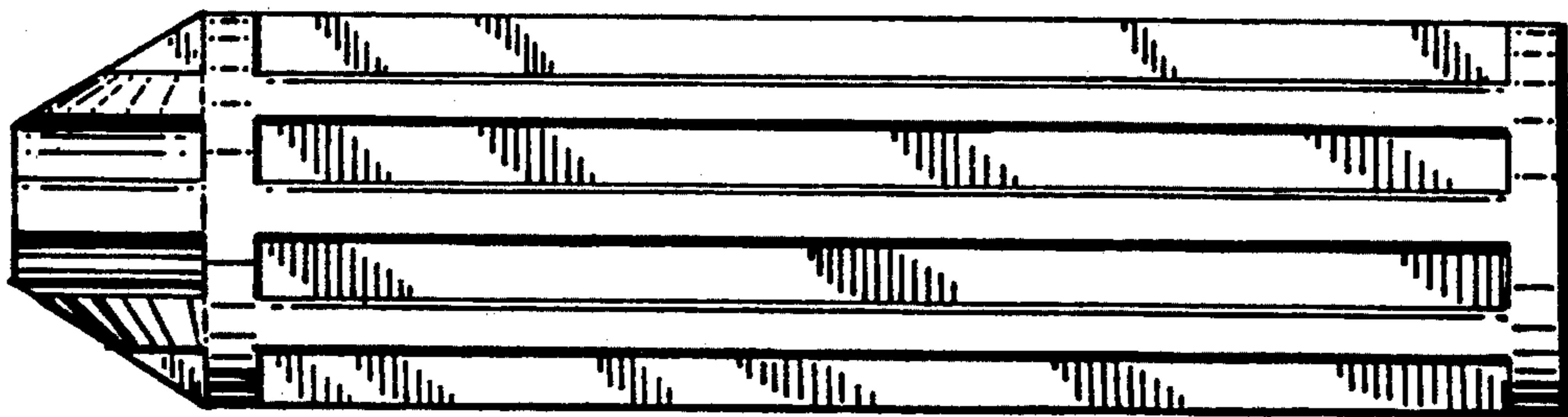


Fig. 7

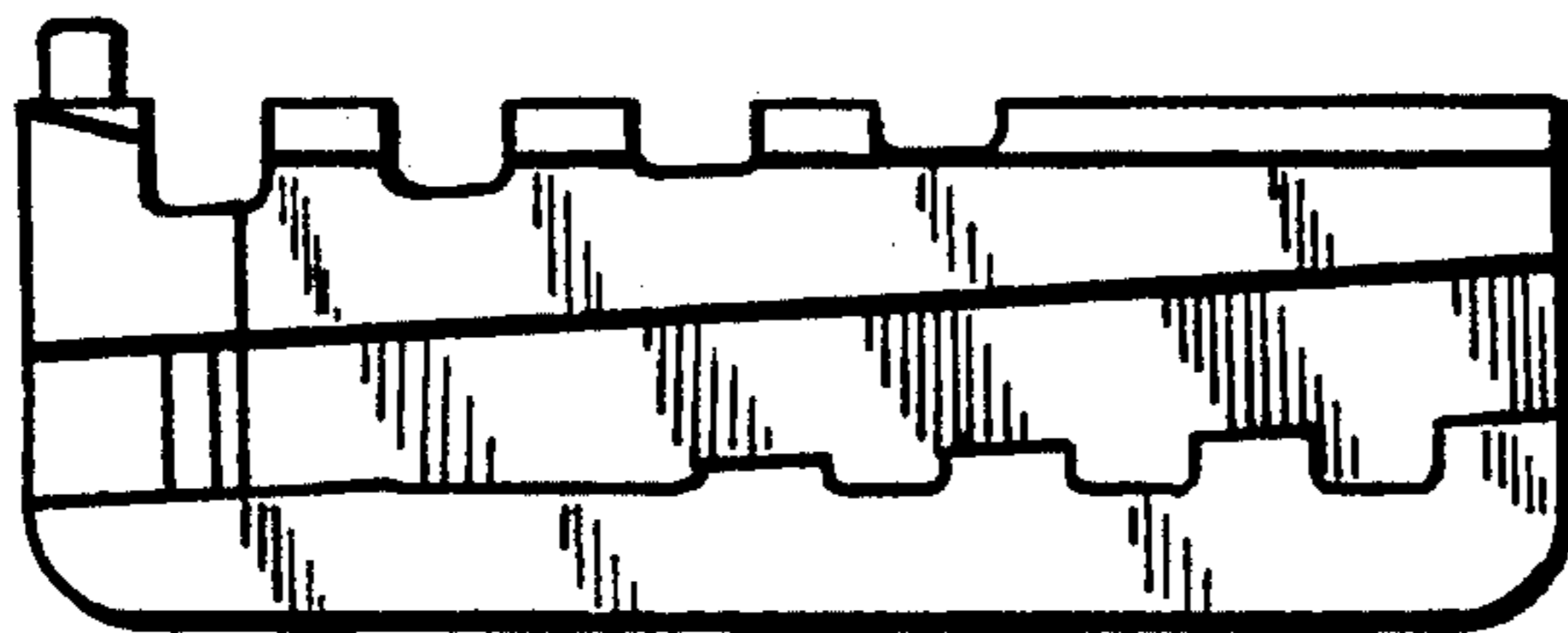
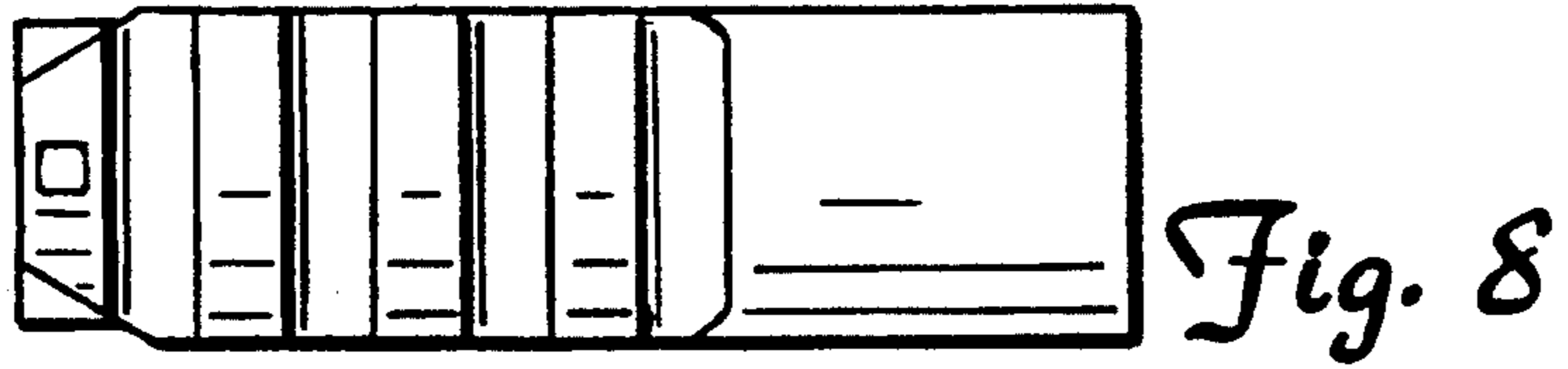


Fig. 9

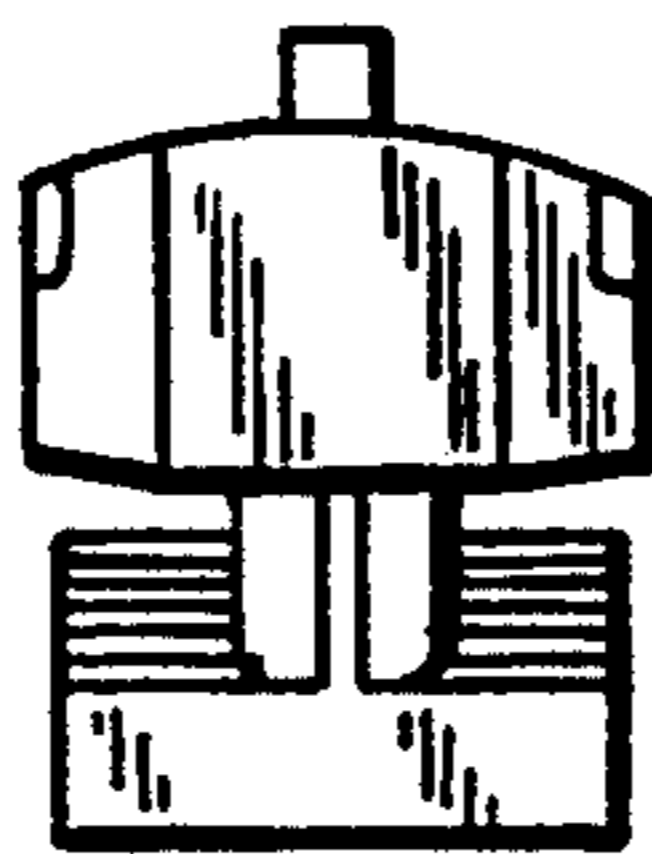


Fig. 10

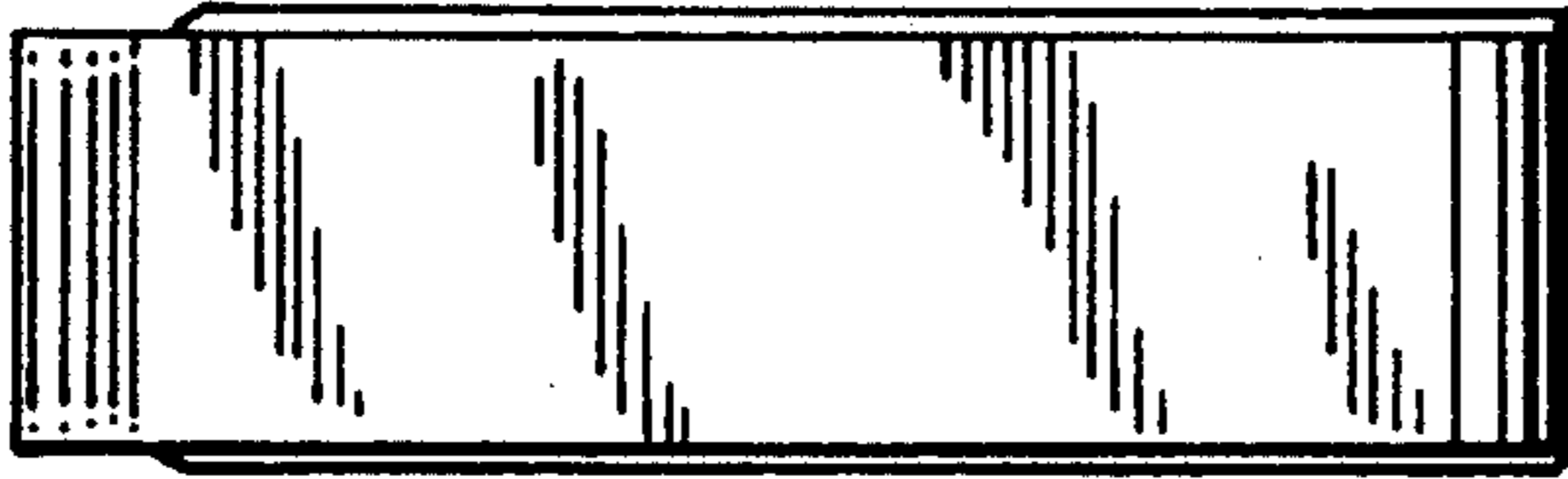


Fig. 12

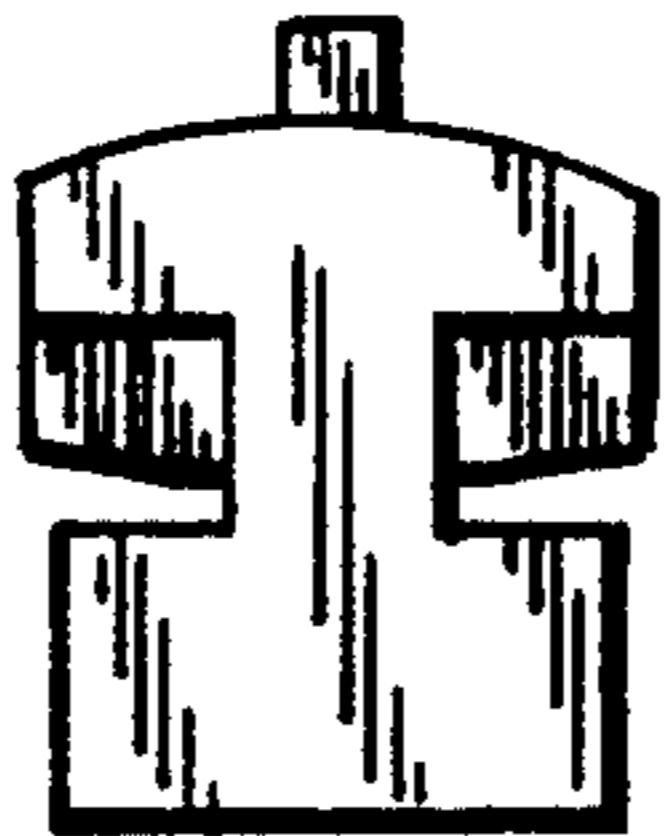


Fig. 11