



US00D329687S

United States Patent [19]

[11] Patent Number: **Des. 329,687**

Benson et al.

[45] Date of Patent: **** Sep. 22, 1992**

[54] **PIPE PLUG LOCK UNIT**

[75] Inventors: **Bryan R. Benson**, North Branch;
Allen D. Mathison, Richfield, both of
Minn.

[73] Assignee: **Cherne Industries Incorporated**,
Minneapolis, Minn.

[**] Term: **14 Years**

[21] Appl. No.: **538,177**

[22] Filed: **Jun. 14, 1990**

[52] U.S. Cl. **D23/249**

[58] Field of Search **D23/259-263;**
D8/336, 338; 138/89; 220/237, 311; 215/359

[56] **References Cited**

U.S. PATENT DOCUMENTS

D. 208,016	6/1967	Bullard	D23/249
D. 242,521	11/1976	Plympton	D8/339
D. 257,218	10/1980	Eriksson	D8/336
D. 283,246	4/1986	Jack	D23/249
D. 300,350	3/1989	Mathison	D23/260
D. 305,927	2/1990	Linderman et al.	D23/249
3,672,403	6/1972	Wilson et al.	138/89

4,370,919	2/1983	Wagner	138/89 X
4,415,005	11/1983	Janzen	138/89 X
4,614,206	9/1986	Mathison et al.	138/89 X
4,762,151	8/1988	Kinnan	138/89

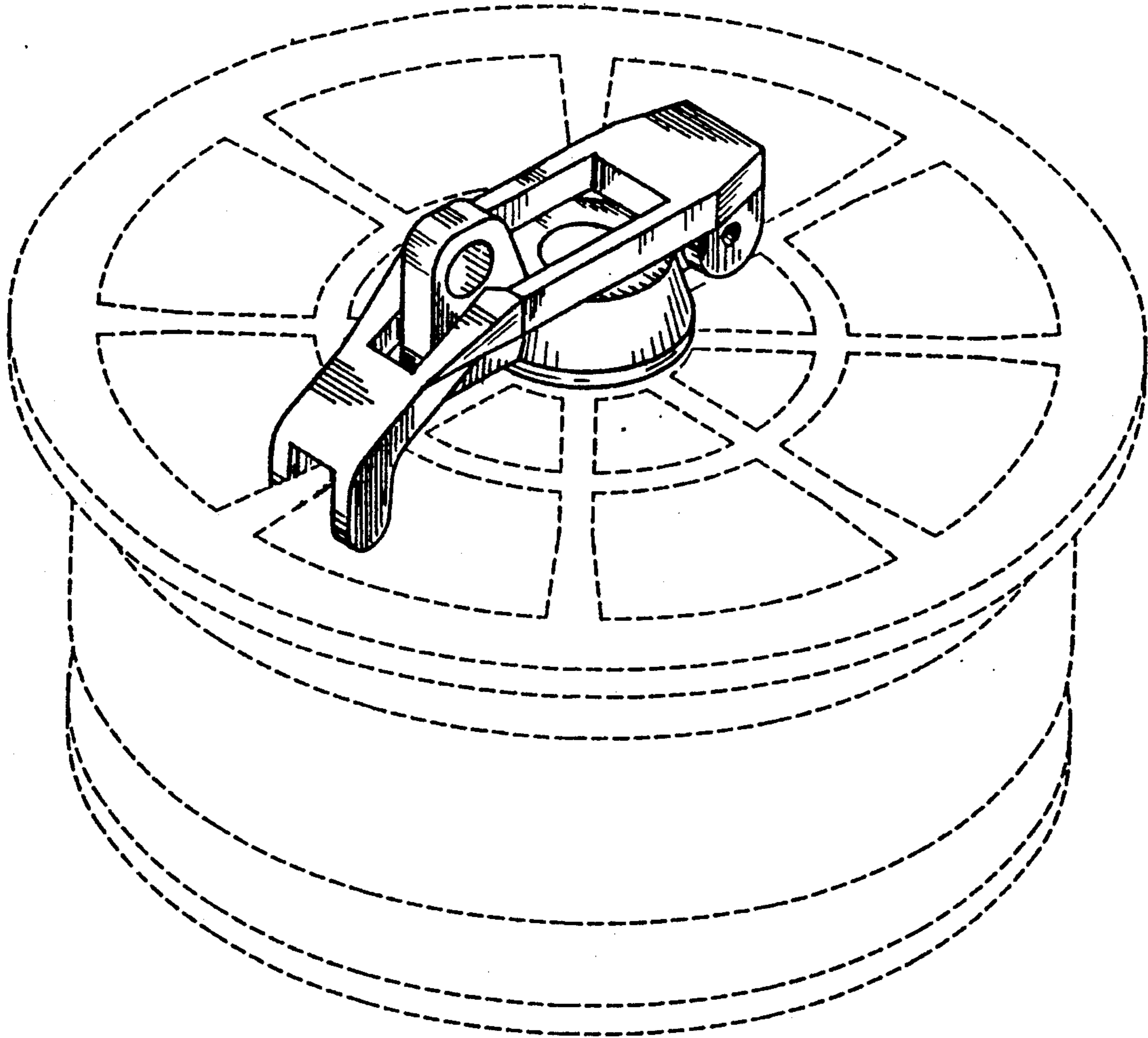
Primary Examiner—James R. Largen
Attorney, Agent, or Firm—Anthony G. Eggink

[57] **CLAIM**

The ornamental design for the pipe plug lock unit, as shown and described.

DESCRIPTION

FIG. 1 is a top perspective view of a pipe plug unit showing our new design;
FIG. 2 is a right side elevational view thereof, the left side being a mirror image of the right side;
FIG. 3 is a top plan view thereof;
FIG. 4 is another top perspective view thereof showing the unit in an open position;
FIG. 5 is a front elevational view thereof;
FIG. 6 is a rear elevation view thereof.
The broken line representation of a pipe plug in FIGS. 1, 2 and 4 and a lock in FIGS. 2 and 4 are for purposes of illustration only and forms no part of the claimed design.



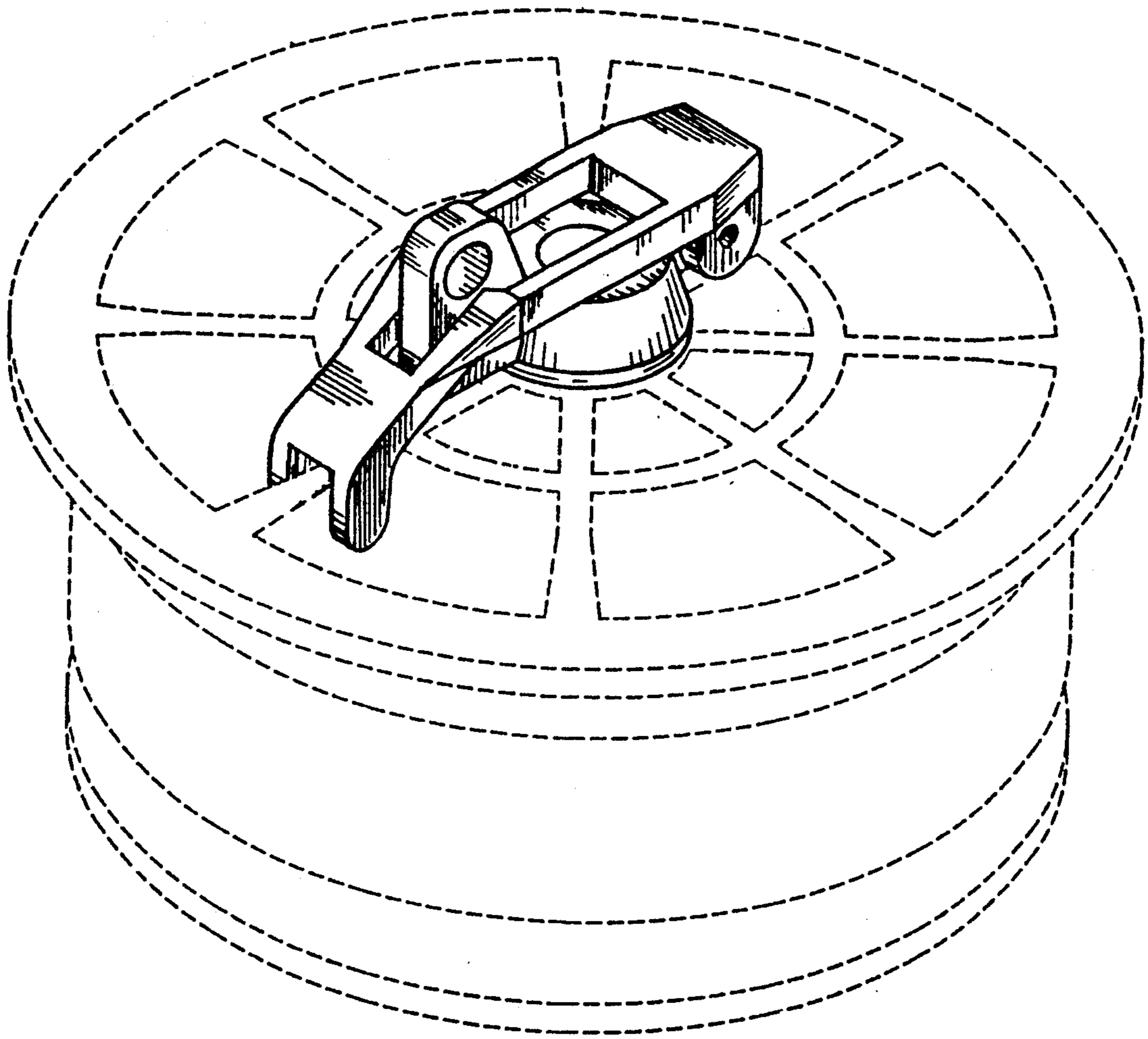


FIG. 1

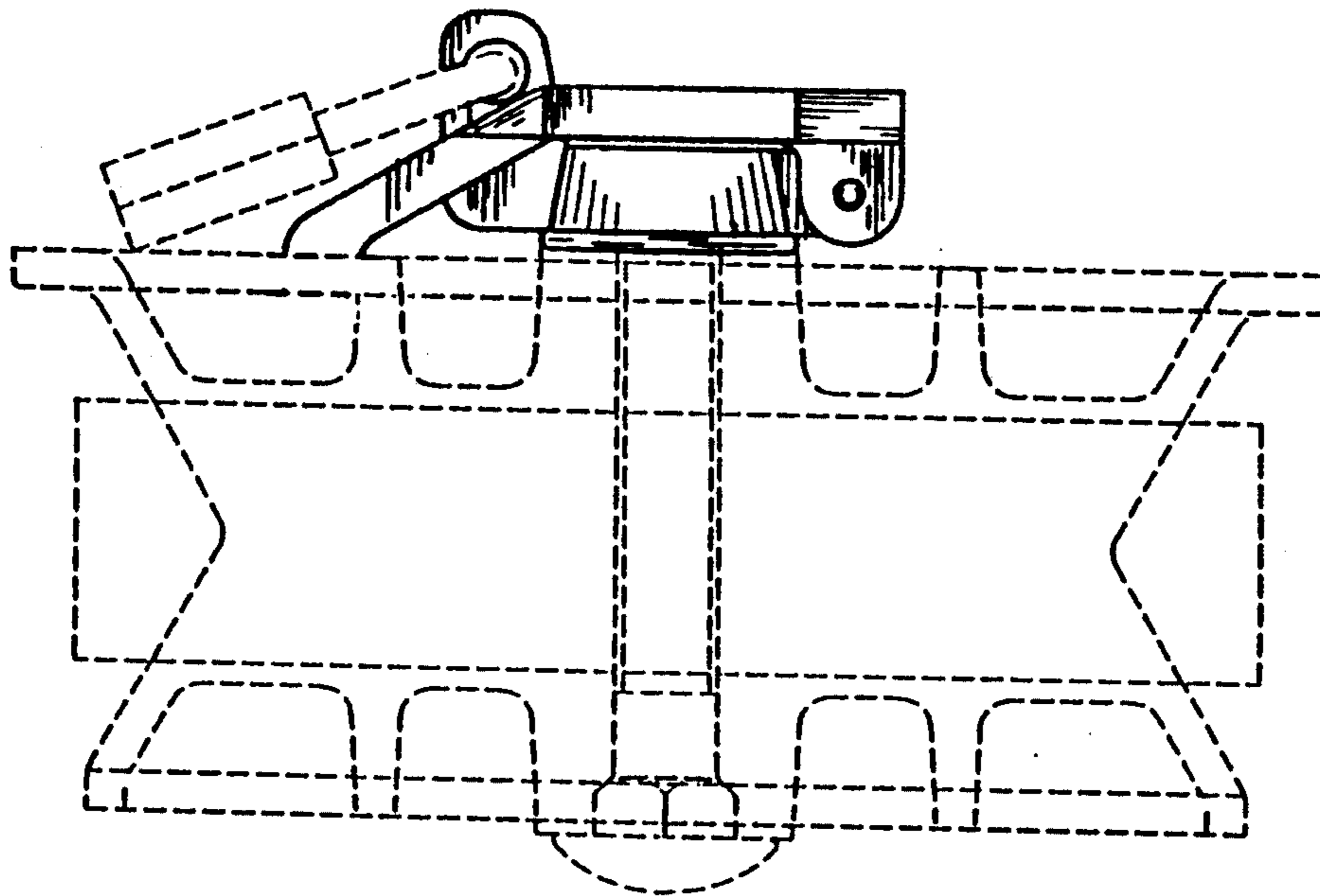


FIG. 2

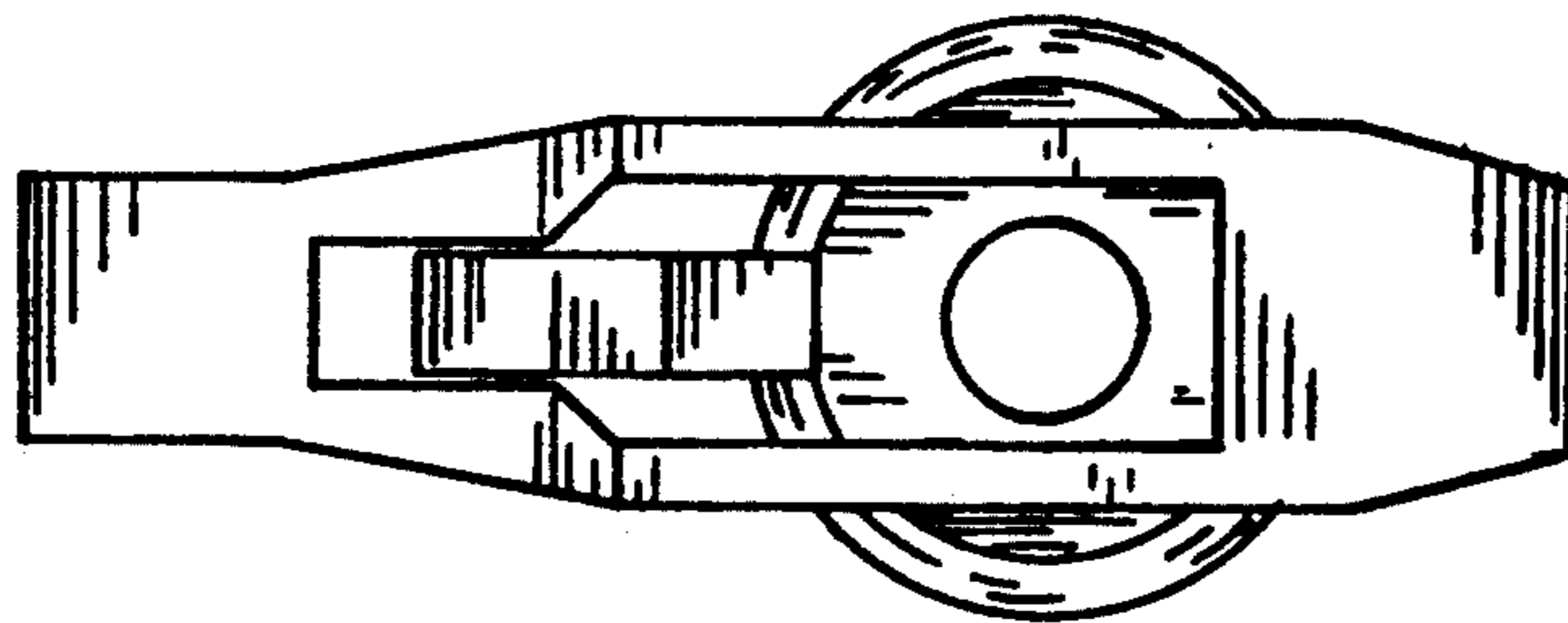
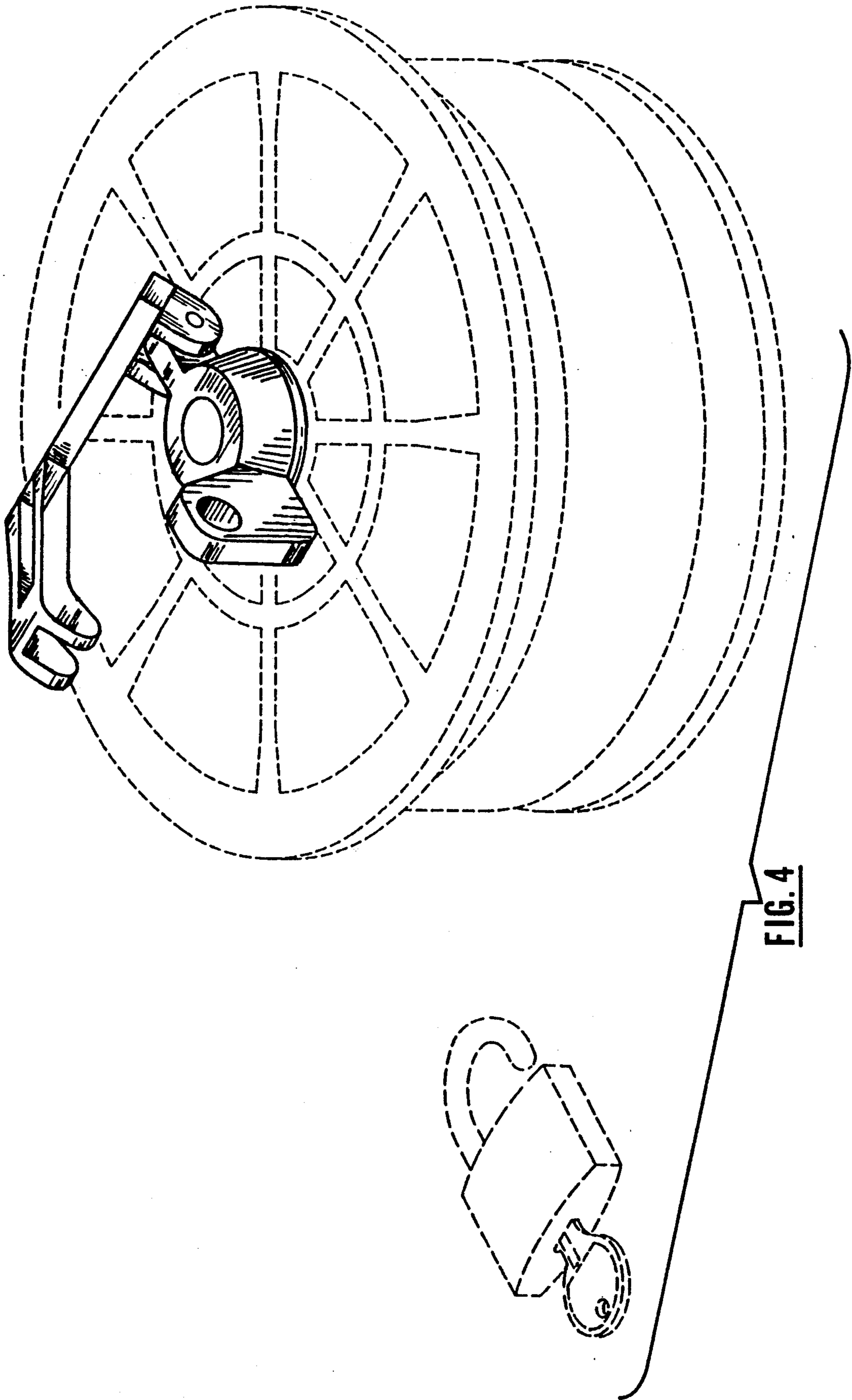


FIG. 3



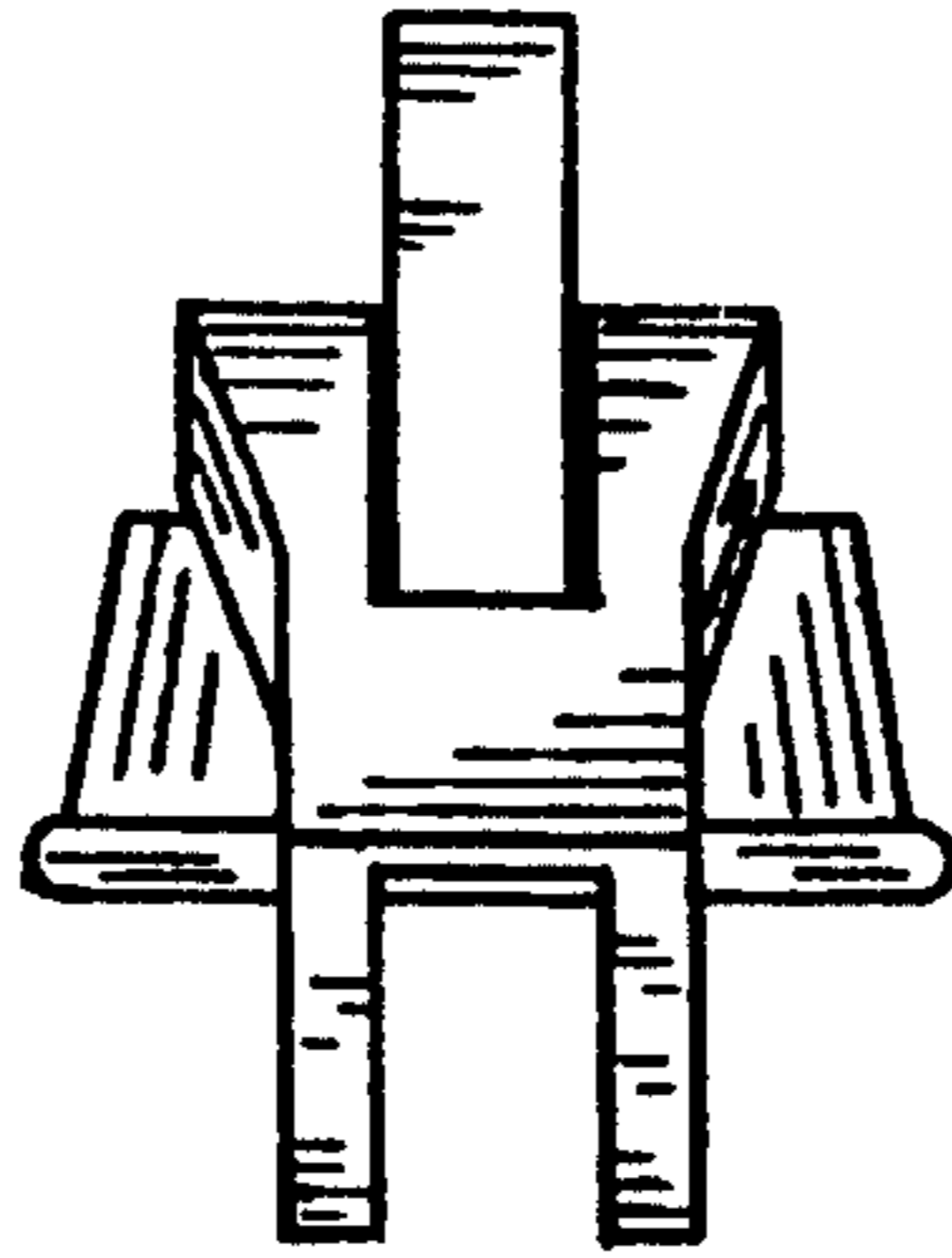


FIG. 5

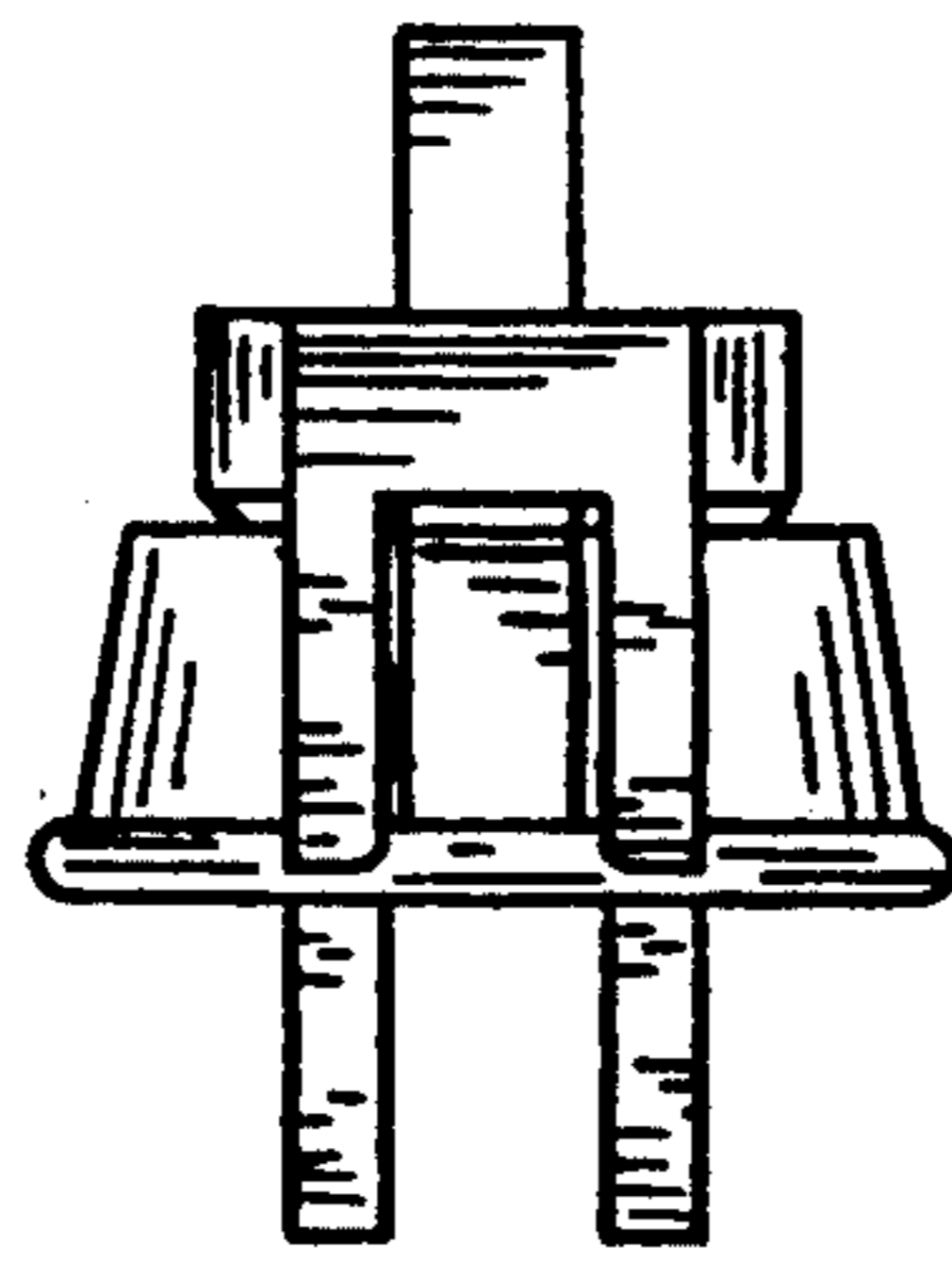


FIG. 6