



US00D329686S

United States Patent [19]

Mathison et al.

[11] Patent Number: **Des. 329,686**

[45] Date of Patent: **** Sep. 22, 1992**

[54] PIPE PLUG LATCH UNIT

4,762,151 8/1988 Kinnan 138/89

[75] Inventors: **Allen D. Mathison**, Richfield; **Bryan R. Benson**, North Branch, both of Minn.

[73] Assignee: **Cherne Industries Incorporated**, Minneapolis, Minn.

[**] Term: **14 Years**

[21] Appl. No.: **538,176**

[22] Filed: **Jun. 14, 1990**

[52] U.S. Cl. **D23/249**

[58] Field of Search **D23/259-263; D8/336, 338; 138/89; 220/237, 318; 215/359**

[56] **References Cited**

U.S. PATENT DOCUMENTS

D. 208,016	6/1967	Bullard	D23/249
D. 242,521	11/1976	Plympton	D8/339
D. 257,218	10/1980	Eriksson	D8/336
D. 283,246	4/1986	Jack	D23/249
D. 300,350	3/1989	Mathison	D23/260
D. 305,927	2/1990	Linderman et al.	D23/249
2,566,816	9/1951	Work	220/24.5
2,810,401	10/1957	Stansbury	138/89
3,672,403	6/1972	Wilson et al.	138/89
3,747,541	7/1973	Reese	109/50
4,073,168	2/1978	Takada	70/165
4,370,919	2/1983	Wagner	138/89 X
4,415,005	11/1983	Janzen	138/89 X
4,493,344	1/1985	Mathison et al.	138/89
4,614,206	9/1986	Mathison et al.	138/89 X

OTHER PUBLICATIONS

Morrison Bros Co, Dubuque IA, Monitoring Wall Specification Guide, Apr. 1989, pp. 1-3 and 6.

Chama Corp., IN, Monitor Wells product brochure, pp. 1-3, dated Jan. 1, 1989.

Crane Enterprises, Helena, MT, Locking Well Caps product brochure, 1986, pp. 1 and 2.

EBW, Inc., Muskegon, MI, Well Cap Plugs Advertisement, Feb. 1990/WWJ, p. 1.

Primary Examiner—James R. Largen

Attorney, Agent, or Firm—Anthony G. Eggink

[57] CLAIM

The ornamental design for the pipe plug latch unit, as shown and described.

DESCRIPTION

FIG. 1 is a top perspective view of a pipe plug latch unit showing our new design;

FIG. 2 is a right side elevational view thereof, the left side being a mirror image of the right side;

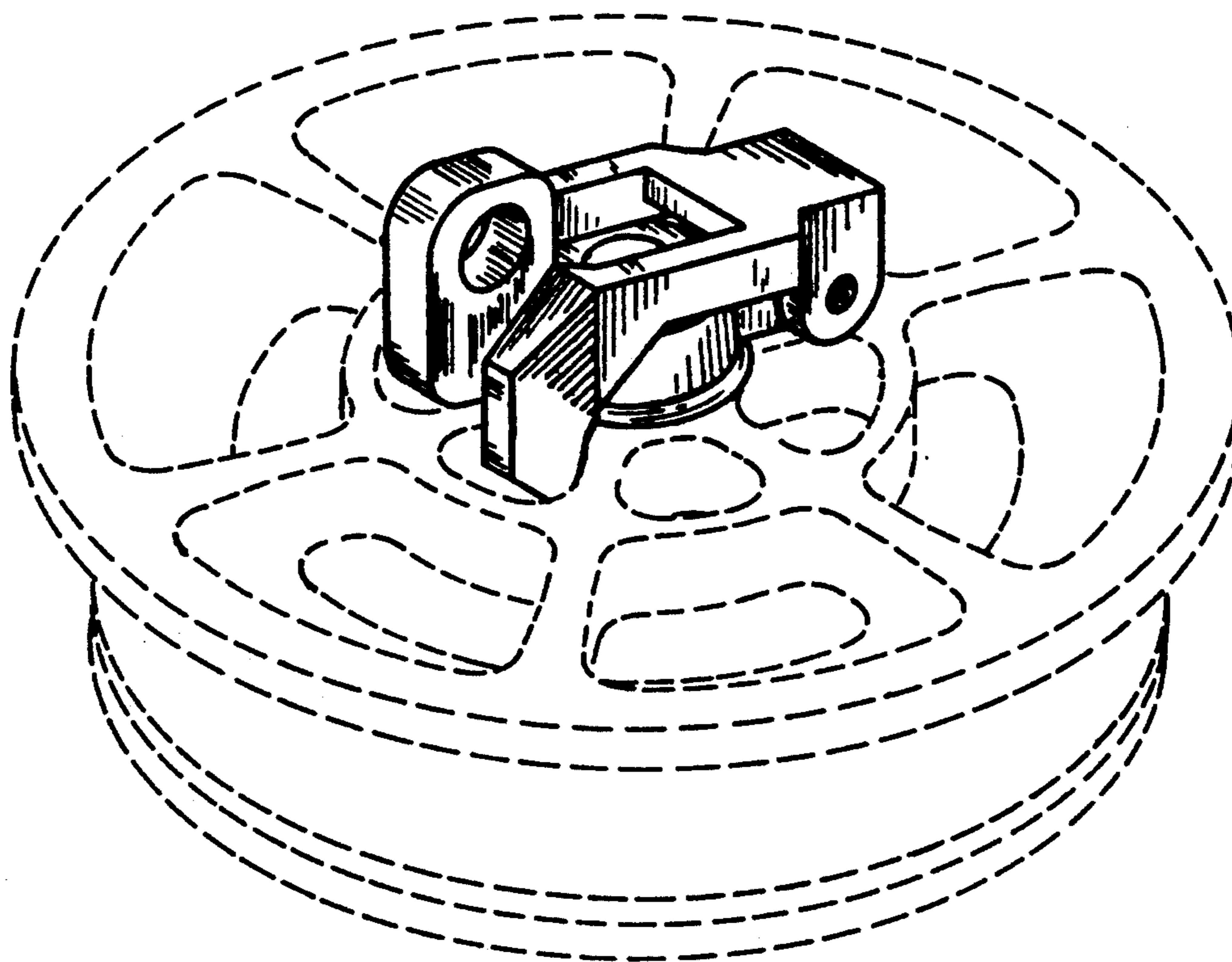
FIG. 3 is a top plan view thereof;

FIG. 4 is another top perspective view thereof showing the unit in an open position;

FIG. 5 is a front elevational view thereof; and,

FIG. 6 is a rear elevation view thereof.

The broken line representation of a pipe plug in FIGS. 1, 2 and 4 and a lock in FIGS. 2 and 4 are for purposes of illustration only and form no part of the claimed design.



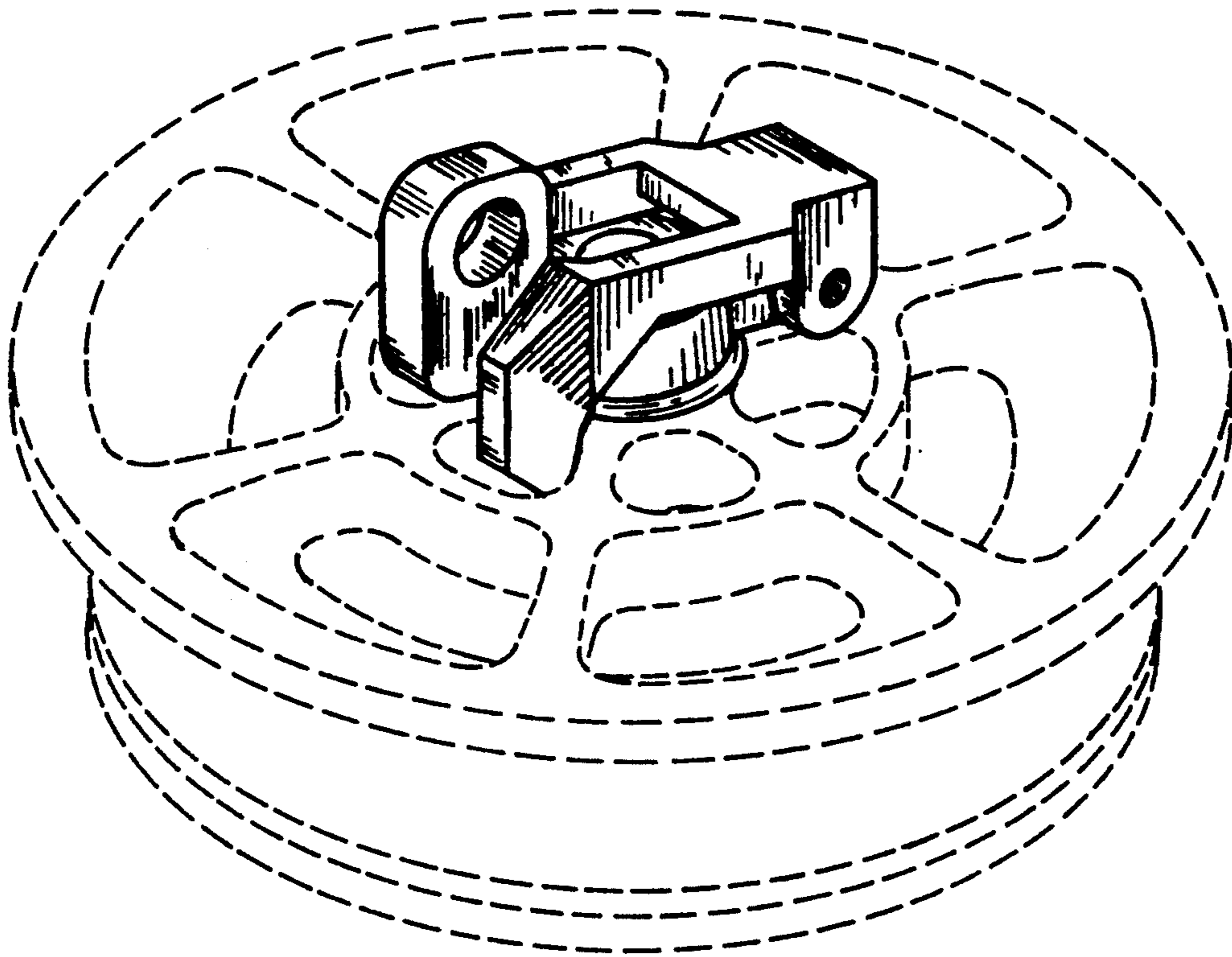


FIG. 1

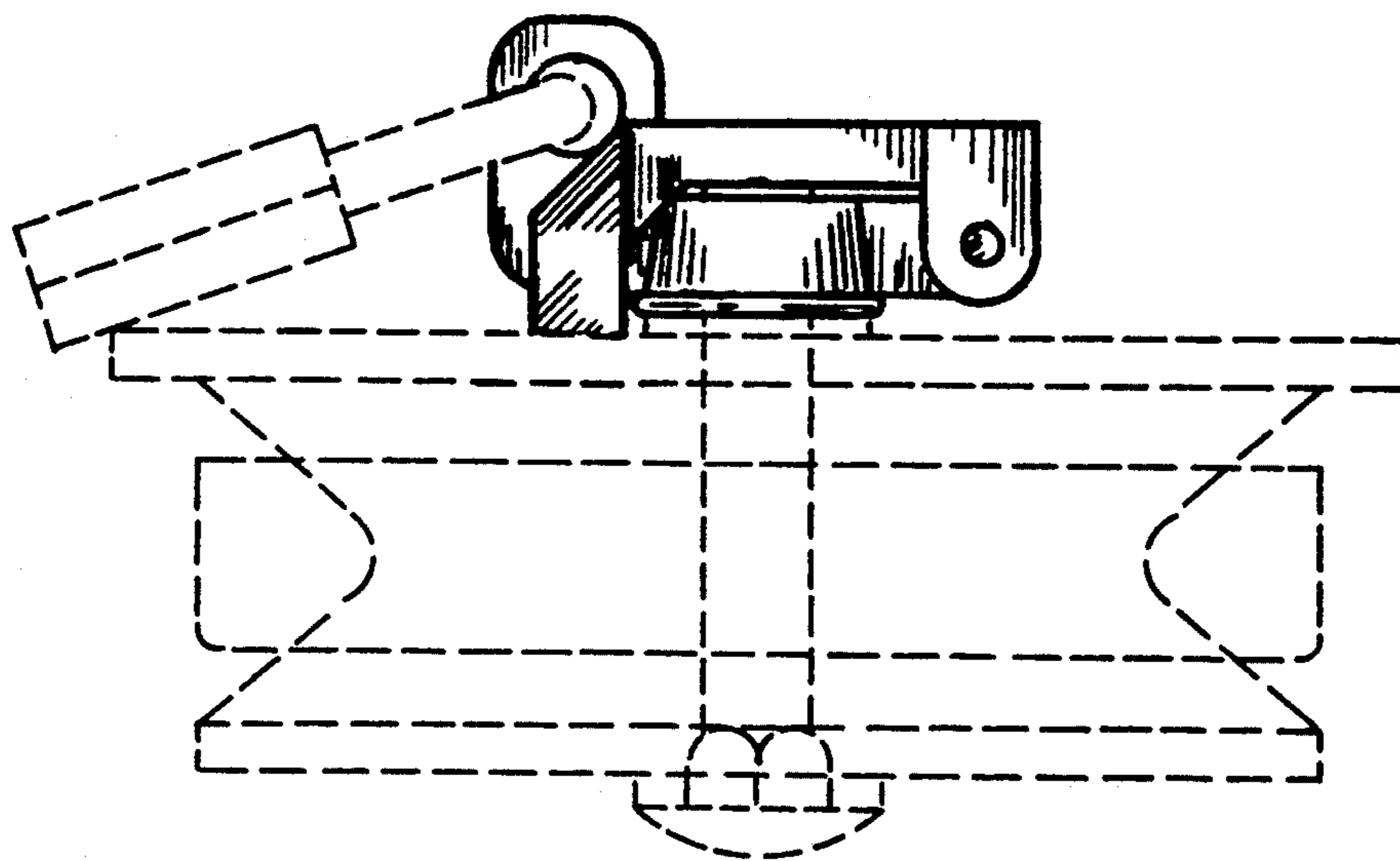


FIG. 2

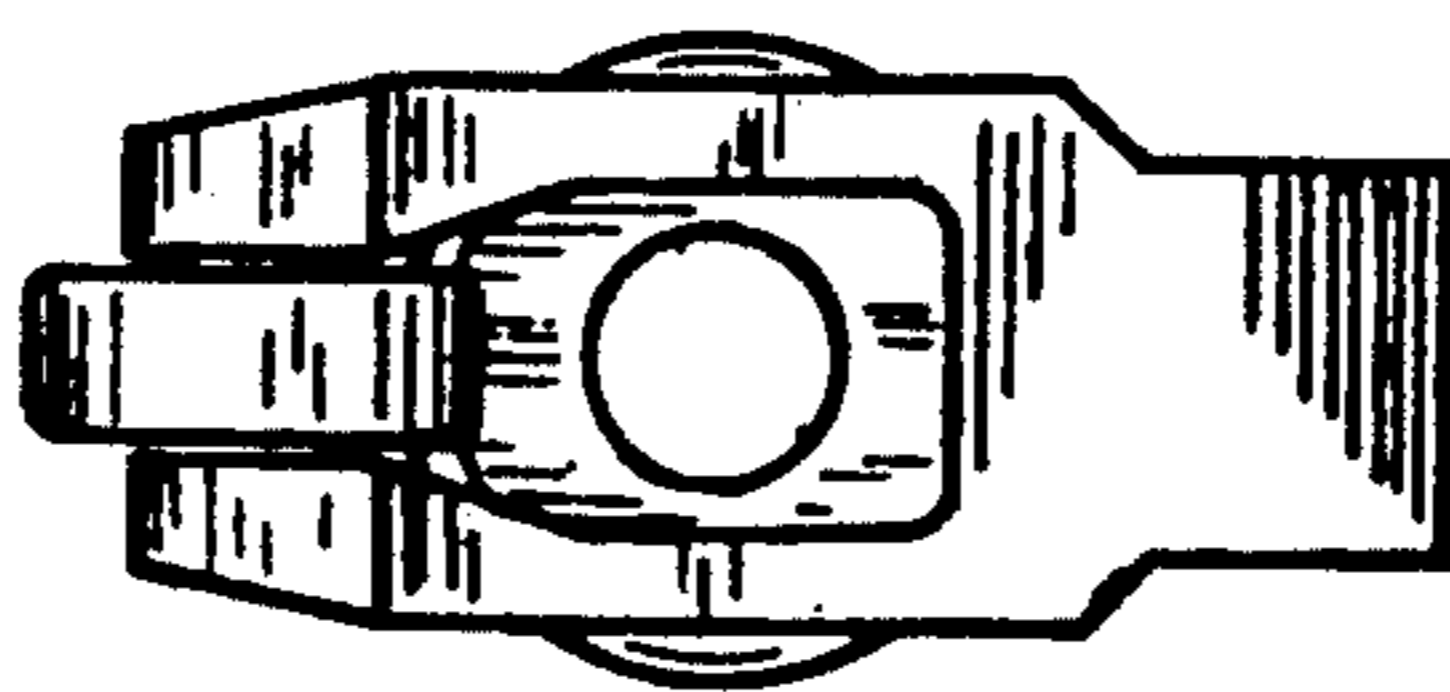


FIG. 3

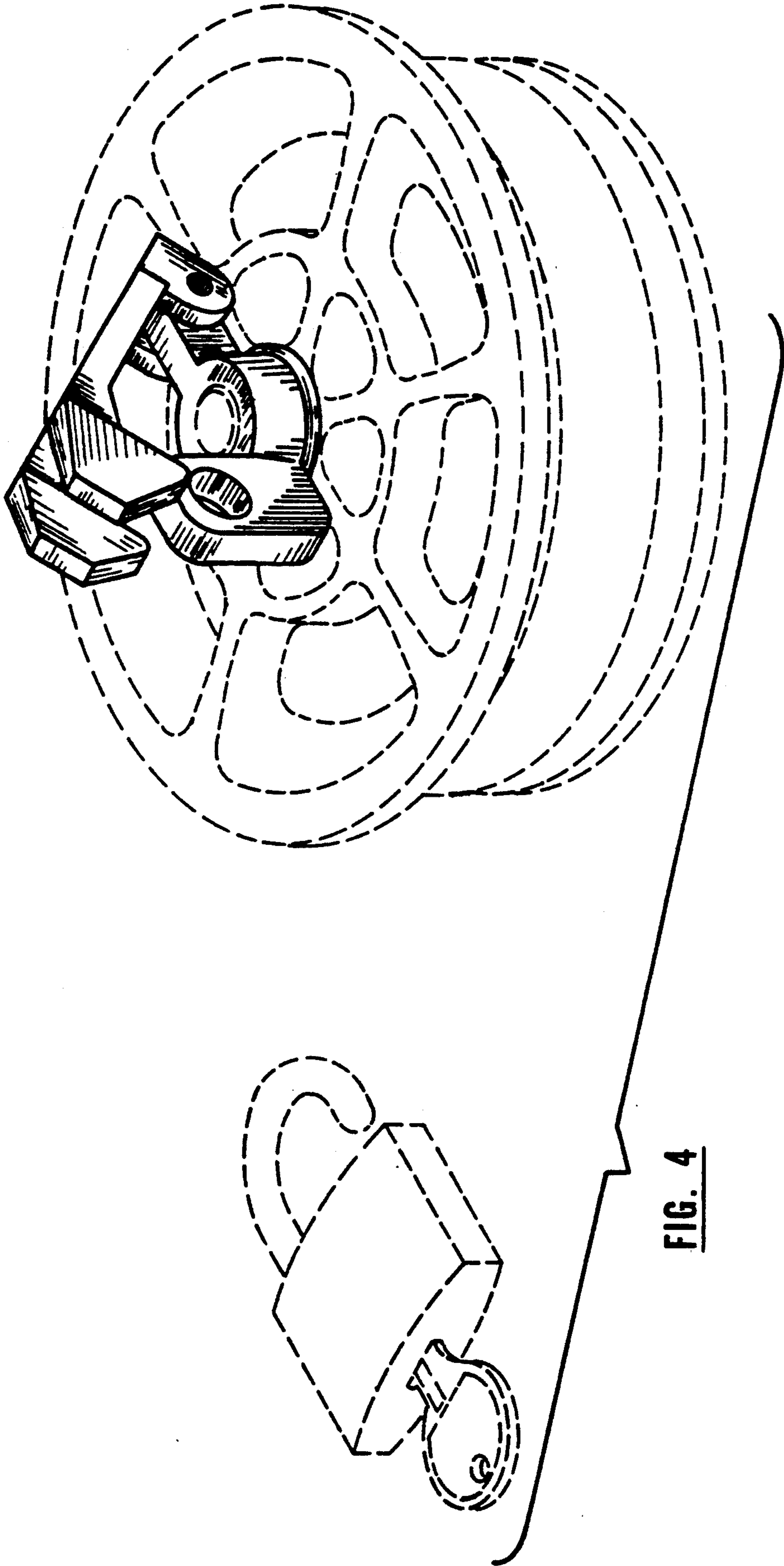


FIG. 4

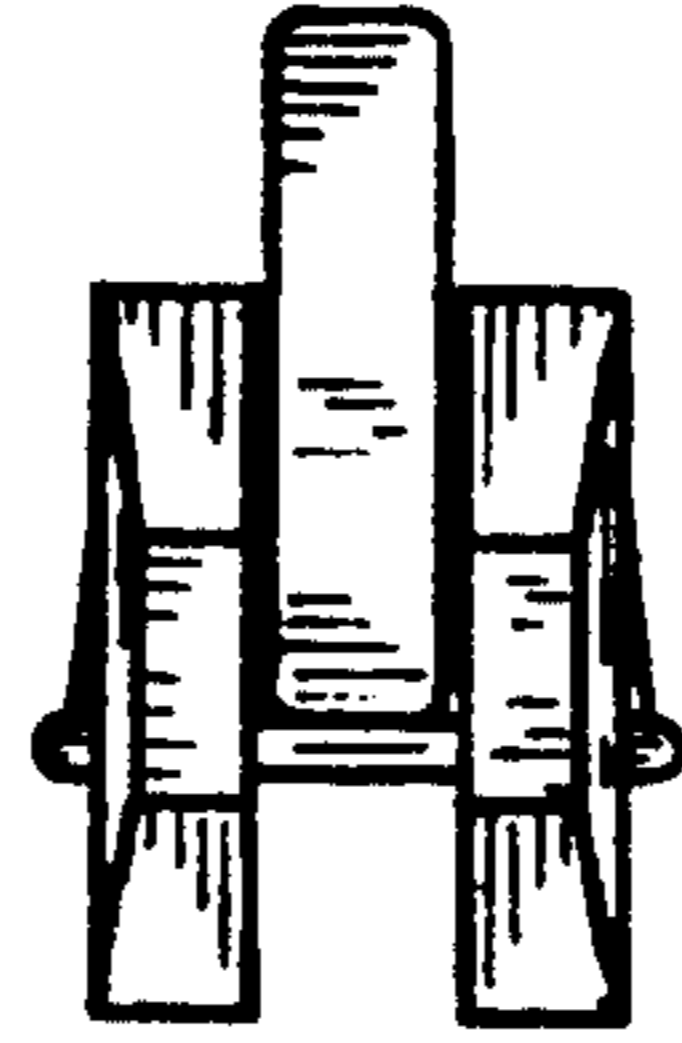


FIG. 5

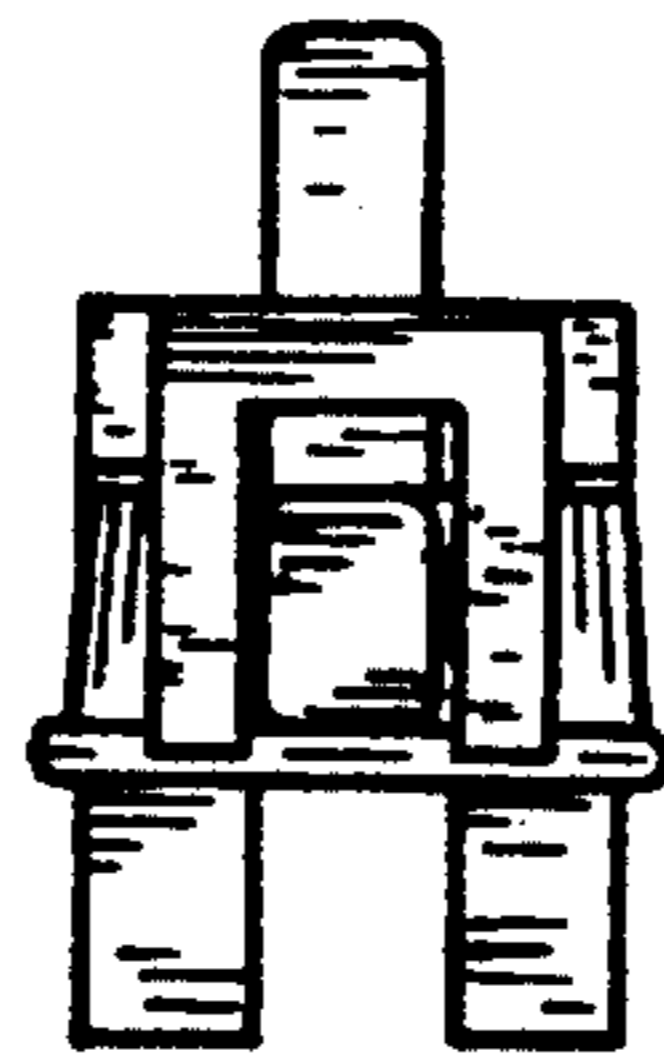


FIG. 6