



US00D329685S

United States Patent [19]

[11] Patent Number: **Des. 329,685**

Brattoli et al.

[45] Date of Patent: **** Sep. 22, 1992**

[54] **FAUCET BODY**

[75] Inventors: **Michael A. Brattoli, Elyria; Kevin W. Rosenbaum, Parma, both of Ohio**

[73] Assignee: **Moen Incorporated, Elyria, Ohio**

[**] Term: **14 Years**

[21] Appl. No.: **568,696**

[22] Filed: **Aug. 17, 1990**

[52] U.S. Cl. **D23/238**

[58] Field of Search **D23/238-243, D23/255-257; 4/191, 192; 137/801**

Domestic Engineering, Sep. 1968, p. 36, top right item. Delta Faucet Company, Form D-275, ©1976, p. 8, Model 522.

Domestic Engineering, May 1988, p. 74.

Domestic Engineering, Feb. 1990, p. 16, item at top of page.

Primary Examiner—James R. Largen
Attorney, Agent, or Firm—Kinzer, Plyer, Dorn, McEachran & Jambor

[57] **CLAIM**

The ornamental design for a faucet body, as shown and described.

[56] **References Cited**

U.S. PATENT DOCUMENTS

D. 193,757	10/1962	Armstrong	D23/238
D. 193,922	10/1962	Ross et al.	D23/238
D. 200,754	3/1965	Landell	D23/238
D. 204,441	4/1966	Harvey et al.	D23/238
D. 219,780	1/1971	Niemann	D23/238
D. 258,518	3/1981	Thevenot	D23/238
D. 310,257	8/1990	Spangler	D23/238
D. 323,549	1/1992	Haug et al.	D23/238
D. 323,877	2/1992	Haug et al.	D23/238

OTHER PUBLICATIONS

Domestic Engineering, Jun. 1961, p. 164, bottom center item.

DESCRIPTION

FIG. 1 is a left side elevational view of a faucet body showing our new design, the right side being a mirror image of the left side;

FIG. 2 is a front elevational view thereof;

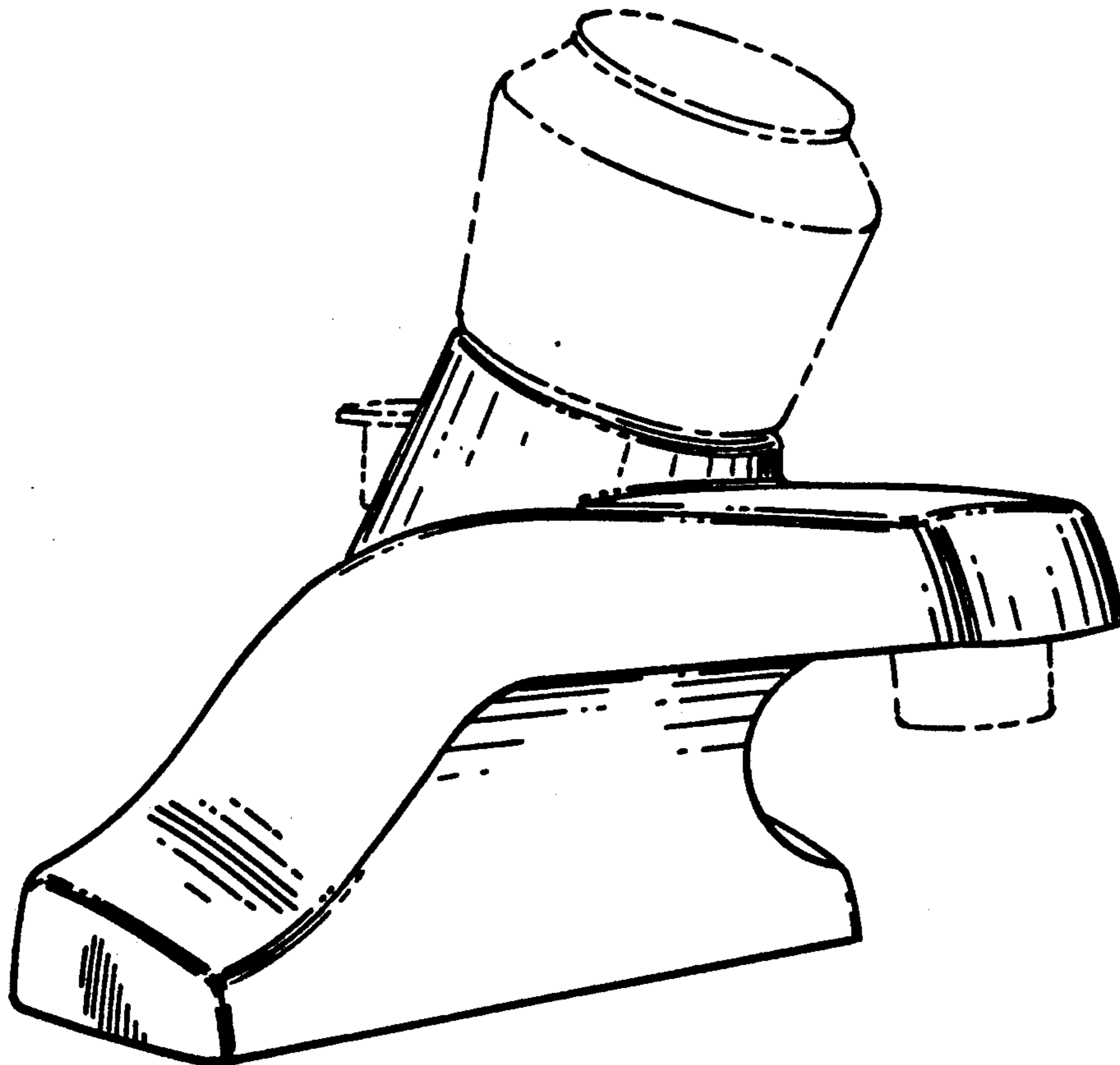
FIG. 3 is a top plan view thereof;

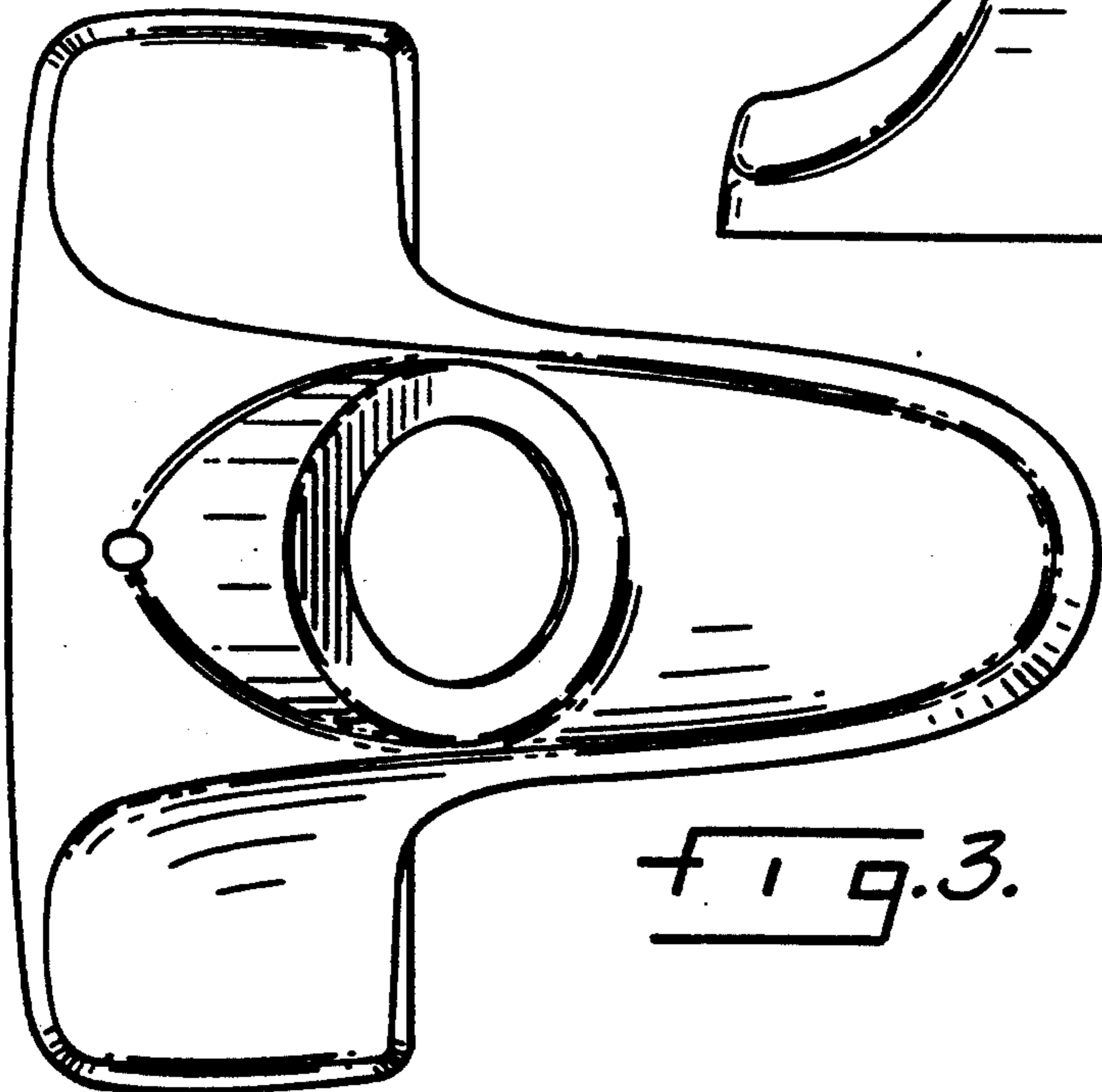
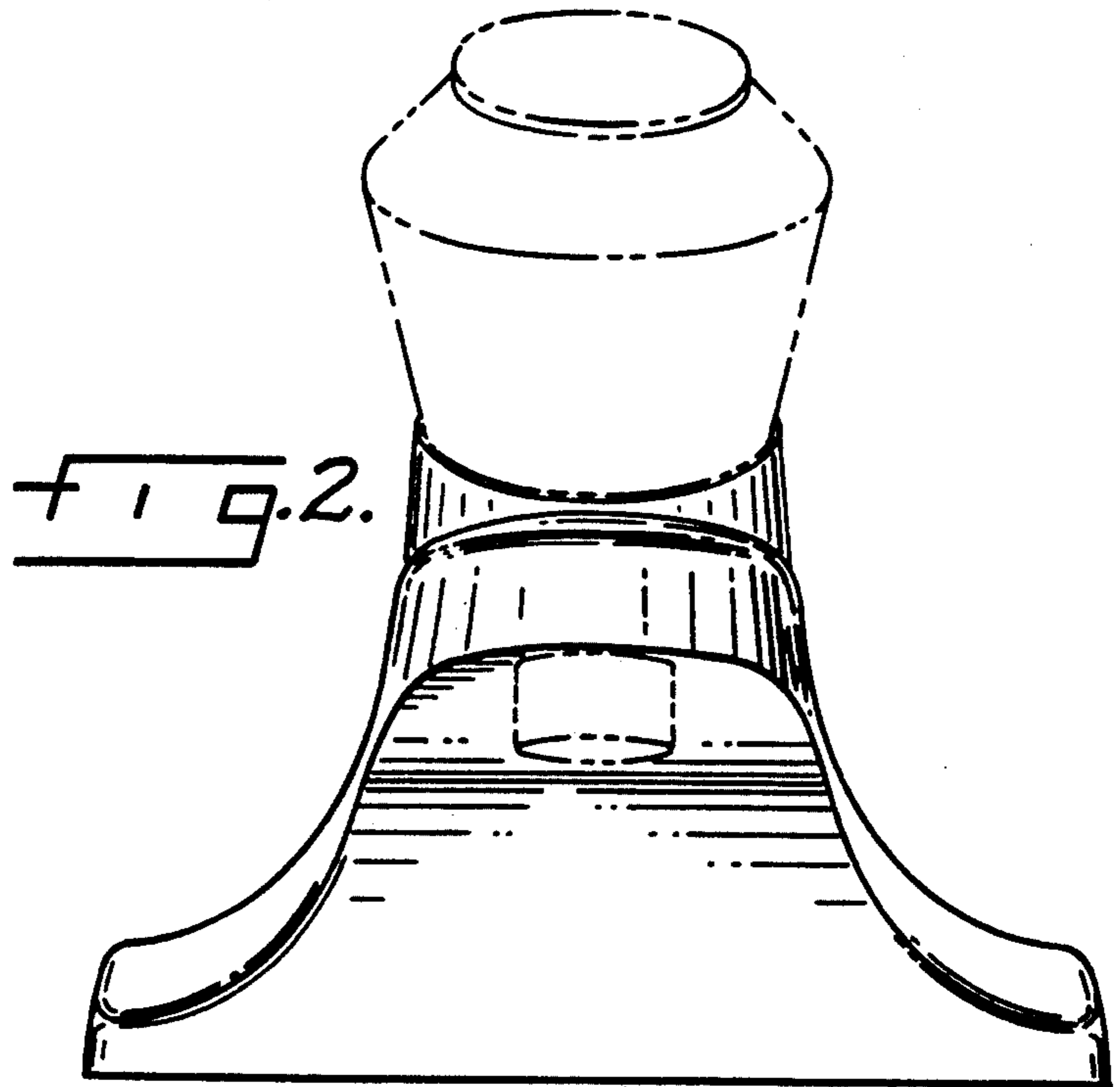
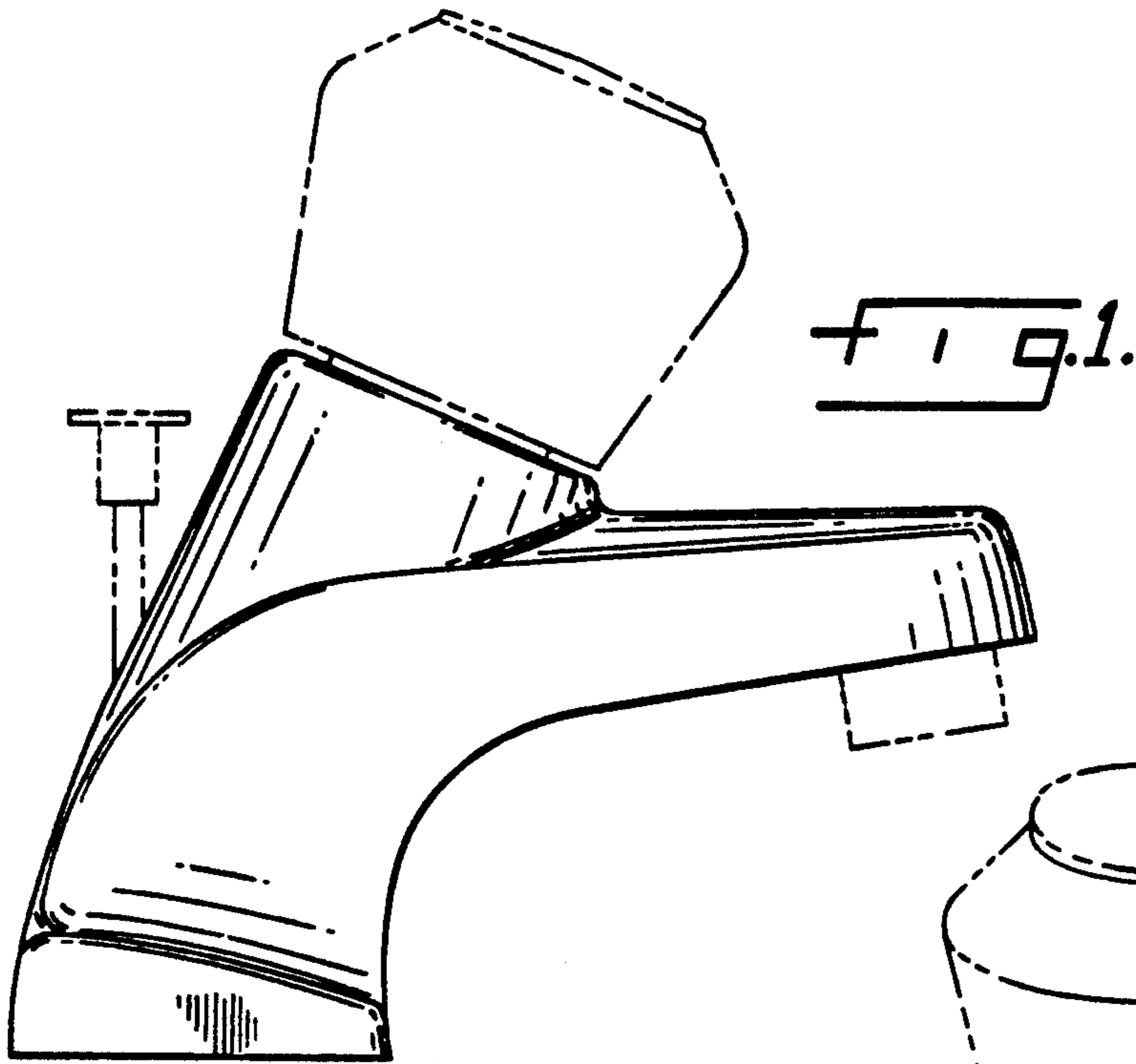
FIG. 4 is a bottom plan view thereof;

FIG. 5 is a rear elevational view thereof; and,

FIG. 6 is a perspective view taken from the top and left side thereof.

The broken line representations of water control knob in FIGS. 1, 2, 5 and 6, of an aerator in FIGS. 1, 2, 4 and 6 and of a drain control rod in FIGS. 1, 5 and 6 are for purposes of illustration only and form no part of the claimed design.





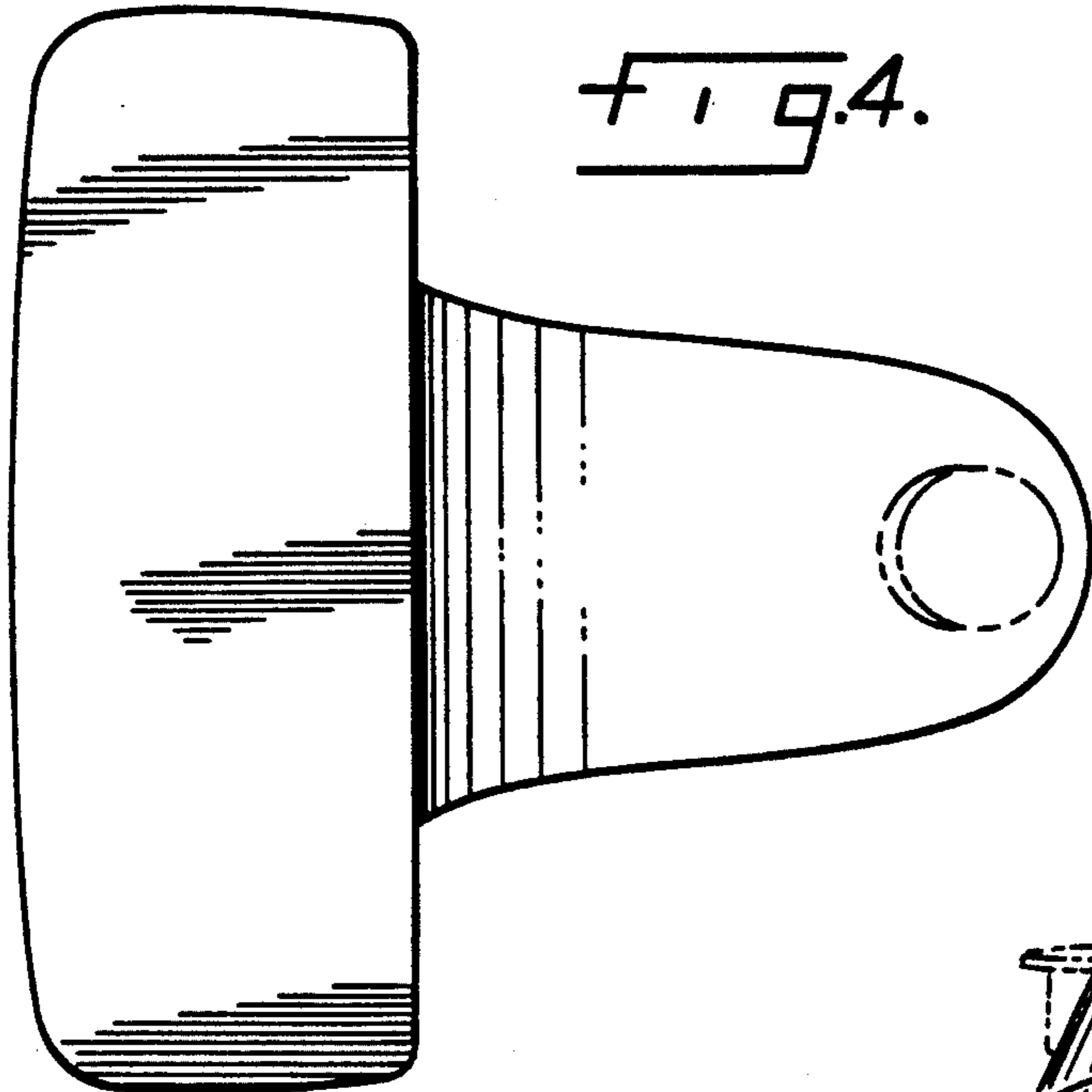


FIG. 4.

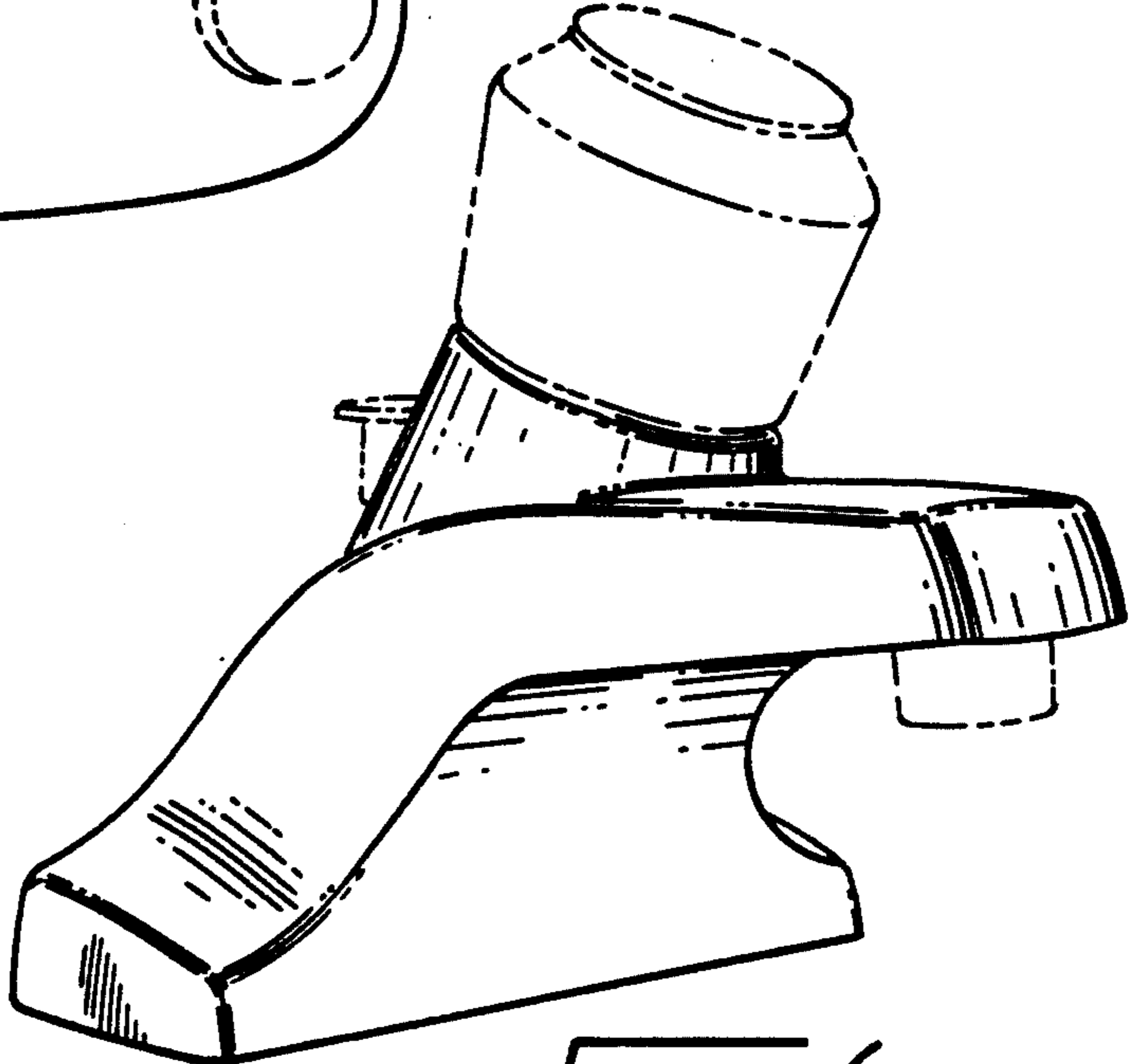


FIG. 6.

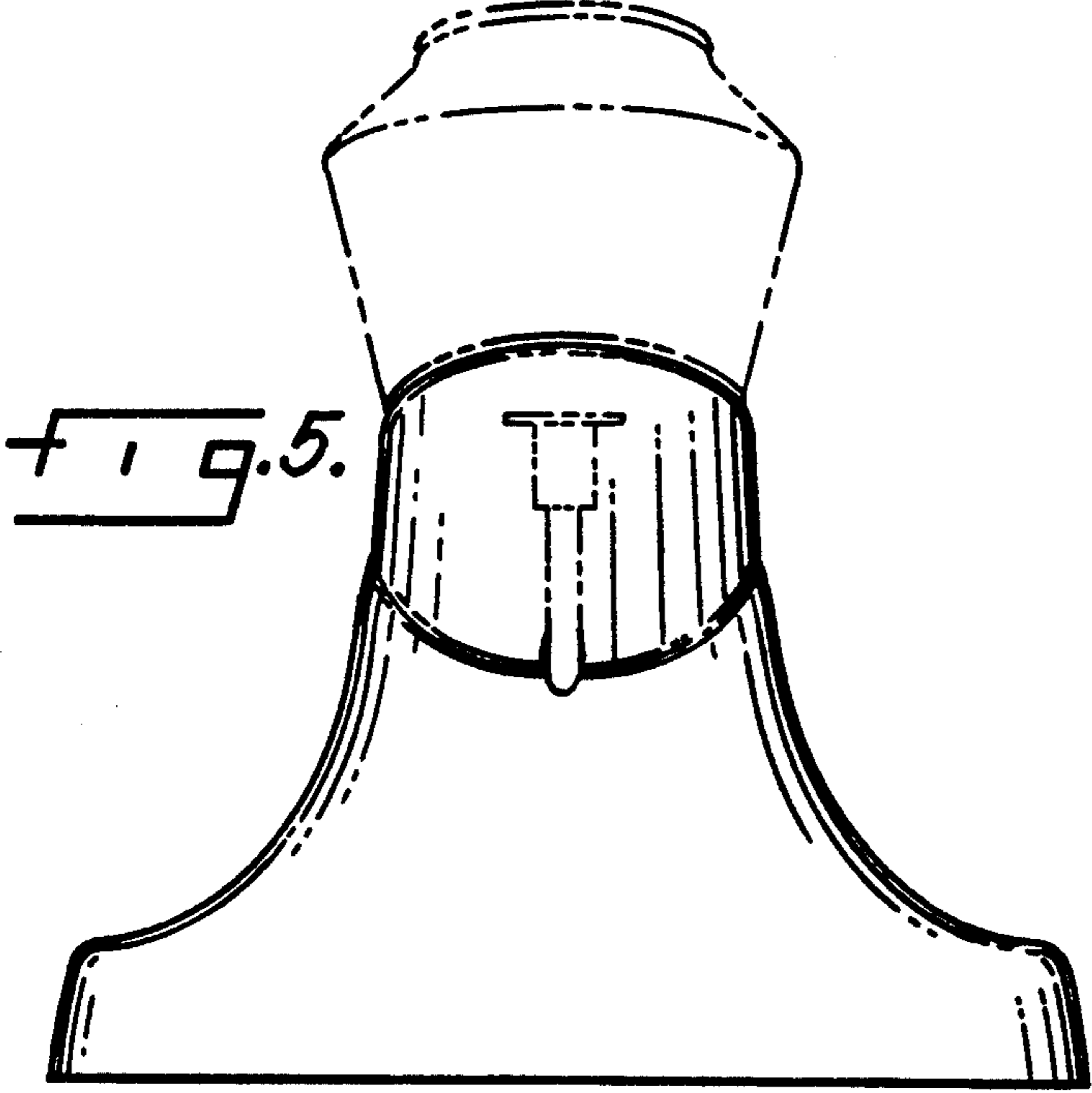


FIG. 5.