



US00D329672S

United States Patent [19]

Shieh

[11] Patent Number: **Des. 329,672**

[45] Date of Patent: **** Sep. 22, 1992**

[54] **EXERCISER**

[76] Inventor: **Wen-Shyong Shieh**, No. 581-1, Sec. 4, Chang-Shui Rd., Pi-Tou Hsiang, Changhwa Hsien, Taiwan

[**] Term: **14 Years**

[21] Appl. No.: **641,077**

[22] Filed: **Jan. 14, 1991**

[52] U.S. Cl. **D21/195**

[58] Field of Search **D21/191, 195; 482/92, 482/93, 94, 97, 98, 123**

[56] **References Cited**

U.S. PATENT DOCUMENTS

D. 230,613	3/1974	Coker	D21/195
D. 262,811	1/1982	Lambert, Jr. et al.	D21/195
D. 288,224	2/1987	Rockwell	D21/195
D. 289,784	5/1987	Carey et al.	D21/195

4,634,127	1/1987	Rockwell	482/98
4,915,377	4/1990	Malnke et al.	482/98

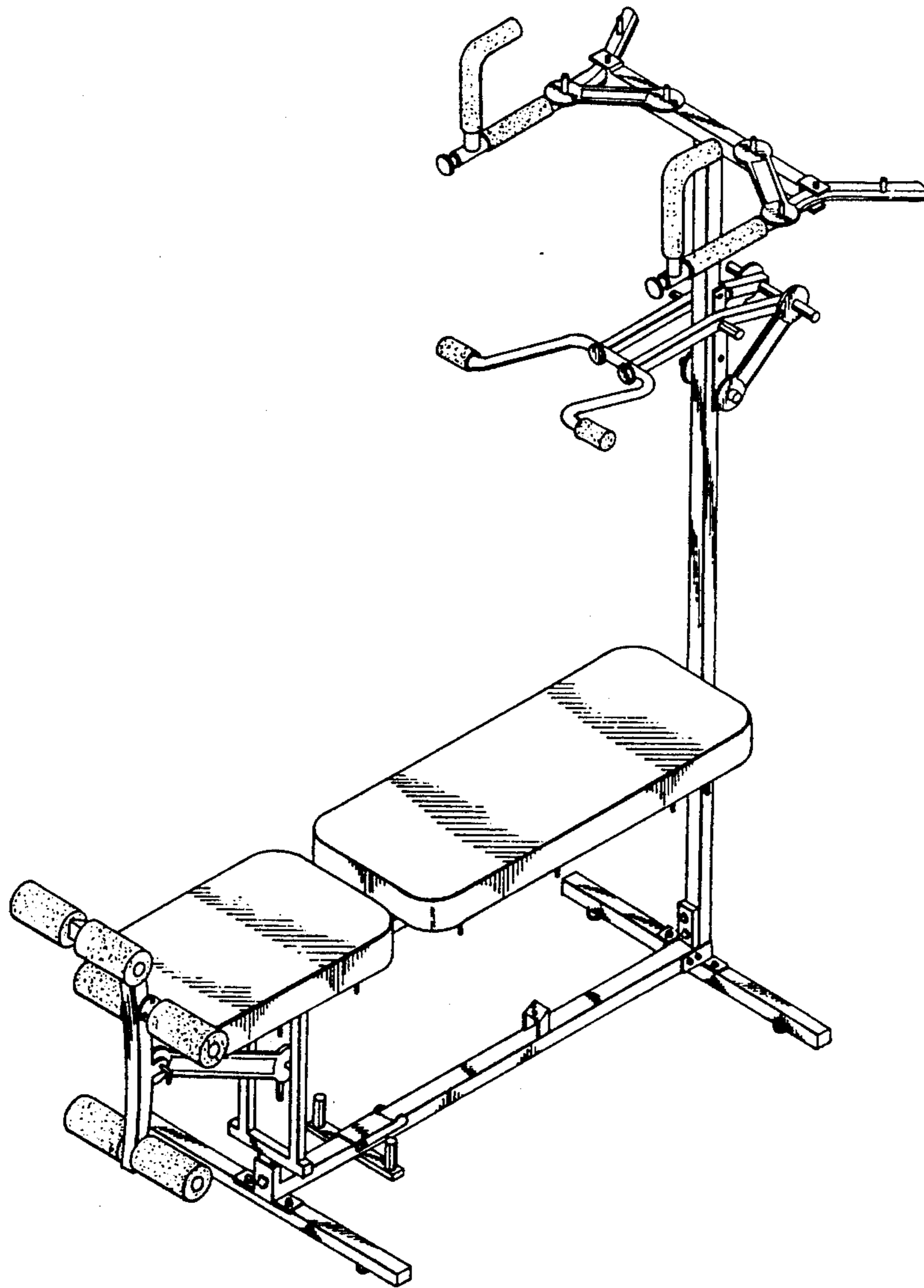
Primary Examiner—Bernard Ansher
Assistant Examiner—Philip Hyder
Attorney, Agent, or Firm—Marshall & Melhorn

[57] **CLAIM**

The ornamental design for exerciser, as shown and described.

DESCRIPTION

FIG. 1 is a perspective view of exerciser showing my new design;
FIG. 2 is a right side elevational view thereof;
FIG. 3 is a left side elevational view thereof;
FIG. 4 is a front elevational view thereof;
FIG. 5 is a rear elevational view thereof;
FIG. 6 is a top plan view thereof; and,
FIG. 7 is a bottom plan view thereof.



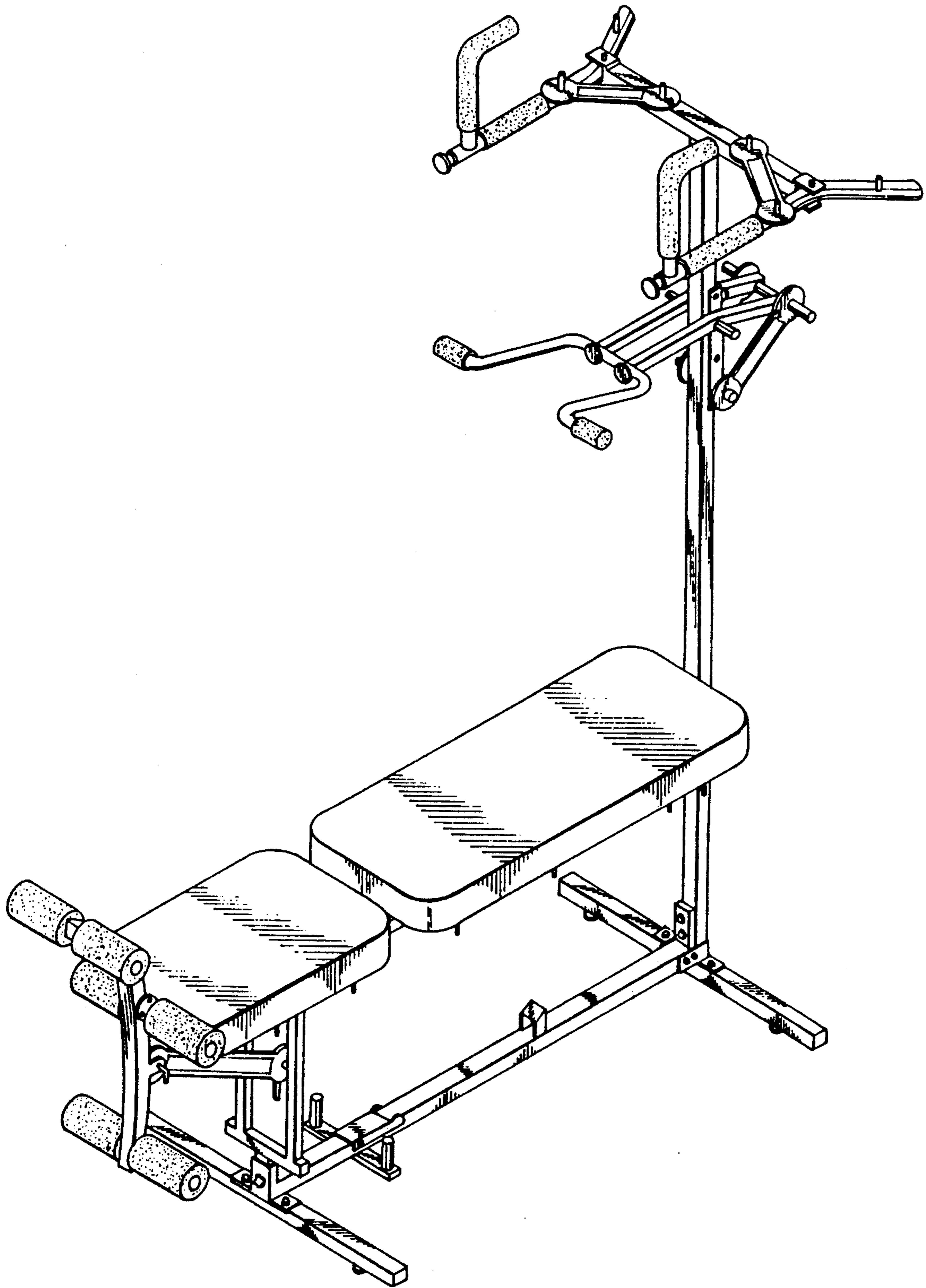


FIG. 1

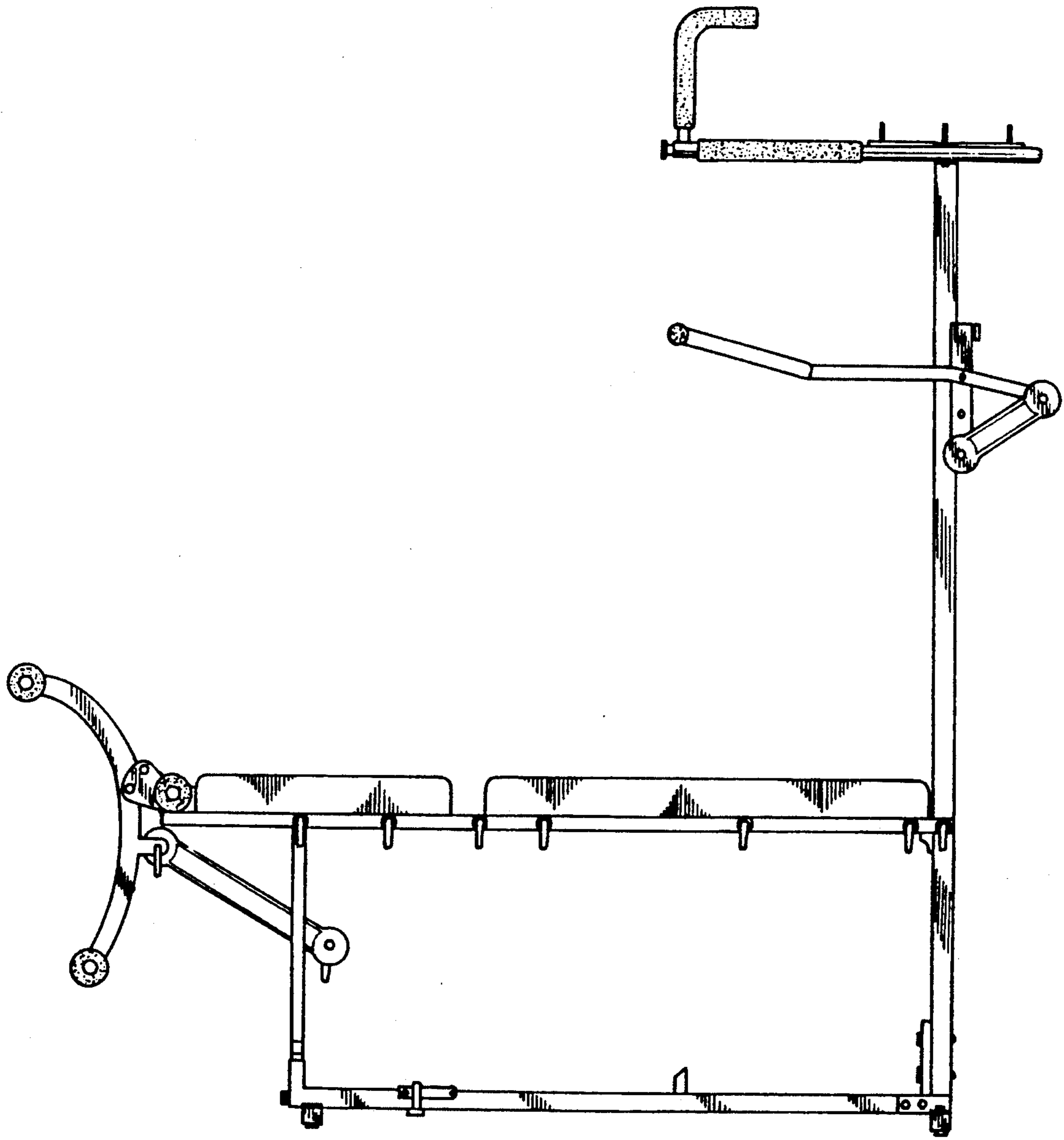


FIG. 2

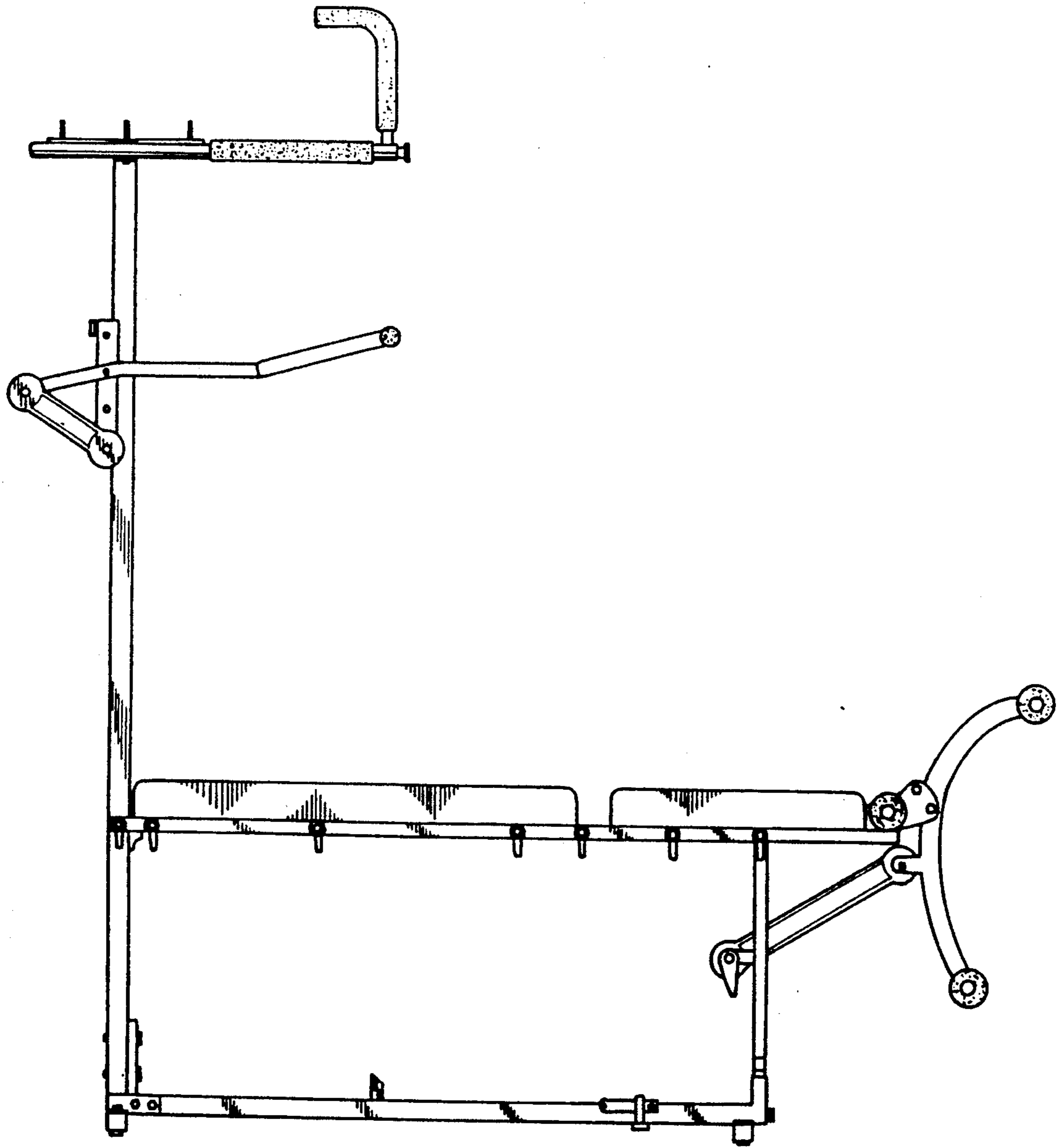


FIG. 3

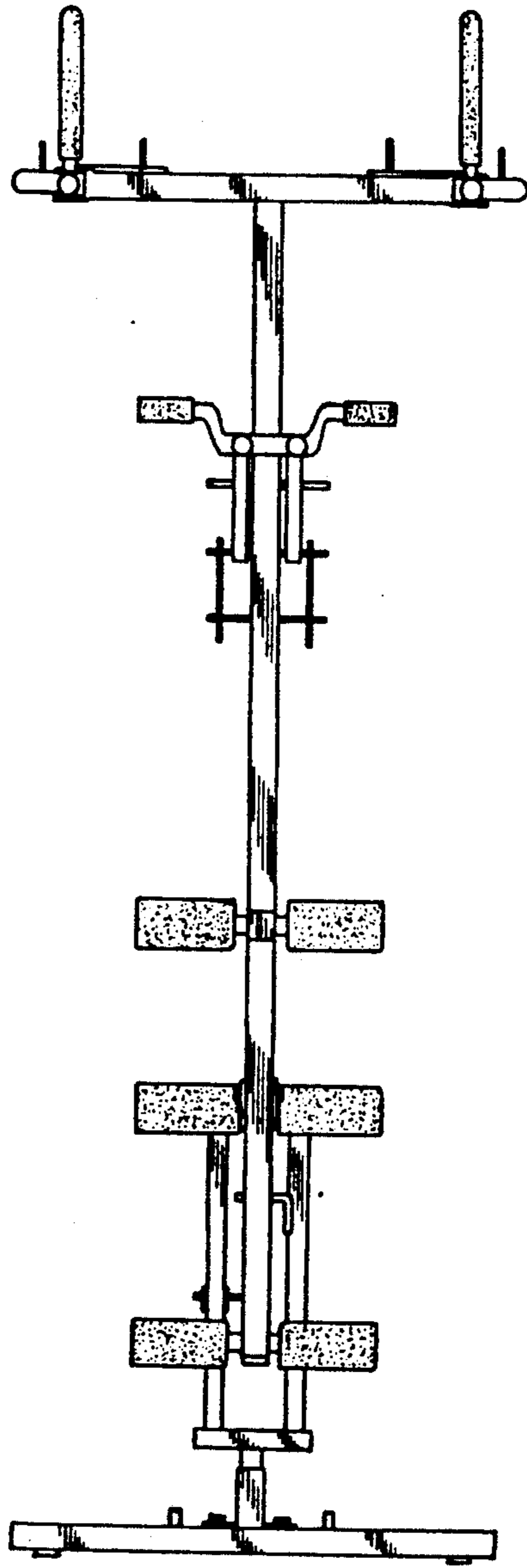


FIG. 4

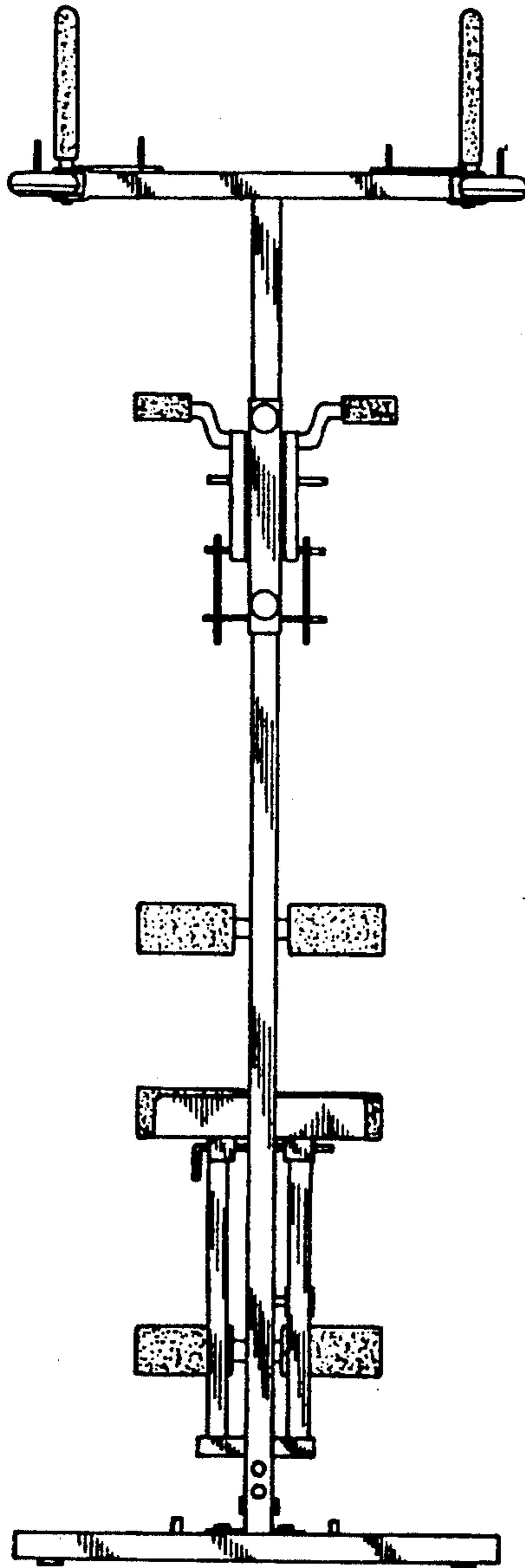


FIG. 5

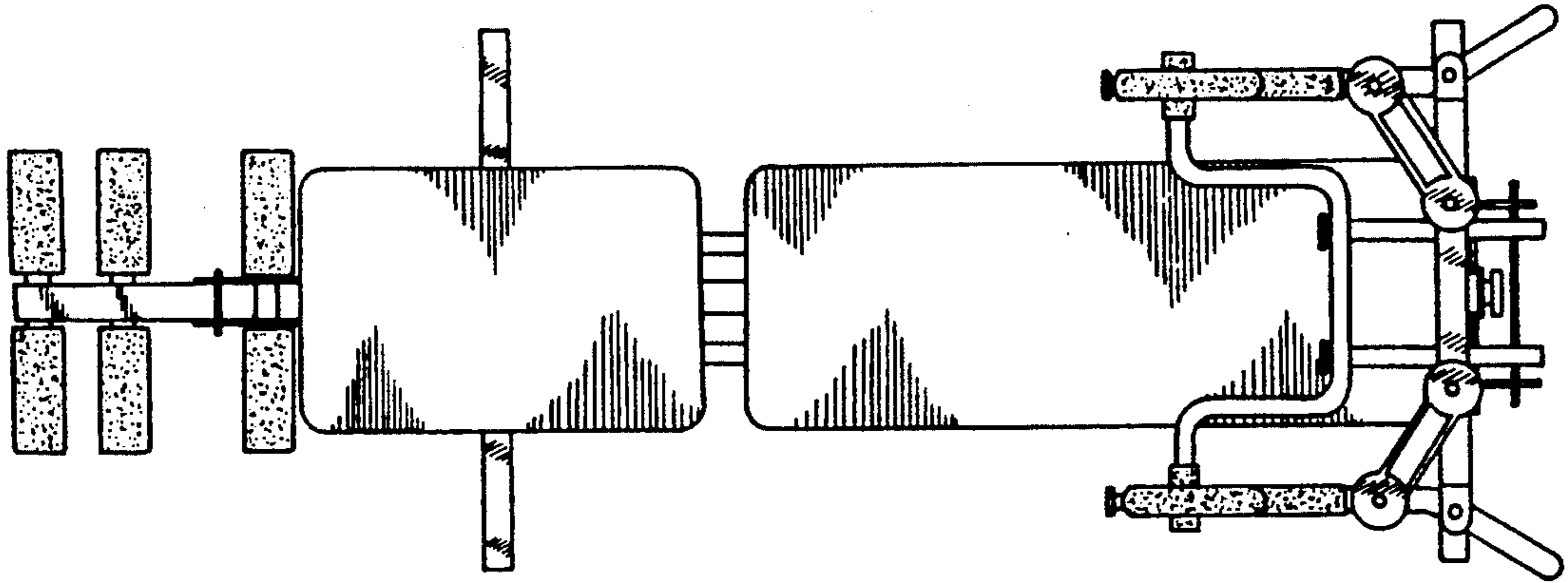


FIG. 6

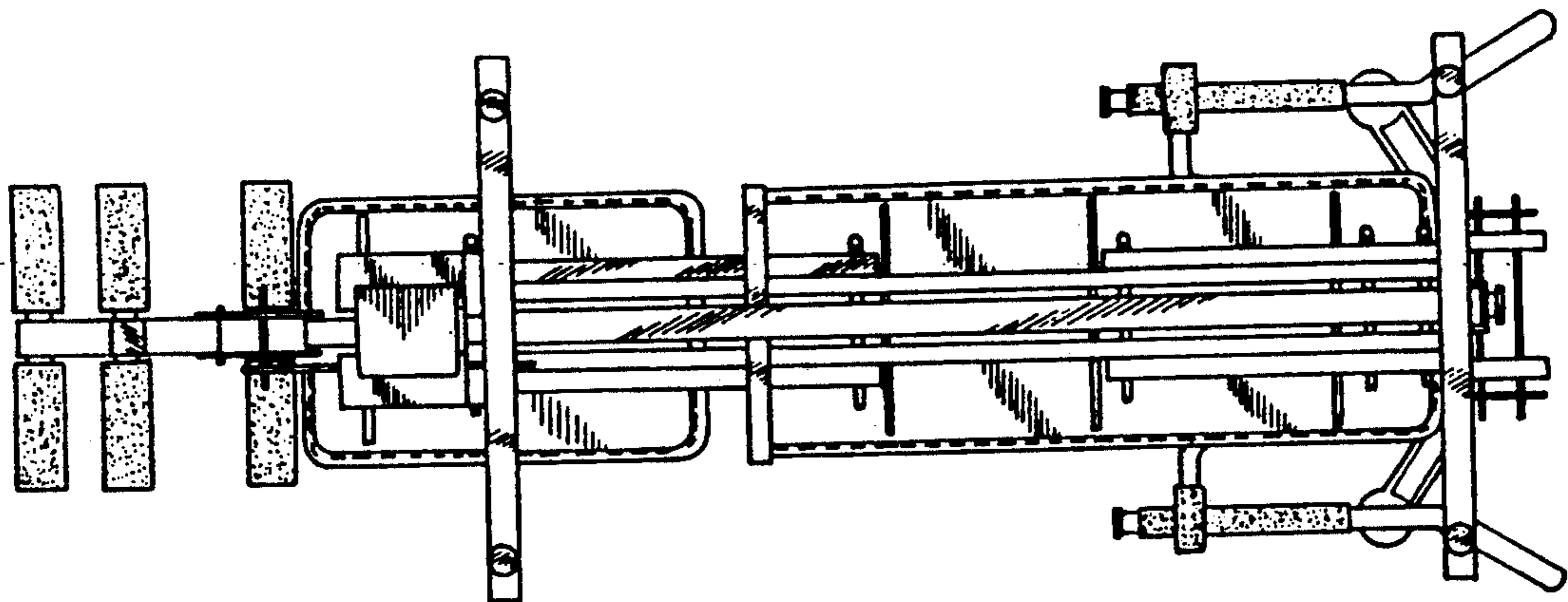


FIG. 7