



US00D329666S

# United States Patent [19]

[11] Patent Number: **Des. 329,666**

**Dougherty**

[45] Date of Patent: **\*\* Sep. 22, 1992**

[54] **GAME TARGET**

4,591,164 5/1986 Blight ..... 273/425  
4,982,966 1/1991 Teafatiller ..... 273/338

[76] Inventor: **Barry Dougherty**, 2241 Burloak Drive, RR #2, Burlington, Ontario, Canada, L7R 3X5

*Primary Examiner*—Bernard Ansher  
*Assistant Examiner*—Prabhakar Deshmukh  
*Attorney, Agent, or Firm*—Patrick J. Hofbauer

[\*\*] Term: **14 Years**

[57] **CLAIM**

[21] Appl. No.: **552,263**

The ornamental design for a game target, as shown and described.

[22] Filed: **Jul. 12, 1990**

[52] U.S. Cl. .... **D21/5**

**DESCRIPTION**

[58] Field of Search ..... **D9/5, 1, 2, 20;**  
273/317, 424, 425, 402, 467, 336, 348, 181 R,  
318, 323

FIG. 1 is a top perspective view of a game target showing my new design;

FIG. 2 is a top perspective view of a second embodiment of FIG. 1;

FIG. 3 is a bottom perspective view of FIG. 1;

FIG. 4 is a bottom plan view of FIG. 1;

FIG. 5 is a bottom perspective view of FIG. 2;

FIG. 6 is a bottom plan view of FIG. 2;

FIG. 7 is an elevational view of FIG. 1; and,

FIG. 8 is a top plan view of FIG. 1.

[56] **References Cited**

**U.S. PATENT DOCUMENTS**

D. 258,366	2/1981	Ward	.....	D21/5 X
D. 280,914	10/1985	Willis et al.	.....	D21/5
3,674,270	7/1972	Benjamin et al.	.....	273/400
3,822,063	7/1974	Rea	.....	273/400

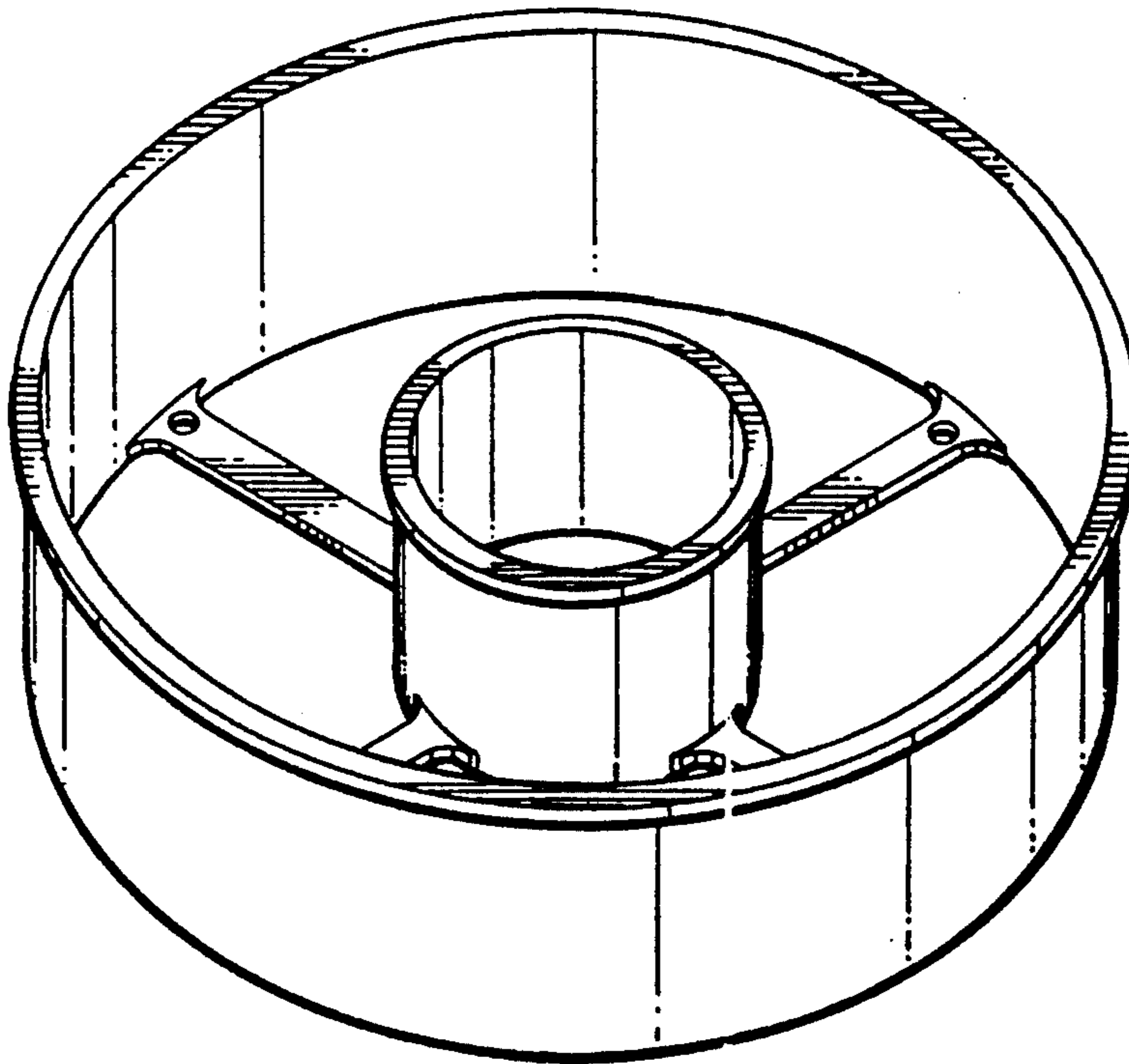


FIG. 1.

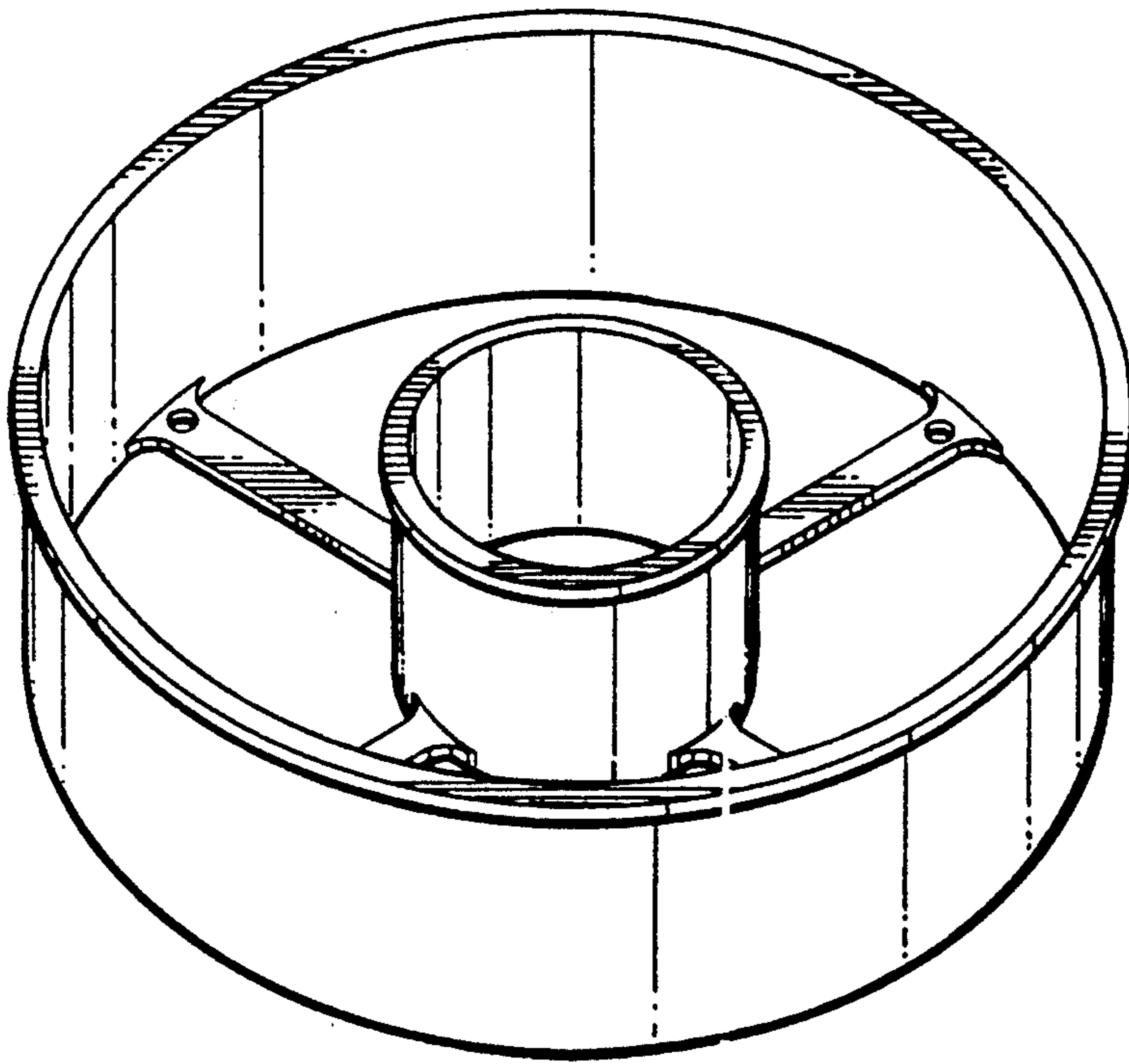


FIG. 2.

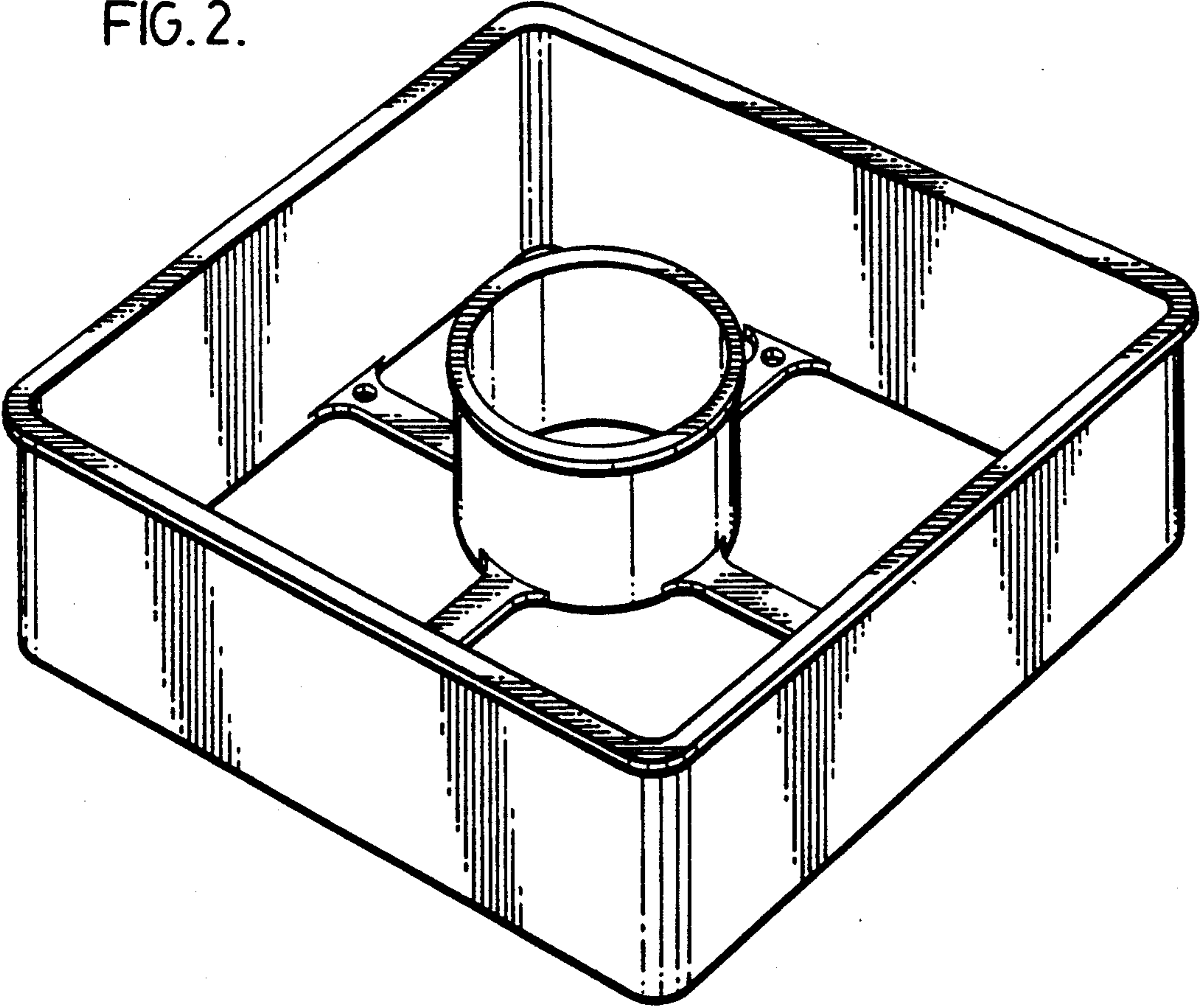


FIG.3.

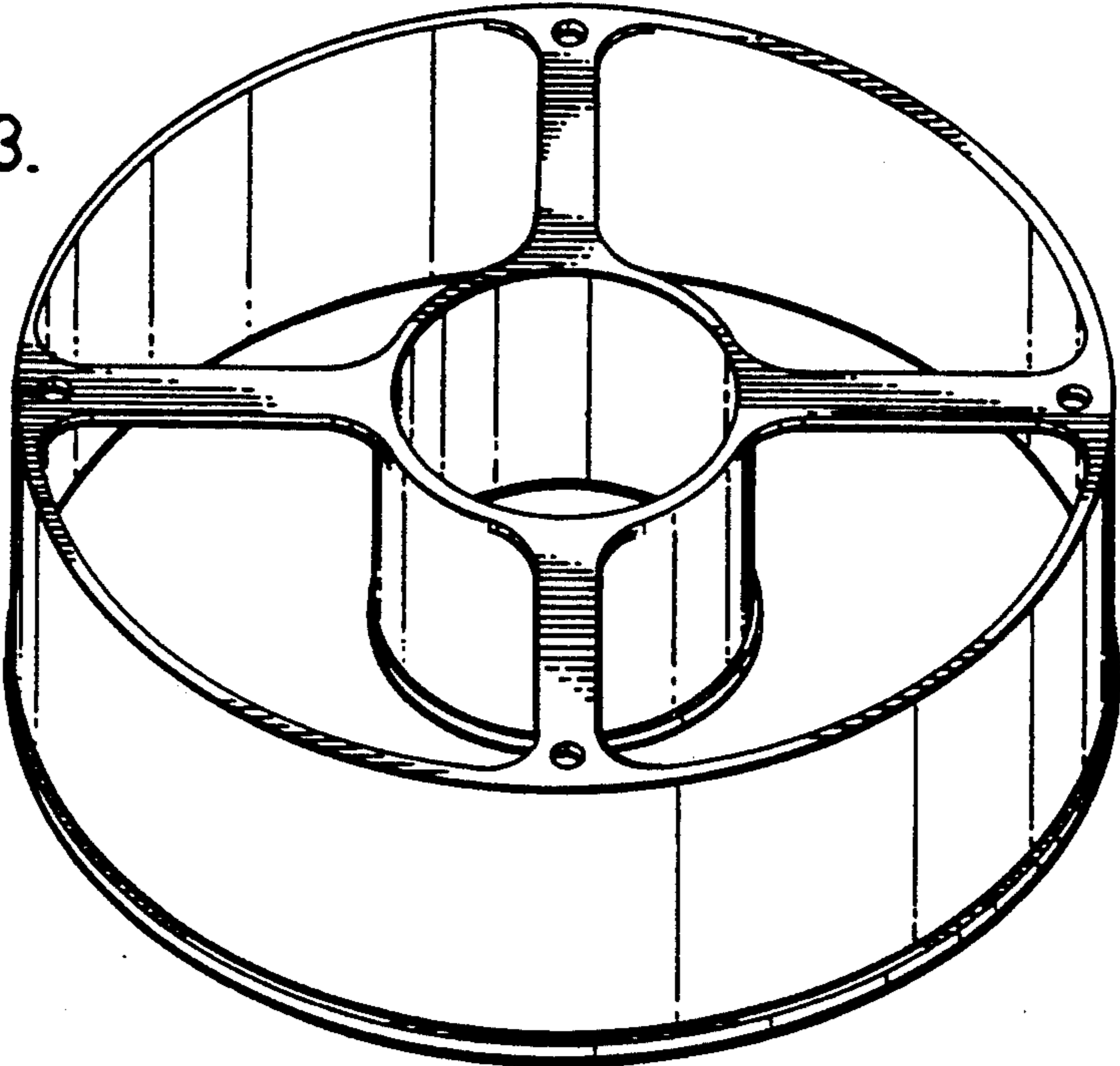


FIG.4.

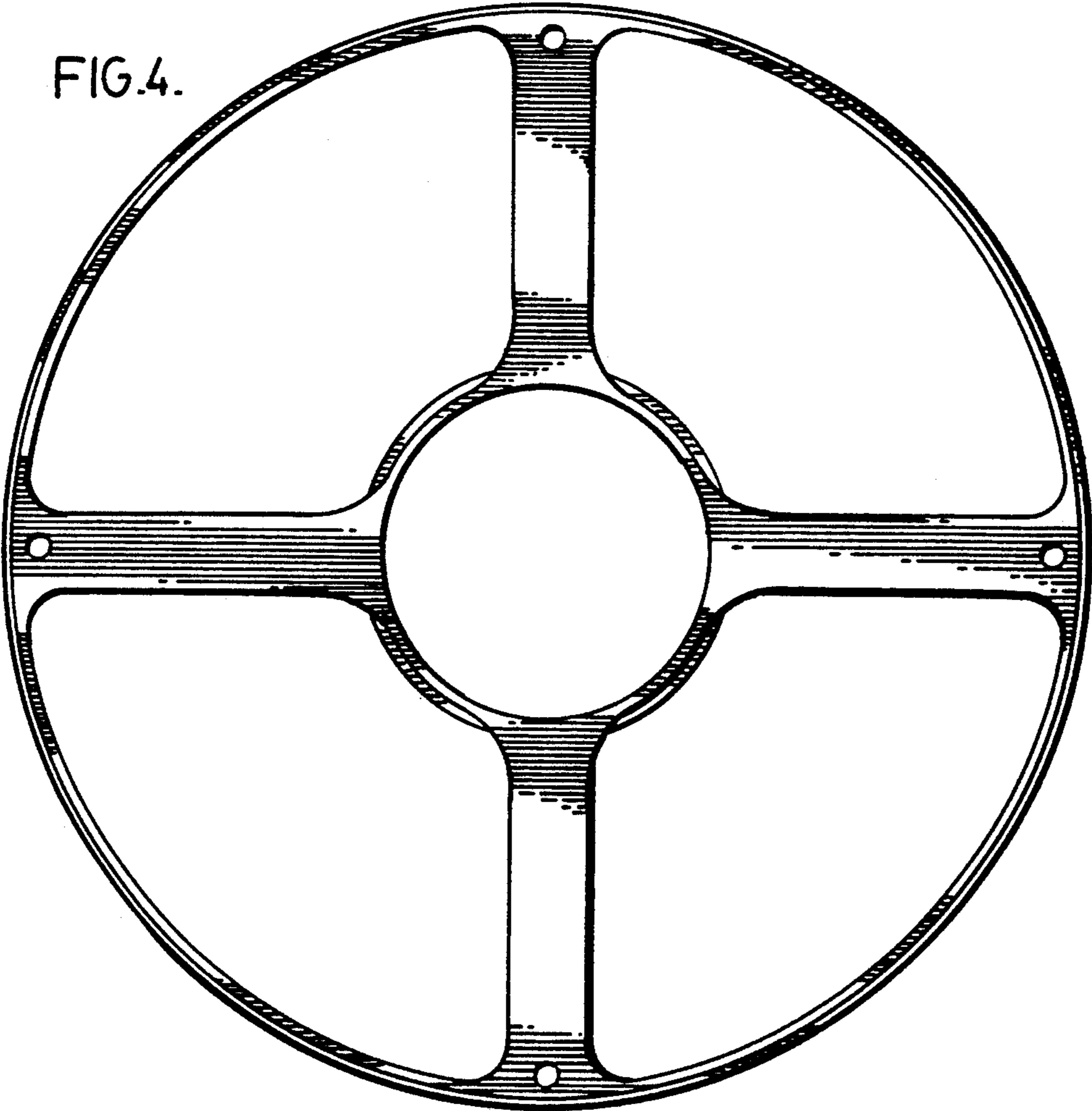


FIG. 5.

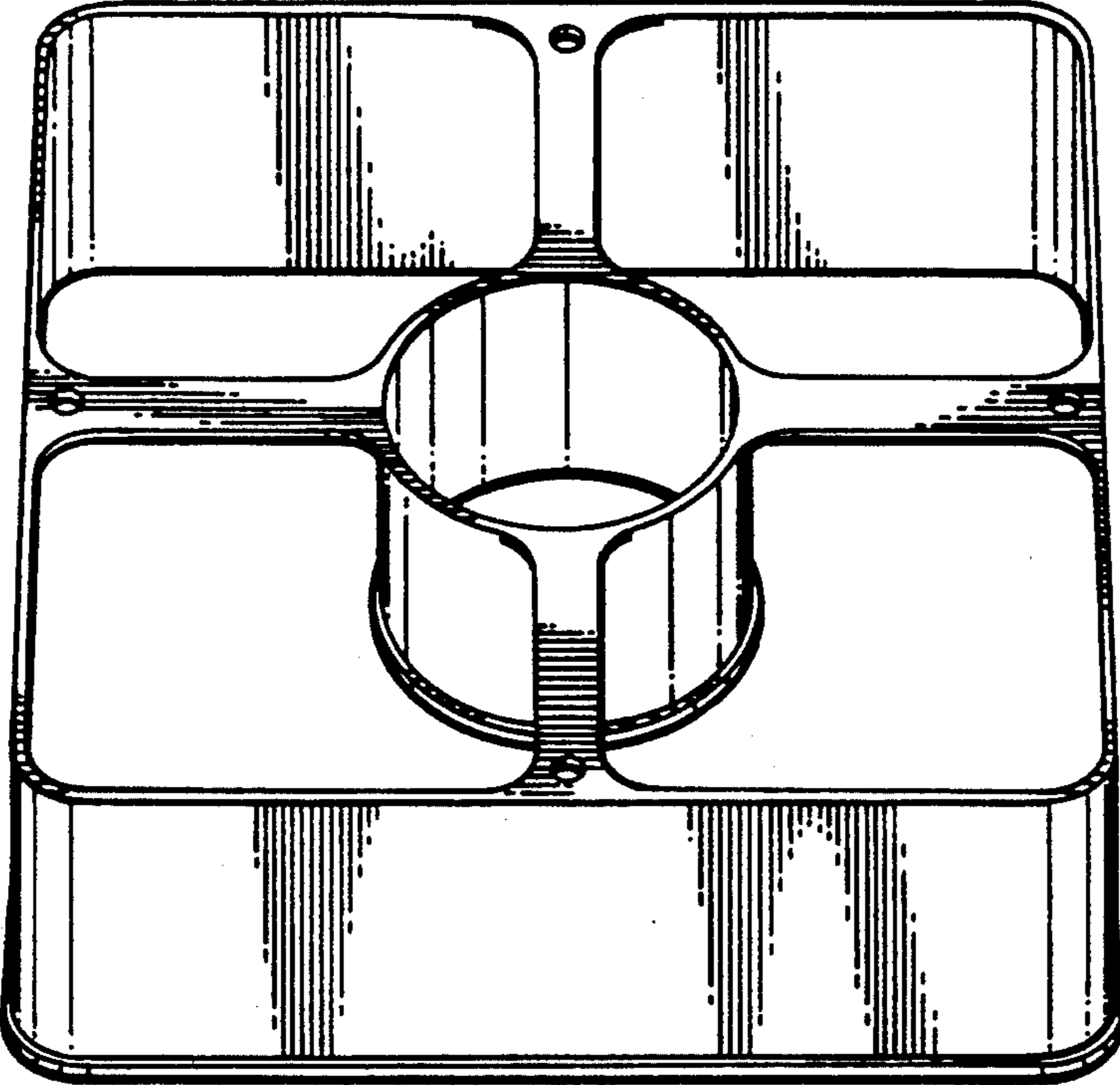


FIG. 6.

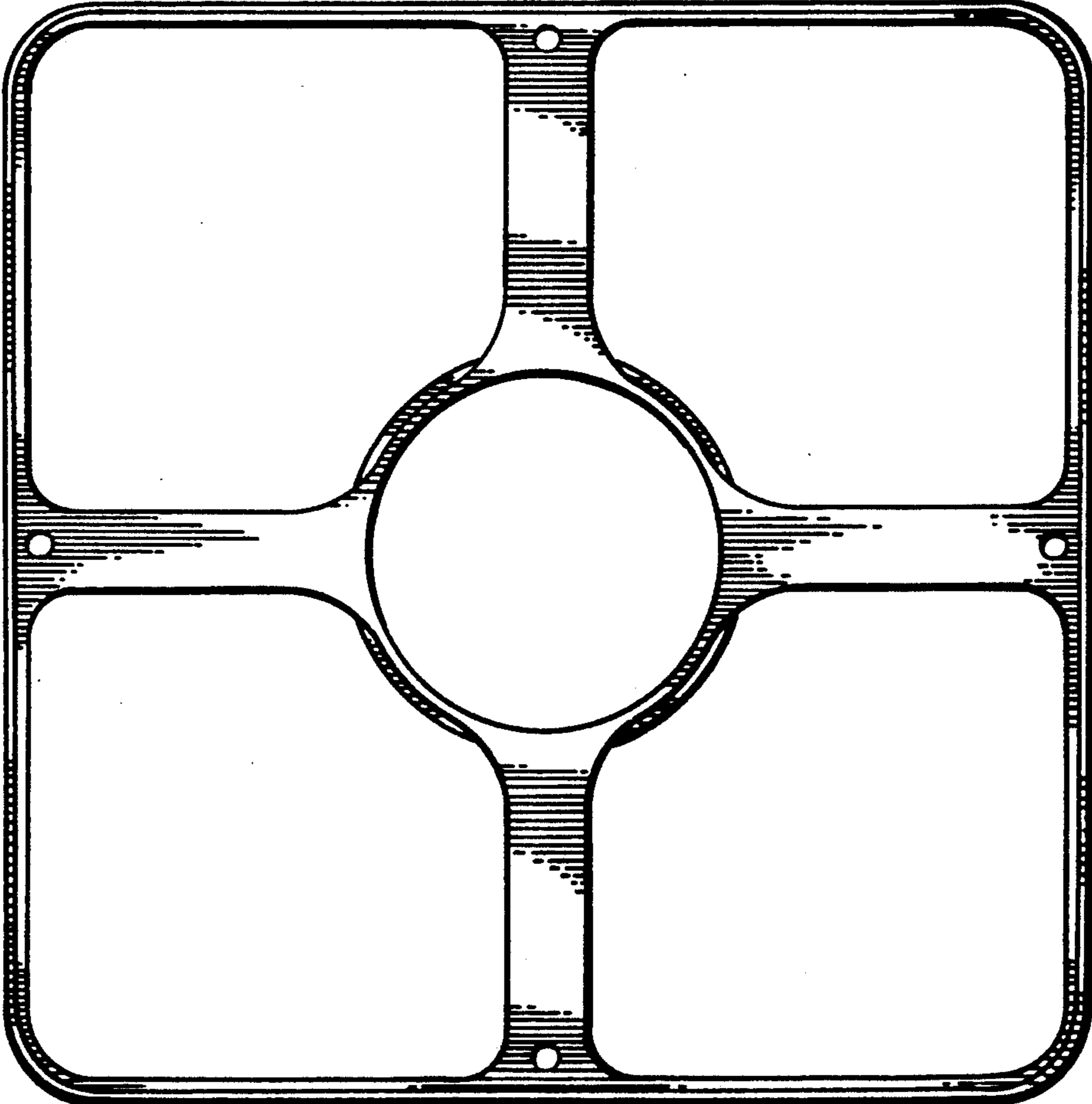


FIG. 7.

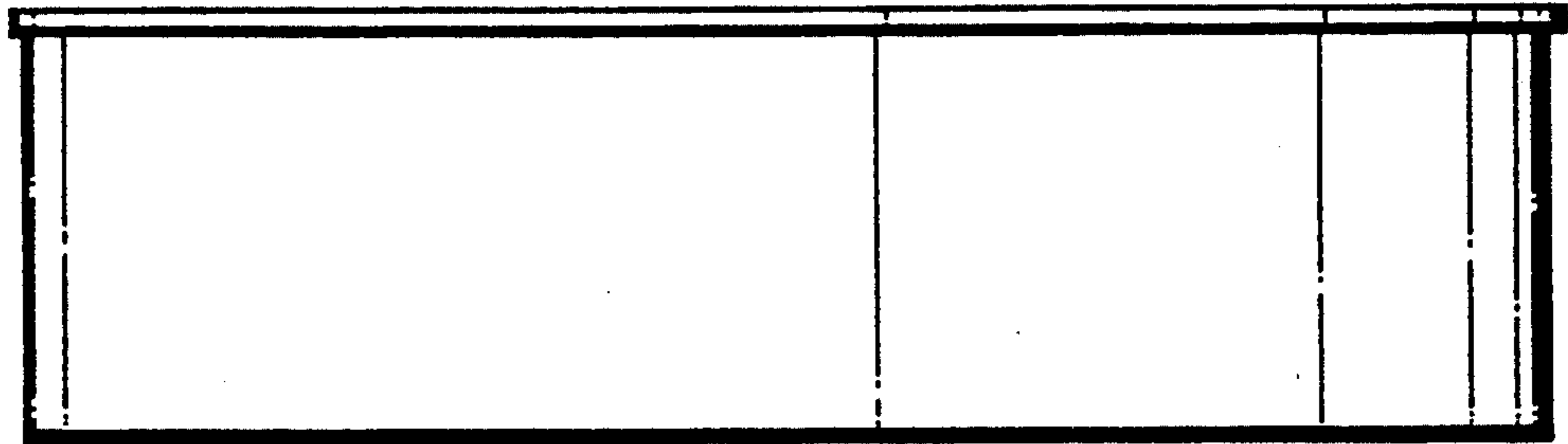


FIG. 8.

