



US00D329665S

United States Patent [19]
Carroll

[11] **Patent Number: Des. 329,665**
[45] **Date of Patent: ** Sep. 22, 1992**

[54] **COMBINED STAND AND TARGET FOR SHOOTING**

3,355,174 11/1967 Hutson 273/408
3,399,889 9/1968 Harry 273/407 X
4,691,625 9/1987 Scholem .

[76] **Inventor: James P. Carroll, 2333 S. Marion St., Denver, Colo. 80210**

[**] **Term: 14 Years**

[21] **Appl. No.: 522,237**

[22] **Filed: May 11, 1990**

[52] **U.S. Cl. D21/5**

[58] **Field of Search D21/5, 6; 273/407, 408, 273/409, 416, 181 R, 355; D27/115**

[56] **References Cited**

U.S. PATENT DOCUMENTS

D. 127,974	7/1941	Sargeant	D21/6
D. 238,440	1/1976	Scarloti	D21/5 X
D. 276,449	11/1984	Morrion et al.	D21/6
2,284,510	5/1941	Cates	.	
2,372,111	4/1942	Norberg	.	
2,538,118	1/1951	Miller	273/407
2,932,516	4/1960	Penner	273/407 X

OTHER PUBLICATIONS

The Way To Play, Paddington Press, Mar. 1976, as shown.

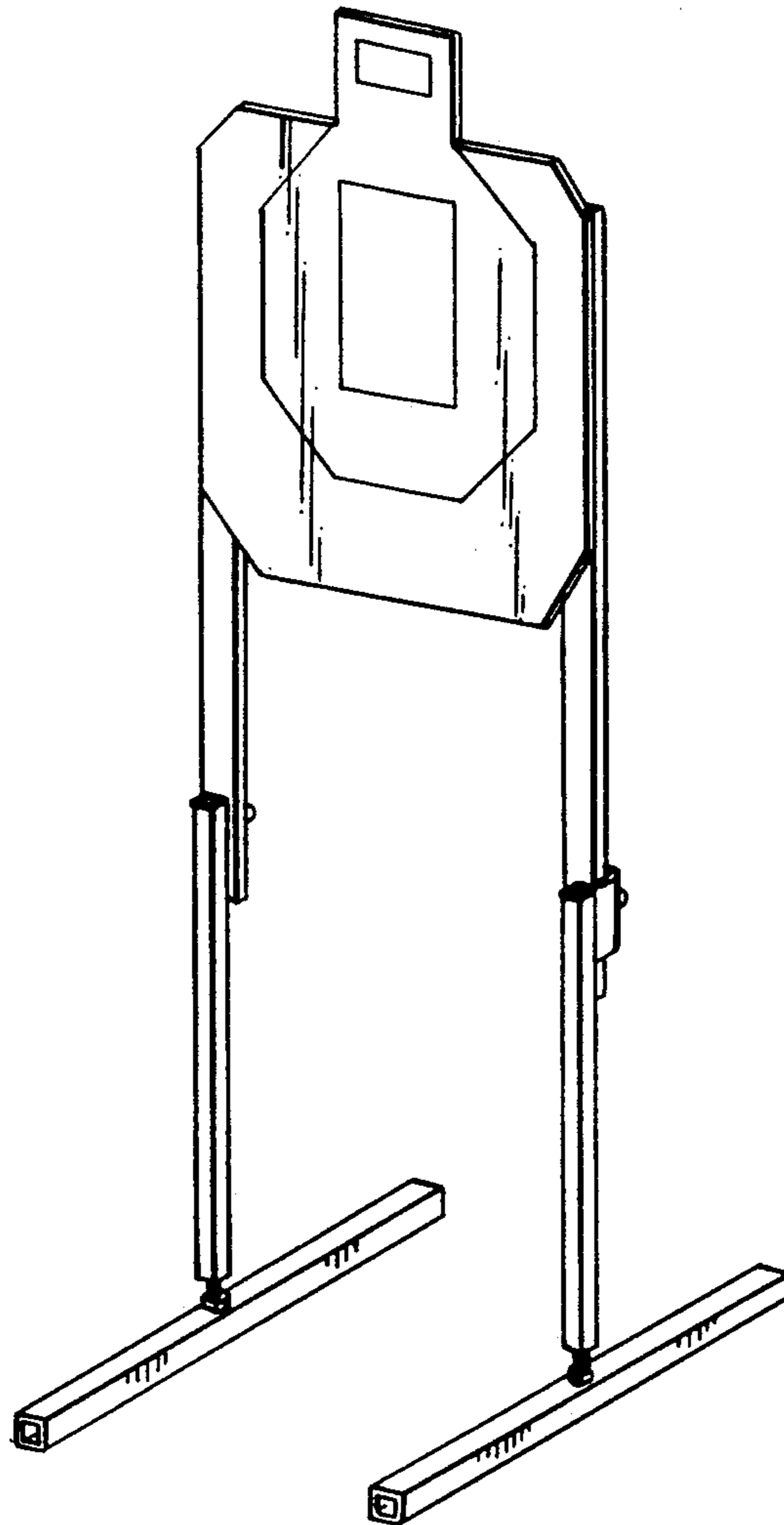
Primary Examiner—Bernard Ansher
Assistant Examiner—Prabhakar Deshmukh
Attorney, Agent, or Firm—Joseph J. Kelly

[57] **CLAIM**

The ornamental design for a combined stand and target for shooting, shown and described.

DESCRIPTION

FIG. 1 is a perspective view of a combined stand and target for shooting showing my new design; FIG. 2 is a front elevational view thereof; FIG. 3 is a right side elevational view thereof; the left side elevational view being a mirror image thereof; and, FIG. 4 is a top plan view thereof. The rear side is plain and unornamented.



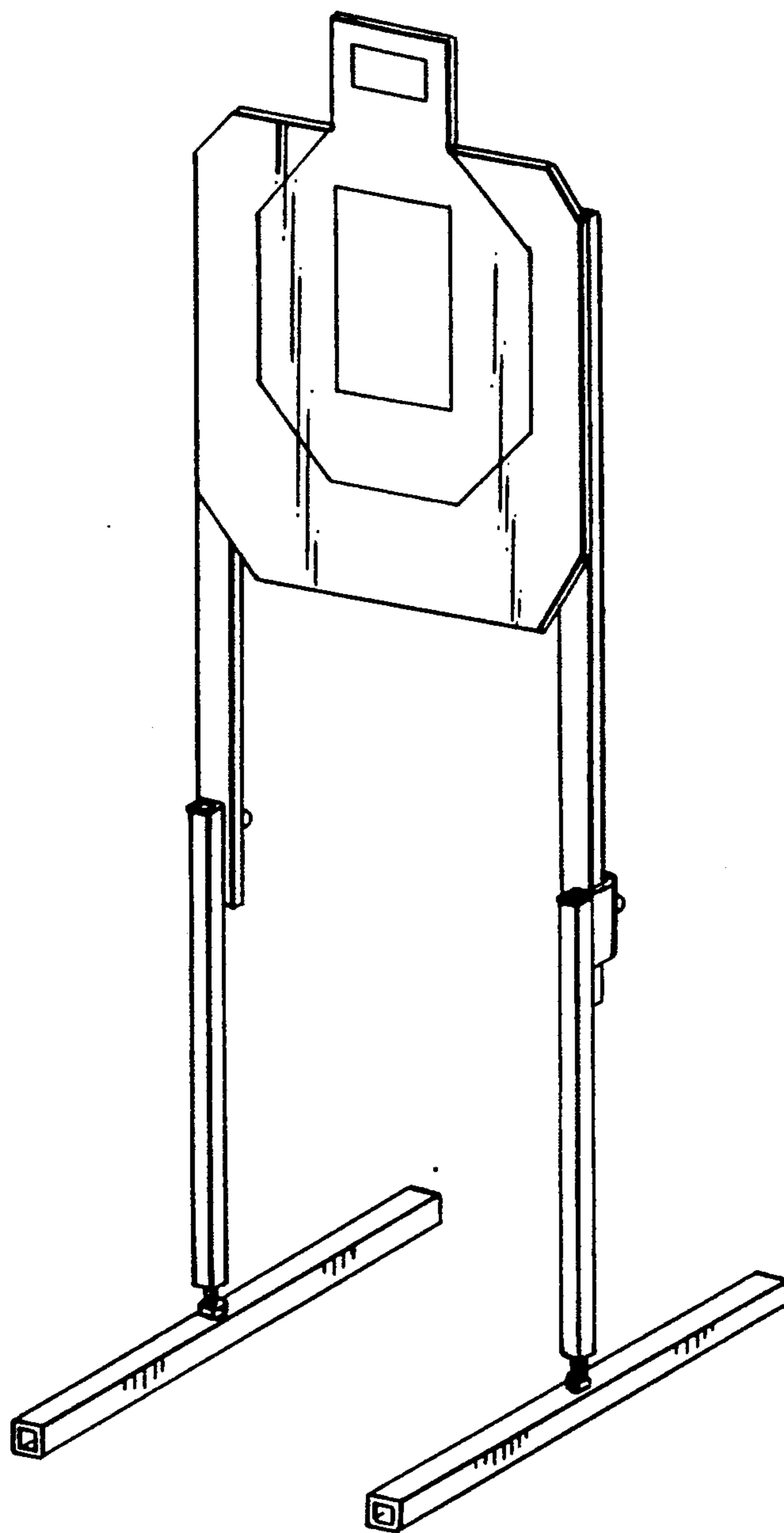


FIG. 1

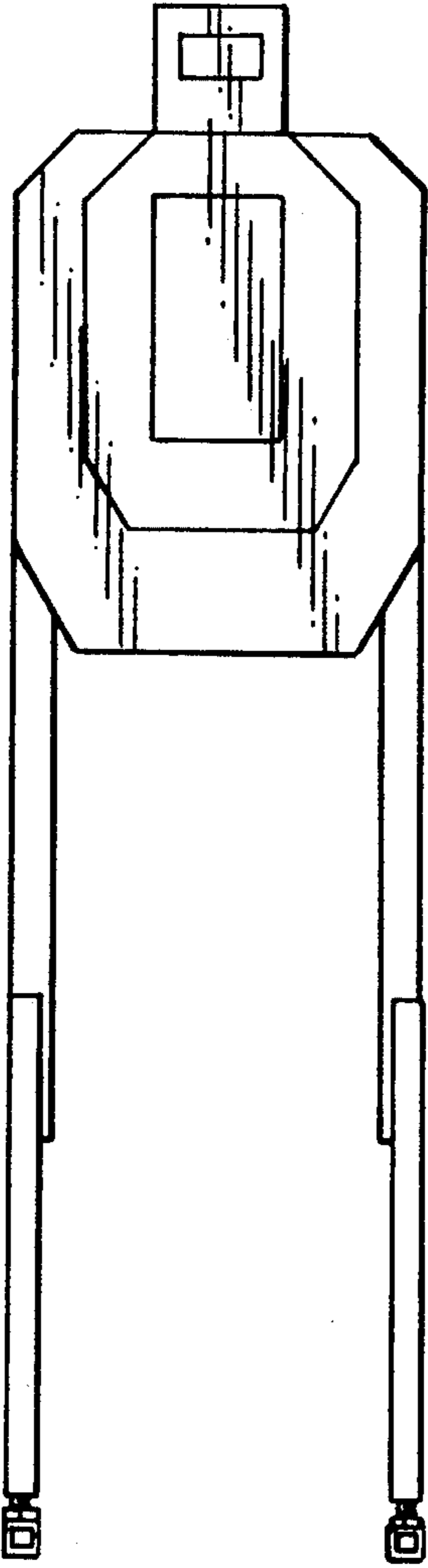


FIG. 2

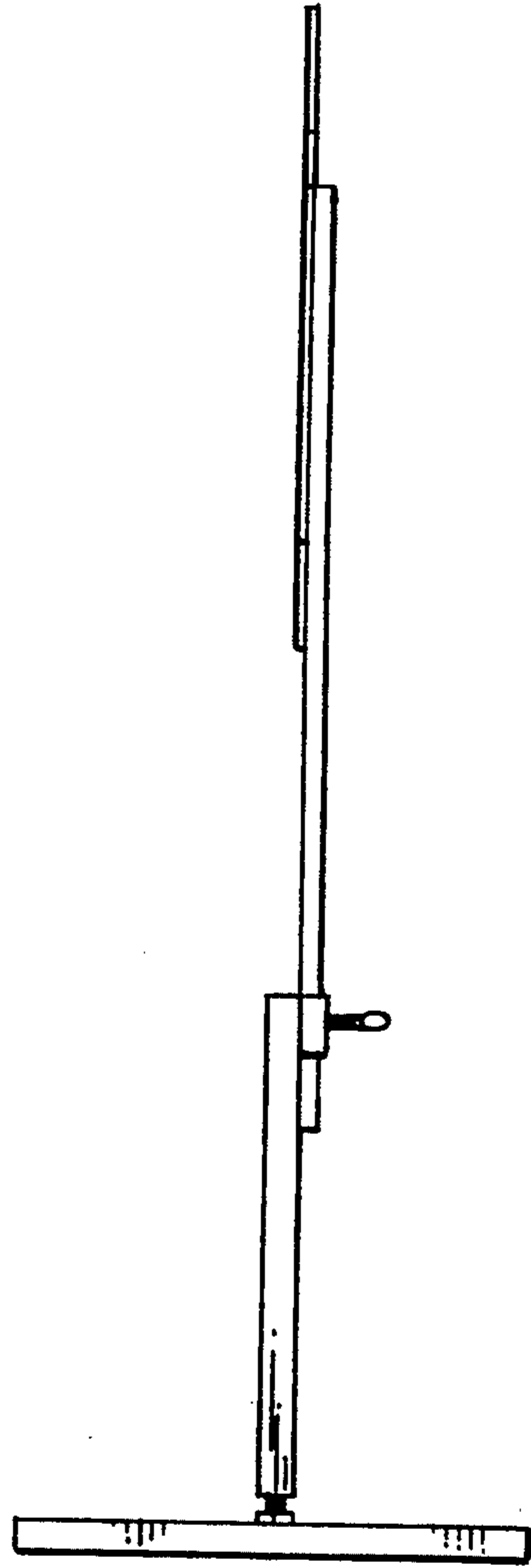


FIG. 3

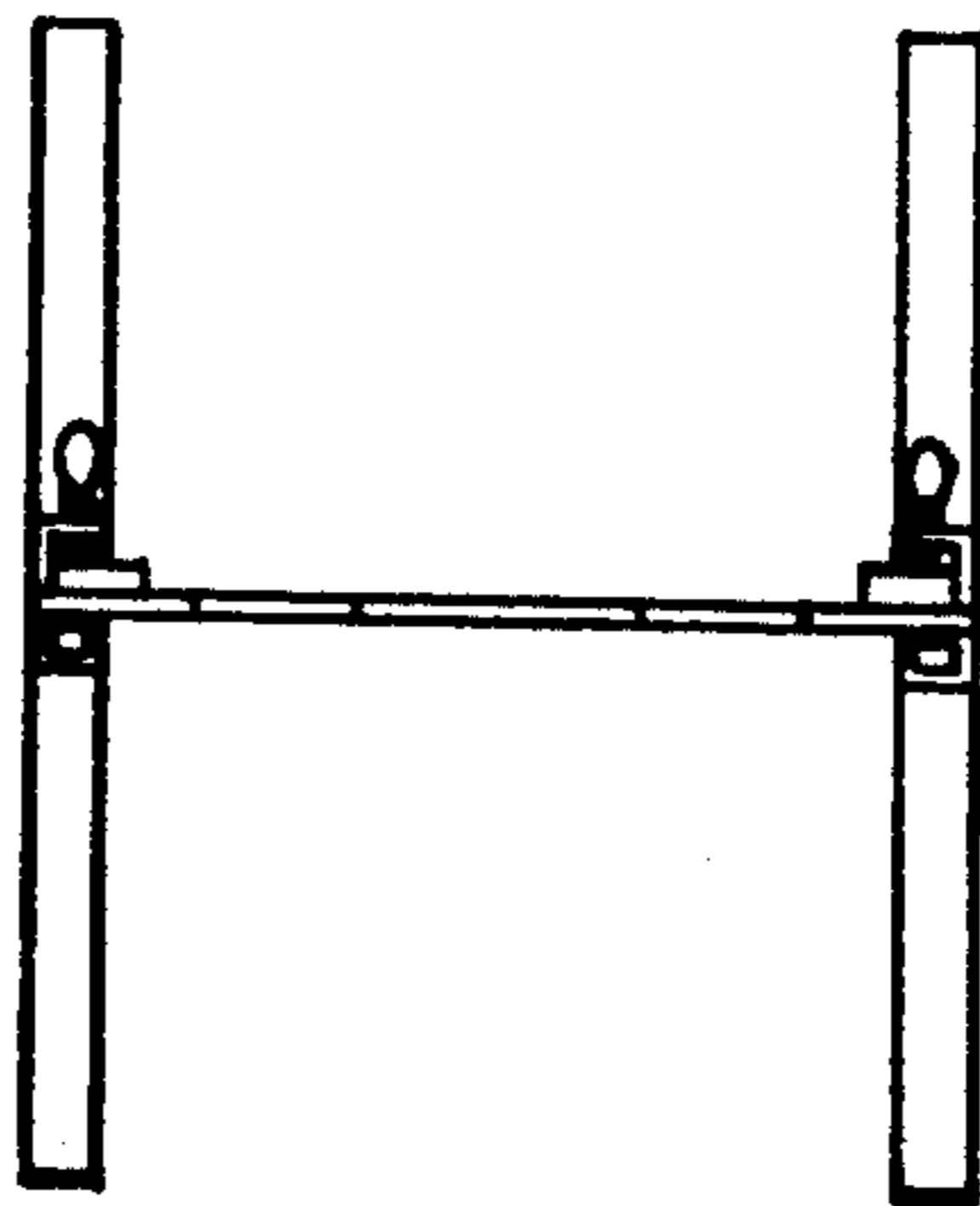


FIG. 4